



US00D468764S

(12) **United States Design Patent**
Miyahara et al.

(10) **Patent No.:** **US D468,764 S**

(45) **Date of Patent:** **** Jan. 14, 2003**

(54) **COMPUTER PRINTER**

(75) Inventors: **Kazuhiko Miyahara**, Yokohama (JP);
Toshimi Chiba, Chigasaki (JP); **Toru Shinano**, Yokohama (JP)

(73) Assignee: **Canon Kabushiki Kaisha**, Tokyo (JP)

(**) Term: **14 Years**

(21) Appl. No.: **29/151,707**

(22) Filed: **Dec. 11, 2001**

(30) **Foreign Application Priority Data**

Jun. 27, 2001 (JP) 2001-018720

(51) **LOC (7) Cl.** **14-02**

(52) **U.S. Cl.** **D18/54**

(58) **Field of Search** D18/50, 54-55,
D18/54.1, 36-38; 400/613, 613.1-613.4,
690.1-690.4, 691-694

(56) **References Cited**

U.S. PATENT DOCUMENTS

- D343,637 S * 1/1994 Umino et al. D18/55
- D344,754 S * 3/1994 Parsey D18/55
- D364,420 S * 11/1995 Kawashima D18/54
- D371,158 S * 6/1996 Yoshida D18/50
- D373,380 S * 9/1996 Dwyer et al. D18/55

- D376,615 S * 12/1996 Dubson D18/50
- D379,827 S * 6/1997 Andre D18/54
- D379,828 S * 6/1997 Dubson D18/55
- D384,969 S * 10/1997 Inoue et al. D18/54
- D433,443 S 11/2000 Ito et al. D18/55
- D435,266 S 12/2000 Sekine et al. D18/55
- D439,275 S * 3/2001 Ohashi D18/55
- D439,607 S 3/2001 Inoue et al. D18/54

* cited by examiner

Primary Examiner—Cathy Anne MacCormac

(74) *Attorney, Agent, or Firm*—Fitzpatrick, Cella, Harper & Scinto

(57) **CLAIM**

The ornamental design for a computer printer, as shown and described.

DESCRIPTION

FIG. 1 is a front view of a computer printer showing our new design;

FIG. 2 is a rear view thereof;

FIG. 3 is a top plan view thereof;

FIG. 4 is a bottom plan view thereof;

FIG. 5 is a left side view thereof;

FIG. 6 is a right side view thereof; and,

FIG. 7 is a perspective view thereof.

1 Claim, 6 Drawing Sheets

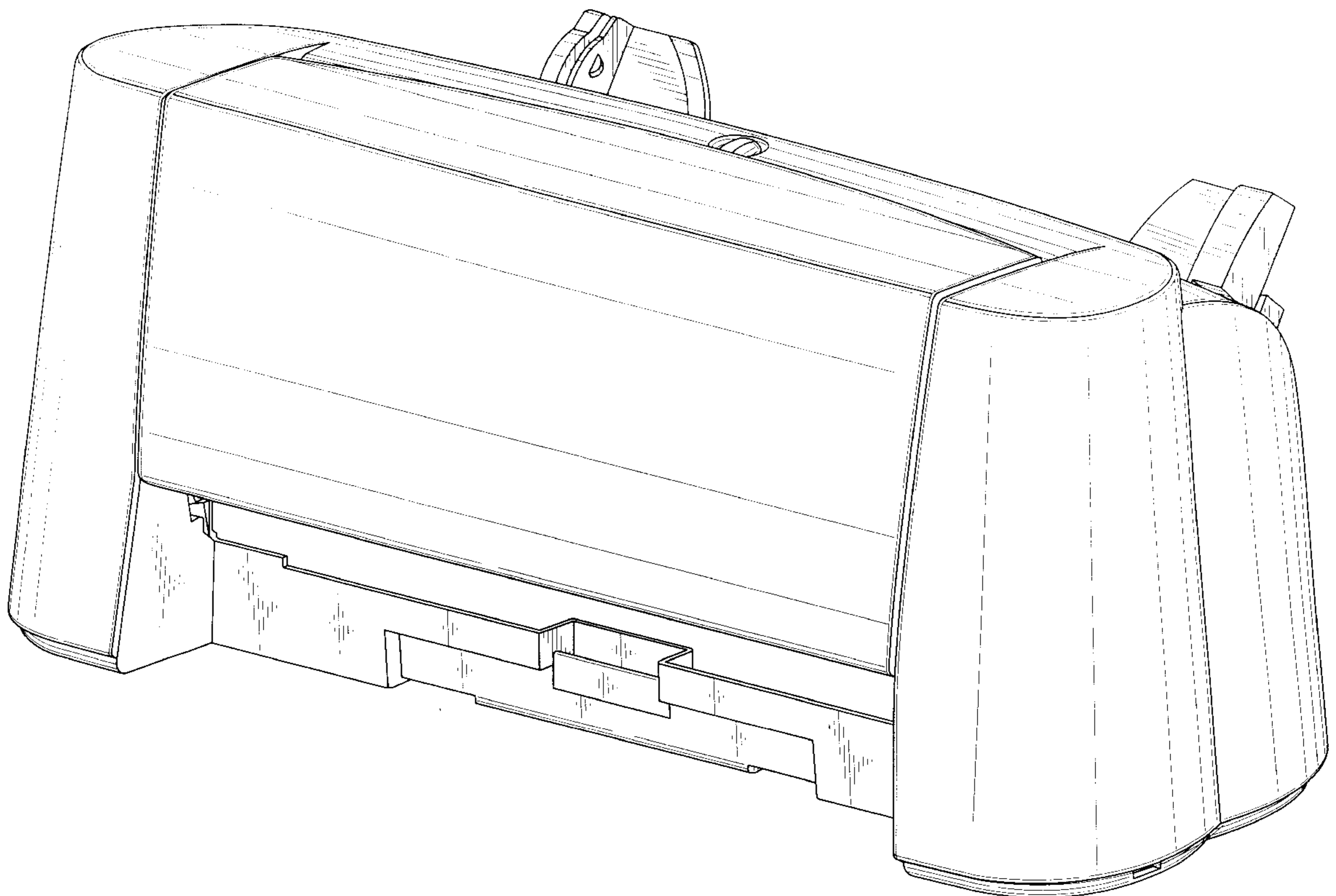


FIG. 1

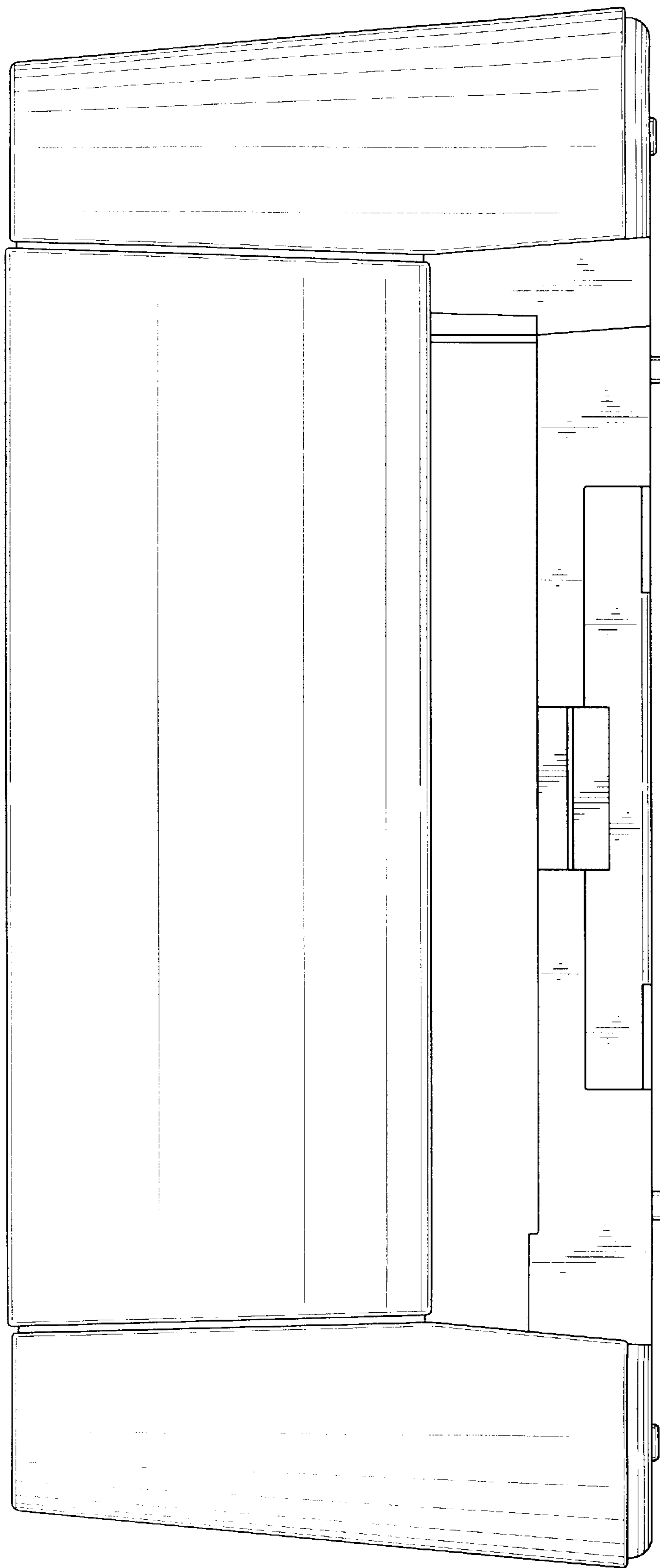


FIG. 2



FIG. 3

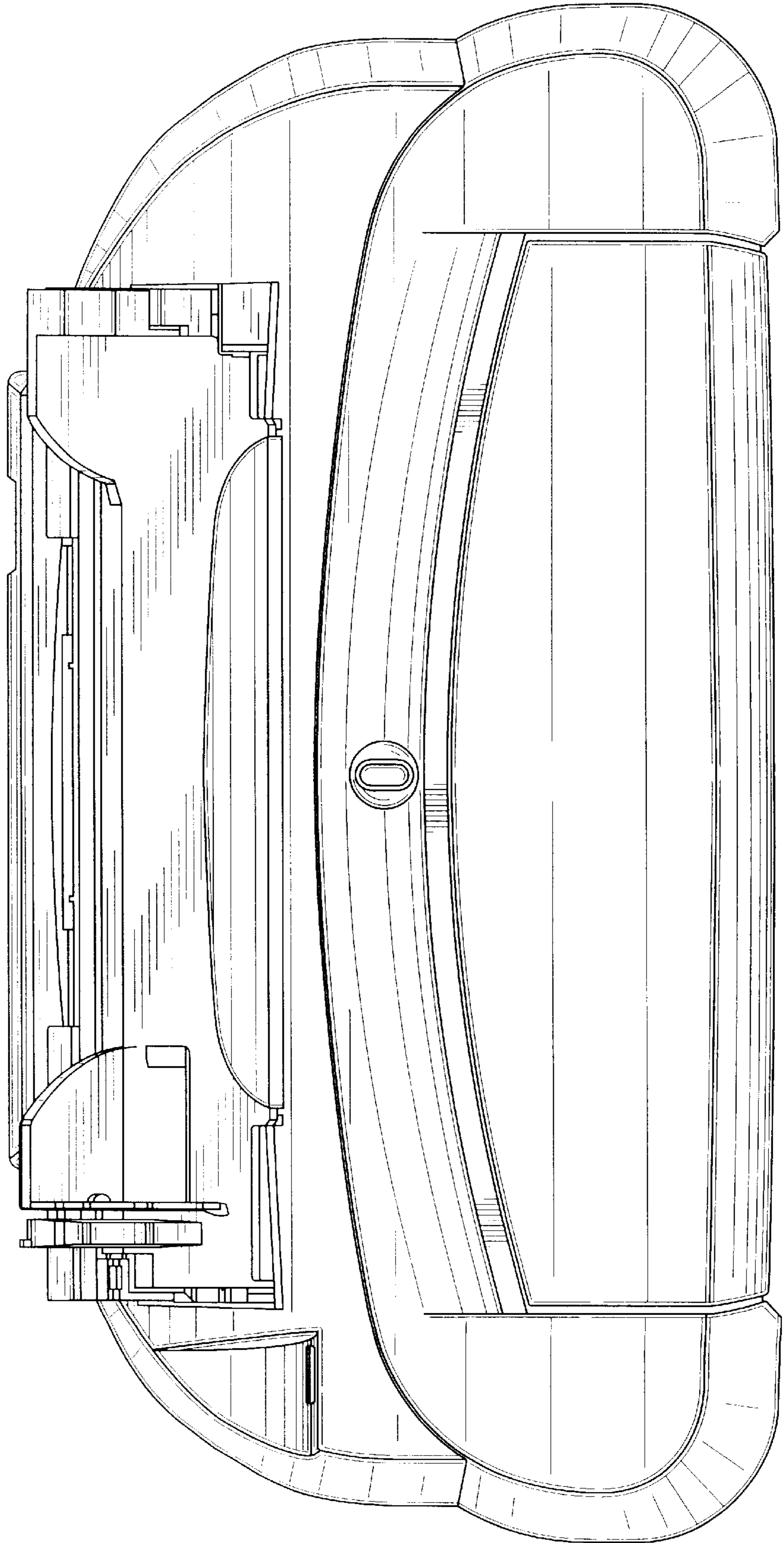


FIG. 4

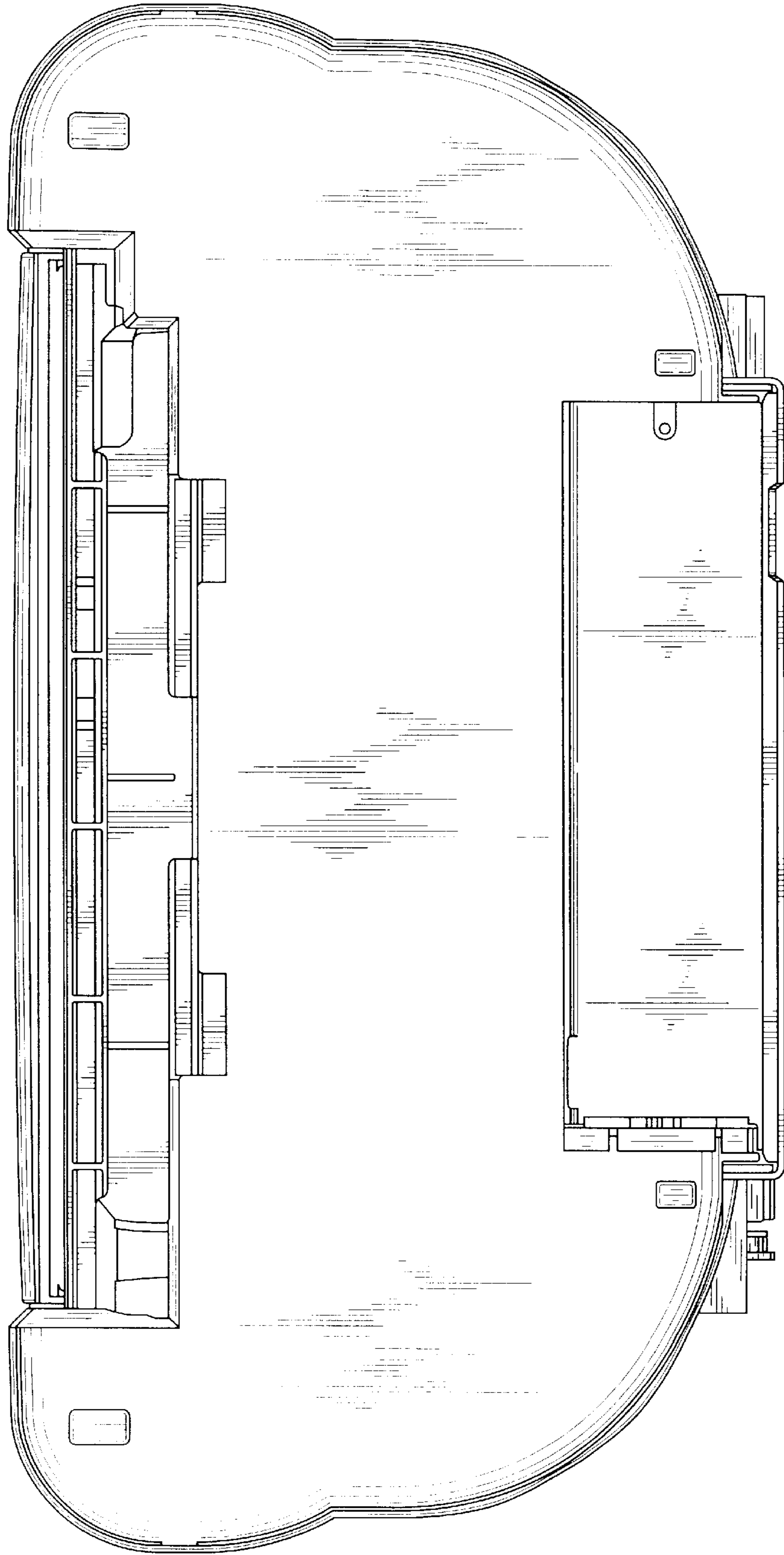


FIG. 5

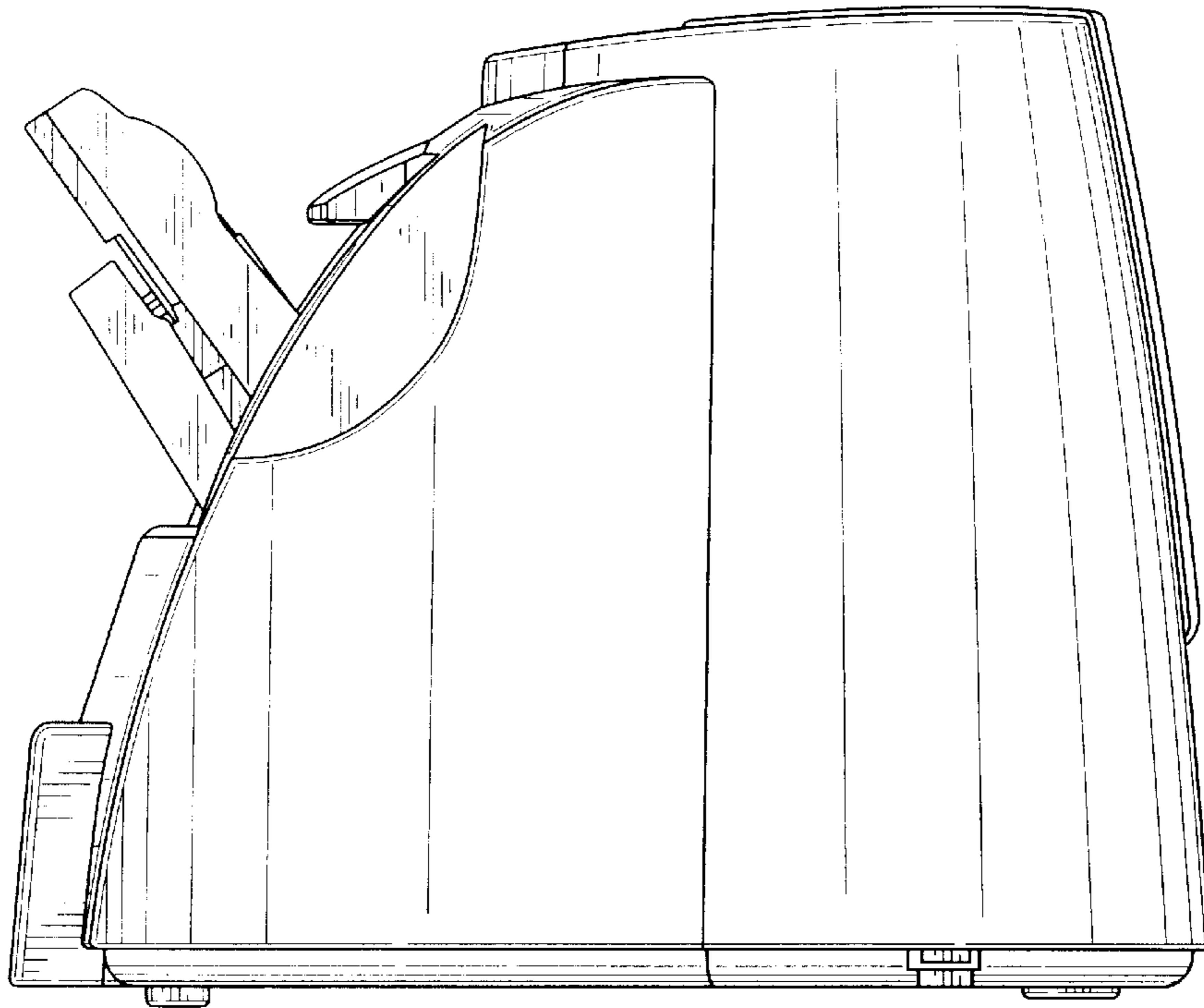


FIG. 6

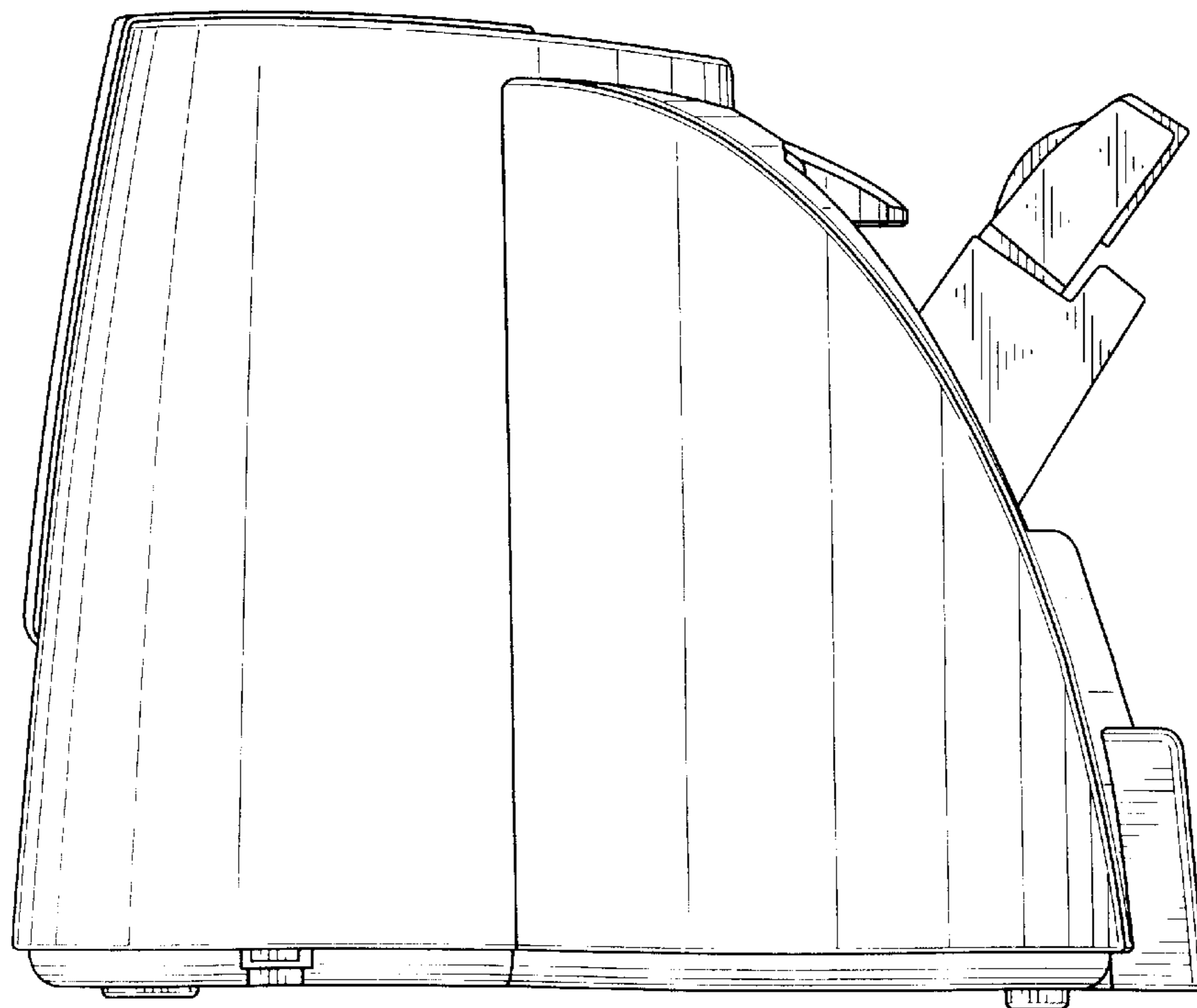


FIG. 7

