



US00D468763S

(12) **United States Design Patent**
Kunihiro et al.

(10) **Patent No.:** **US D468,763 S**
(45) **Date of Patent:** **** Jan. 14, 2003**

(54) **SENSITIVE DRUM CARTRIDGE FOR AN IMAGE FORMING APPARATUS**

D310,539 S * 9/1990 Komada et al. D18/40
D378,829 S * 4/1997 Aoyama et al. D18/40
D383,159 S * 9/1997 Yoshikado D18/56
D442,215 S * 5/2001 Fujita D18/43

(75) Inventors: **Hisashi Kunihiro**, Nara-ken (JP);
Hiroshi Tanisawa, Nara-ken (JP);
Takeshi Wakabayashi, Kyoto-fu (JP);
Hiroshi Kawahito, Nara-ken (JP);
Fumito Mizoguchi, Nara-ken (JP);
Hiroshi Kubota, Osaka-fu (JP)

* cited by examiner

Primary Examiner—Caron D. Veynar
(74) *Attorney, Agent, or Firm*—Nixon & Vanderhye

(73) Assignee: **Sharp Kabushiki Kaisha**, Osaka (JP)

(57) **CLAIM**

(**) Term: **14 Years**

The ornamental design for a “sensitive drum cartridge for an image forming apparatus”, as shown and described.

(21) Appl. No.: **29/149,982**

DESCRIPTION

(22) Filed: **Oct. 26, 2001**

(30) **Foreign Application Priority Data**

May 10, 2001 (JP) 2001-013339

FIG. 1 is a top, front and right side perspective view of a sensitive drum cartridge for an image forming apparatus according to our design;

(51) **LOC (7) Cl.** **16-03**

FIG. 2 is a front elevational view thereof;

(52) **U.S. Cl.** **D18/40**

FIG. 3 is a rear elevational view thereof;

(58) **Field of Search** D18/40, 43, 56;
399/24–28, 31–33, 66, 67, 99–101, 110–117,
262, 310, 311, 320; 222/DIG. 1

FIG. 4 is a left side elevational view thereof;

FIG. 5 is a right side elevational view thereof;

FIG. 6 is a top plan view thereof; and,

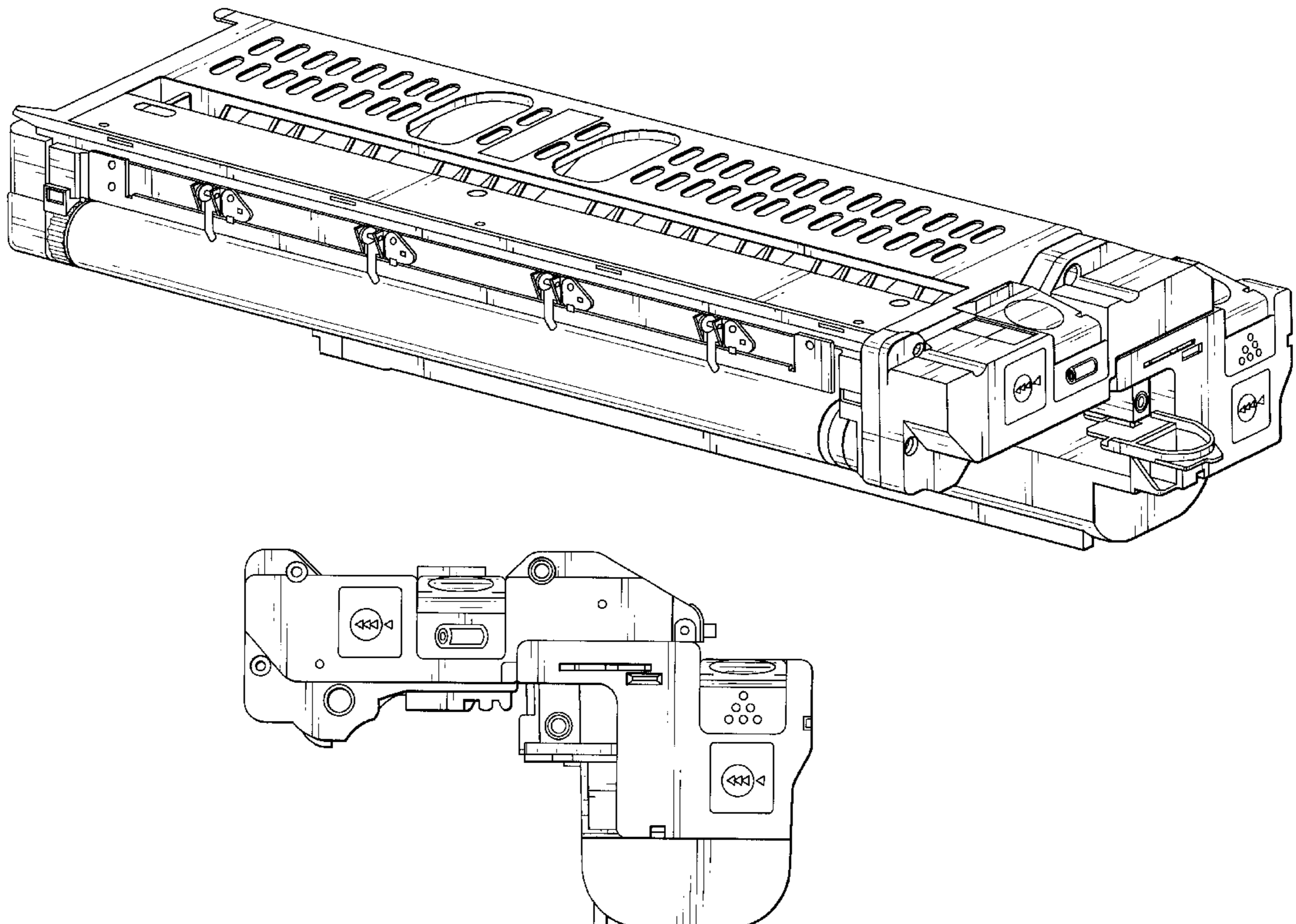
FIG. 7 is a bottom plan view thereof.

(56) **References Cited**

U.S. PATENT DOCUMENTS

D298,336 S * 11/1988 Masaki D18/43

1 Claim, 6 Drawing Sheets



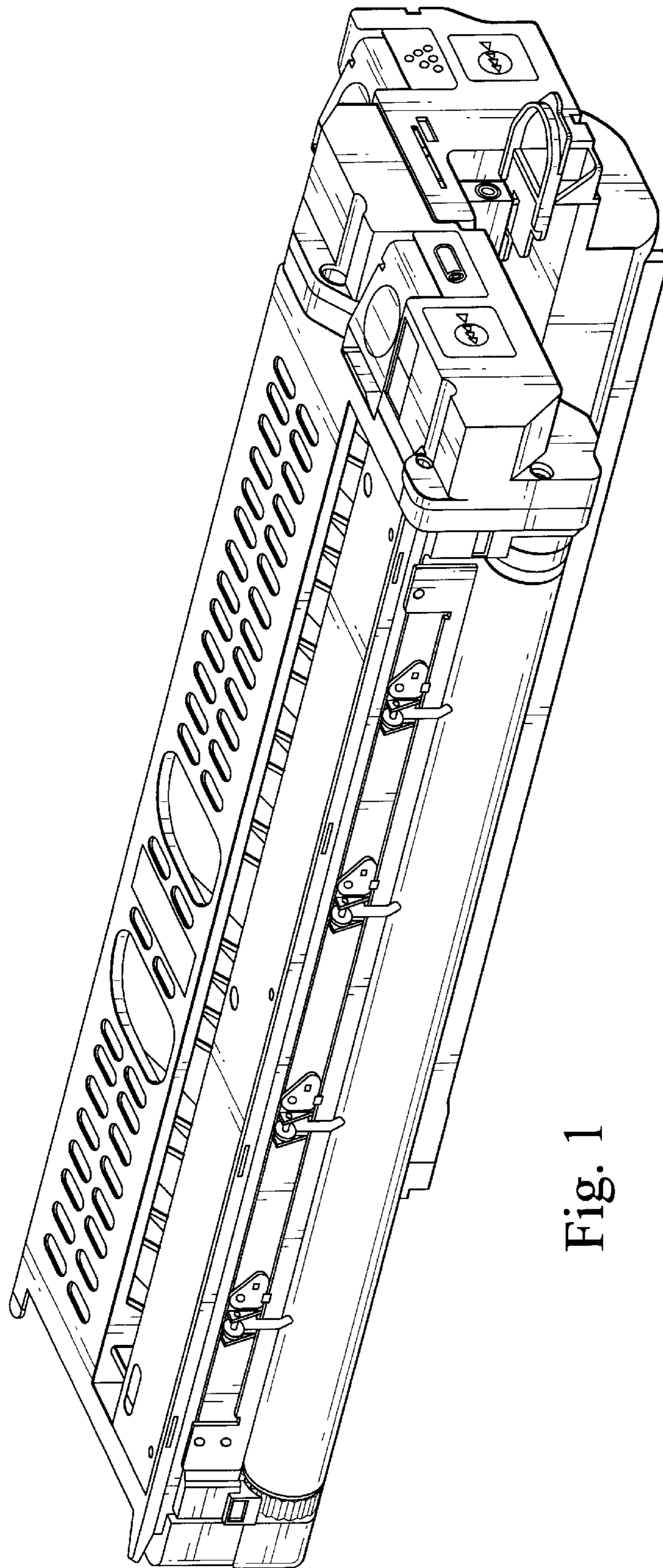


Fig. 1

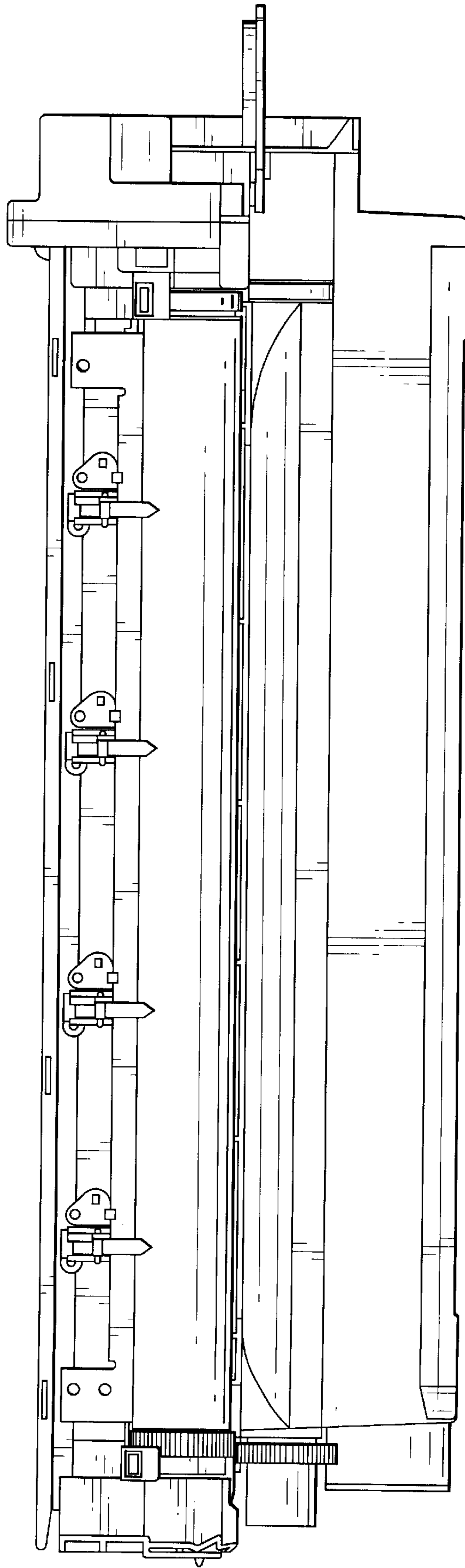


Fig. 2

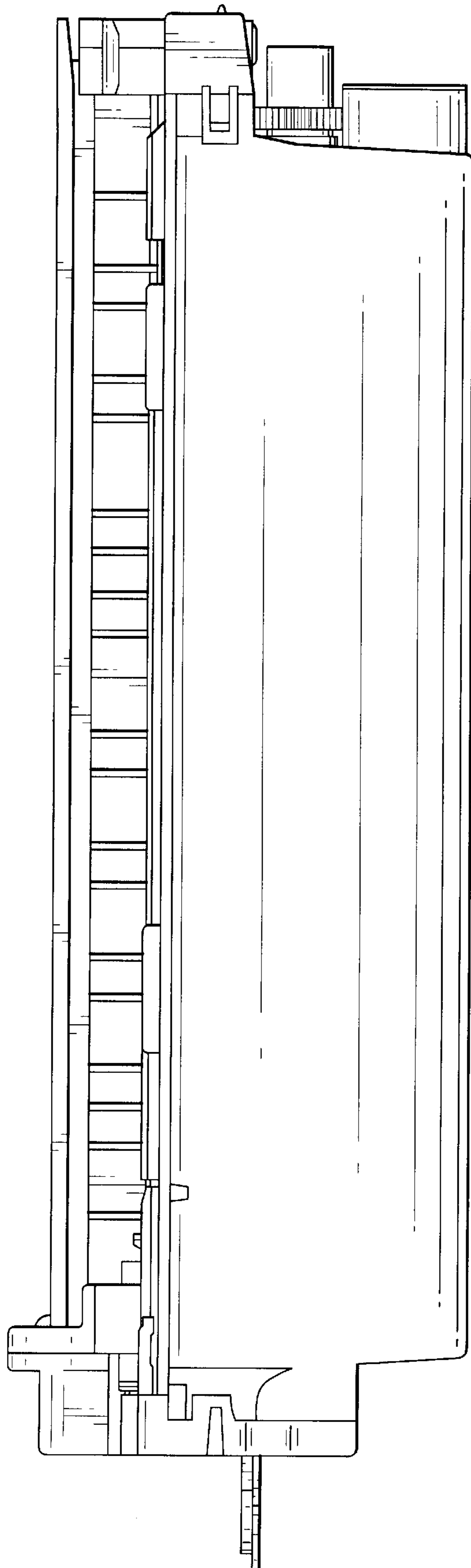


Fig. 3

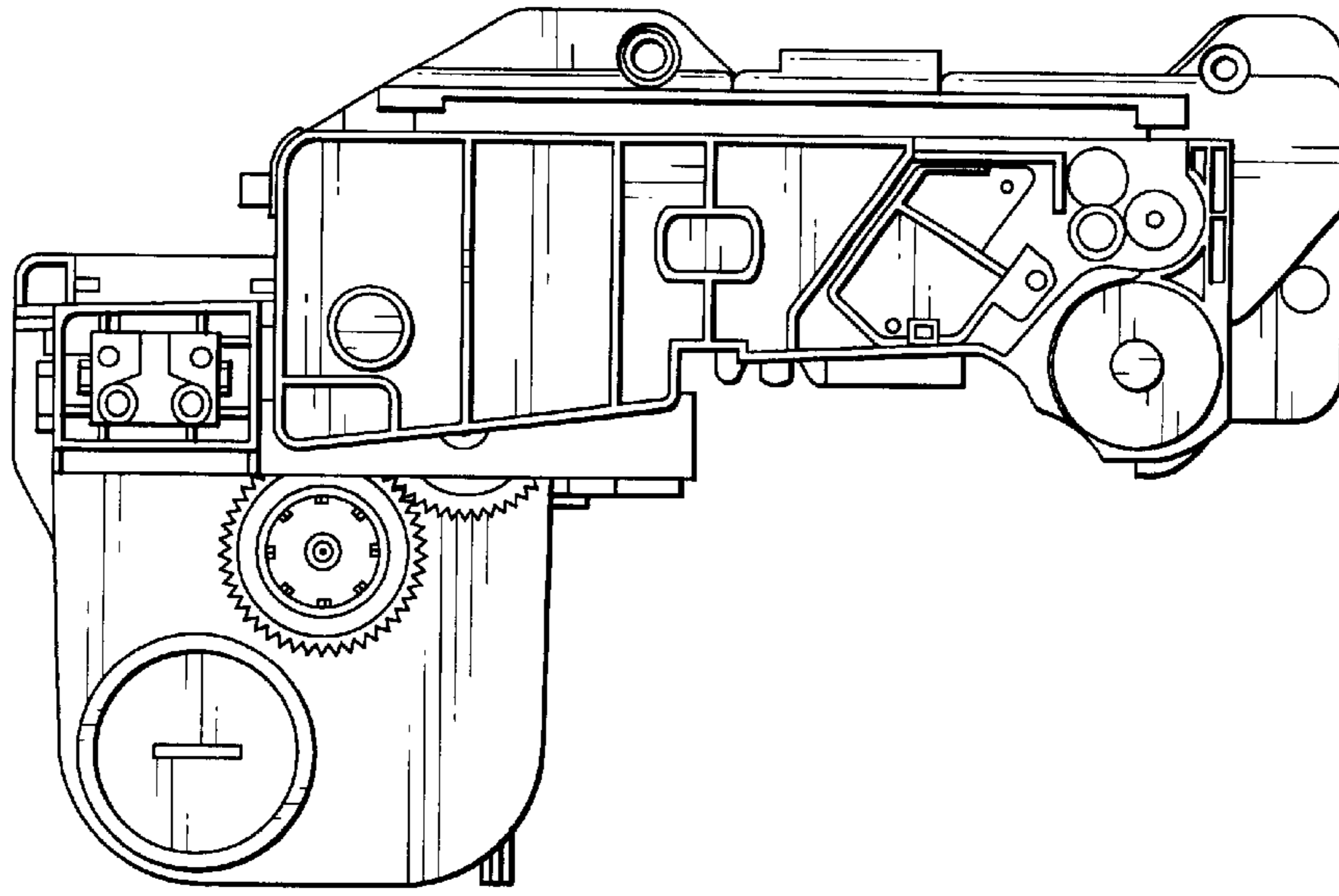


Fig. 4

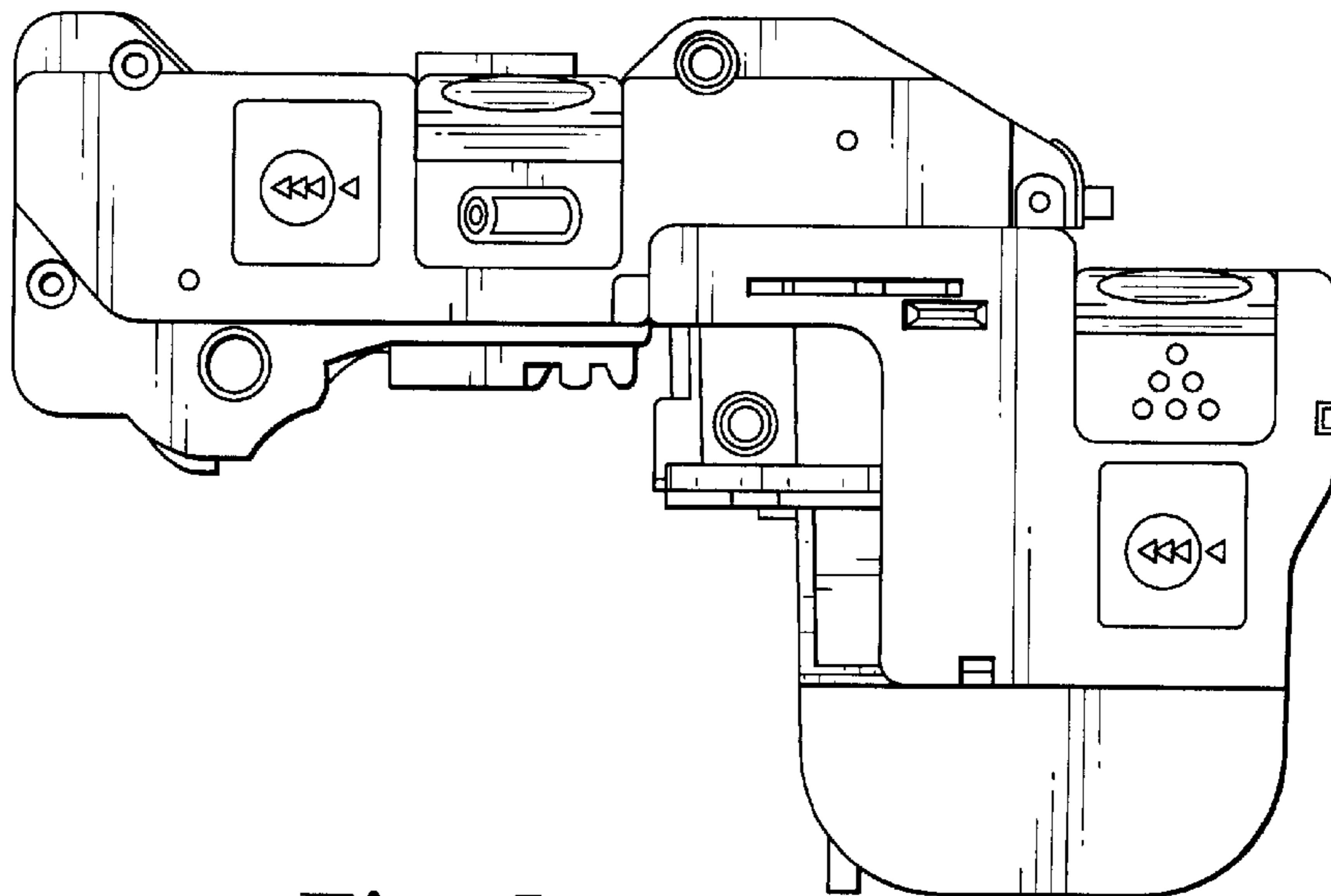


Fig. 5

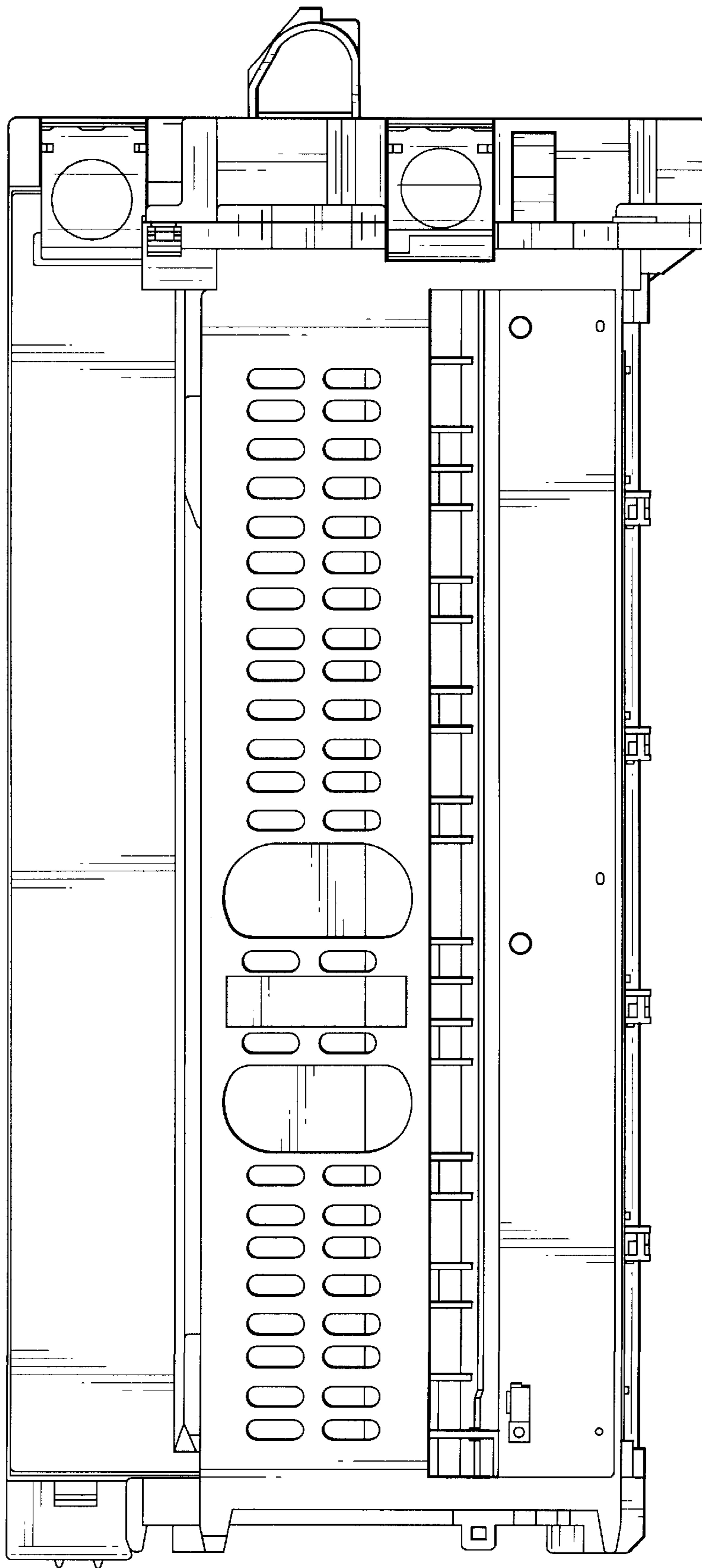


Fig. 6

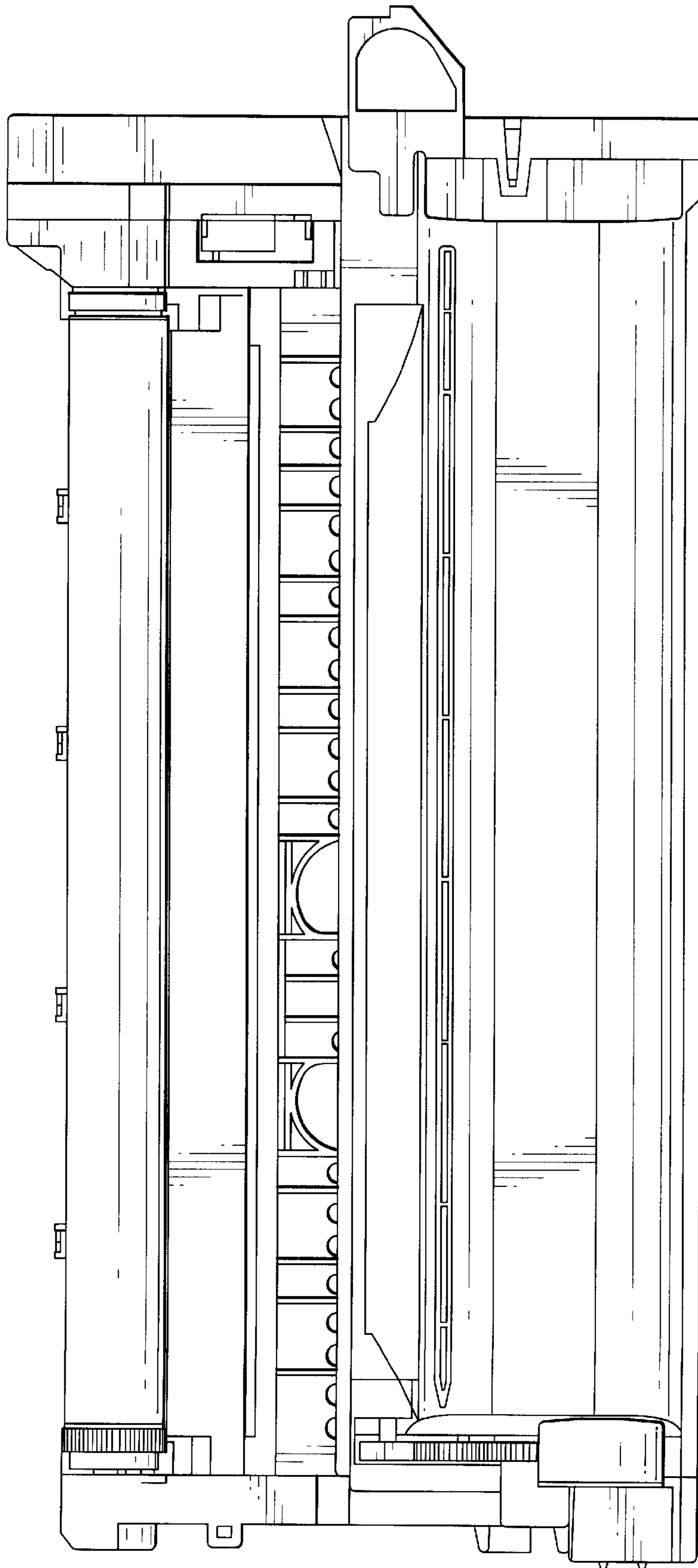


Fig. 7