



US00D468760S

(12) **United States Design Patent**  
**Powers et al.**

(10) **Patent No.:** **US D468,760 S**

(45) **Date of Patent:** **\*\* Jan. 14, 2003**

(54) **GUITAR BRIDGE**

(75) Inventors: **Michael V. Powers**, Meridian, MS  
(US); **David Joshua Borisoff**, Romulus,  
NY (US)

(73) Assignee: **Peavey Electronics Corporation**,  
Meridian, MS (US)

(\*\*) Term: **14 Years**

(21) Appl. No.: **29/137,557**

(22) Filed: **Feb. 26, 2001**

(51) **LOC (7) Cl.** ..... **17-13**

(52) **U.S. Cl.** ..... **D17/20**

(58) **Field of Search** ..... D17/14-15, 18-21,  
D17/24, 99; 84/9, 267, 290, 293-294, 297 R,  
298, 299, 307, 314 R, 354

(56) **References Cited**

**U.S. PATENT DOCUMENTS**

1,188,803 A *	6/1916	Shutt	84/298
2,292,232 A *	8/1942	Liske	84/312 R
3,896,695 A	7/1975	Kingsbury	84/307
D256,804 S *	9/1980	Fender	D17/21
4,230,014 A	10/1980	Hoshino	84/299
D269,440 S *	6/1983	Fender	D17/21
4,433,605 A	2/1984	Matsui	84/299
4,807,508 A	2/1989	Yairi	84/297 R
4,840,103 A	6/1989	Mayer	84/297 R

5,208,410 A *	5/1993	Foley	84/307
5,477,764 A	12/1995	Carrico	84/297 R
5,589,653 A *	12/1996	Rose	84/314 N
5,644,094 A *	7/1997	Dickson, II	84/307
5,686,677 A	11/1997	Herbert	84/307
D400,564 S *	11/1998	Ferguson	D17/21
D412,012 S *	7/1999	Park	D17/21
6,124,536 A	9/2000	Hoshino	84/298
D444,806 S *	7/2001	Park	D17/21

\* cited by examiner

*Primary Examiner*—Ruth McInroy

(74) *Attorney, Agent, or Firm*—Dykema Gossett, PLLC

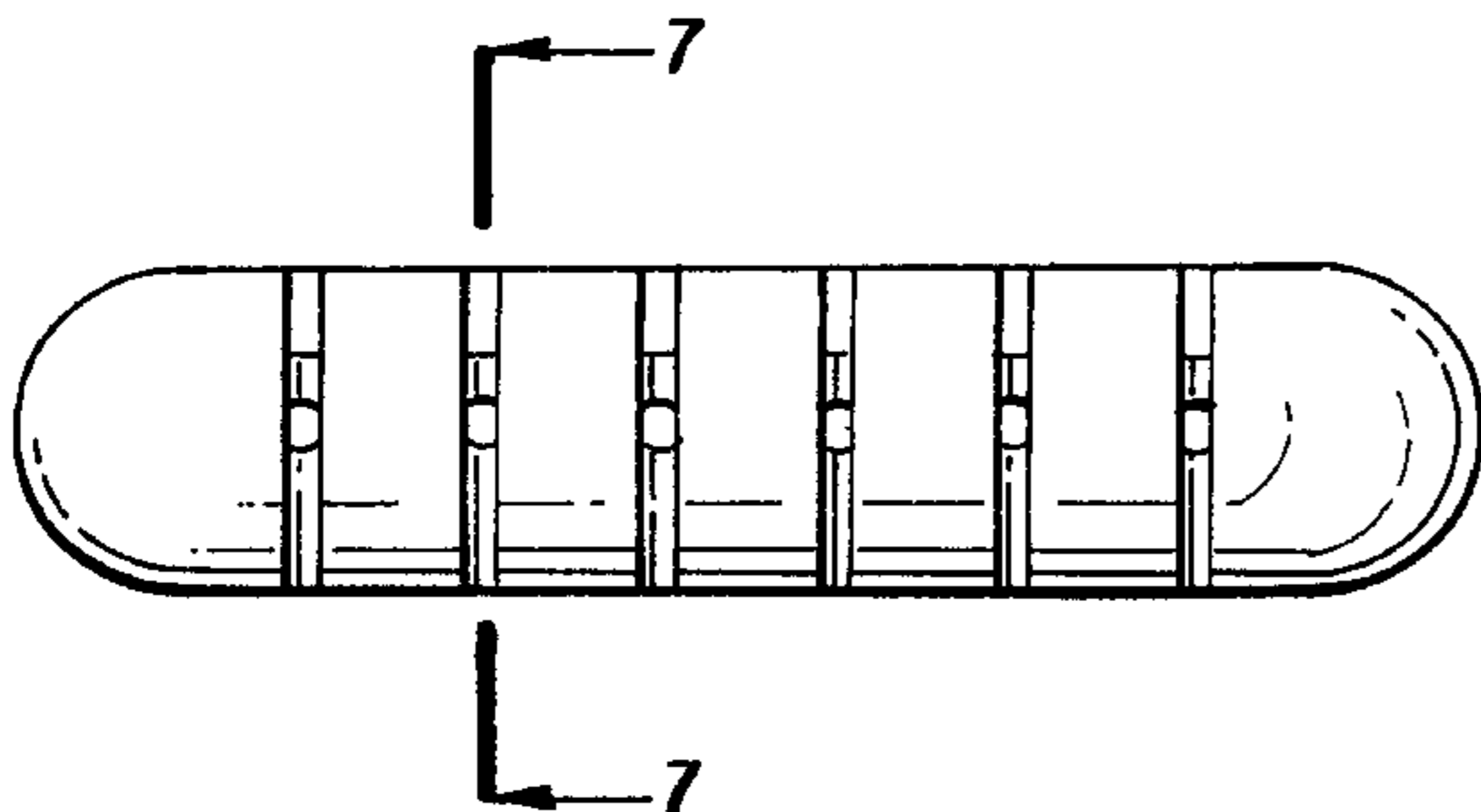
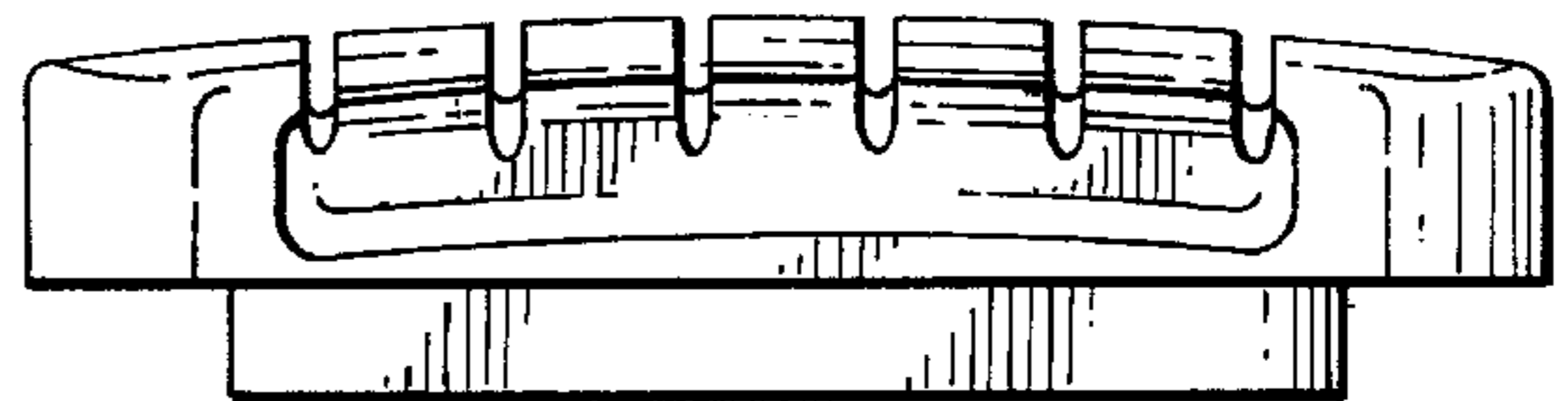
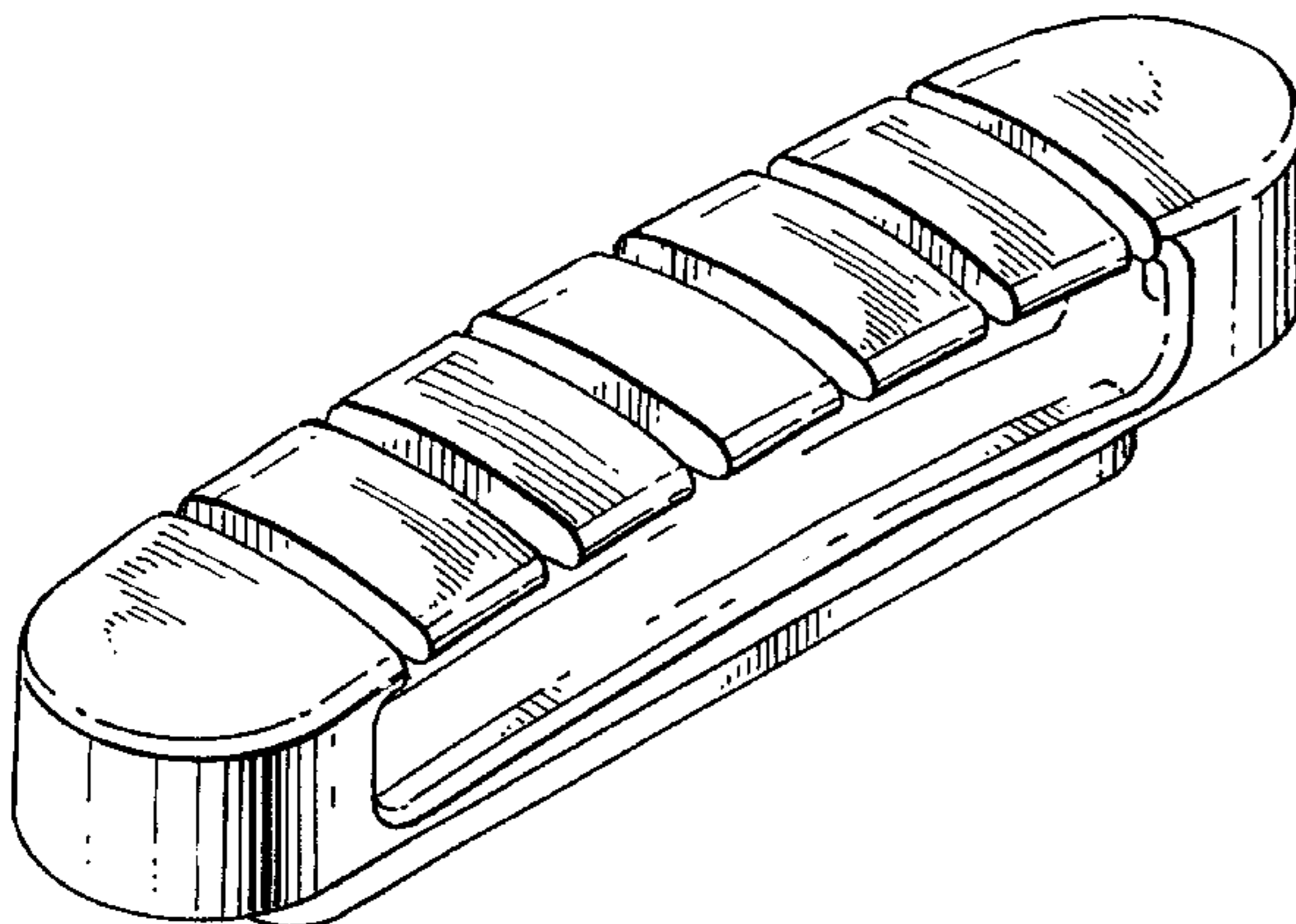
(57) **CLAIM**

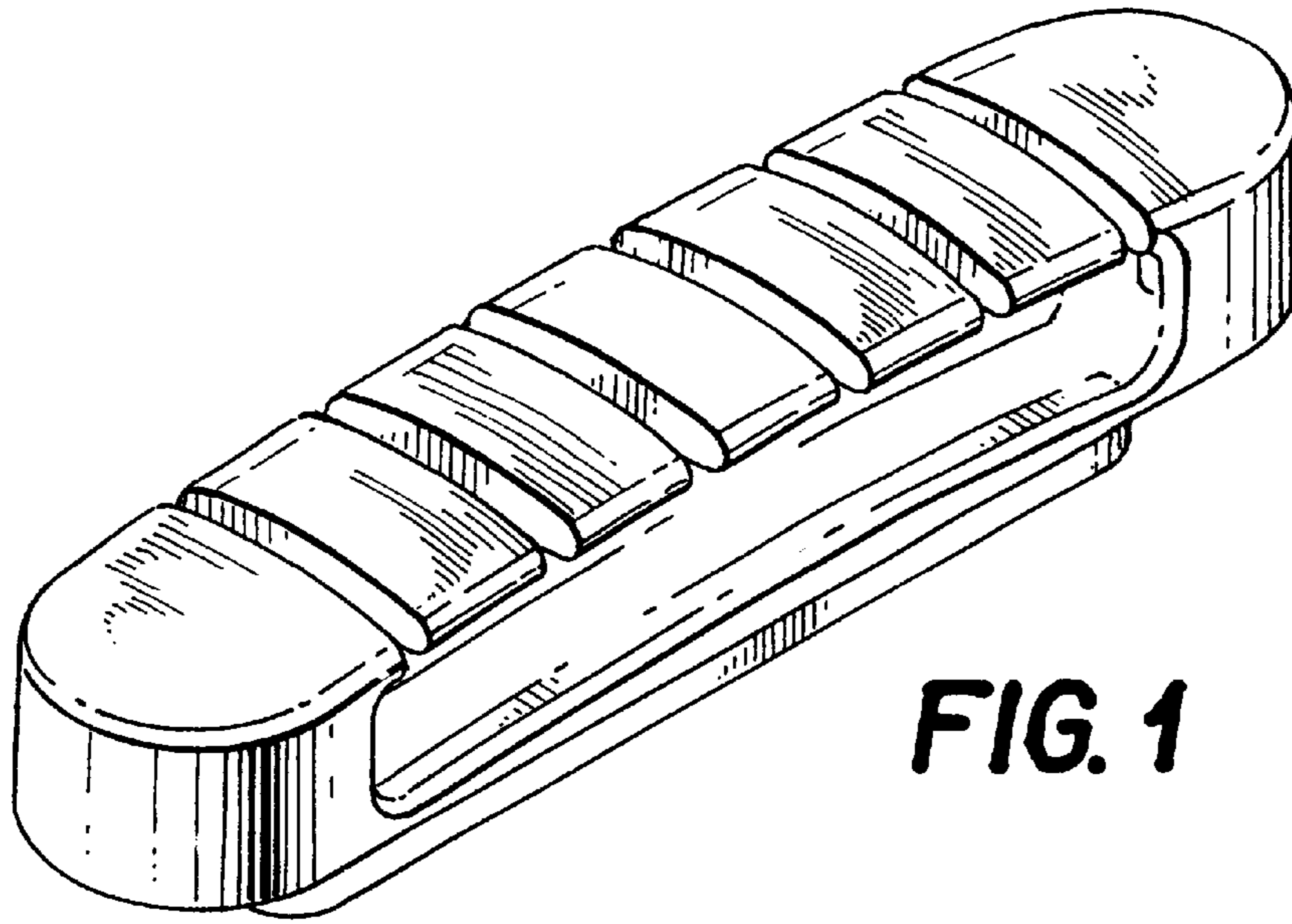
We claim the ornamental design for a guitar bridge, as shown and described.

**DESCRIPTION**

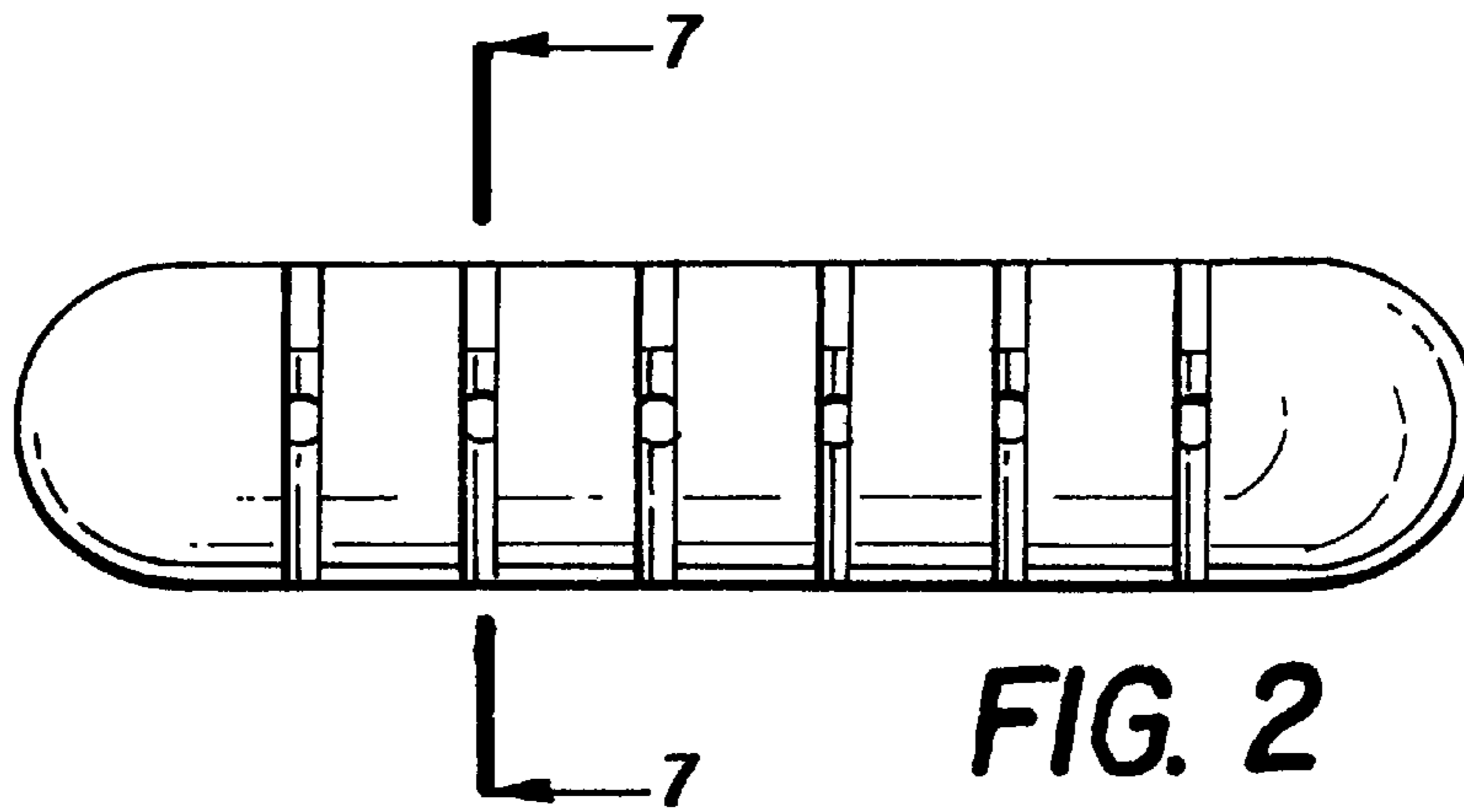
FIG. 1 is a perspective view of a guitar bridge showing our new design;  
FIG. 2 is a top plan view thereof;  
FIG. 3 is a bottom plan view thereof;  
FIG. 4 is a front elevation view;  
FIG. 5 is a rear elevation view;  
FIG. 6 is a side elevation view, the opposite side being a mirror image thereof; and,  
FIG. 7 is a cross-sectional view taken along line 7—7 in FIG. 2 showing a threaded connection.

**1 Claim, 2 Drawing Sheets**

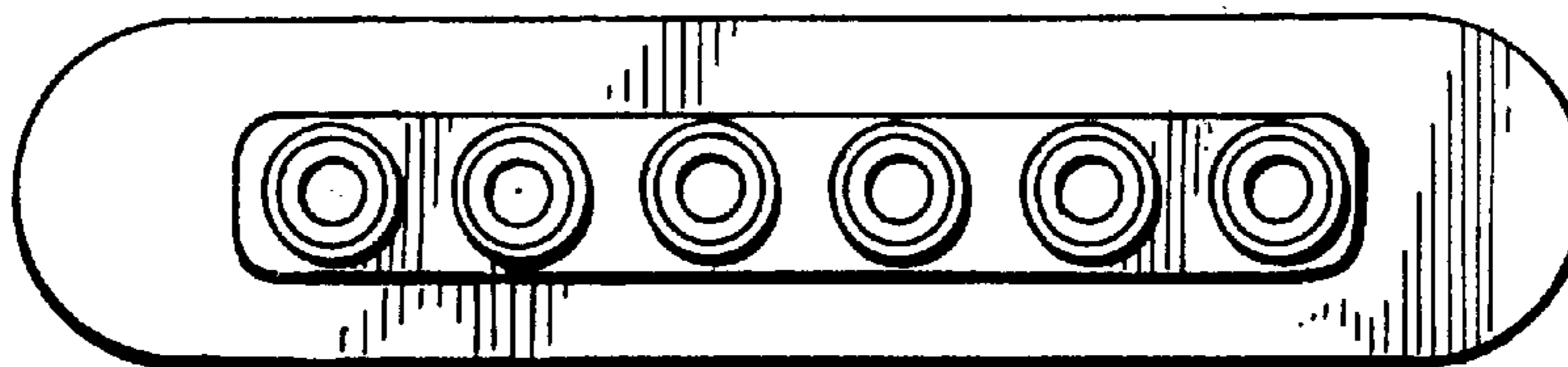




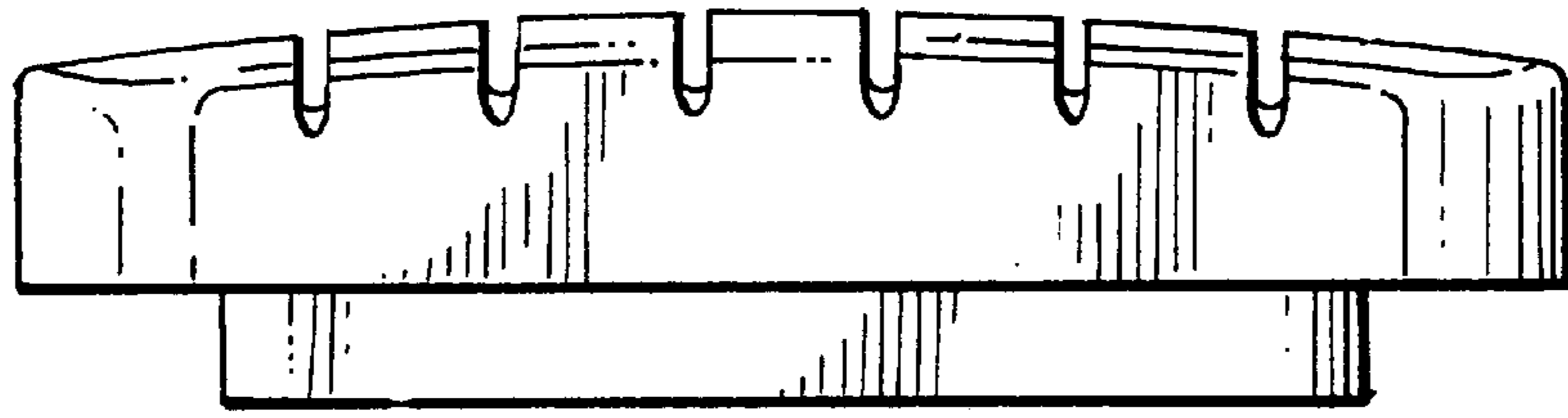
**FIG. 1**



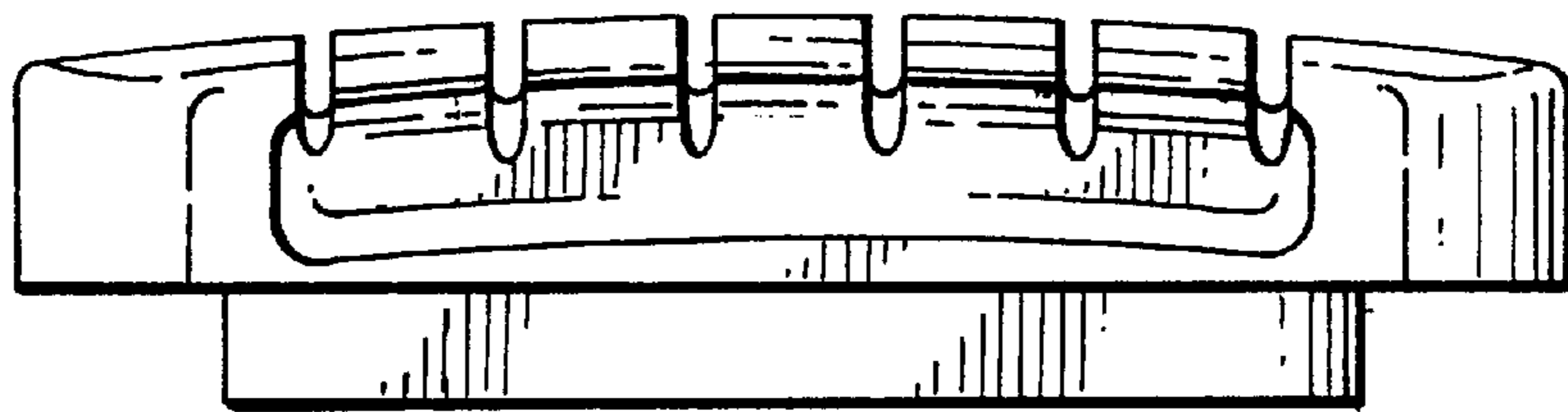
**FIG. 2**



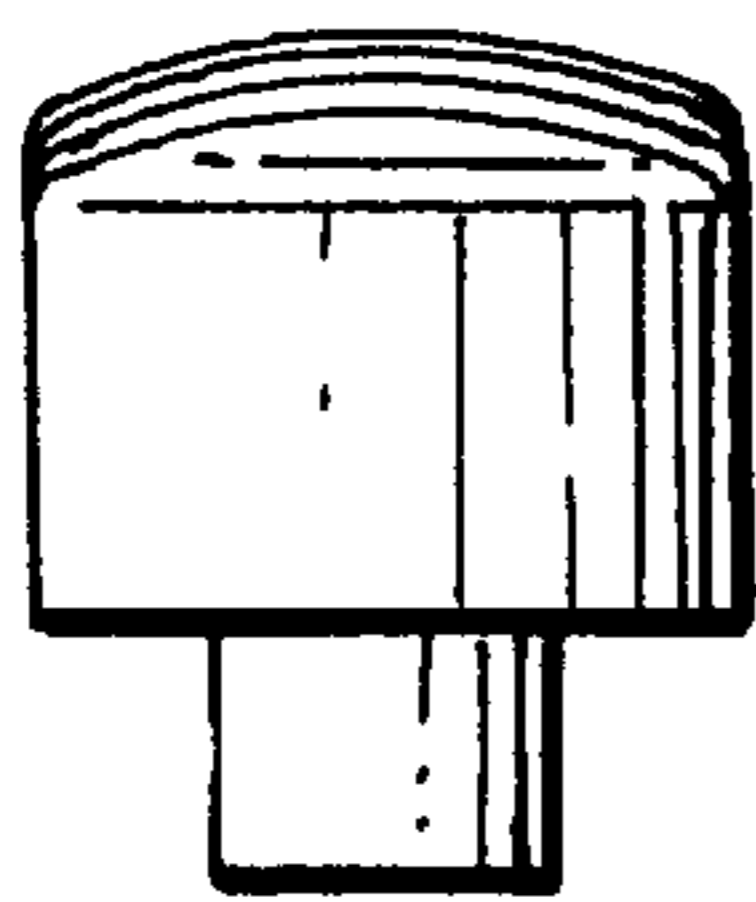
**FIG. 3**



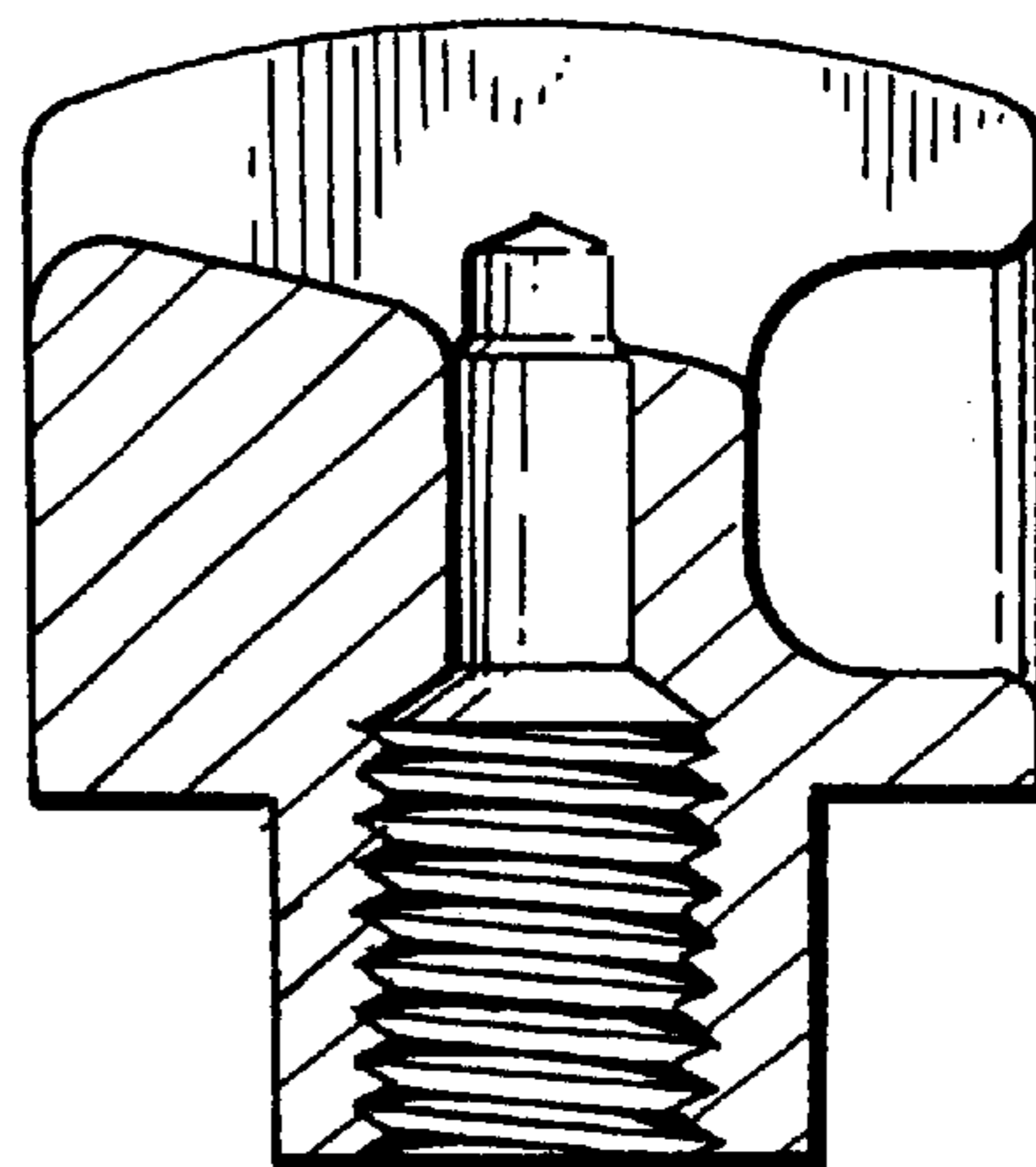
**FIG. 4**



**FIG. 5**



**FIG. 6**



**FIG. 7**