



US00D468759S

(12) **United States Design Patent**
Lin

(10) **Patent No.:** **US D468,759 S**

(45) **Date of Patent:** **** Jan. 14, 2003**

(54) **DIGITAL CAMERA FOR USE WITH ELECTRONIC GAME MACHINE**

6,120,379 A * 9/2000 Tanaka et al. 463/44
D440,244 S * 4/2001 Prather et al. D16/202
D449,655 S * 10/2001 Yamanaka D21/329

(76) Inventor: **Ju Pai Lin**, 7F, No. 413, Sec. 4, Hsing Yi Road, Taipei (TW), 110

* cited by examiner

(**) Term: **14 Years**

Primary Examiner—Adir Aronovich
(74) *Attorney, Agent, or Firm*—Charles E. Baxley

(21) Appl. No.: **29/158,775**

(57) **CLAIM**

(22) Filed: **Apr. 11, 2002**

The ornamental design for a digital camera for use with electronic game machine, as shown and described.

(51) **LOC (7) Cl.** **16-01**

DESCRIPTION

(52) **U.S. Cl.** **D16/202; D21/329**

(58) **Field of Search** D16/200–204,
D16/208, 218; D21/329; 348/373–376;
463/44, 46; 396/429, 535

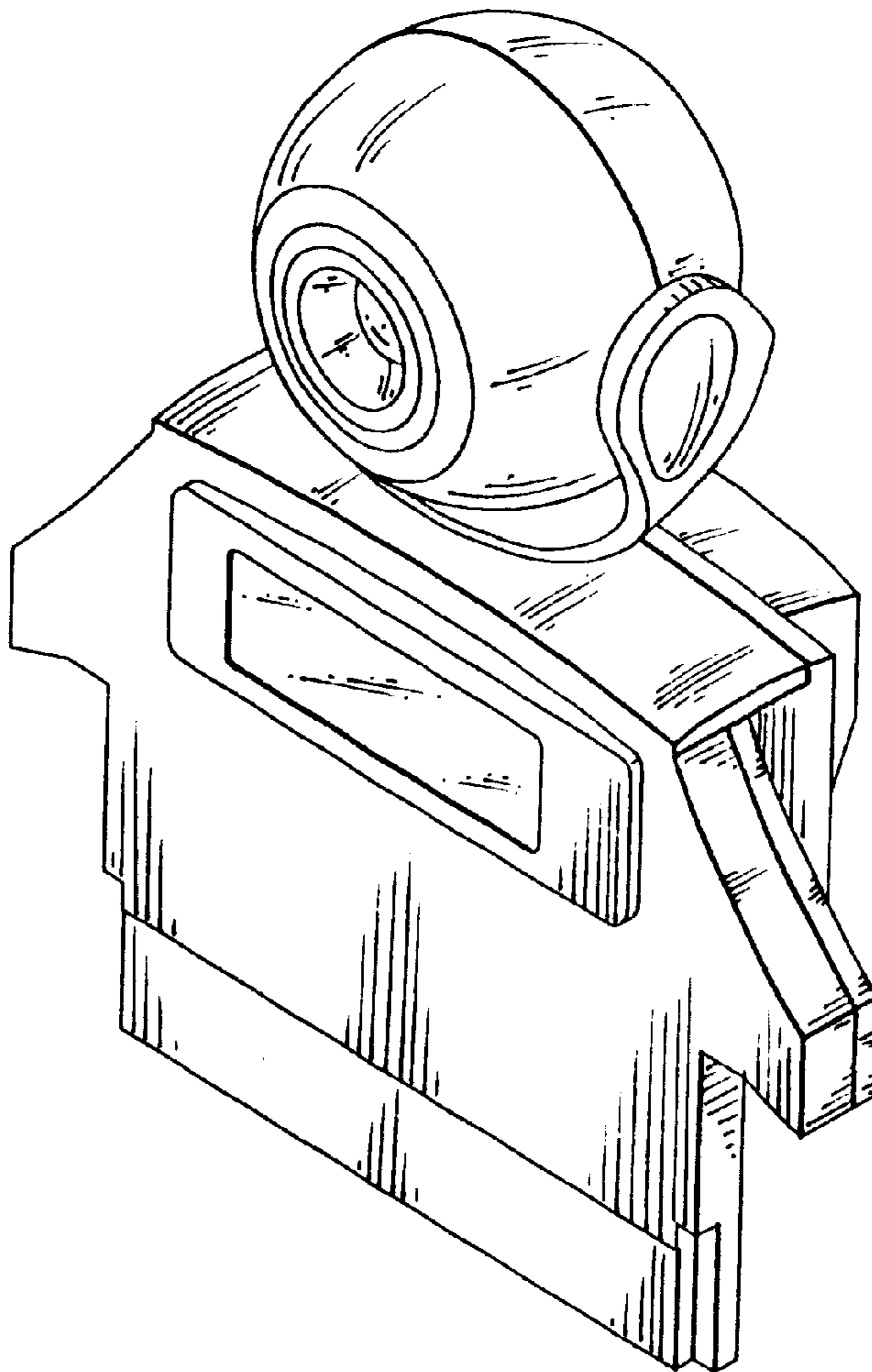
FIG. 1 is a perspective view of a digital camera for use with electronic game machine showing my new design;
FIG. 2 is a front elevational view thereof;
FIG. 3 is a rear elevational view thereof;
FIG. 4 is a top plan view thereof;
FIG. 5 is a bottom plan view thereof;
FIG. 6 is a left side elevational view thereof; and,
FIG. 7 is a right side elevational view thereof.

(56) **References Cited**

U.S. PATENT DOCUMENTS

D389,500 S * 1/1998 Krekelberg D16/202
D390,585 S * 2/1998 Sakata et al. D16/202
D407,762 S * 4/1999 Ota et al. D21/332

1 Claim, 4 Drawing Sheets



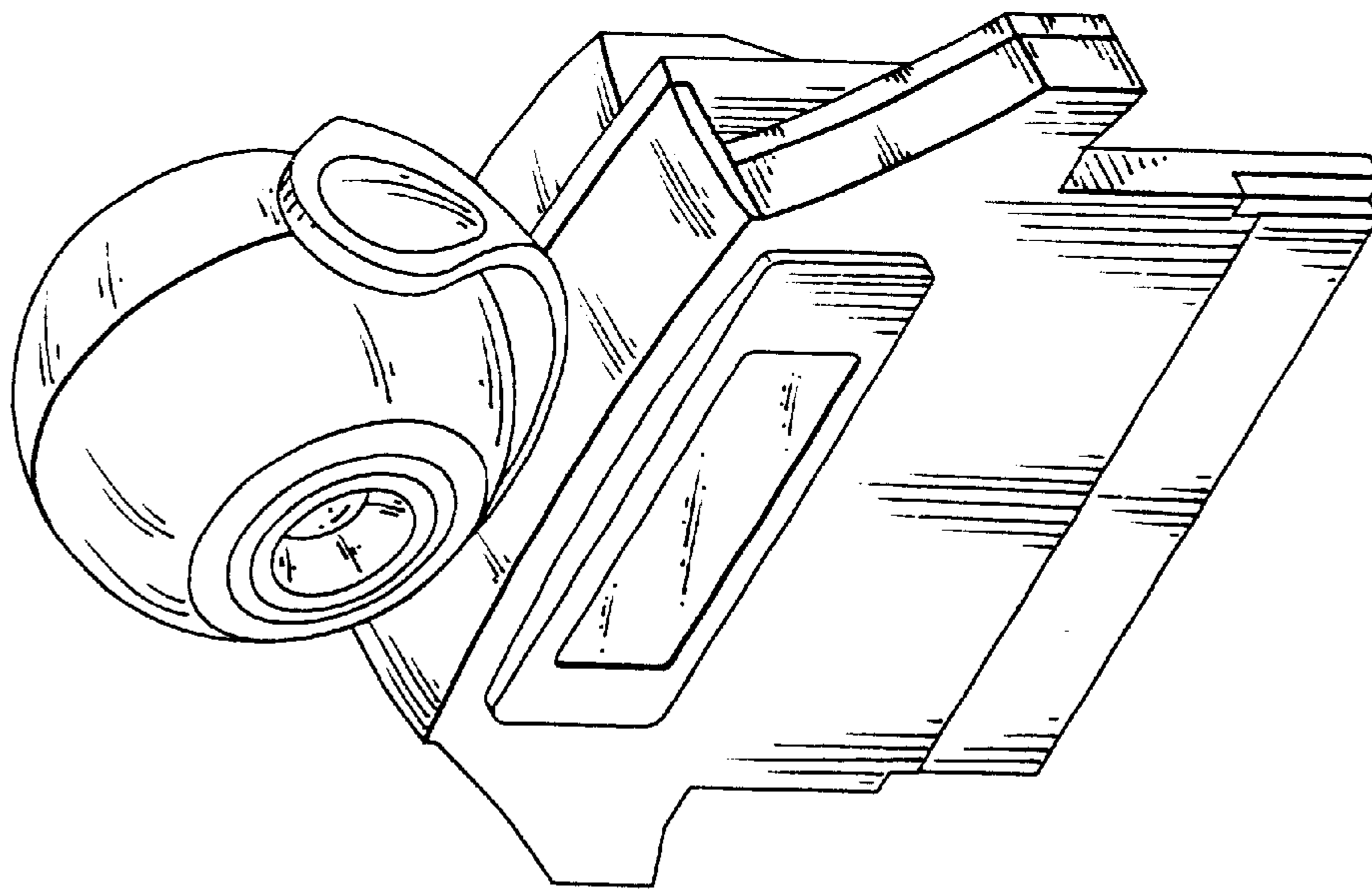


FIG. 1

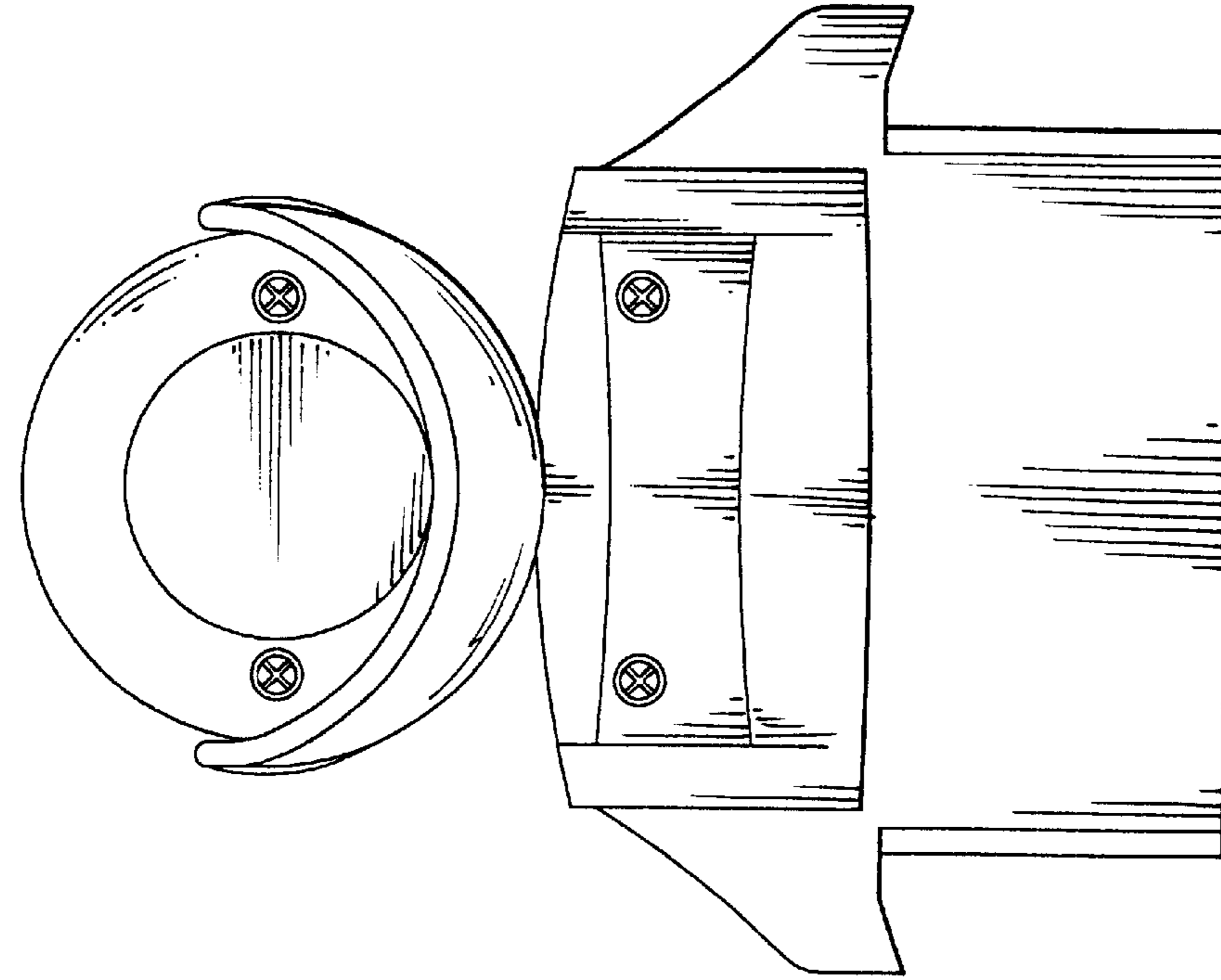


FIG. 2

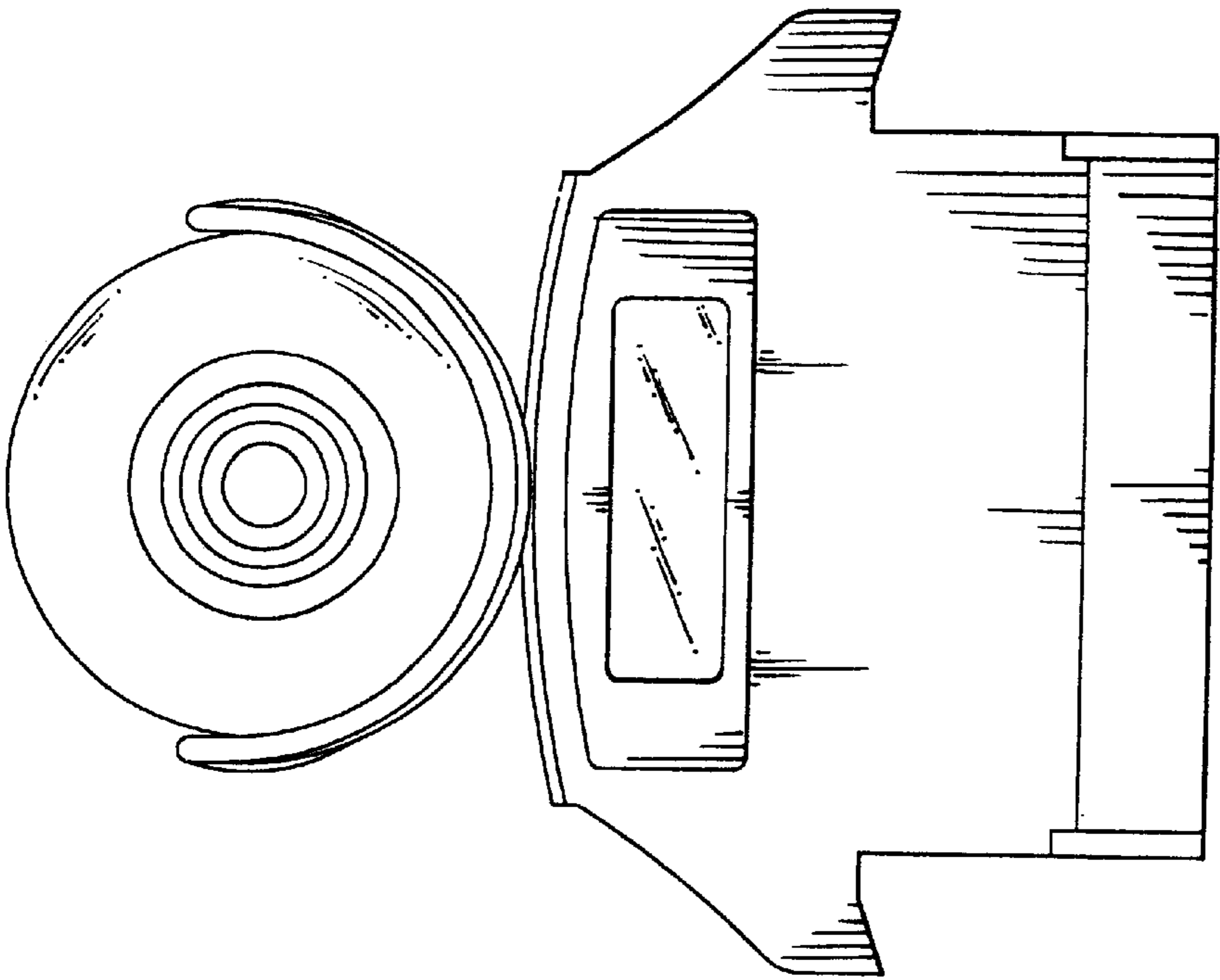


FIG. 3

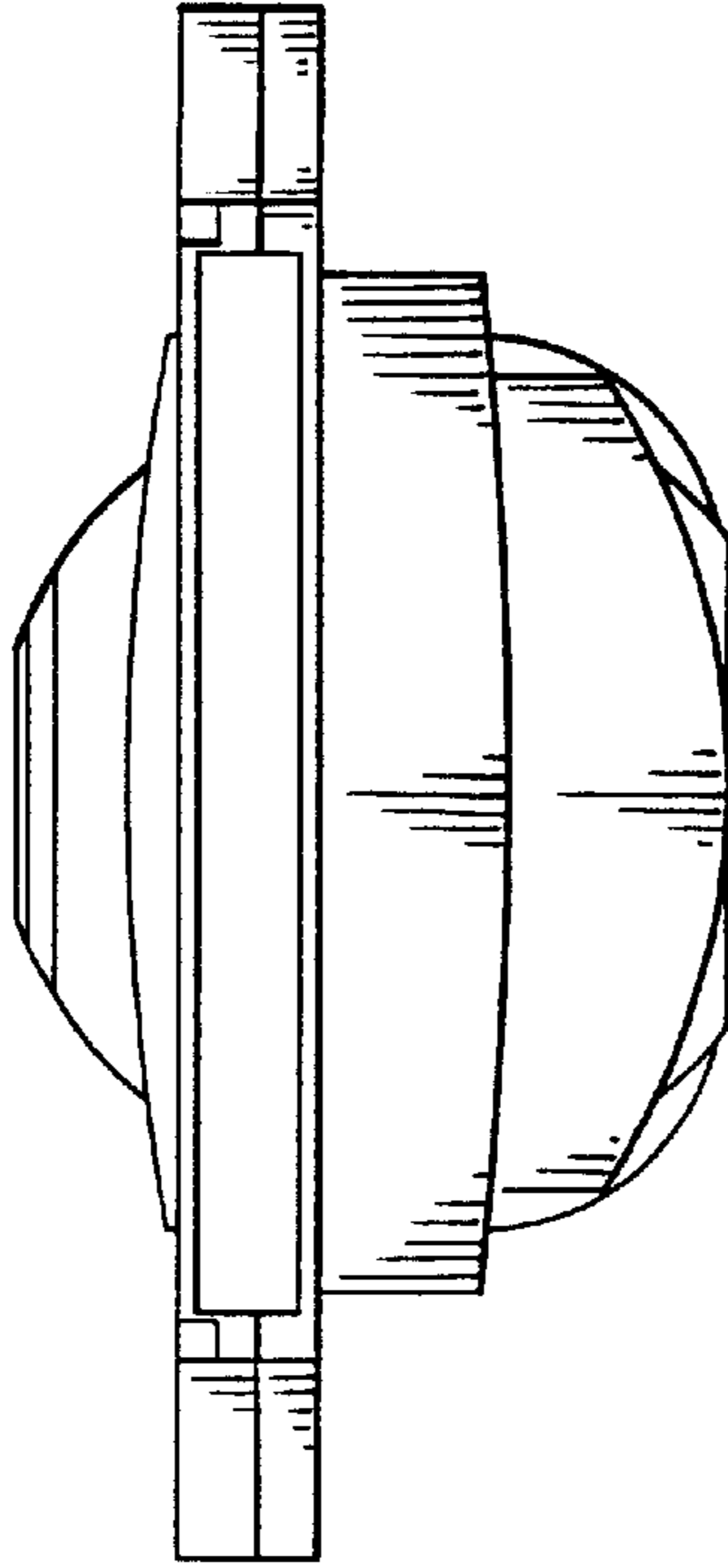


FIG. 4

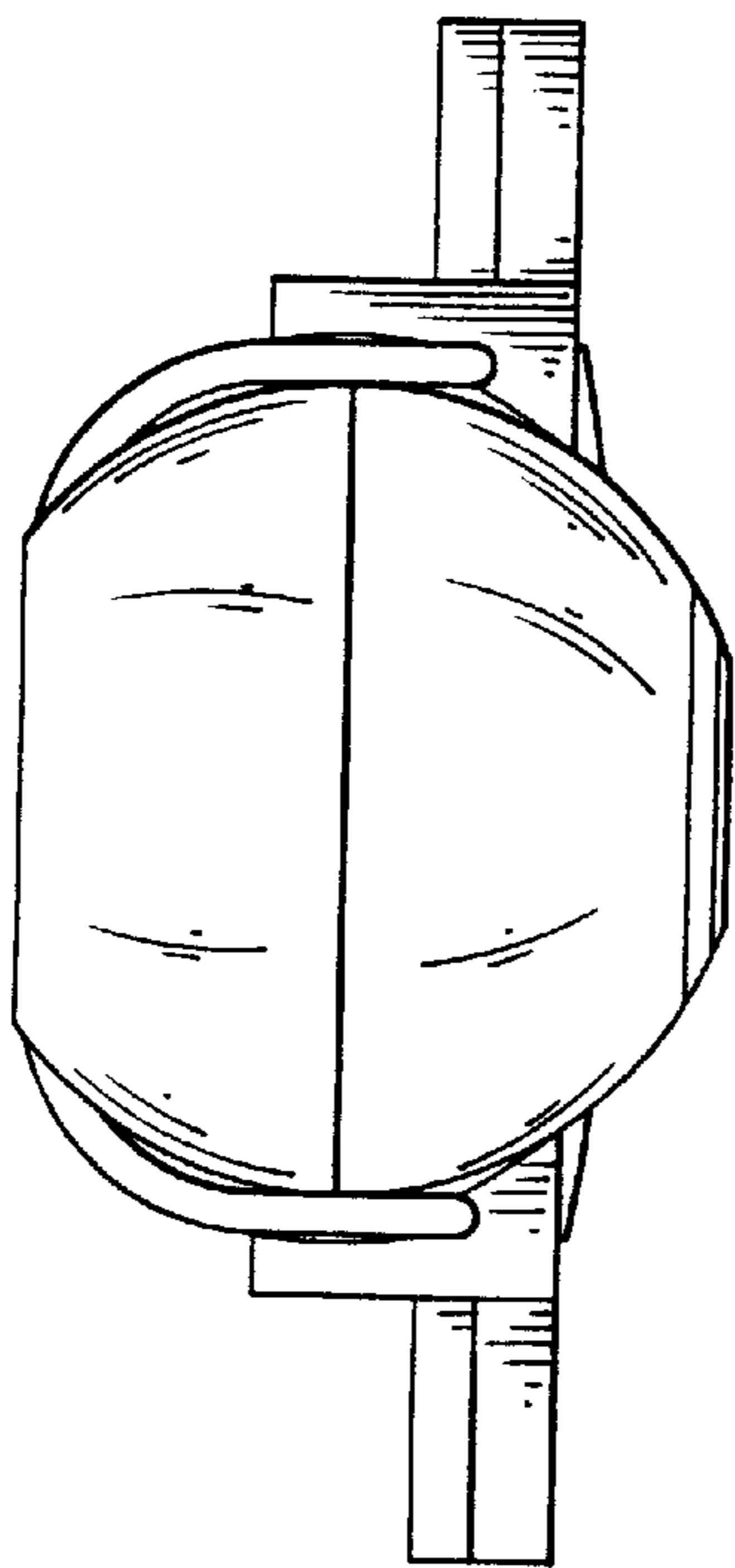


FIG. 5

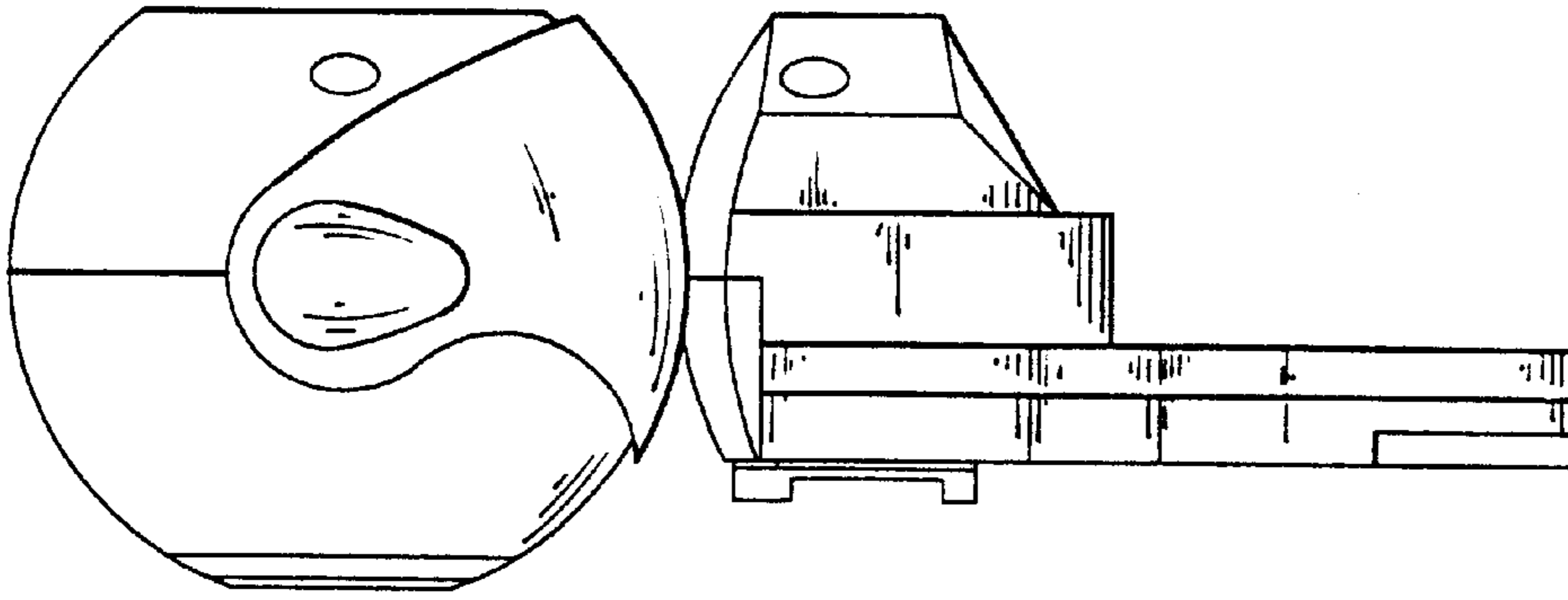


FIG. 7

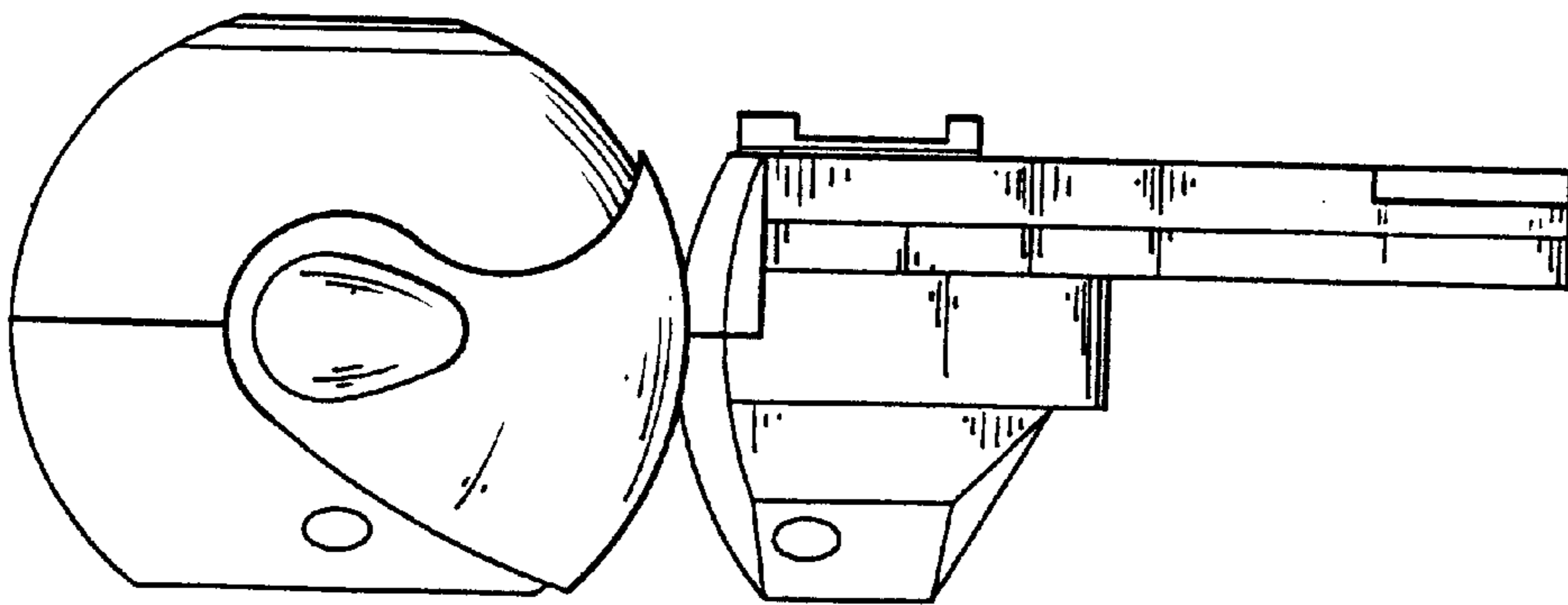


FIG. 6