



US00D468757S

(12) **United States Design Patent**
Stapleton et al.

(10) **Patent No.:** **US D468,757 S**

(45) **Date of Patent:** **** Jan. 14, 2003**

(54) **OPTICAL TRANSCEIVER**

D416,883 S * 11/1999 Wagner et al. D14/426
6,166,389 A * 12/2000 Shie et al. 359/15 X

(75) Inventors: **Lawrence Cooper Stapleton**, Seattle, WA (US); **Harold Alexander Brown**, Renton, WA (US); **Richard B. Riday**, Kirkland, WA (US); **James Stocker Webb**, Seattle, WA (US); **Ferdinand Johannes van Engelen**, Bellevue, WA (US); **Oliver Felix Grabes**, Seattle, WA (US); **Brady Austin Olason**, Edmonds, WA (US)

* cited by examiner

Primary Examiner—Paula A. Mortimer
(74) *Attorney, Agent, or Firm*—Blakely Sokoloff Taylor & Zafman LLP

(73) Assignee: **Terabeam Corporation**, Kirkland, WA (US)

(57) **CLAIM**

The ornamental design for an optical transceiver, as shown and described.

(**) Term: **14 Years**

DESCRIPTION

(21) Appl. No.: **29/138,146**

FIG. 1 is a top, front, right side perspective view showing a first embodiment of an optical transceiver design;

(22) Filed: **Mar. 6, 2001**

FIG. 2 is a top, rear, right side perspective view thereof;

(51) **LOC (7) Cl.** **16-99**

FIG. 3 is a front view thereof;

(52) **U.S. Cl.** **D16/130**

FIG. 4 is a back view thereof;

(58) **Field of Search** D16/130; D14/137, D14/144, 420, 422, 426, 432, 168, 155, 188, 496; 359/11, 12, 13, 15, 29, 56, 127, 569; 372/103, 703; 385/24

FIG. 5 is a top view thereof;

FIG. 6 is a bottom view thereof;

FIG. 7 is a left side view thereof; and,

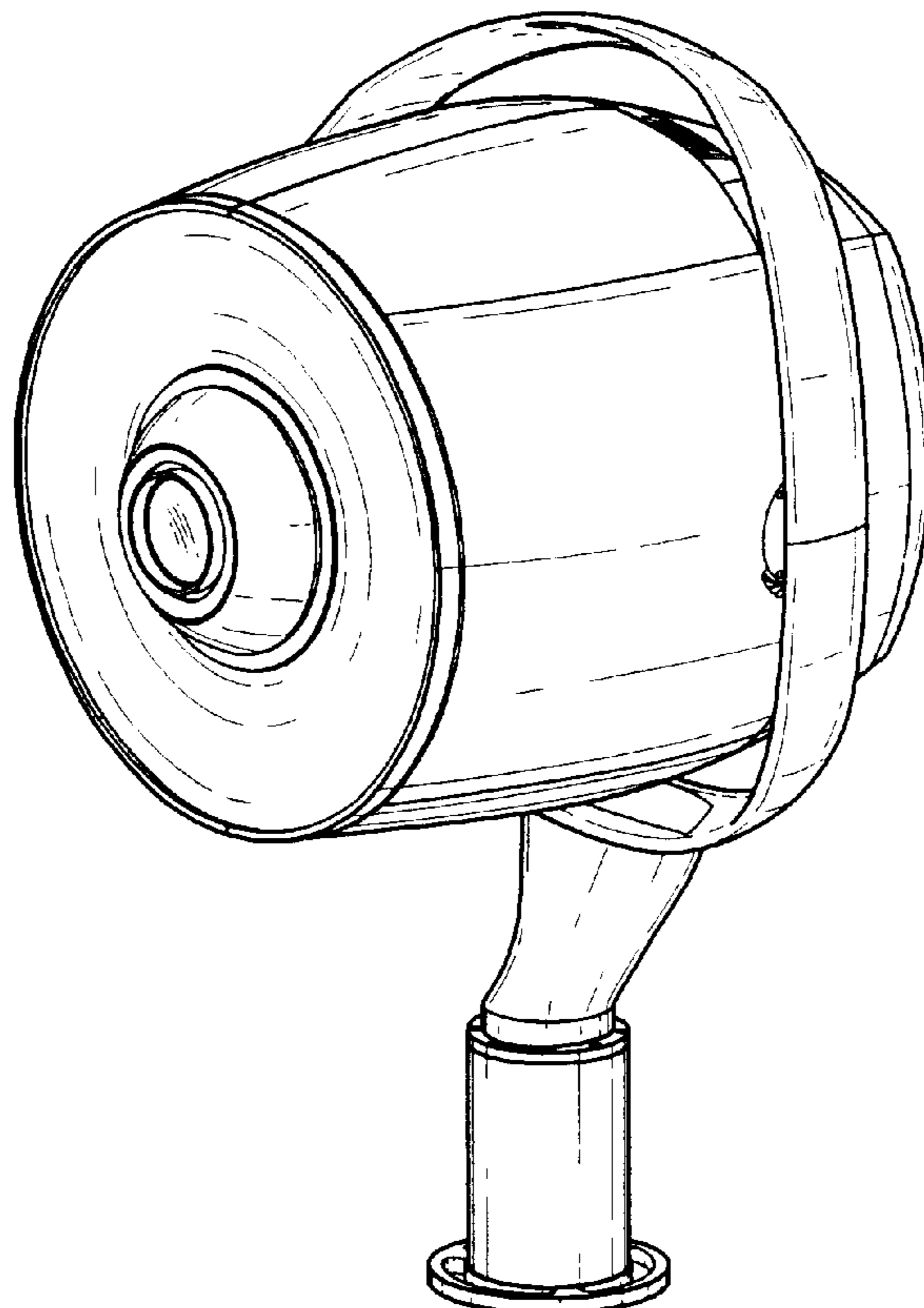
FIG. 8 is a right side view thereof.

(56) **References Cited**

U.S. PATENT DOCUMENTS

5,963,684 A * 10/1999 Ford et al. 359/11 X

1 Claim, 4 Drawing Sheets



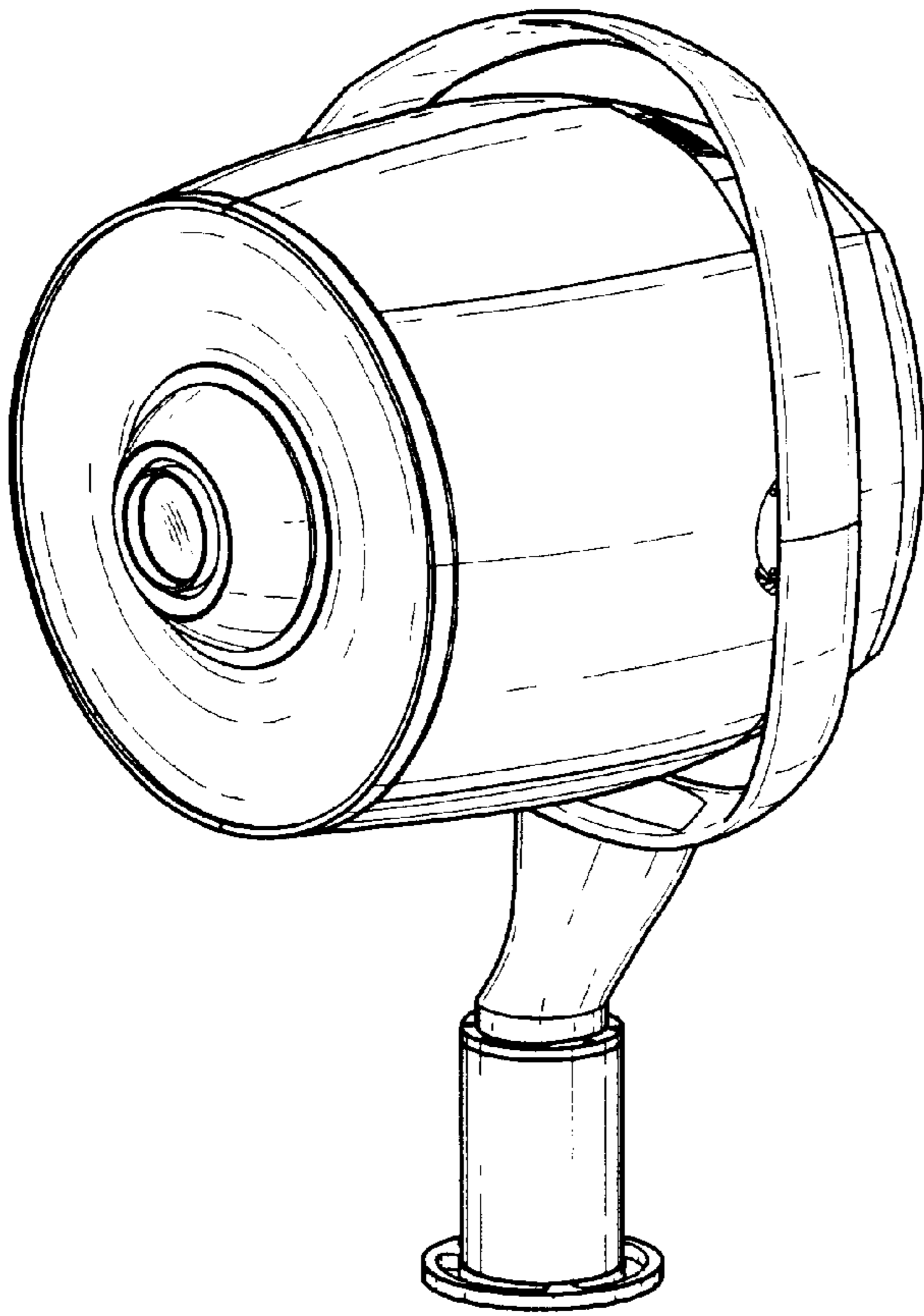


Fig. 1

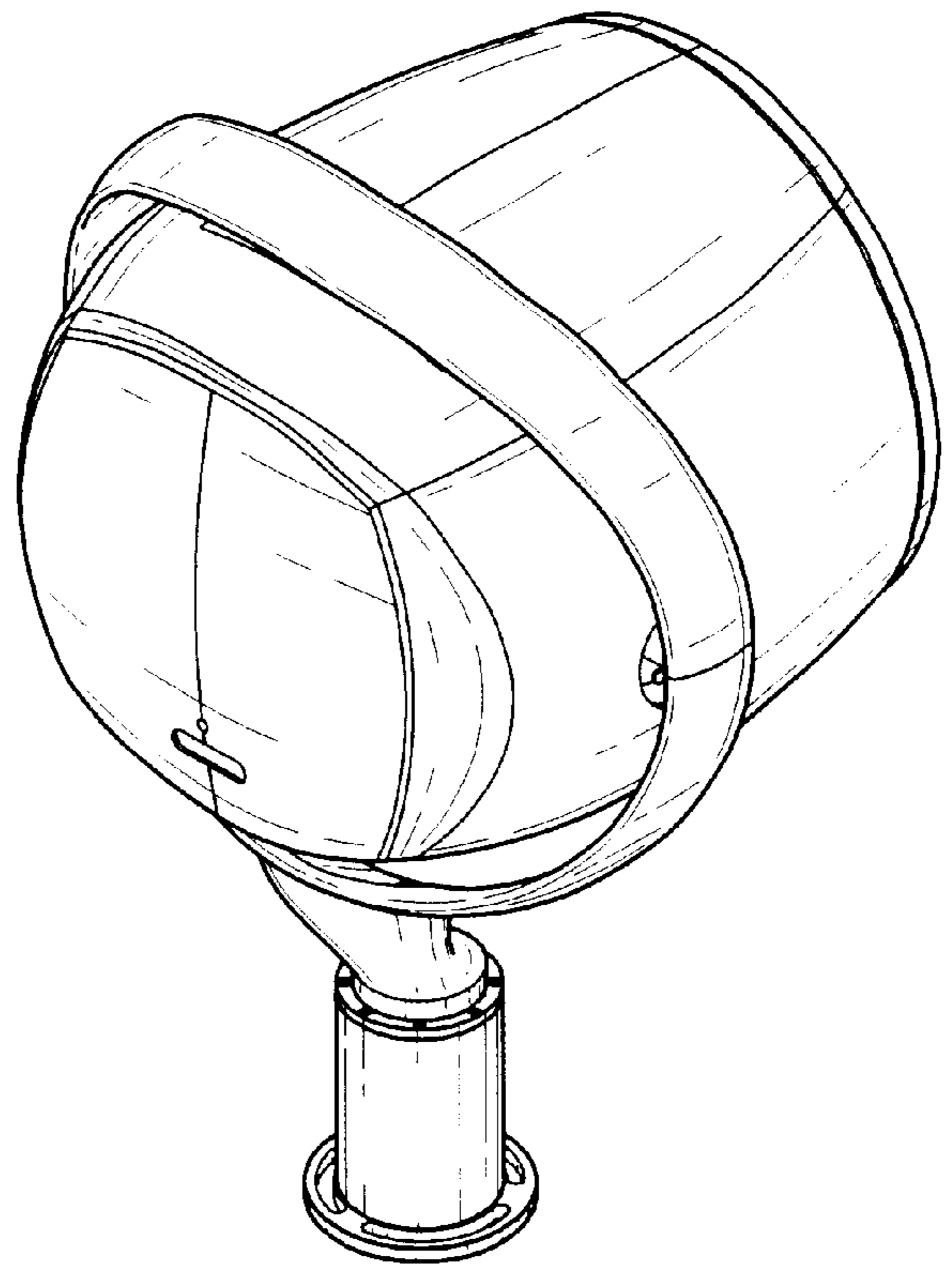


Fig. 2

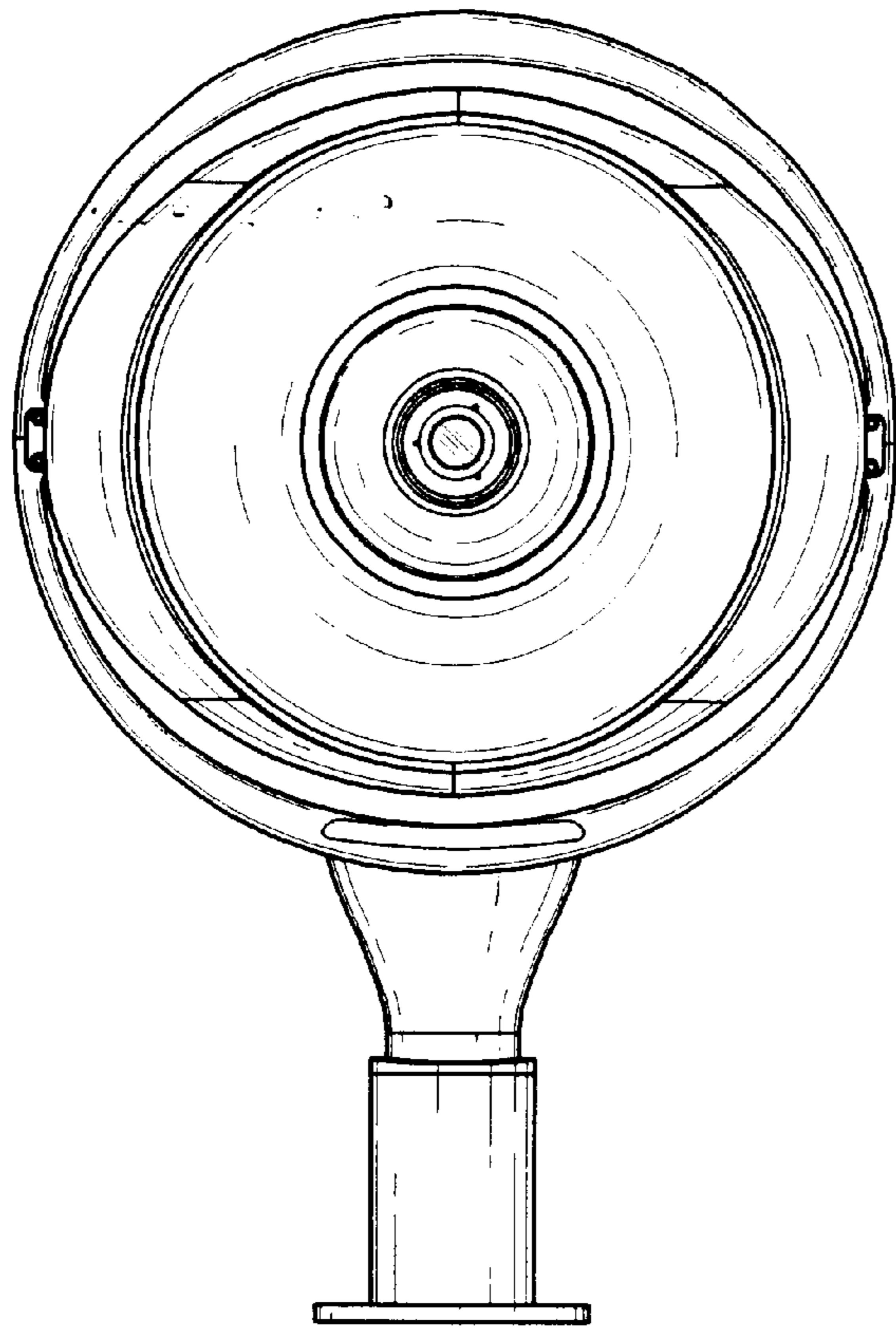


Fig. 3

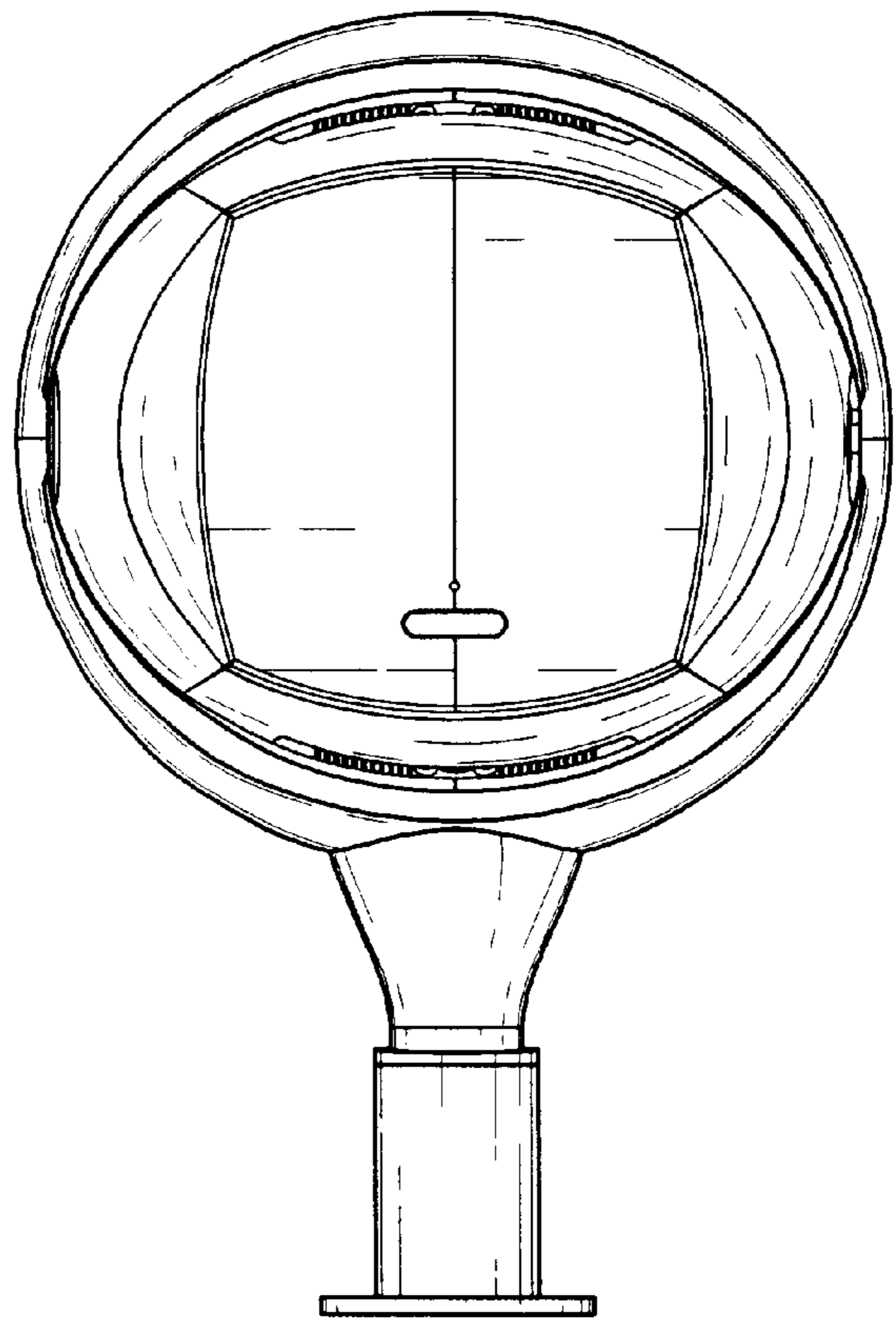


Fig. 4

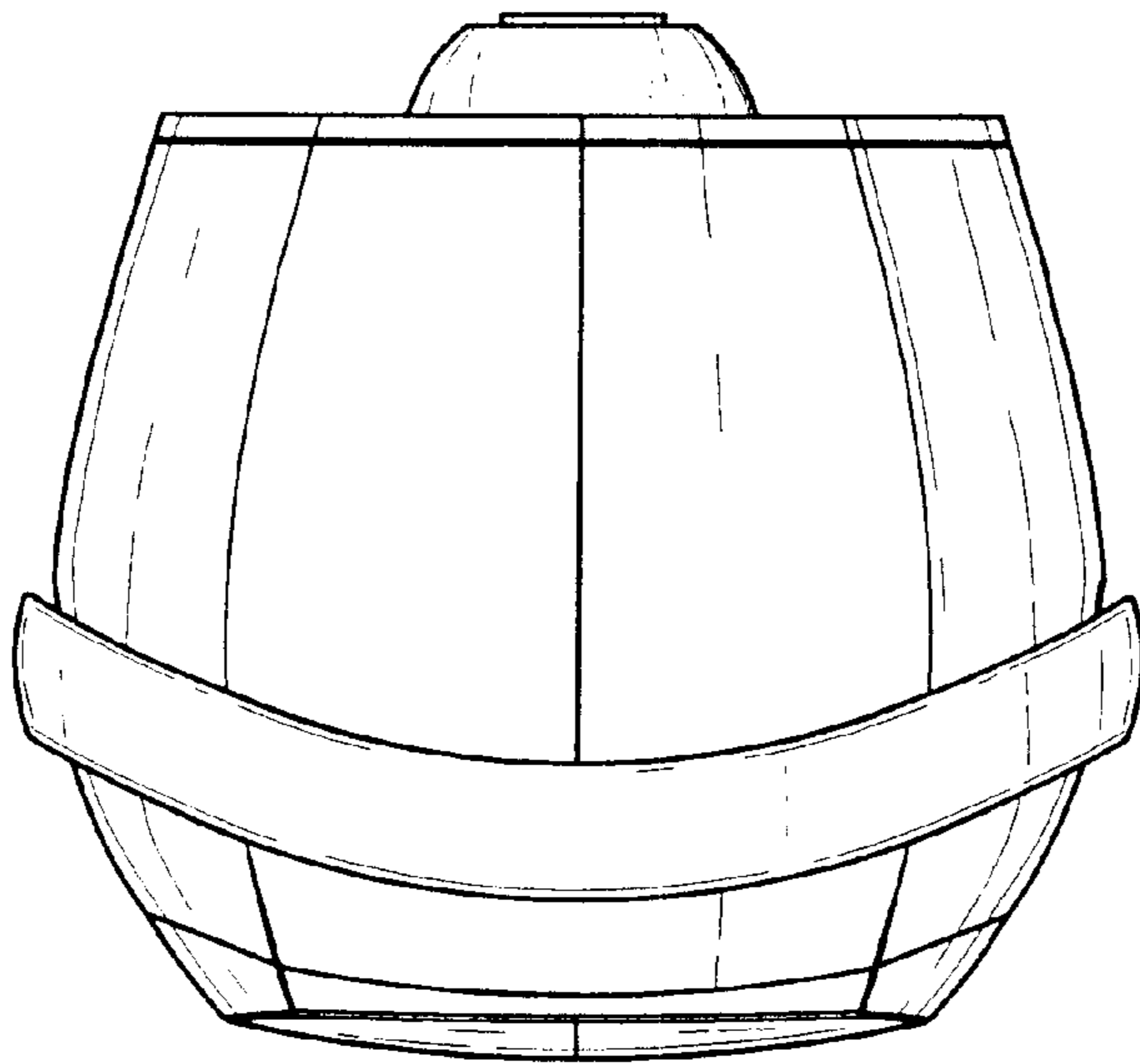


Fig. 5

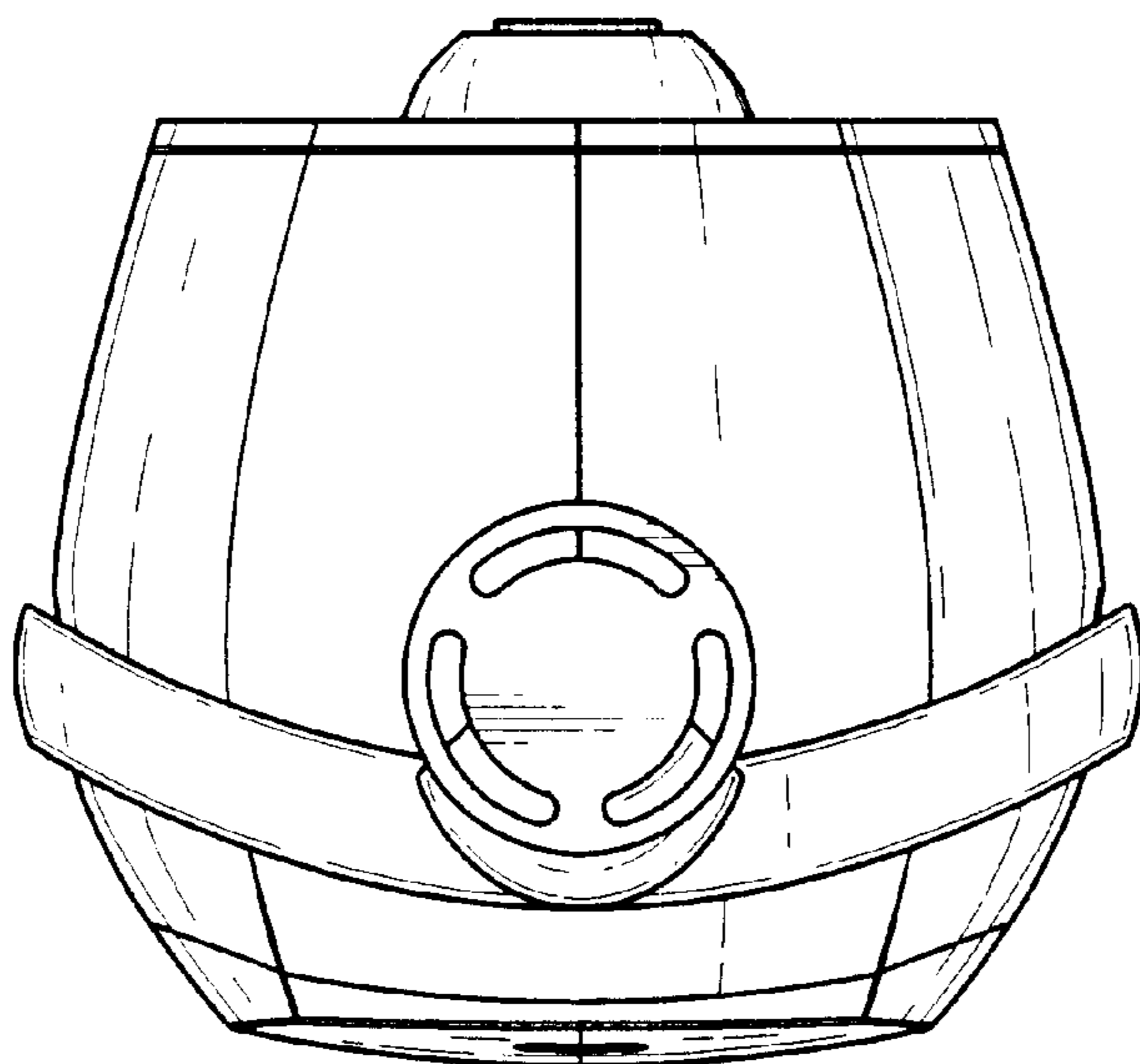


Fig. 6

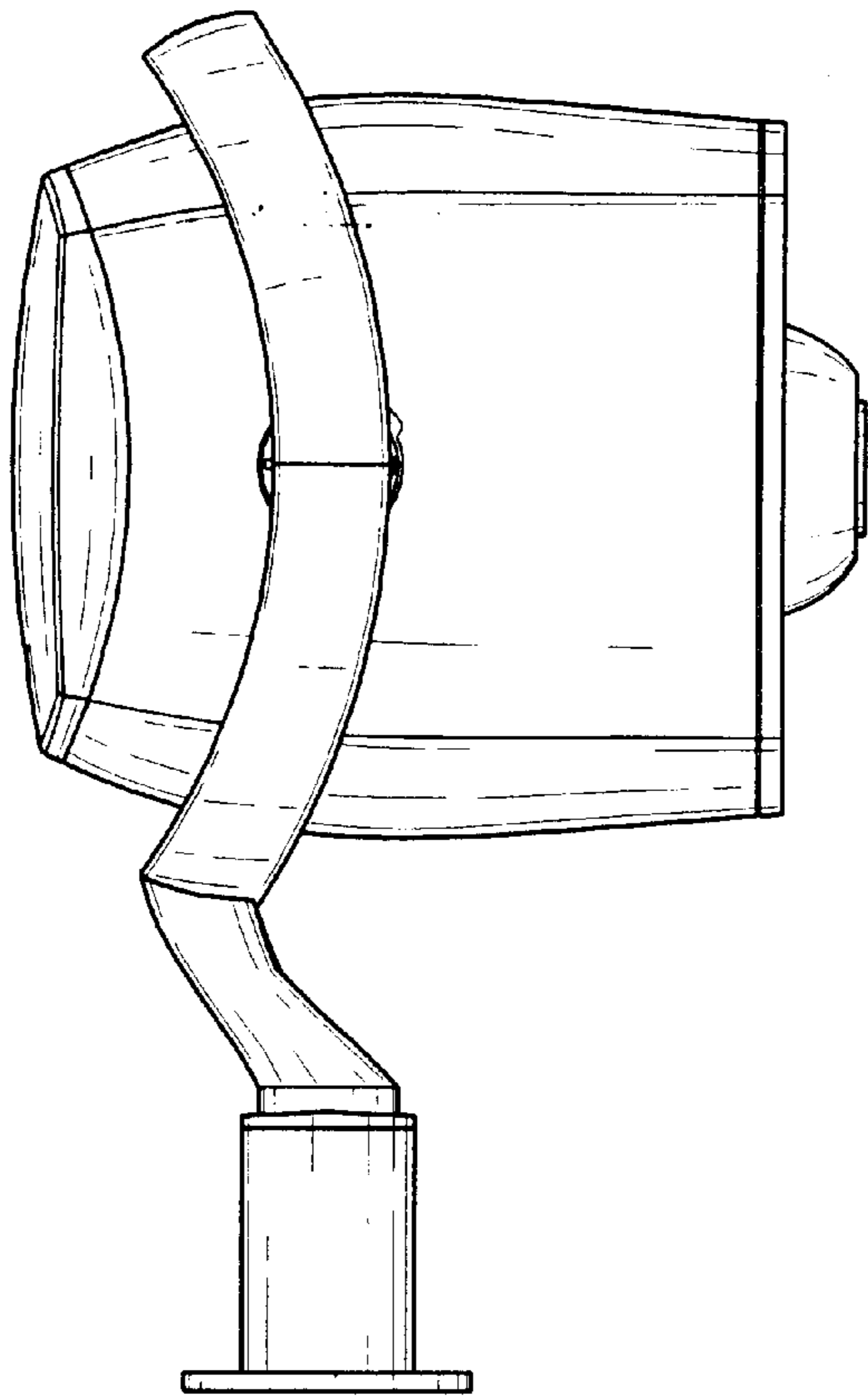


Fig. 7

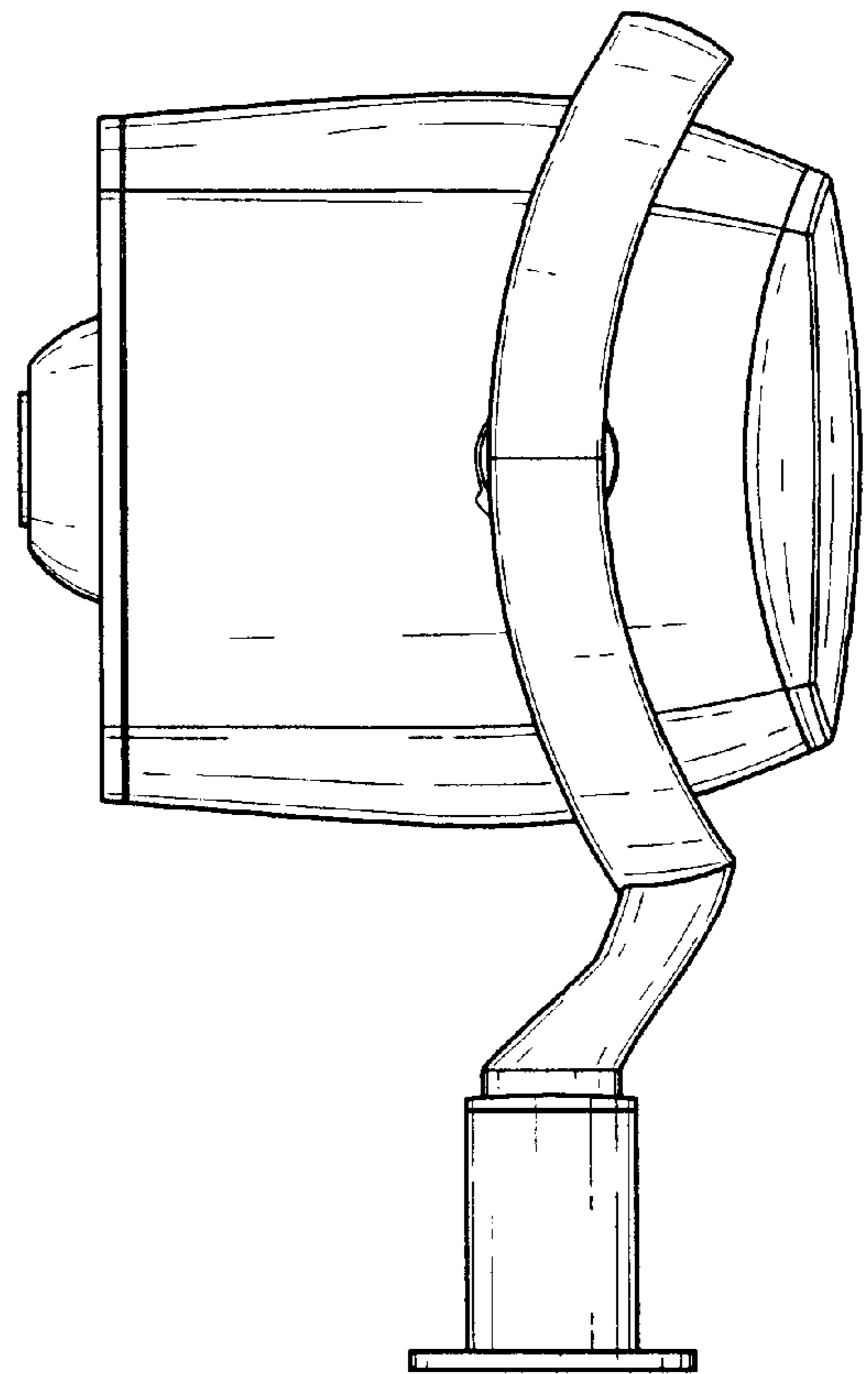


Fig. 8