



US00D468756S

(12) **United States Design Patent**
Coullahan et al.

(10) **Patent No.:** **US D468,756 S**
(45) **Date of Patent:** **** Jan. 14, 2003**

(54) **MOVEABLE BARRIER OPERATOR**

DESCRIPTION

(75) Inventors: **Kevin Coullahan**, Santa Cruz, CA (US); **Howard Nuk**, Sunnyvale, CA (US); **Michael Vöge**, San Francisco, CA (US)

FIG. 1 is a perspective view of a moveable barrier operator according to our new design, the broken lines of the container are for illustrative purposes only and form no part of the claimed design;

(73) Assignee: **The Chamberlain Group, Inc.**, Elmhurst, IL (US)

FIG. 2 is a side elevational view of the moveable barrier operator of FIG. 1;

(**) Term: **14 Years**

FIG. 3 is a bottom plan view of the moveable barrier operator of FIG. 1;

(21) Appl. No.: **29/146,219**

FIG. 4 is a rear elevational view of the moveable barrier operator of FIG. 1;

(22) Filed: **Aug. 7, 2001**

(51) **LOC (7) Cl.** **15-09**

FIG. 5 is a front elevational view of the moveable barrier operator of FIG. 1;

(52) **U.S. Cl.** **D15/148**

FIG. 6 is a top plan view of the moveable barrier operator of FIG. 1;

(58) **Field of Search** D15/148; 49/197-206;
160/188-201

FIG. 7 is a perspective view of a moveable barrier operator according to our new design, the broken lines of the container are for illustrative purposes only and form no part of the claimed design;

(56) **References Cited**

U.S. PATENT DOCUMENTS

D404,746 S * 1/1999 Hormann D15/148
6,374,543 B1 * 4/2002 Bishai 49/199

FIG. 8 is a bottom view of the moveable barrier operator of FIG. 7;

* cited by examiner

FIG. 9 is a rear elevational view of the moveable barrier operator of FIG. 7;

Primary Examiner—Antoine Duval Davis

(74) *Attorney, Agent, or Firm*—Fitch, Even, Tabin & Flannery

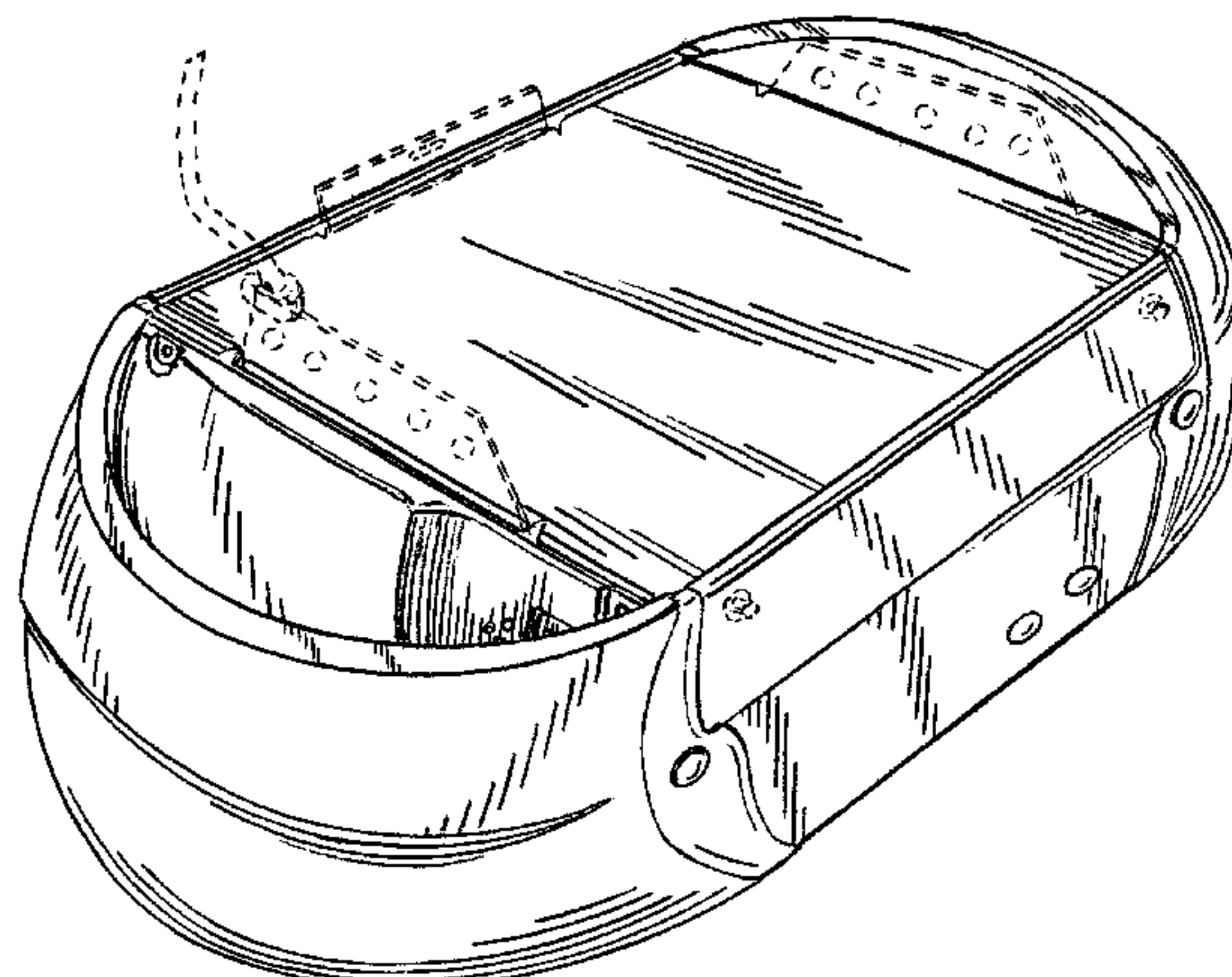
FIG. 10 is a top plan view of the moveable barrier operator of FIG. 7; and,

FIG. 11 is a front elevational view of the moveable barrier operator of FIG. 7.

(57) **CLAIM**

The ornamental design for a moveable barrier operator, as shown and described.

1 Claim, 6 Drawing Sheets



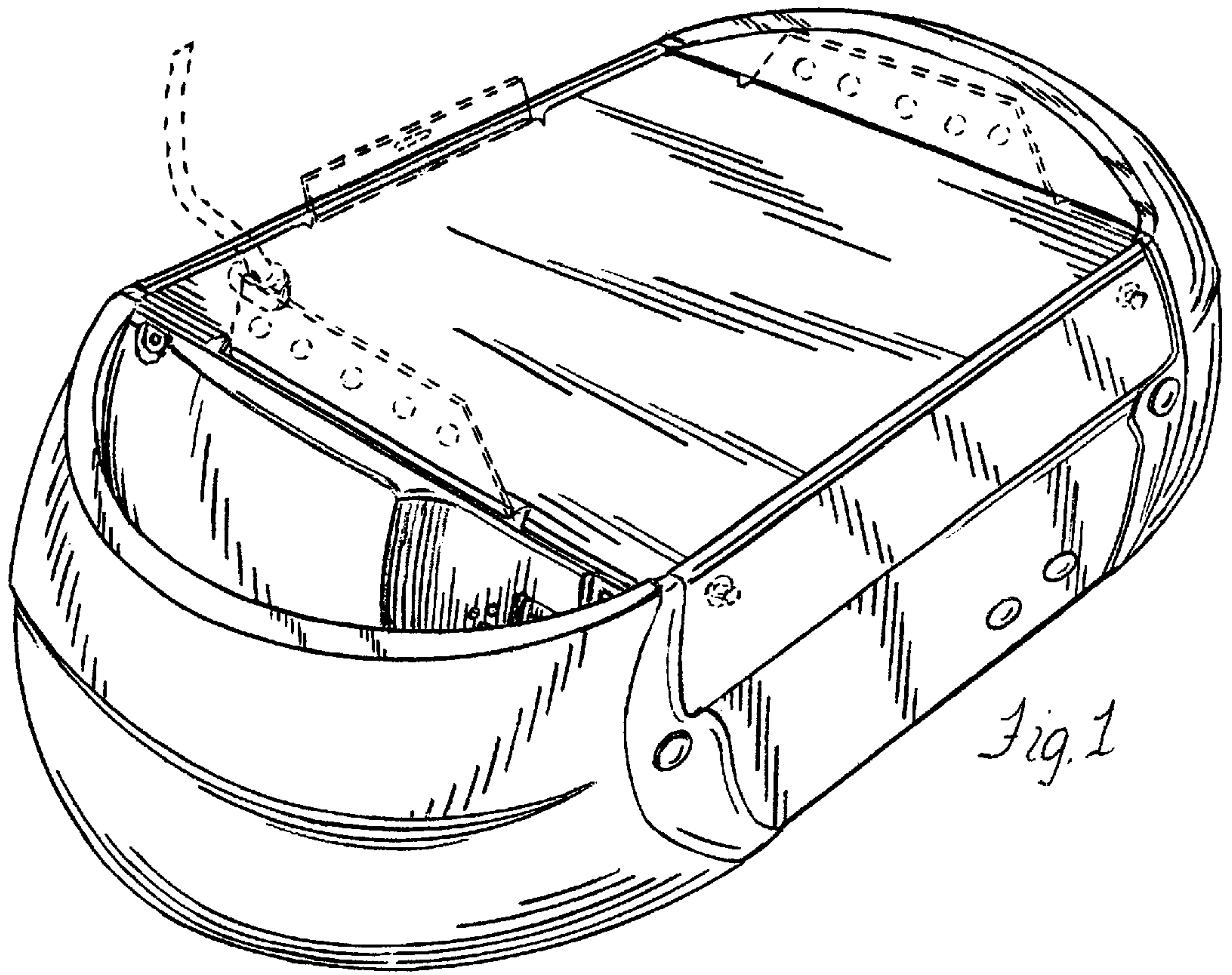


Fig. 1

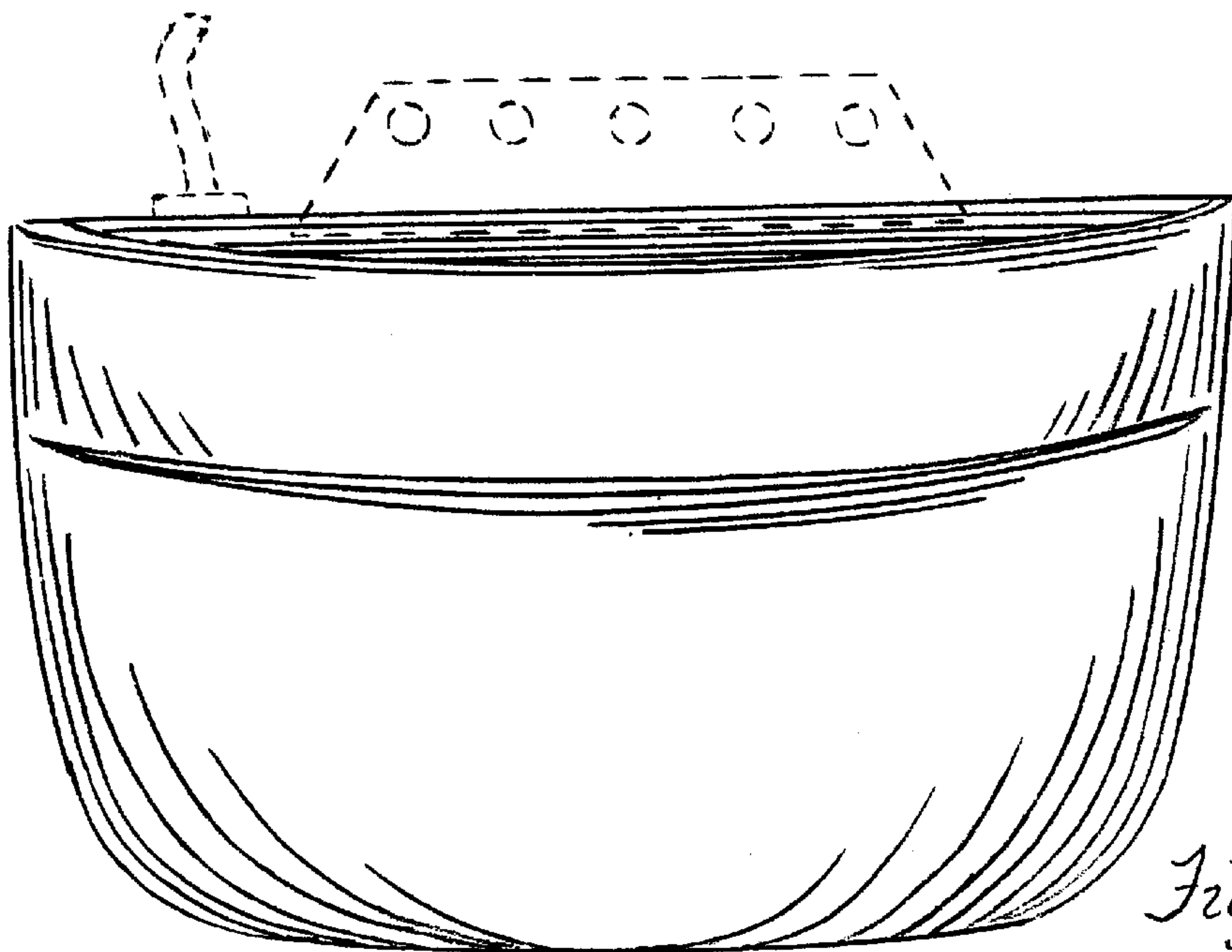


Fig. 2

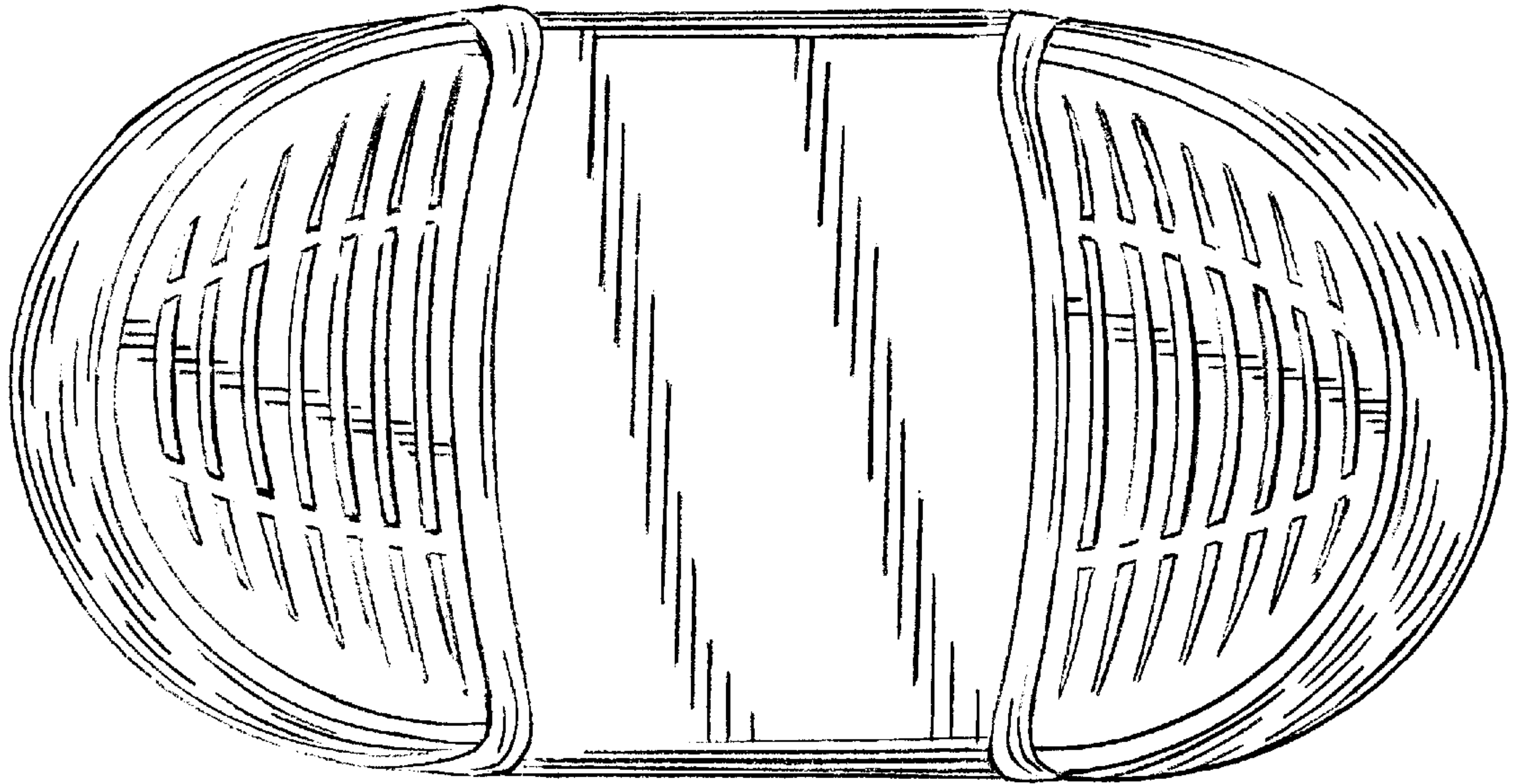


Fig. 3

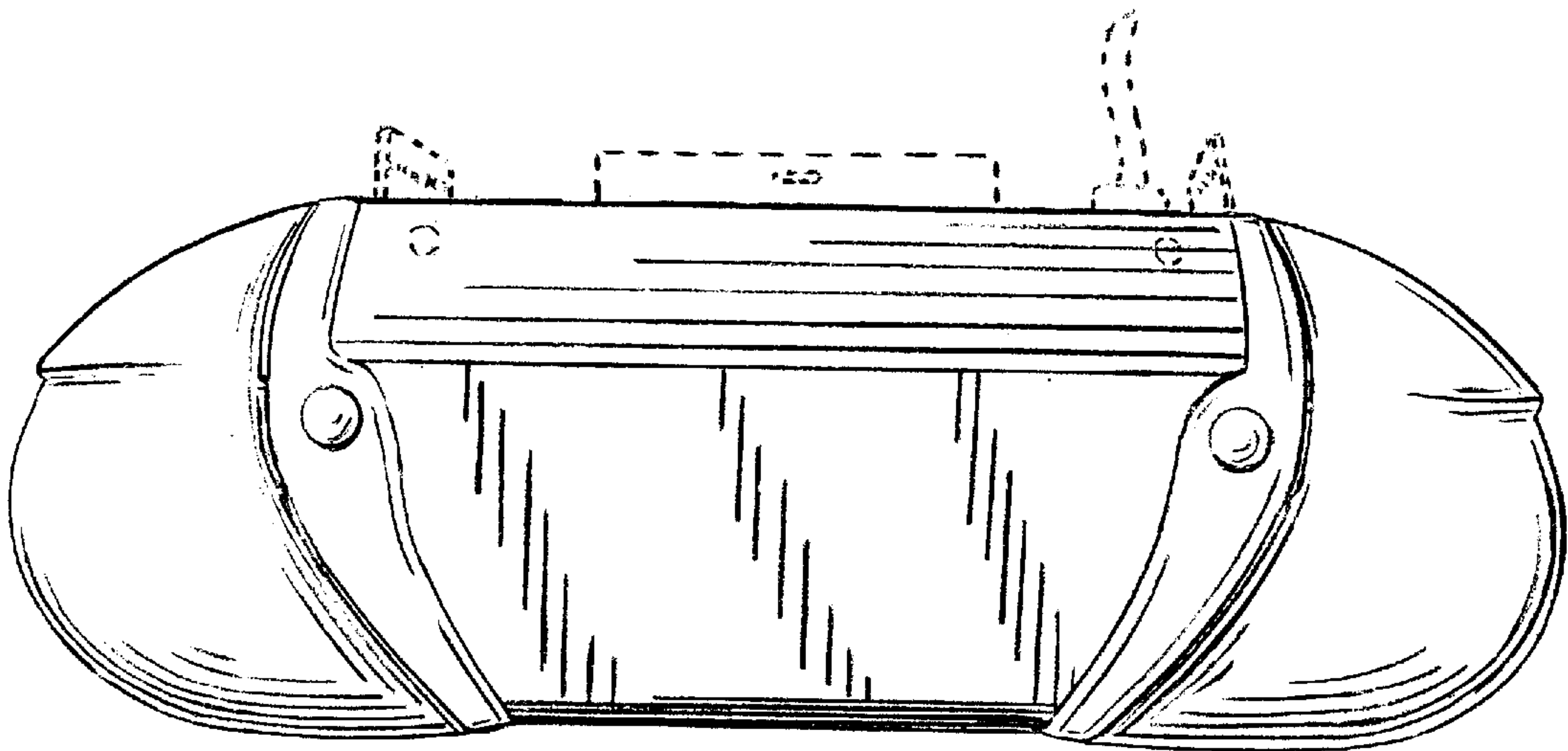


Fig. 4

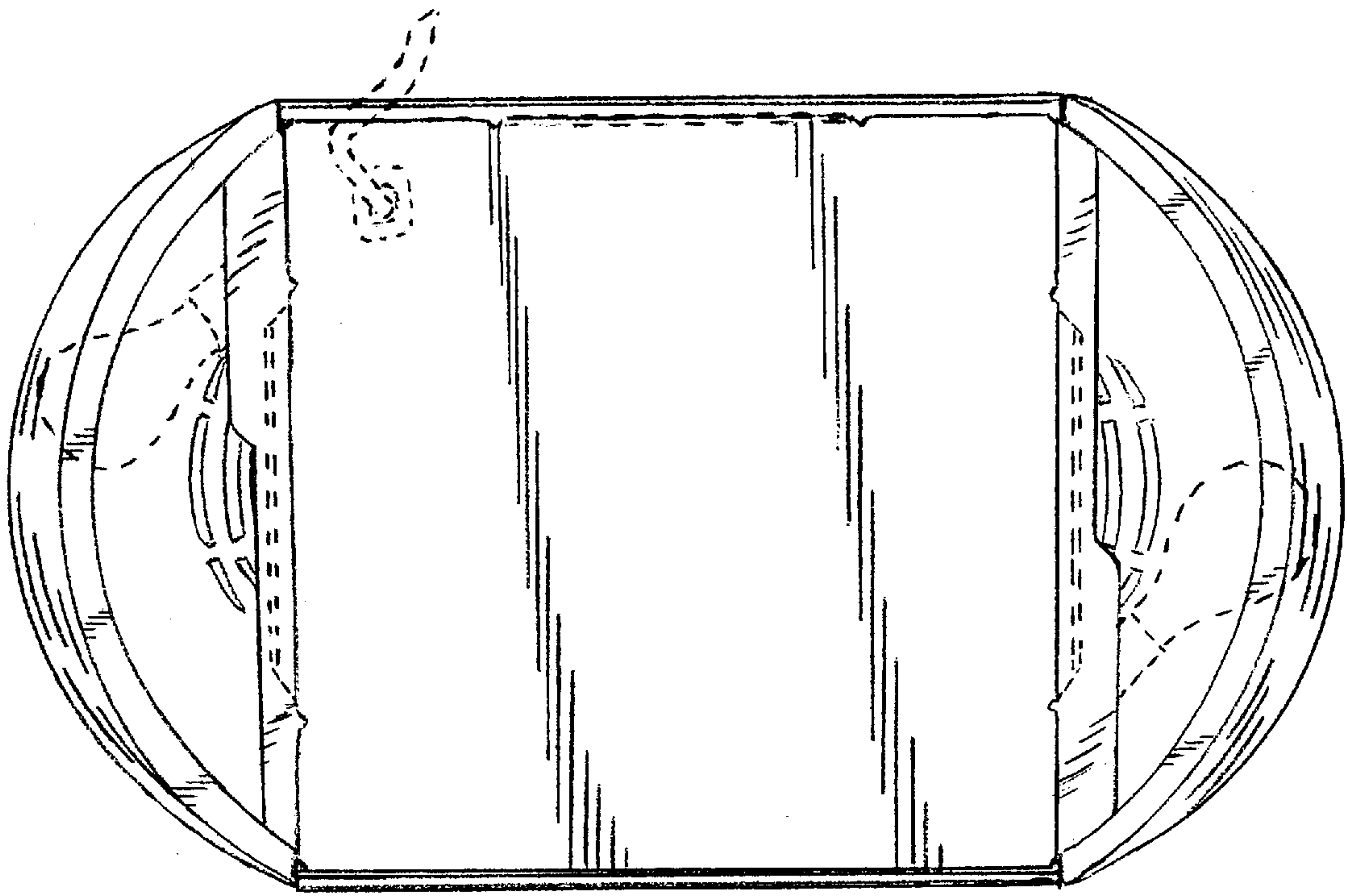


Fig. 6

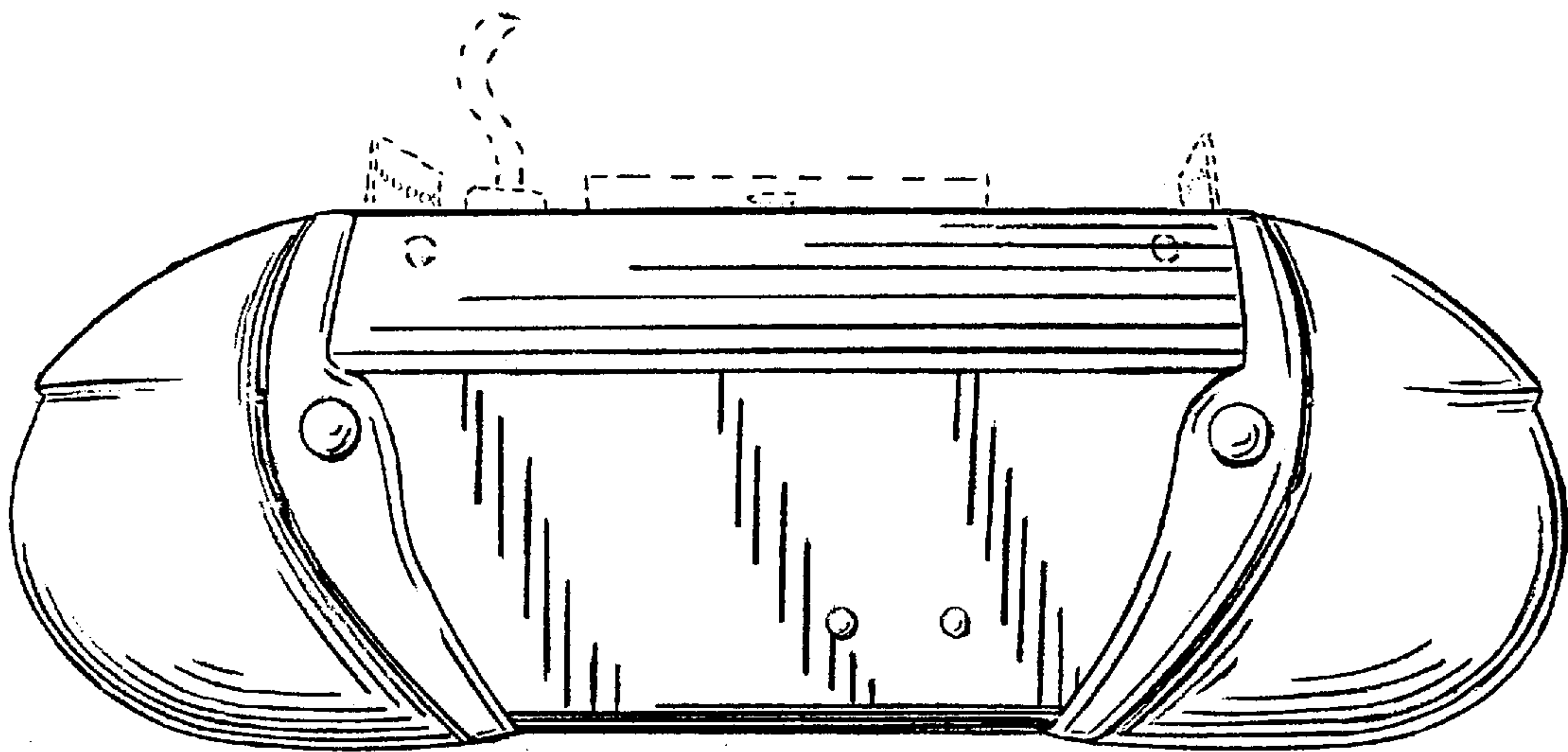
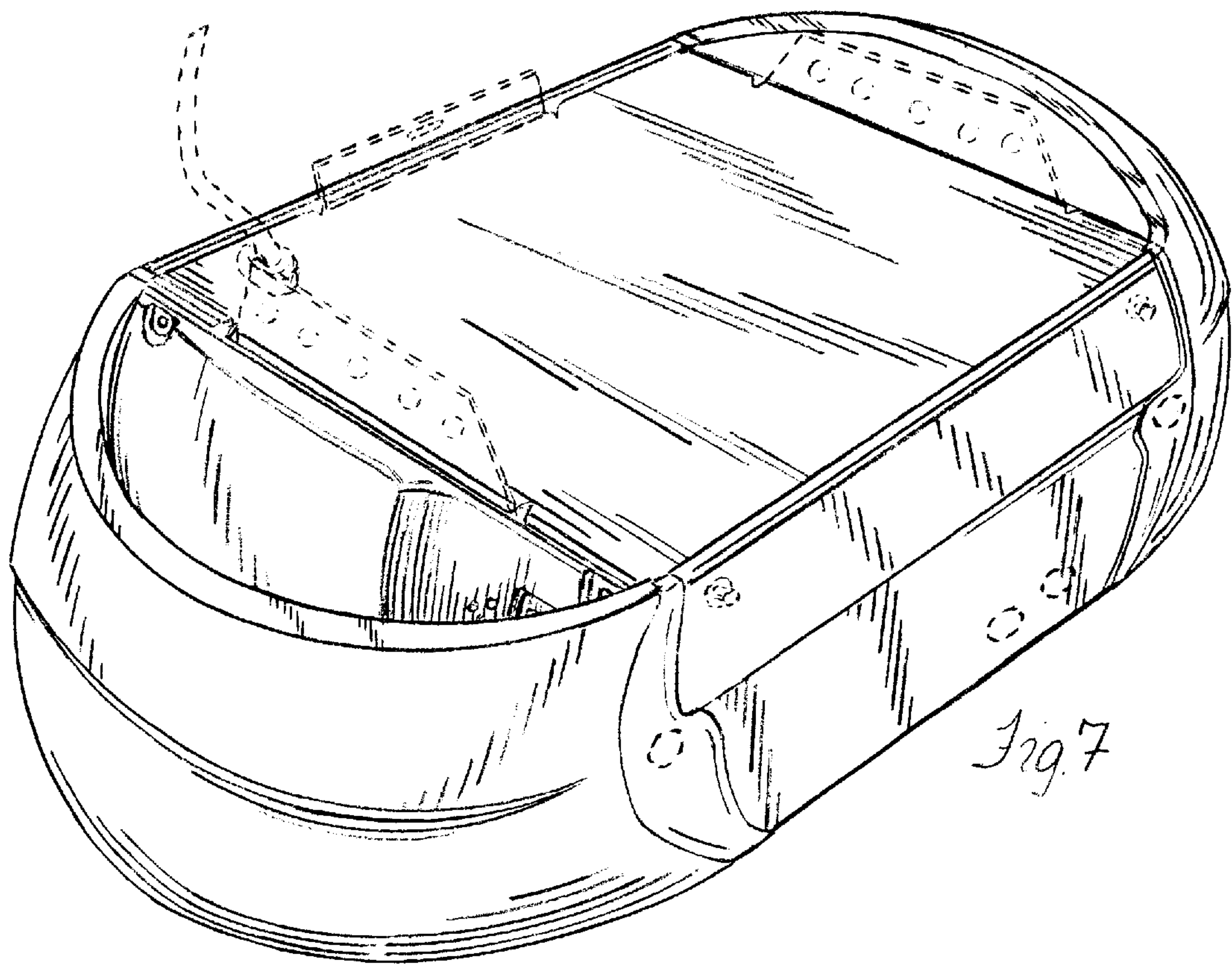


Fig. 5



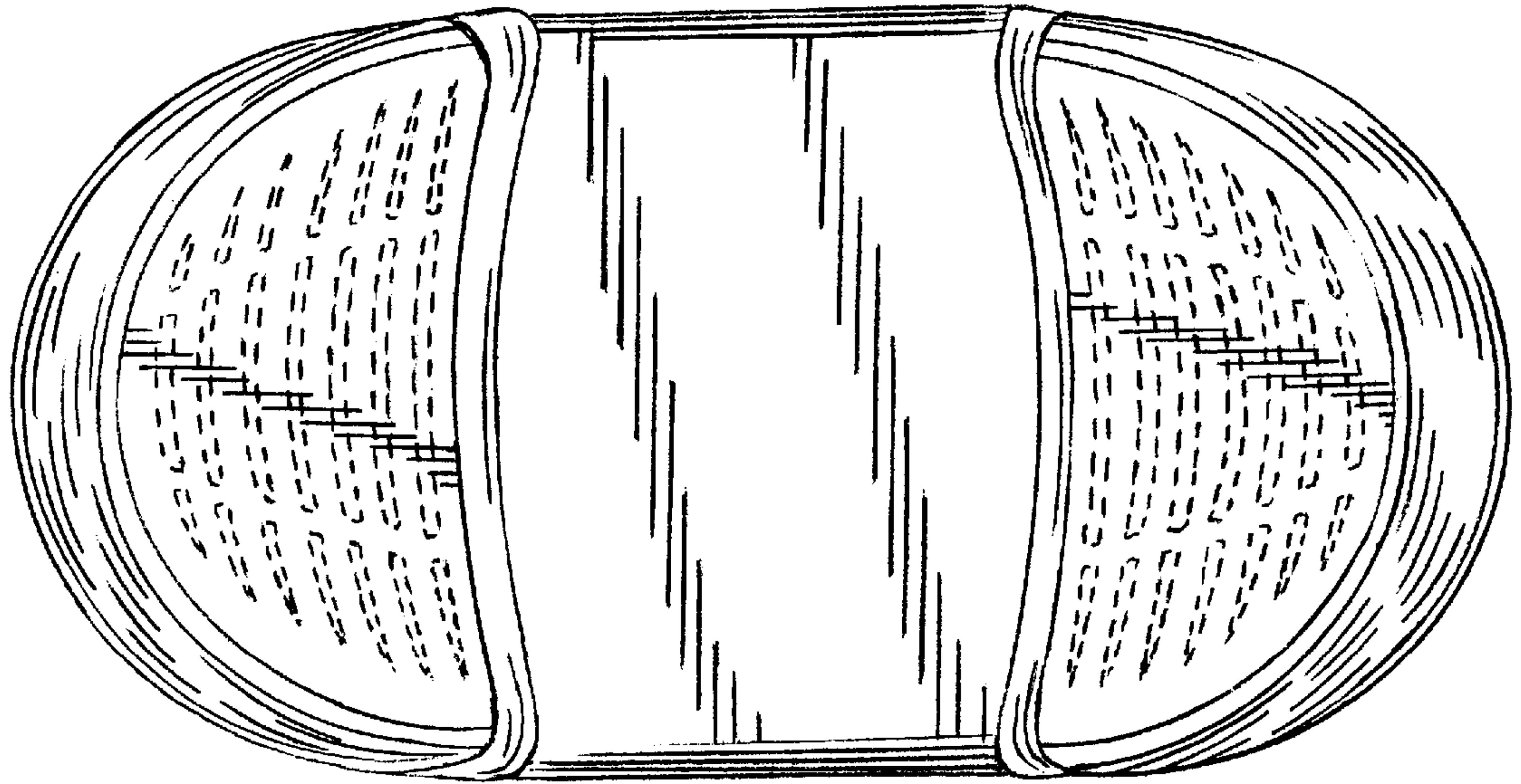


Fig. 8

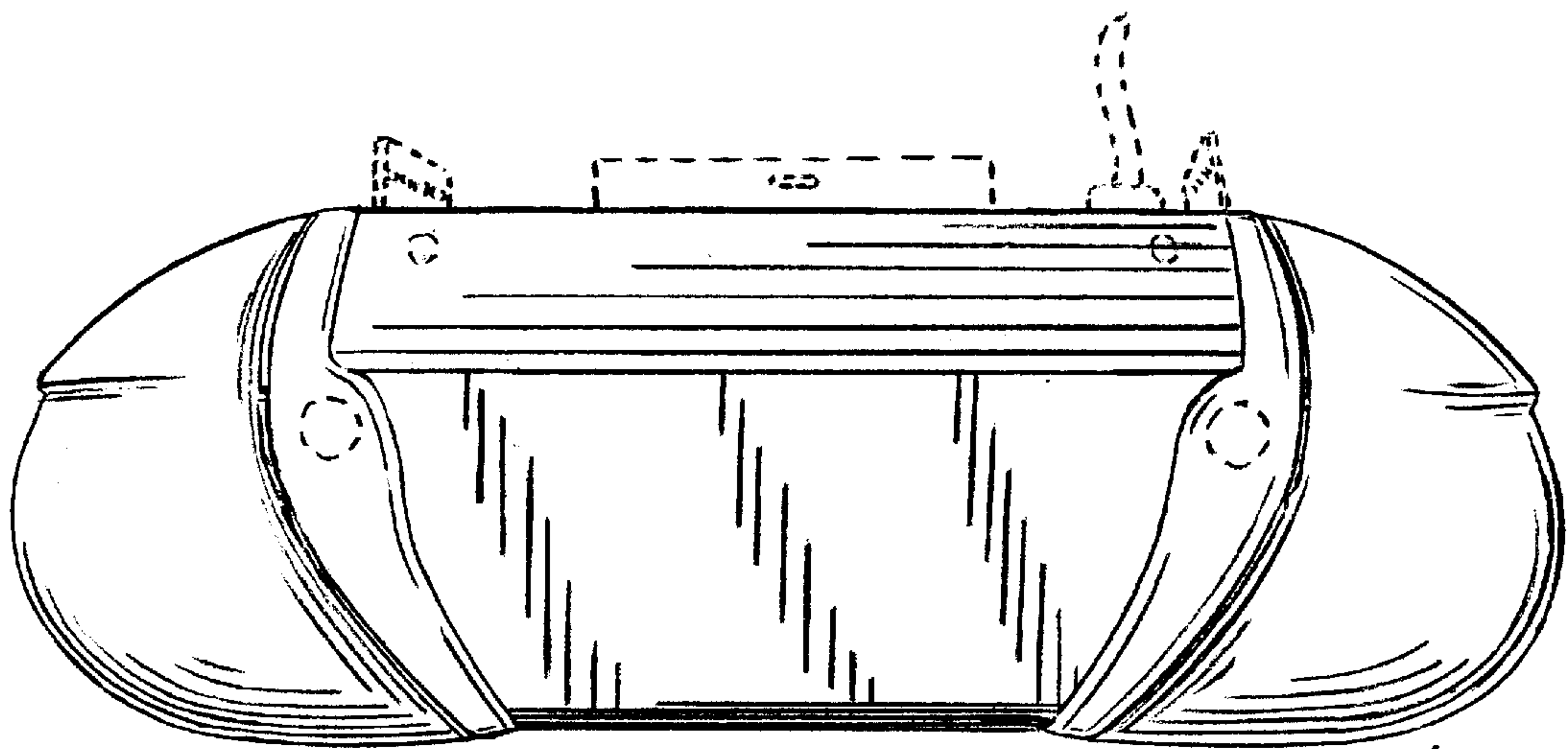


Fig. 9

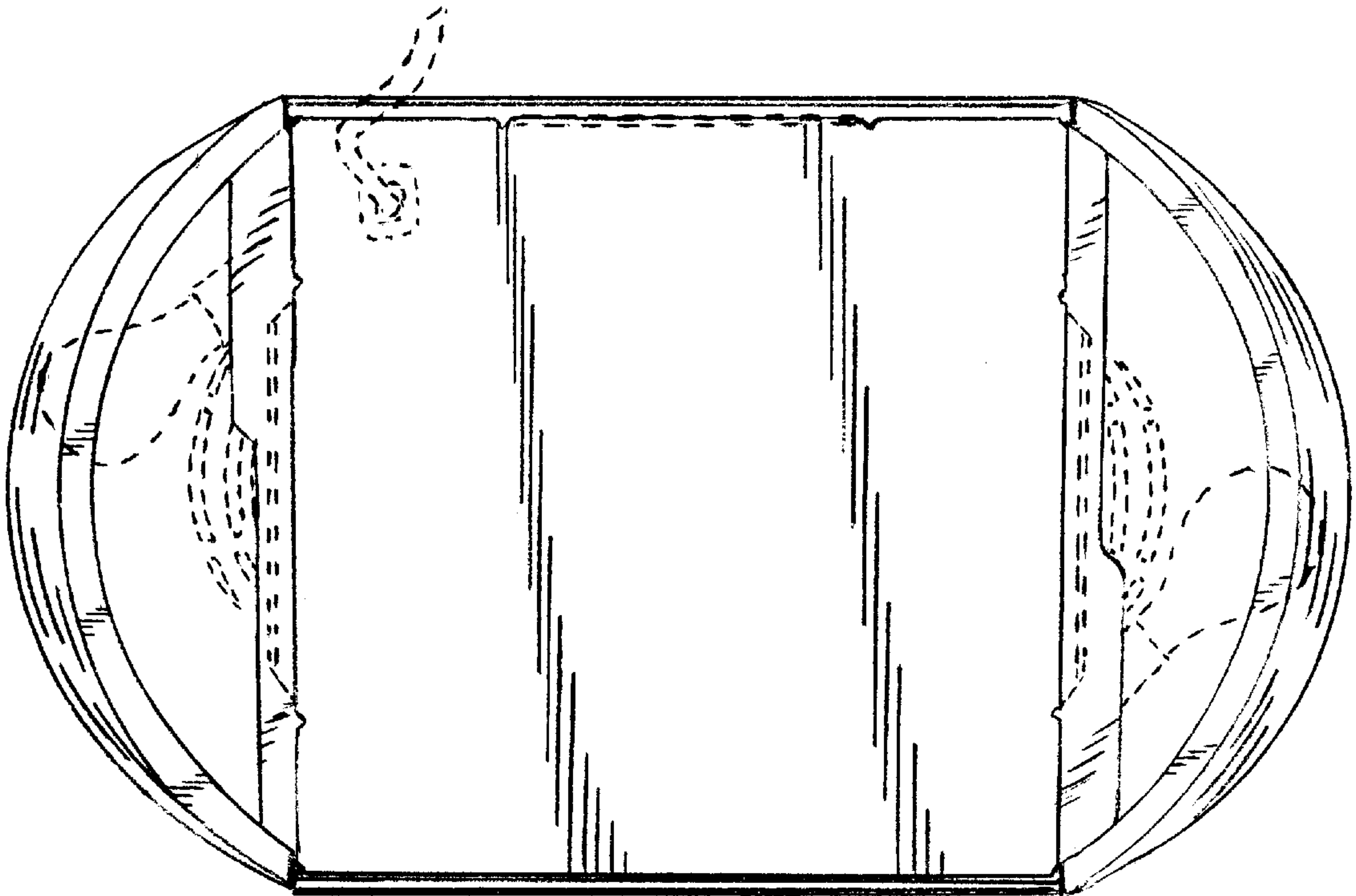


Fig 10

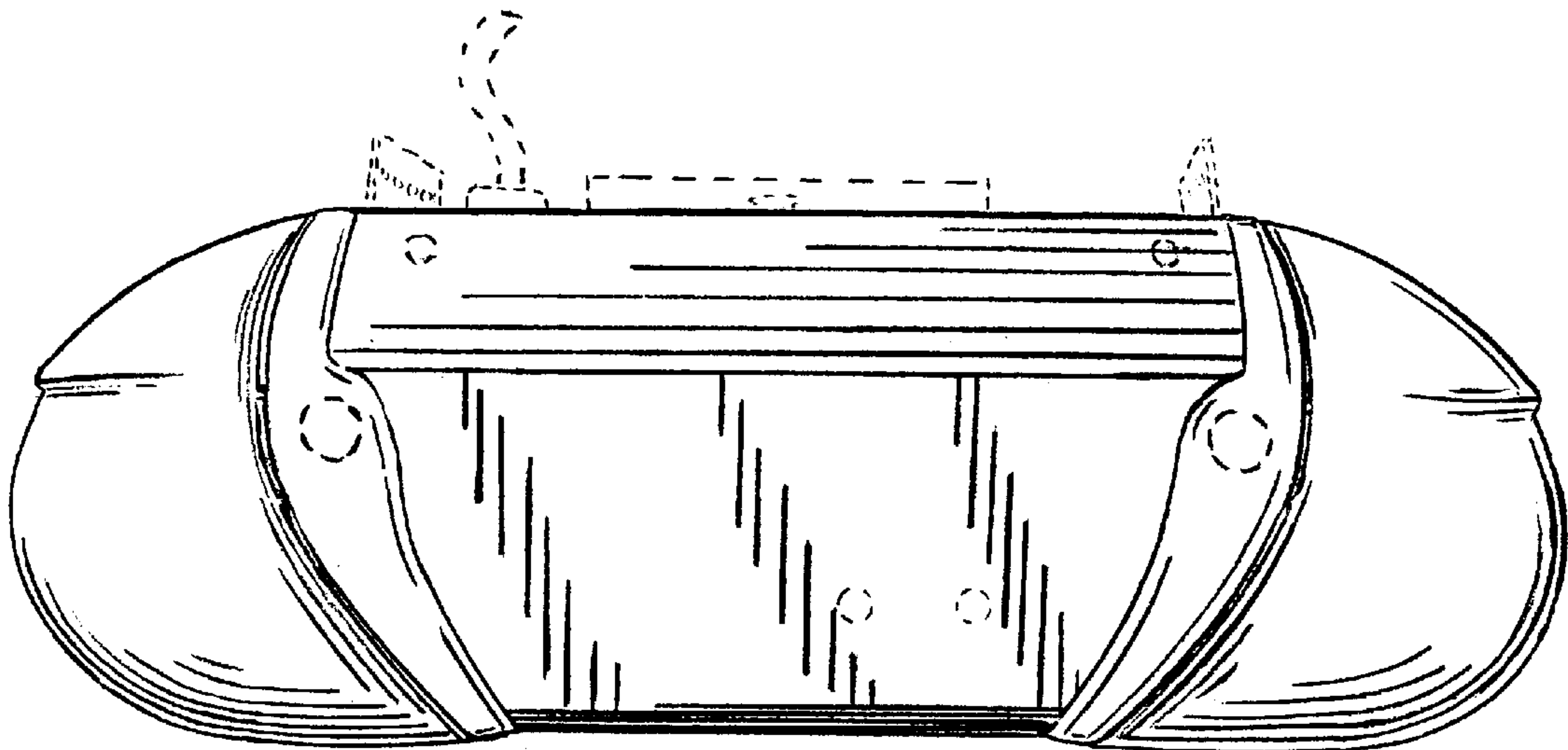


Fig 11