



US00D468755S

(12) **United States Design Patent**
Muñiz-Rivera et al.

(10) **Patent No.:** **US D468,755 S**
(45) **Date of Patent:** **** Jan. 14, 2003**

(54) **COMPACT REFRIGERATOR**

D354,064 S * 1/1995 Sims D15/88
D422,286 S * 4/2000 Choi et al. D15/81
D449,317 S * 10/2001 Chang et al. D15/86

(75) Inventors: **Gerardo Muñiz-Rivera**, San Luis Potosí (MX); **José Angel Avalos-Barcenas**, San Luis Potosí (MX); **Juan José Ramos-Alvarez**, San Luis Potosí (MX); **David Juarez-Castrezana**, San Luis Potosí (MX)

* cited by examiner

Primary Examiner—Mitchell Siegel
(74) *Attorney, Agent, or Firm*—Abelman, Frayne & Schwab

(73) Assignee: **Comercial Acros Whirpool, S.A. De C.V.**, Nuevo Leon (MX)

(57) **CLAIM**

(**) Term: **14 Years**

The ornamental design for compact refrigerator, as shown and described.

(21) Appl. No.: **29/152,605**

DESCRIPTION

(22) Filed: **Dec. 20, 2001**

(30) **Foreign Application Priority Data**

Jun. 21, 2001 (MX) NL/F/2001/000012

FIG. 1 is a perspective view of a compact refrigerator design;

(51) **LOC (7) Cl.** **15-07**

(52) **U.S. Cl.** **D15/81**

FIG. 2 is another perspective view of the compact refrigerator, showing the bottom;

(58) **Field of Search** D15/79-88; 62/373, 62/384, 440; 312/116, 119, 139.2, 236

FIG. 3 is a front elevation view thereof;

(56) **References Cited**

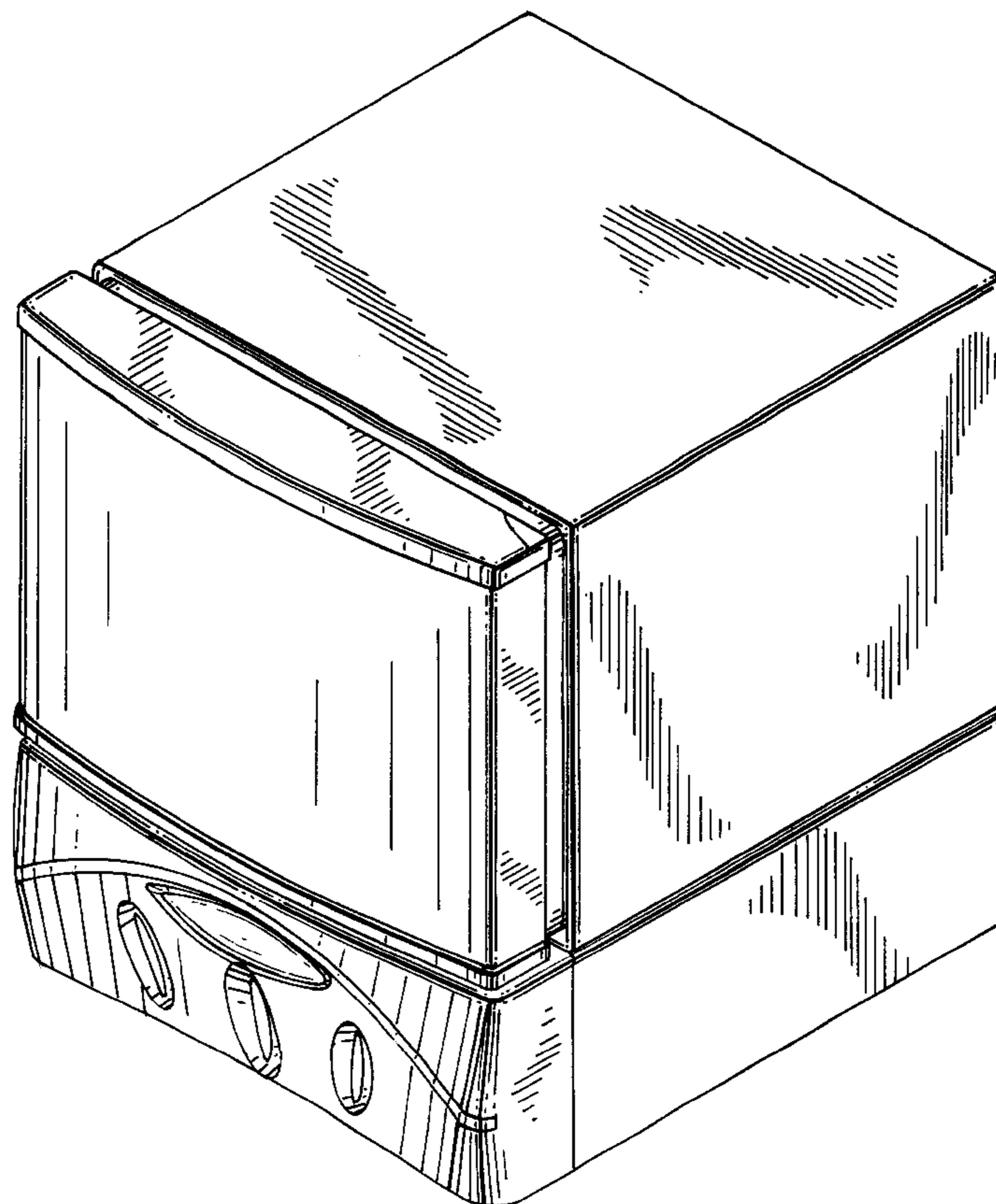
FIG. 4 is a right side elevational view thereof, the other side being identical; and,

U.S. PATENT DOCUMENTS

FIG. 5 is a bottom plan view thereof.

5,249,706 A * 10/1993 Szabo 222/20

1 Claim, 5 Drawing Sheets



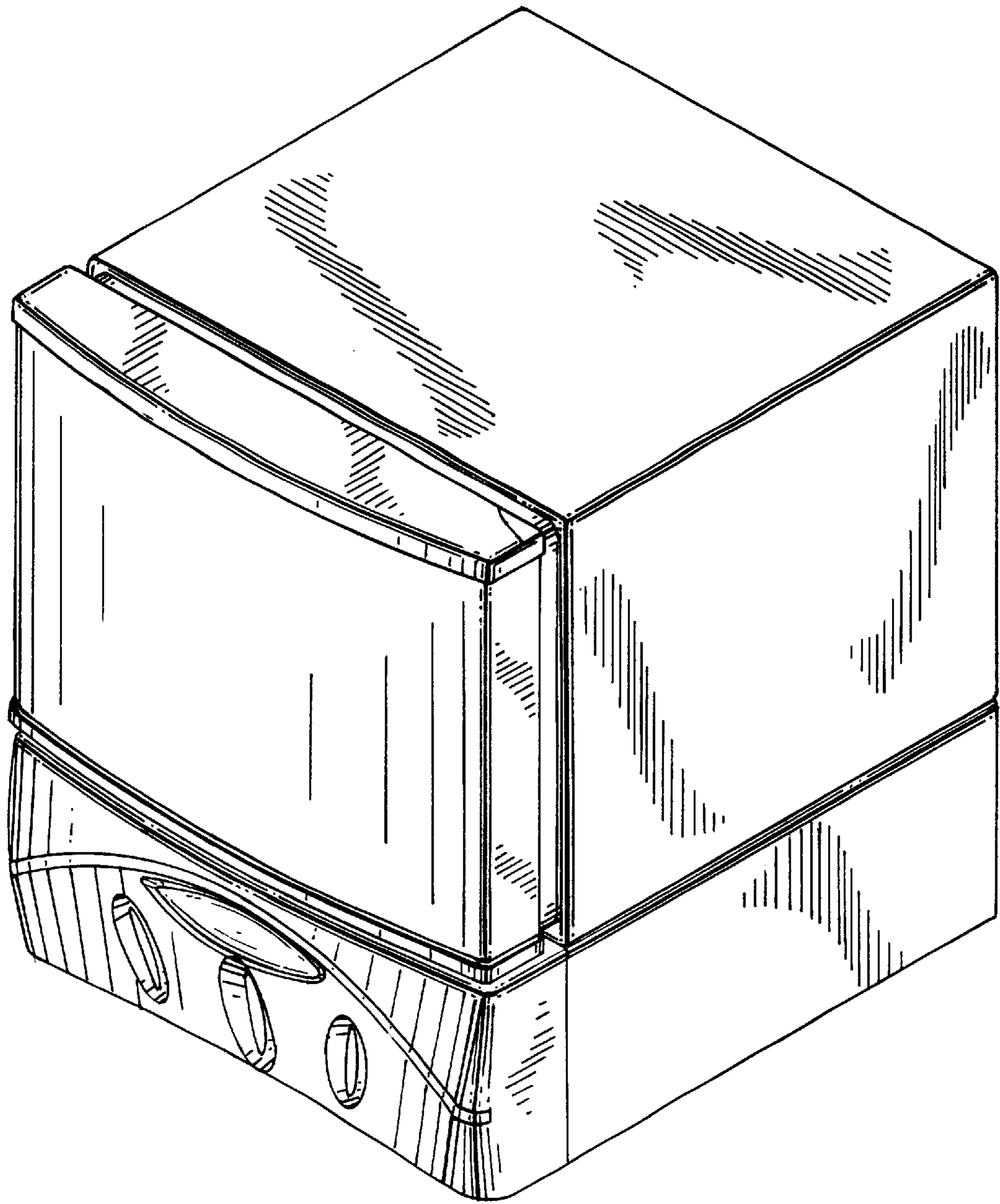


FIG. 1

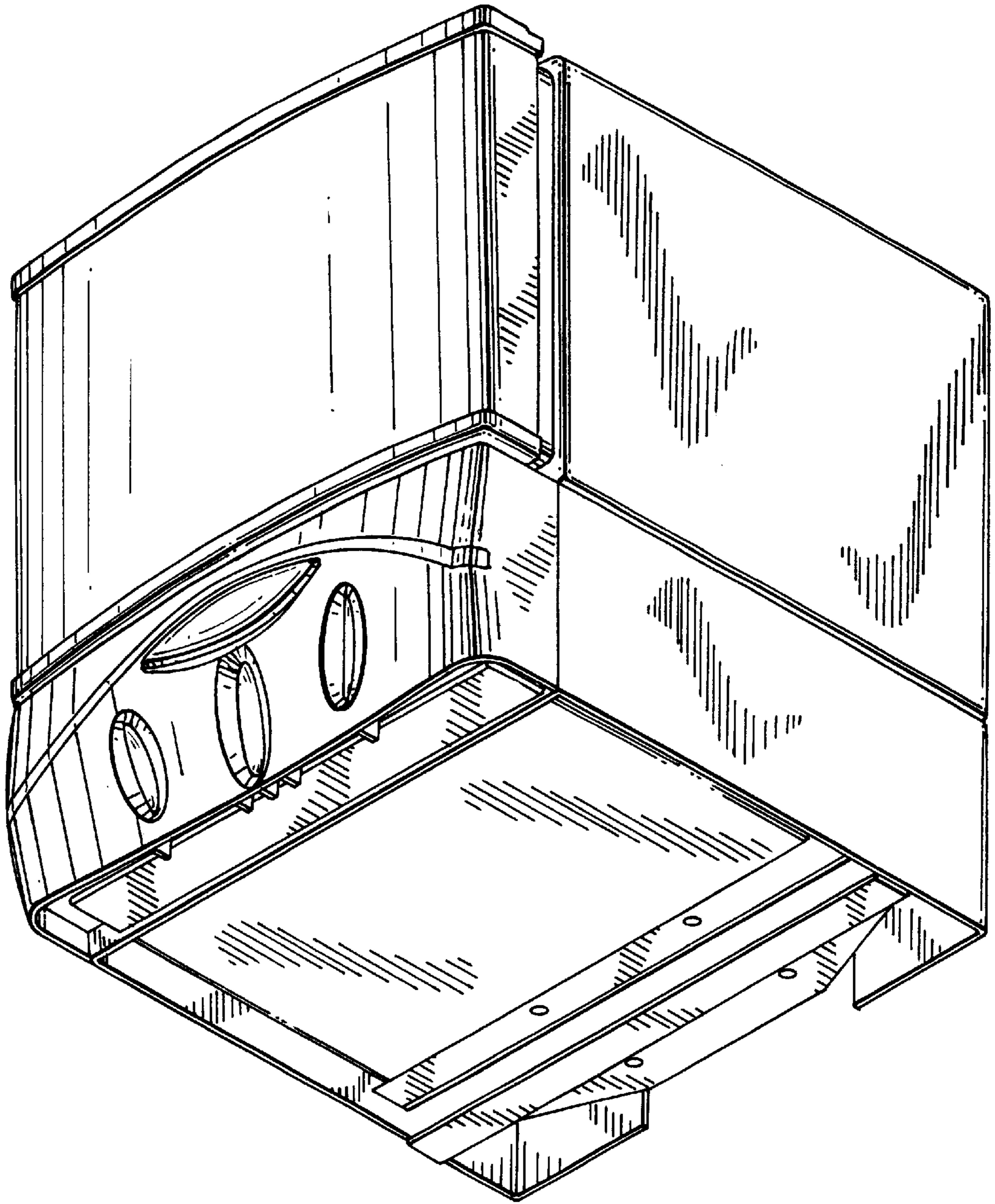


FIG. 2

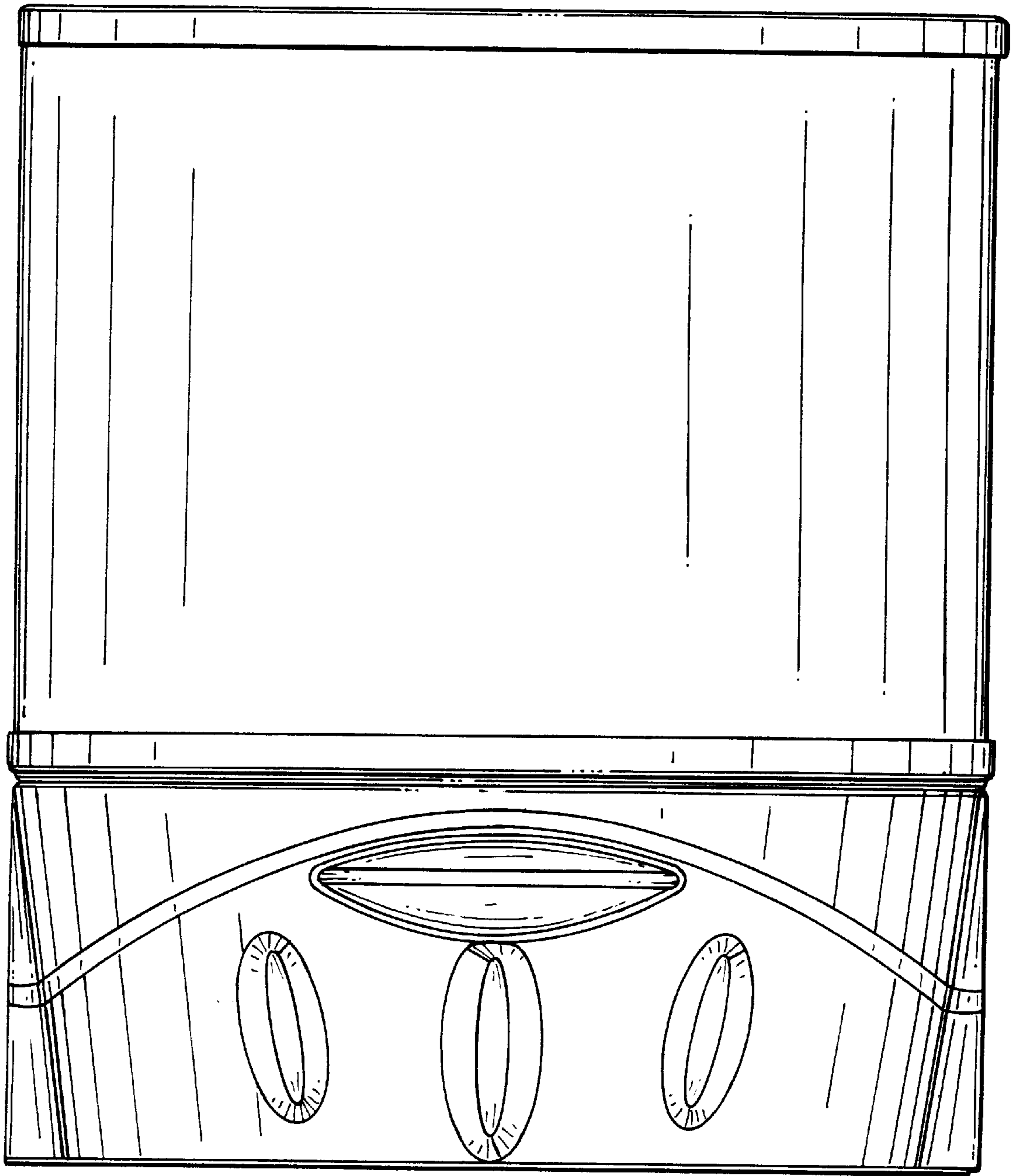


FIG. 3

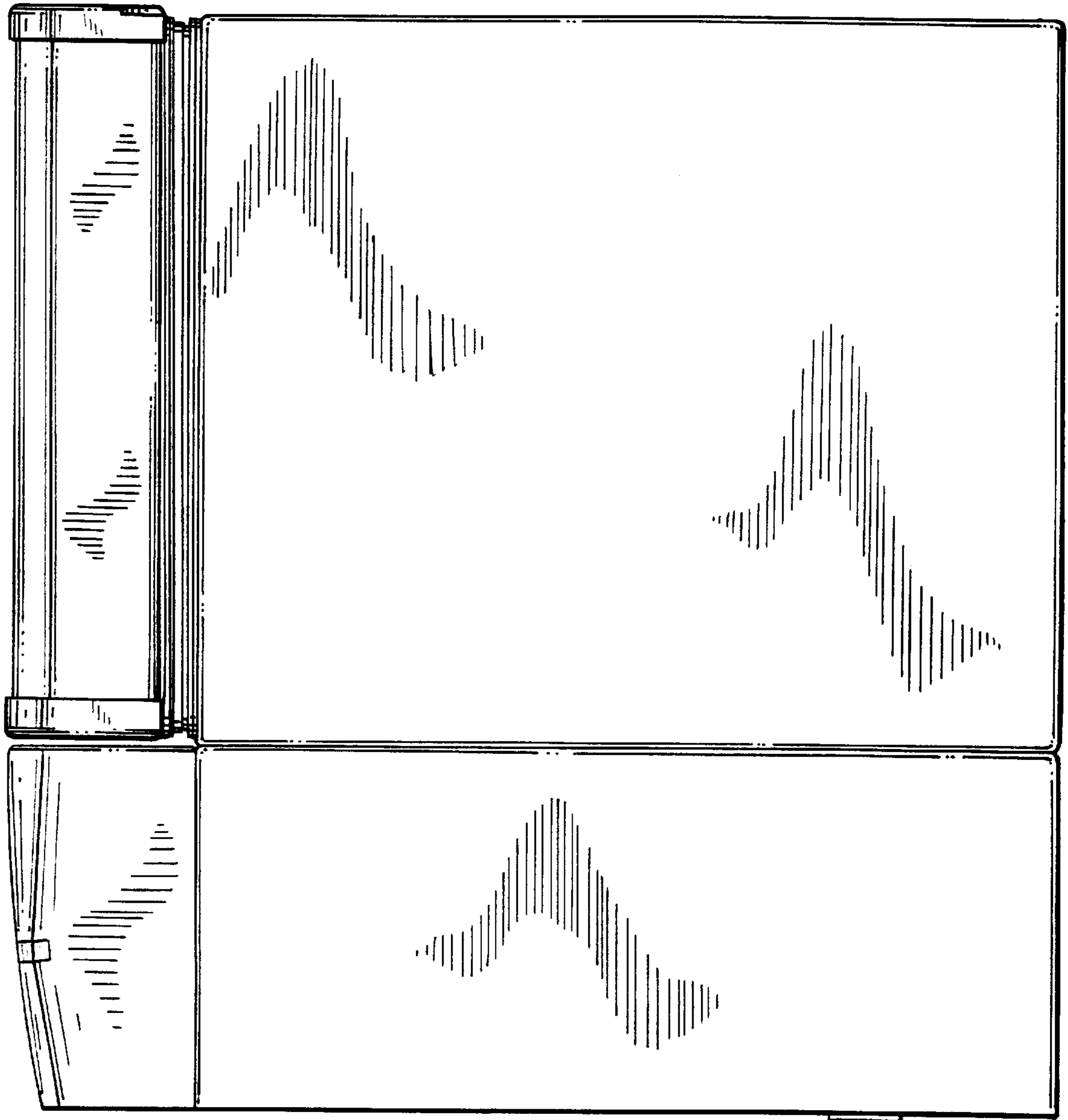


FIG. 4

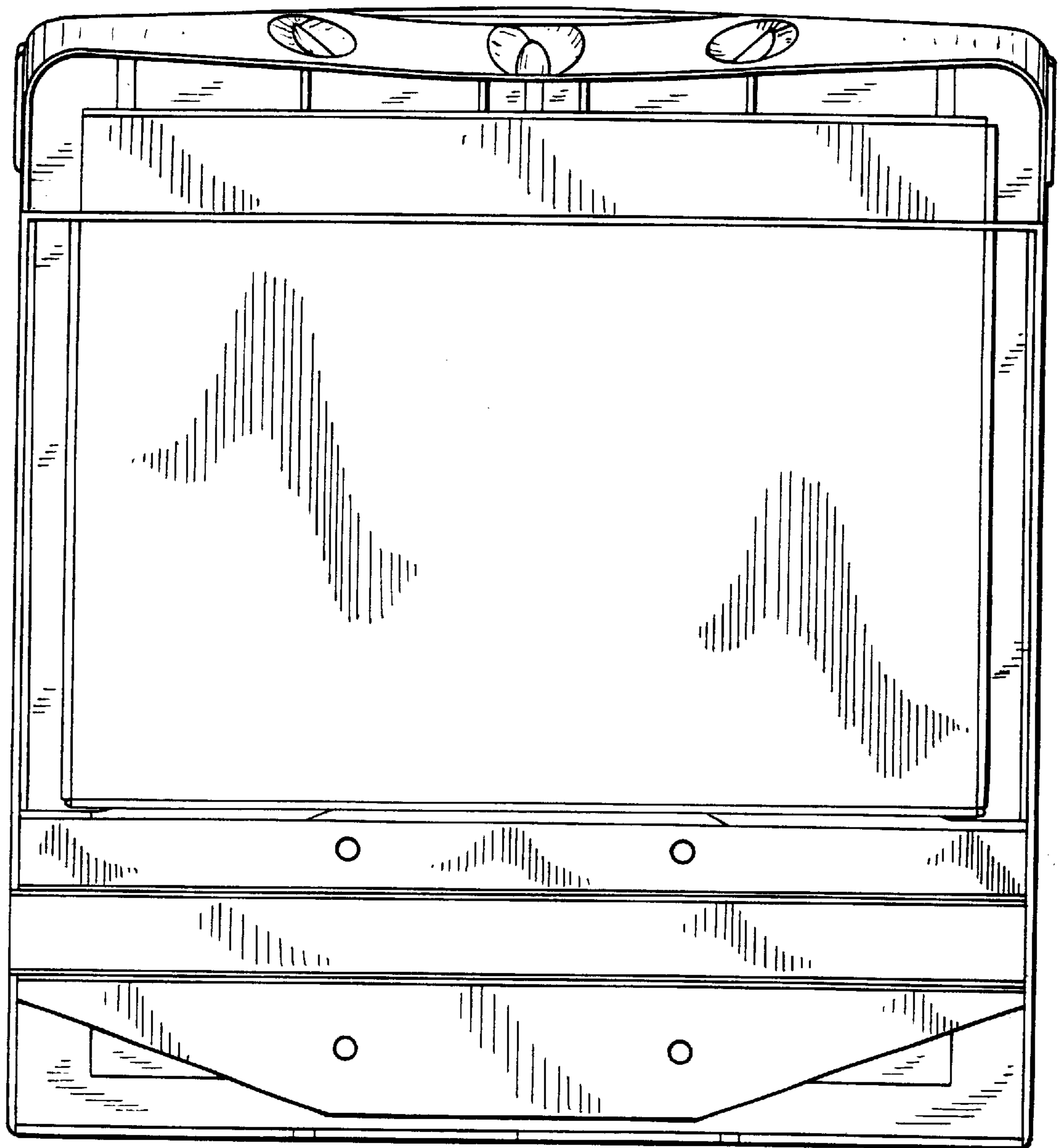


FIG. 5