



US00D468747S

(12) **United States Design Patent**
Kwon

(10) **Patent No.:** **US D468,747 S**

(45) **Date of Patent:** **** Jan. 14, 2003**

(54) **CPU HOLDER**

(75) **Inventor:** **Dong-Yul Kwon, Seoul (KR)**

(73) **Assignee:** **Fursys, Inc., Seoul (KR)**

(**) **Term:** **14 Years**

(21) **Appl. No.:** **29/151,774**

(22) **Filed:** **Nov. 6, 2001**

(51) **LOC (7) Cl.** **14-02**

(52) **U.S. Cl.** **D14/451; D14/447**

(58) **Field of Search** **D14/432, 435, D14/436, 437, 449, 509-512, 491, 439, 447; 248/346.01, 917-924, 188.1; 200/5 R, 5 A, 6 R, 6 A; 361/679-685; D13/184, 199**

(56) **References Cited**

U.S. PATENT DOCUMENTS

D337,762 S * 7/1993 Crane D14/451

D362,246 S * 9/1995 Evenson et al. D14/451
D373,761 S * 9/1996 Yu D14/451
D430,884 S * 9/2000 Hung D14/447
D448,950 S * 10/2001 McIveen D6/449

* cited by examiner

Primary Examiner—Kay H. Chin

(74) *Attorney, Agent, or Firm*—Merchant & Gould P.C.

(57) **CLAIM**

The ornamental design for CPU holder, as shown and described.

DESCRIPTION

FIG. 1 is a perspective view thereof;
FIG. 2 is a front view thereof;
FIG. 3 is a rear view thereof;
FIG. 4 is a left side view thereof;
FIG. 5 is a right side view thereof;
FIG. 6 is a top elevational view thereof; and,
FIG. 7 is a bottom view thereof.

1 Claim, 5 Drawing Sheets

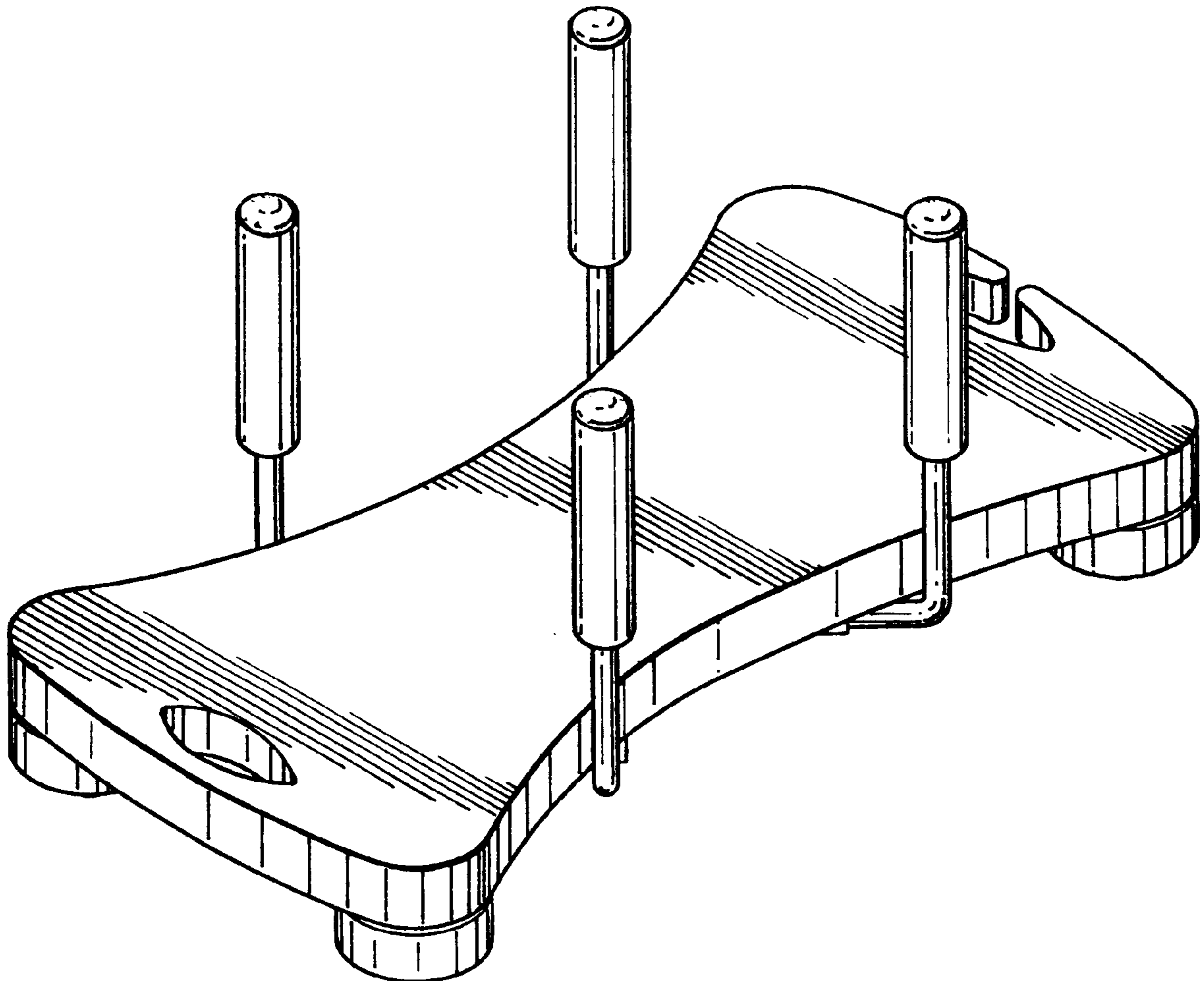


FIG. 1

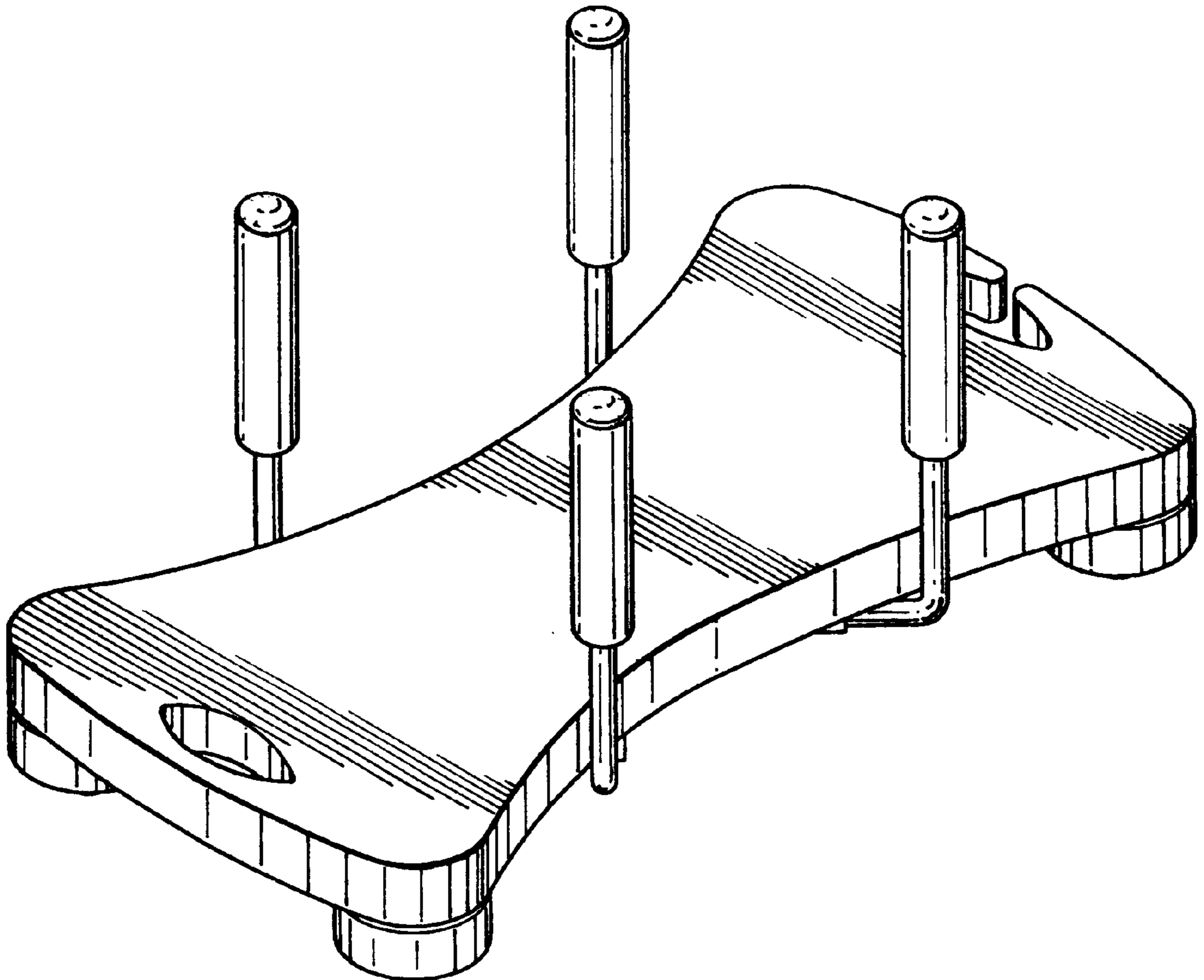


FIG. 2

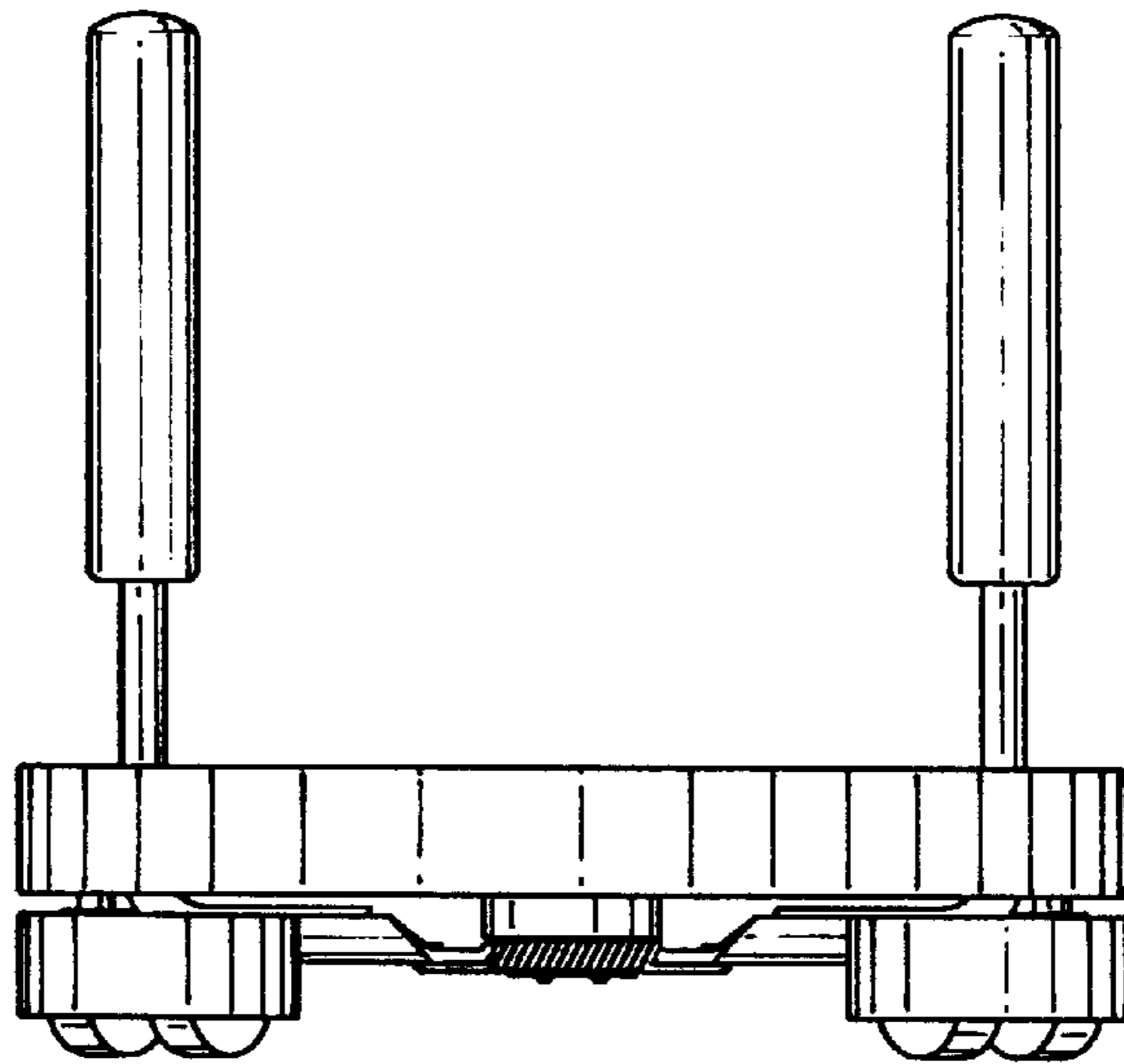


FIG. 3

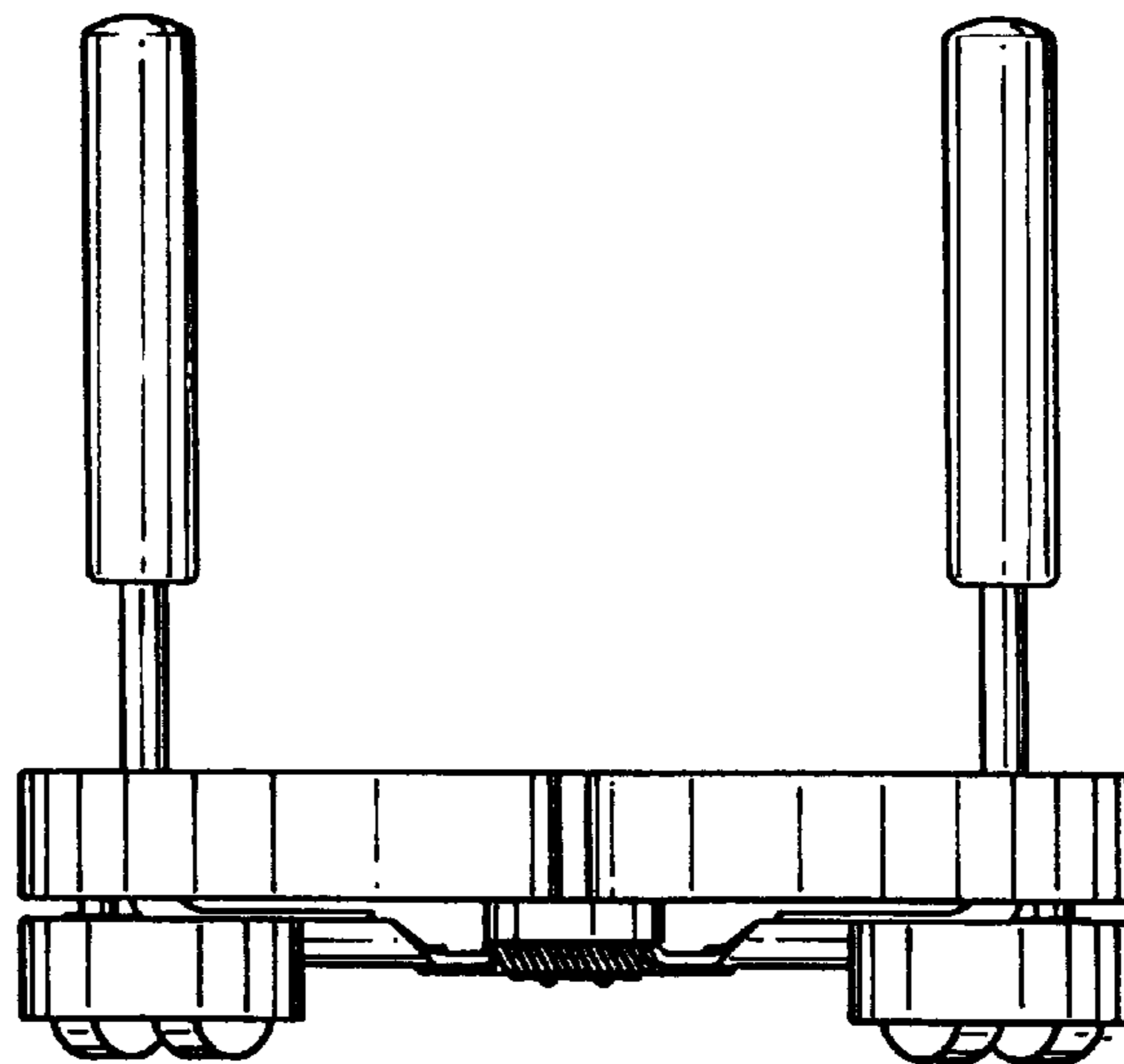


FIG. 4

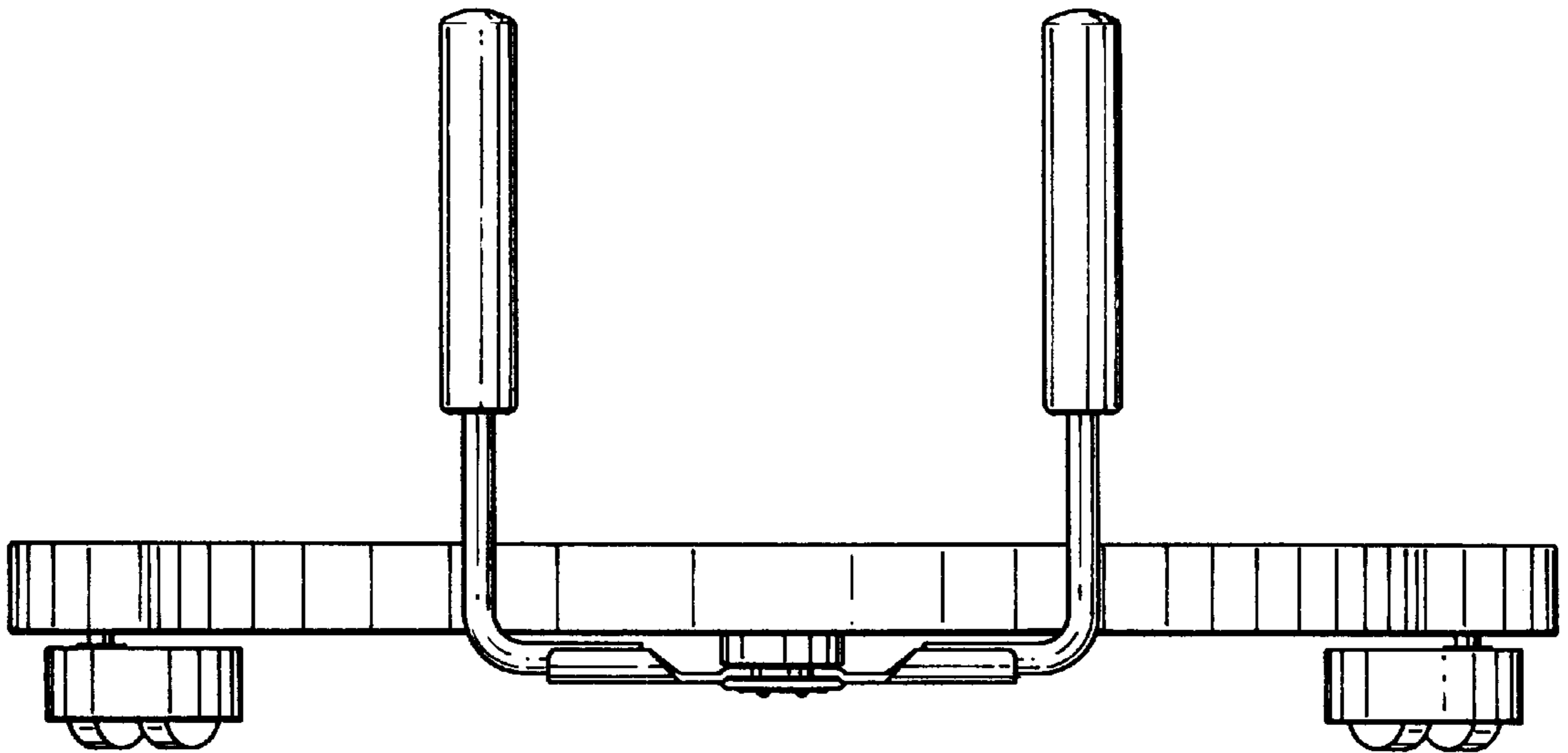


FIG. 5

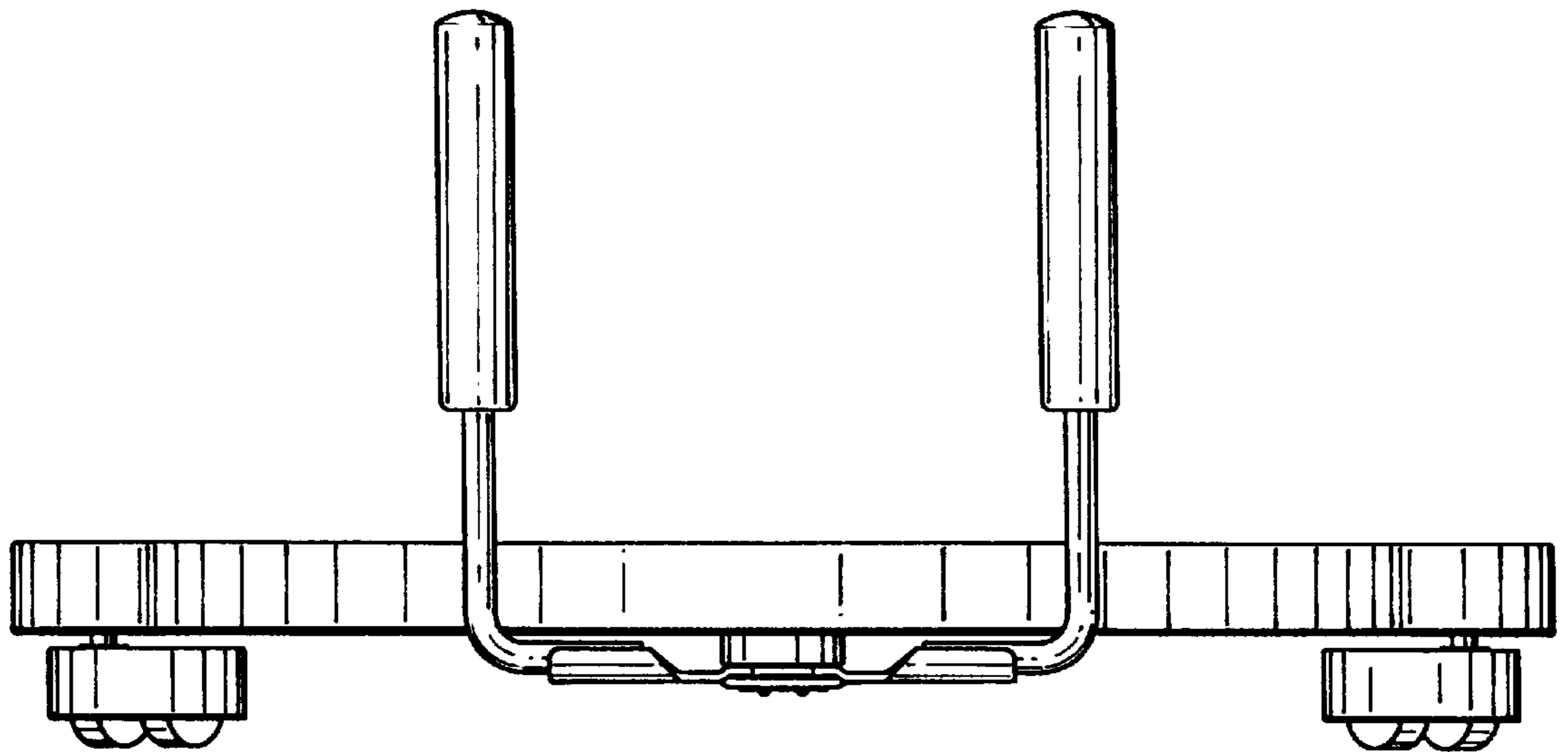


FIG. 6

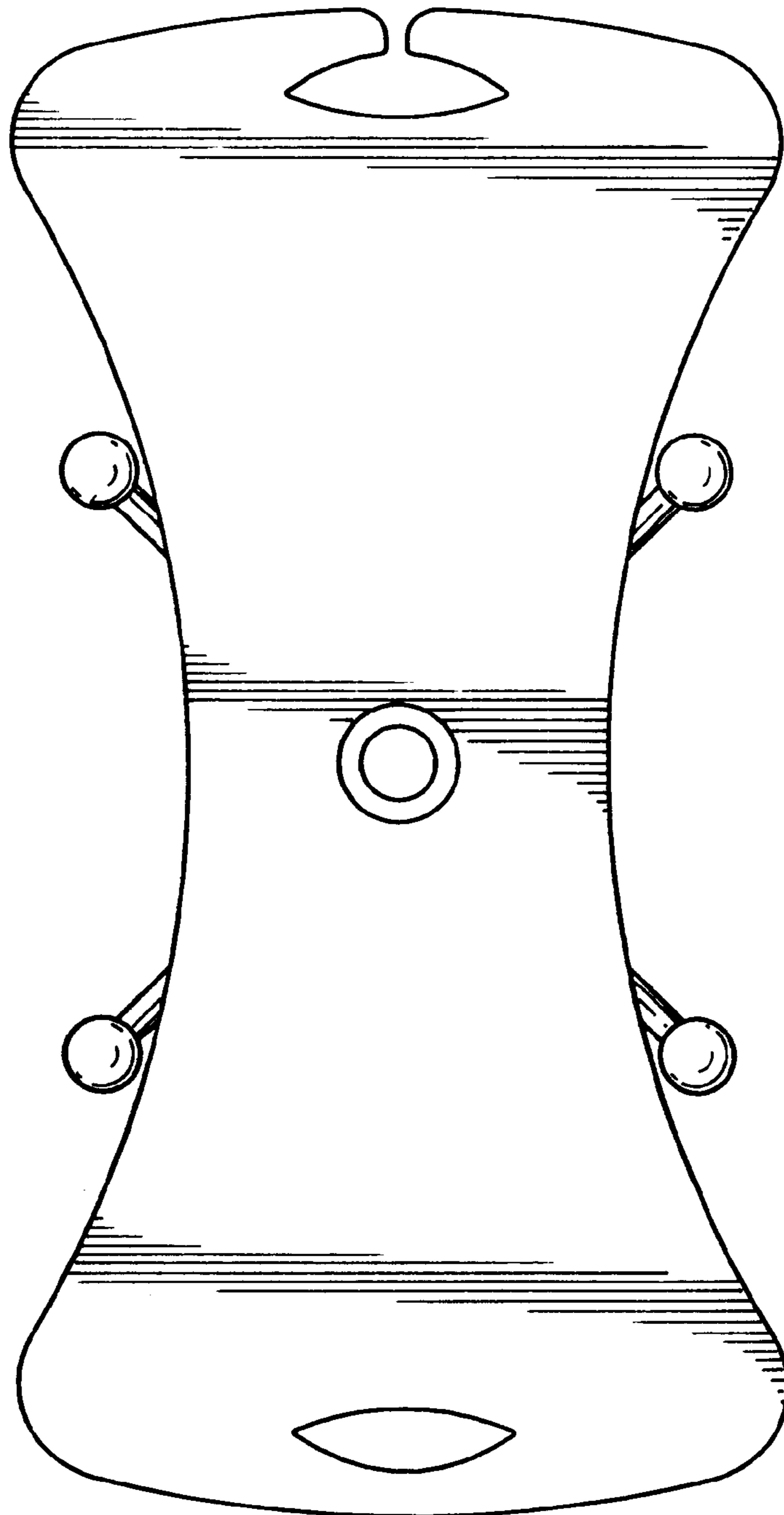


FIG. 7

