



US00D468739S

(12) **United States Design Patent**
Hasegawa et al.

(10) **Patent No.:** **US D468,739 S**

(45) **Date of Patent:** **** Jan. 14, 2003**

(54) **COMPUTER DISPLAY**

D431,566 S * 10/2000 Chuo et al. D14/375
D432,101 S * 10/2000 Oba D14/126

(75) Inventors: **Kenichi Hasegawa**, Minato-ku (JP);
Masami Uehara, Minato-ku (JP);
Etsuyo Yamada, Minato-ku (JP)

* cited by examiner

(73) Assignee: **NEC-Mitsubishi Electric Visual Systems Co.**, Tokyo (JP)

Primary Examiner—Freda Nunn

(74) *Attorney, Agent, or Firm*—Sughrue Mion, PLLC

(**) Term: **14 Years**

(57) **CLAIM**

The ornamental design for a computer display, as shown and described.

(21) Appl. No.: **29/155,193**

(22) Filed: **Feb. 7, 2002**

DESCRIPTION

(30) **Foreign Application Priority Data**

Aug. 10, 2001 (JP) 2001-023792

(51) **LOC (7) Cl.** **14-02**

(52) **U.S. Cl.** **D14/375**

(58) **Field of Search** D14/336, 371,
D14/374, 375, 125-129; 345/104, 156,
168, 173; 348/180, 184, 325, 739; 248/917-924;
349/1, 2, 11; 341/12

FIG. 1 is a perspective view of the top, front and right side of a computer display showing our new design;

FIG. 2 is a front elevational view thereof;

FIG. 3 is a top plan view thereof;

FIG. 4 is a bottom plan view thereof;

FIG. 5 is a rear elevational view thereof;

FIG. 6 is a left side elevational view thereof;

FIG. 7 is a right side elevational view thereof; and,

FIG. 8 is a cross-sectional view thereof taken along line 8-8 in Figure 2 which omits the internal structure.

(56) **References Cited**

U.S. PATENT DOCUMENTS

D397,094 S * 8/1998 Kishi et al. D14/337

1 Claim, 8 Drawing Sheets

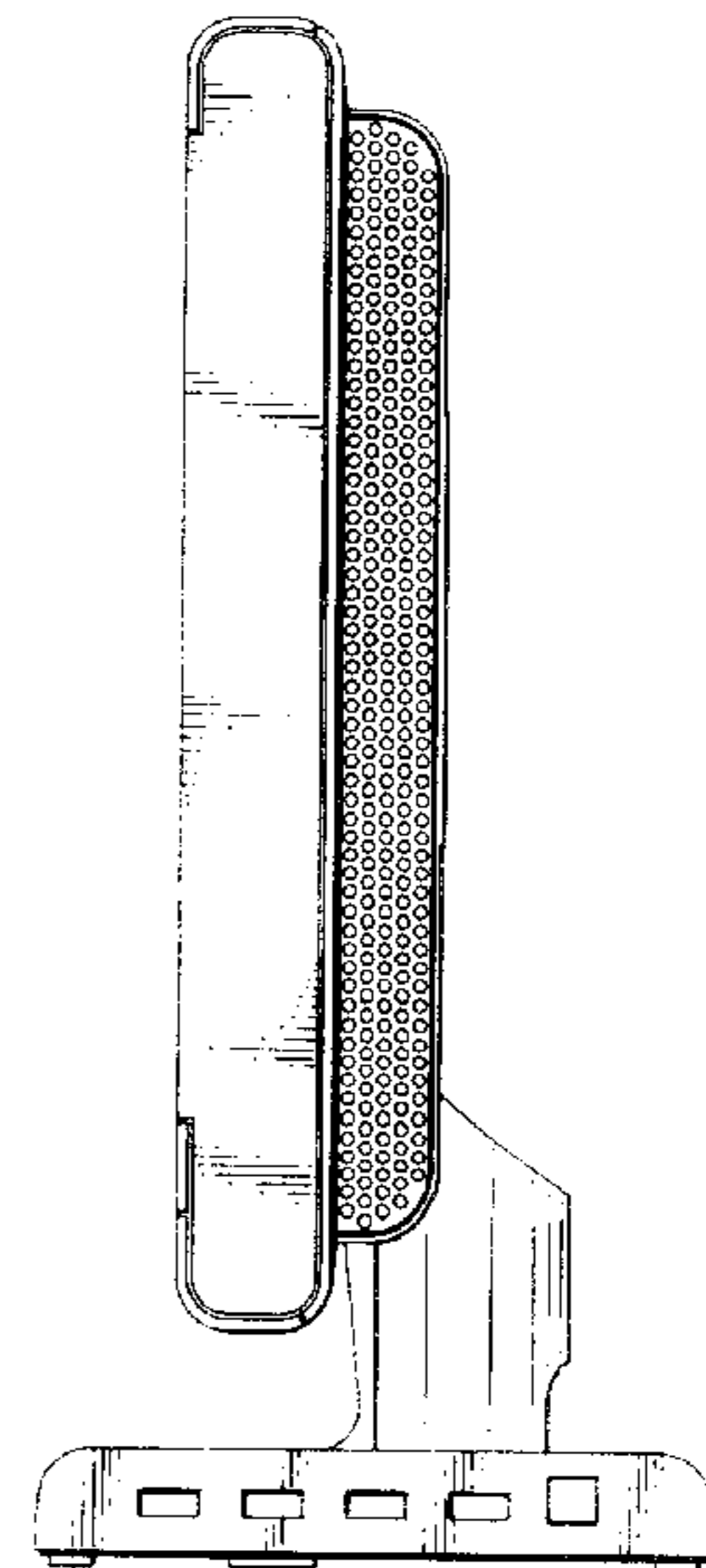
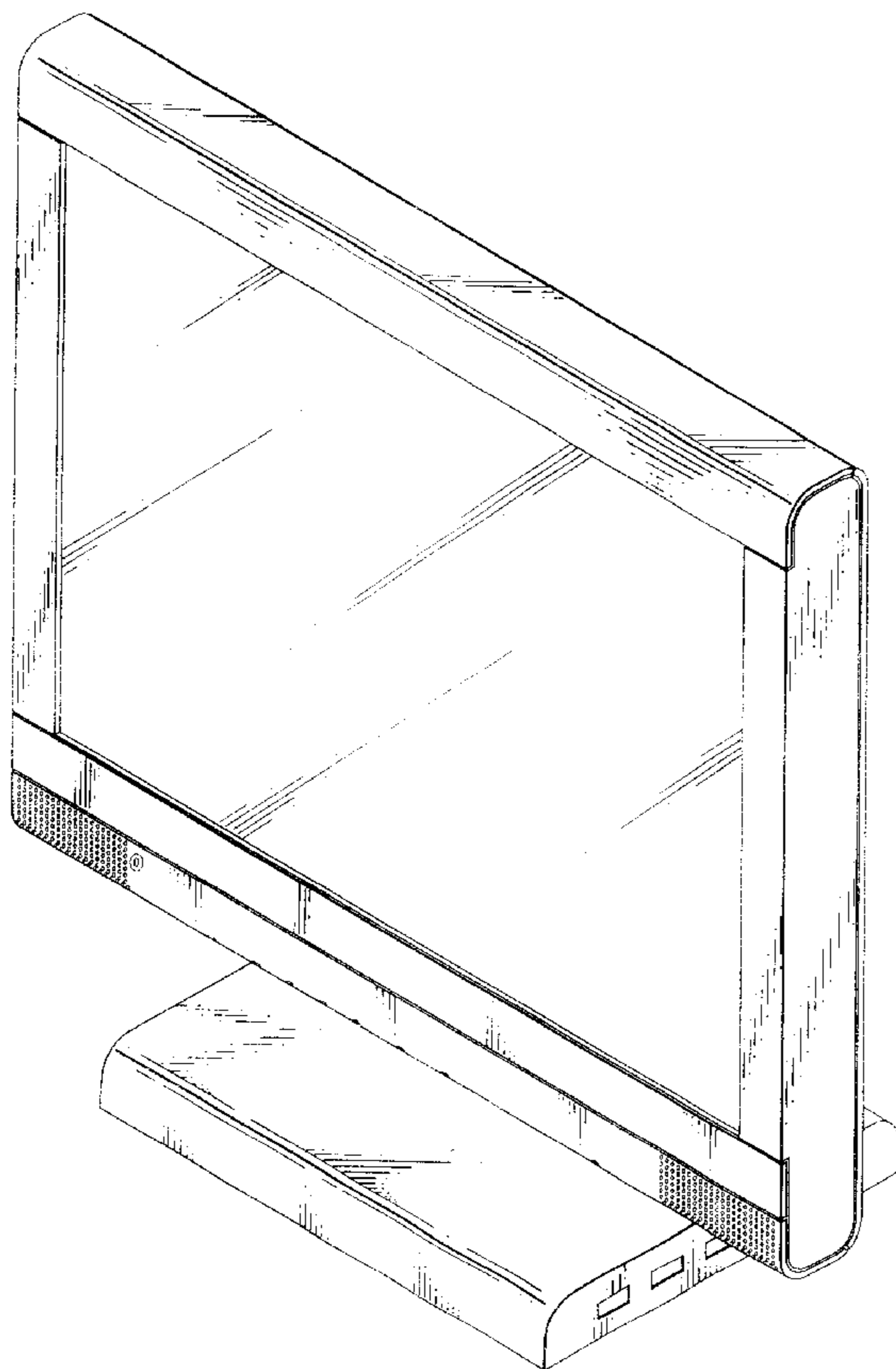


FIG. 1

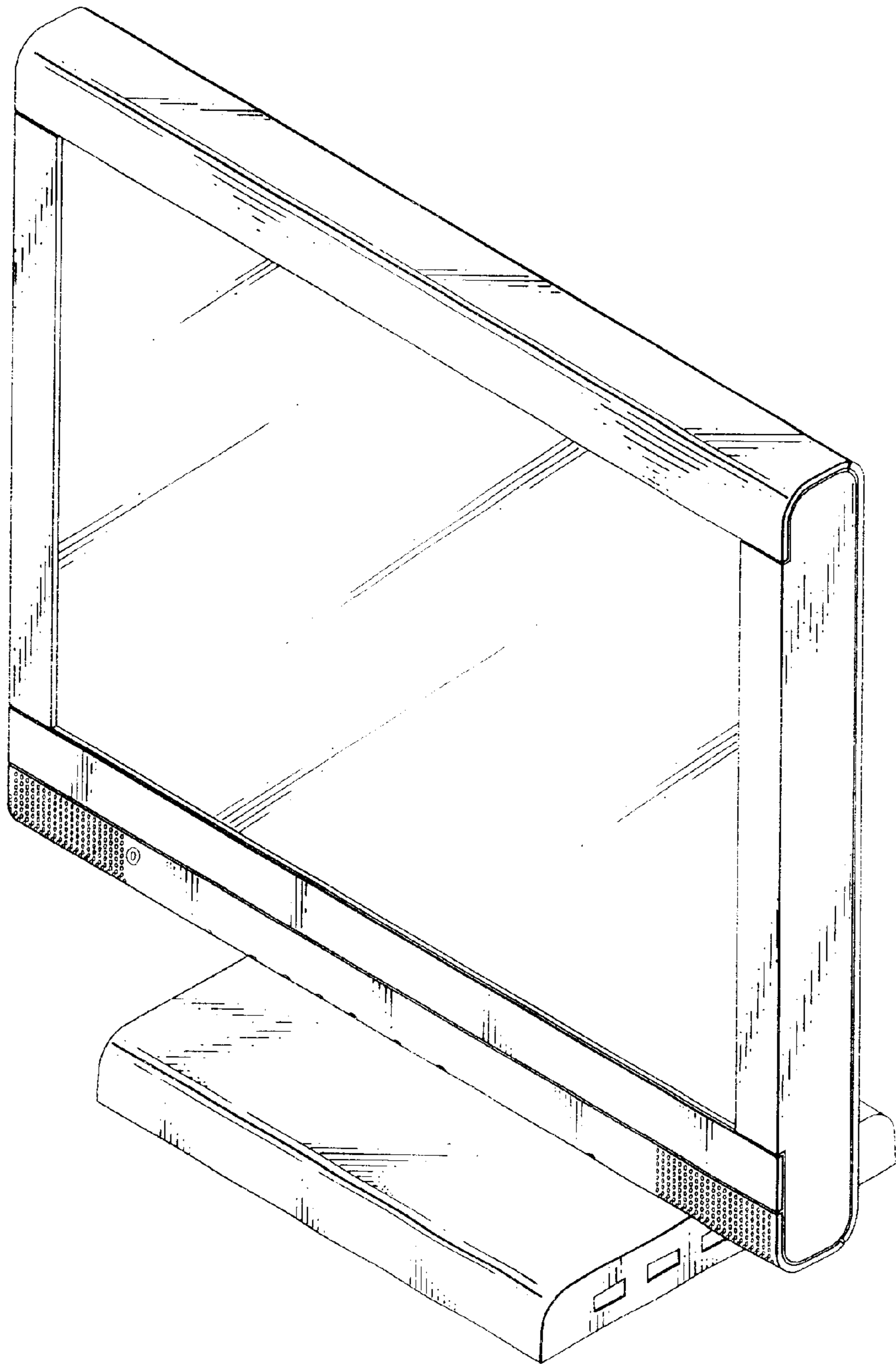


FIG. 2

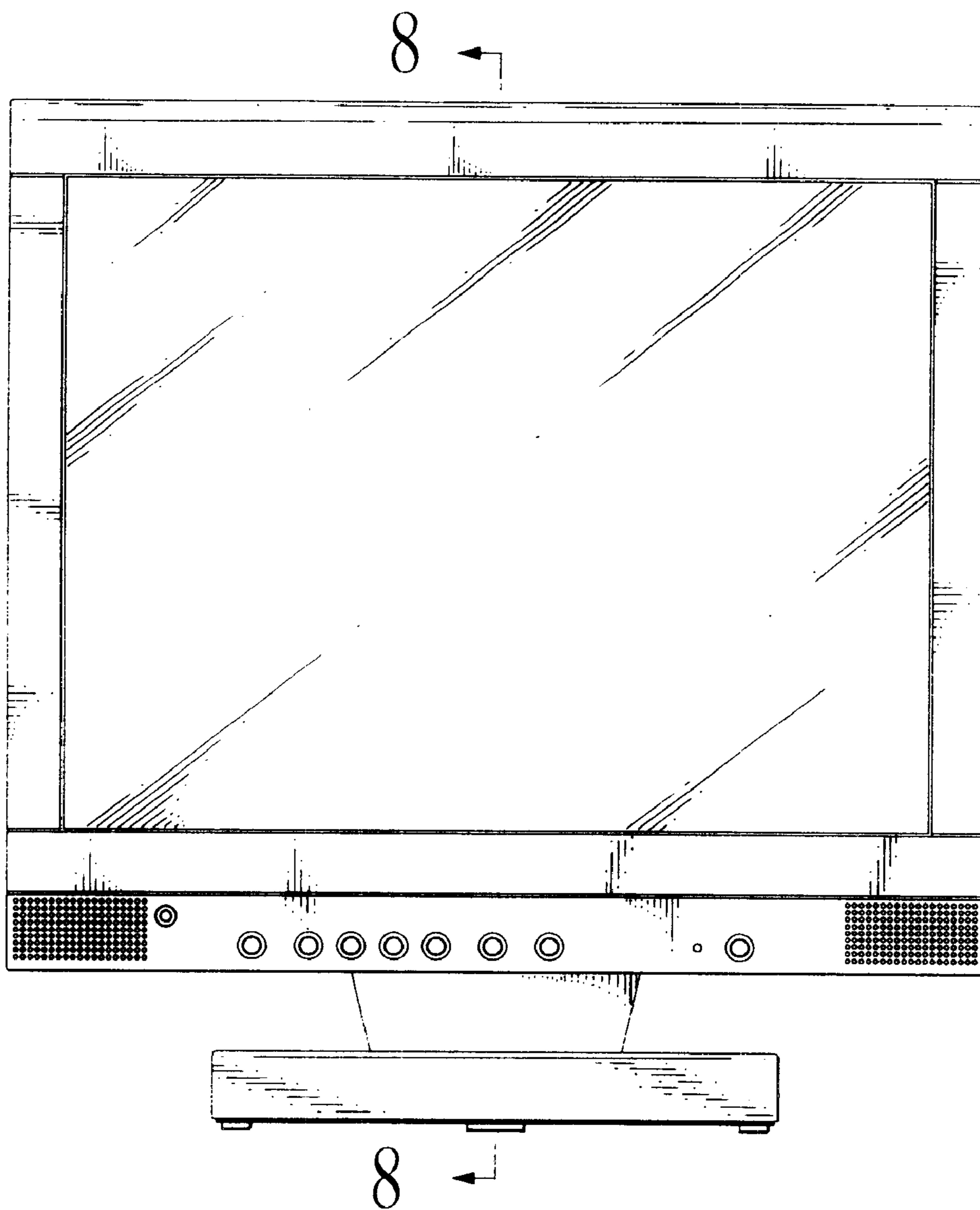


FIG. 3

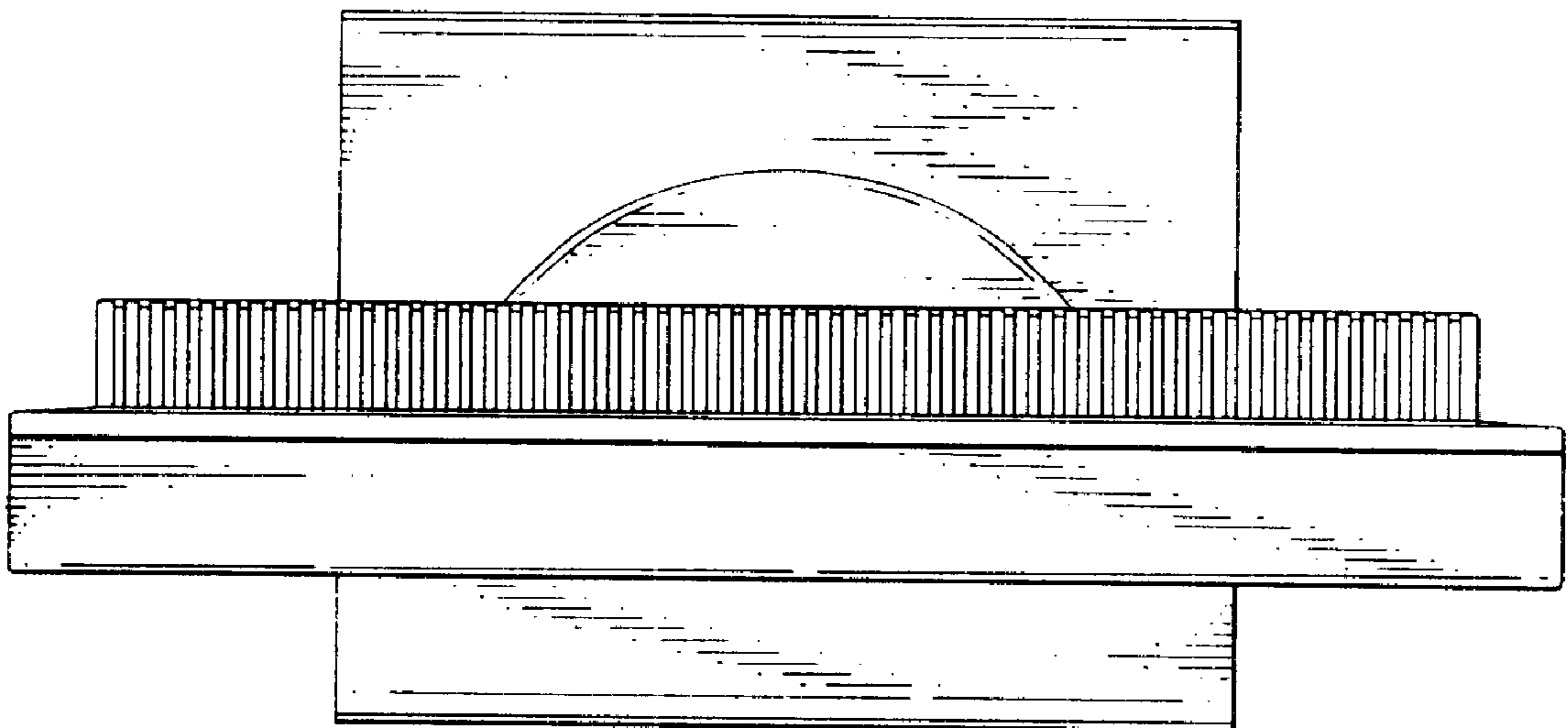


FIG. 4

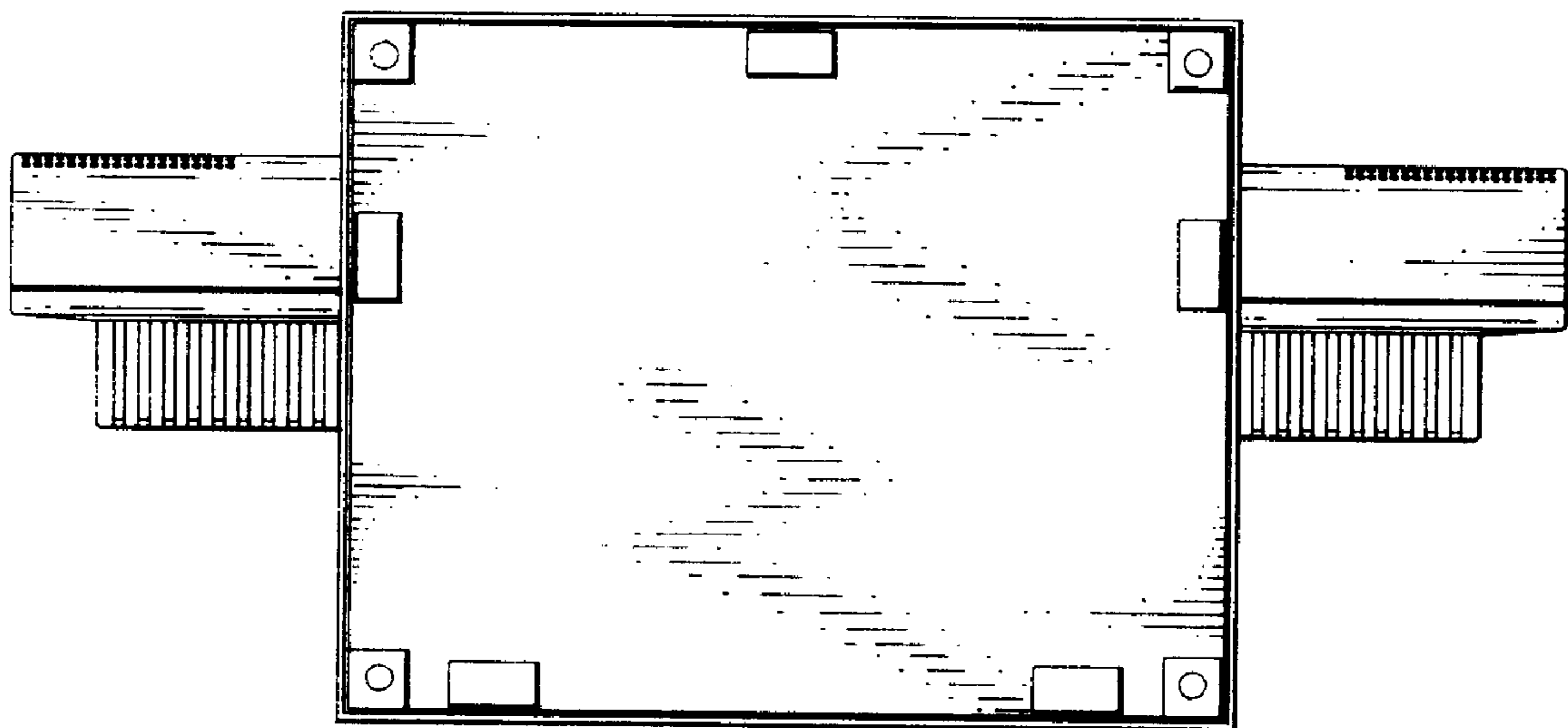


FIG. 5

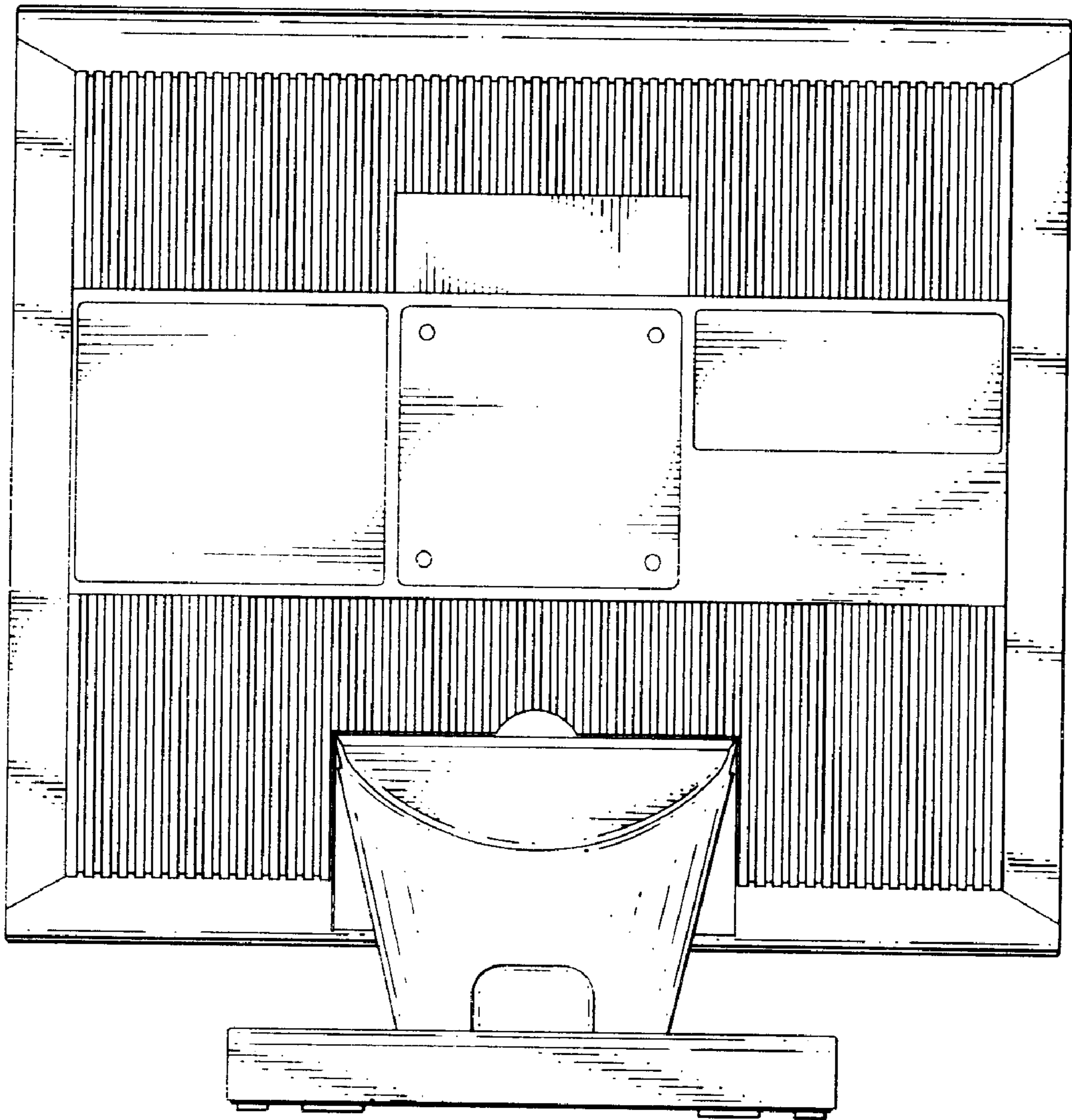


FIG. 6

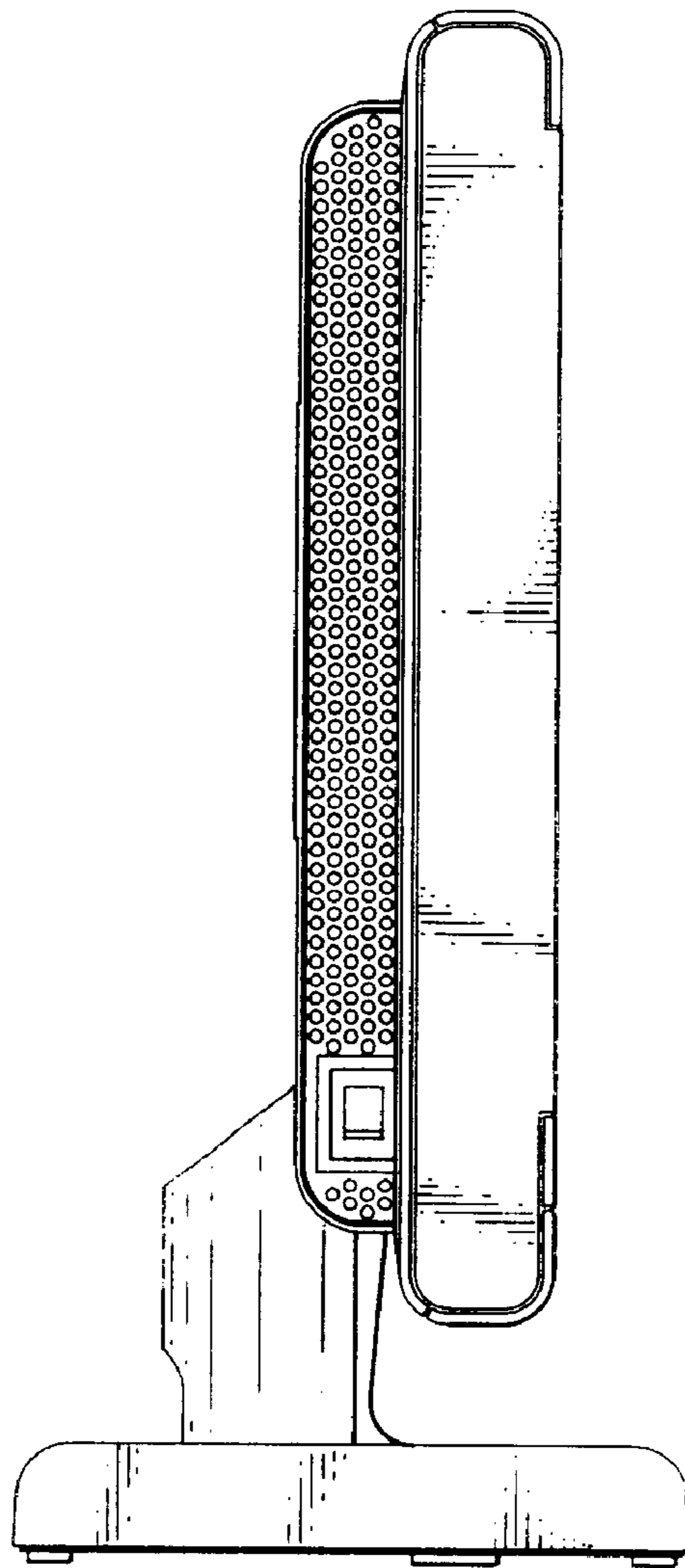


FIG. 7

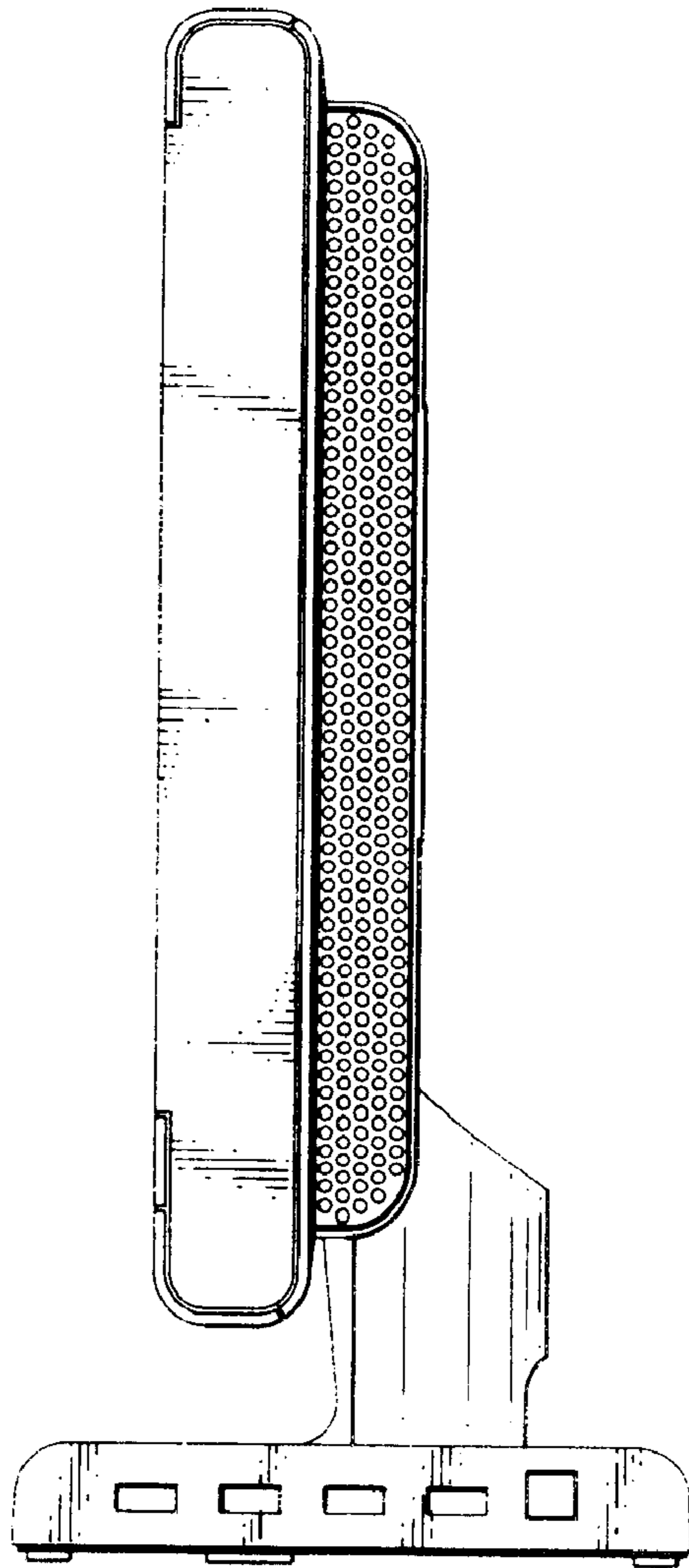


FIG. 8

