



US00D468735S

(12) **United States Design Patent**
Landerholm et al.

(10) **Patent No.:** **US D468,735 S**

(45) **Date of Patent:** **** Jan. 14, 2003**

(54) **INFORMATION TERMINAL**

(75) Inventors: **John Landerholm**, Risskov (DK);
Peter Lund, Aarhus V (DK)

(73) Assignee: **Ceboline Danmark APS**, Silkeborg
(DK)

(**) Term: **14 Years**

(21) Appl. No.: **29/146,649**

(22) Filed: **Aug. 13, 2001**

(30) **Foreign Application Priority Data**

Feb. 12, 2001 (DK) MA 2001 00174

(51) **LOC (7) Cl.** **14-02**

(52) **U.S. Cl.** **D14/336**

(58) **Field of Search** D14/341, 347,
D14/337, 336; D18/1, 2, 7, 4.4, 4.6; 345/156,
168, 169, 172, 173; 361/680-686

(56) **References Cited**

U.S. PATENT DOCUMENTS

D362,239 S * 9/1995 Je D18/4.6

D362,427 S * 9/1995 Mizusugi et al. D18/4.4
D385,903 S * 11/1997 Kim D14/336
D424,603 S * 5/2000 Jones D14/337

* cited by examiner

Primary Examiner—Freda Nunn

(74) *Attorney, Agent, or Firm*—Pitney, Hardin, Kipp &
Szuch LLP

(57) **CLAIM**

The ornamental design for an information terminal, as shown and described.

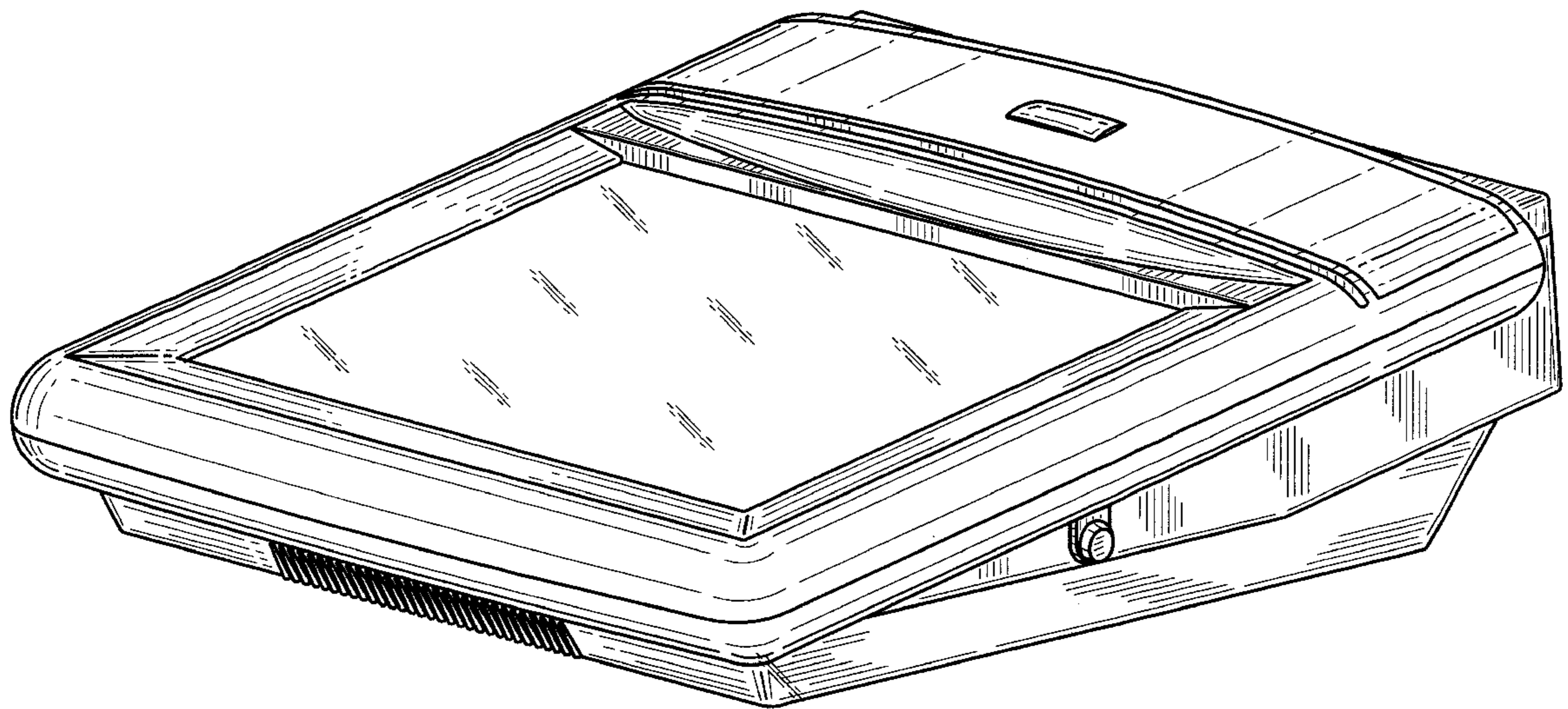
DESCRIPTION

FIG. 1 is a perspective view of an information terminal in accordance with the ornamental design of the present invention depicting the top, front and right side thereof; and,

FIG. 2 is a perspective view of the information terminal depicting the top, rear and right side thereof.

The left side is identical with the right side.

1 Claim, 2 Drawing Sheets



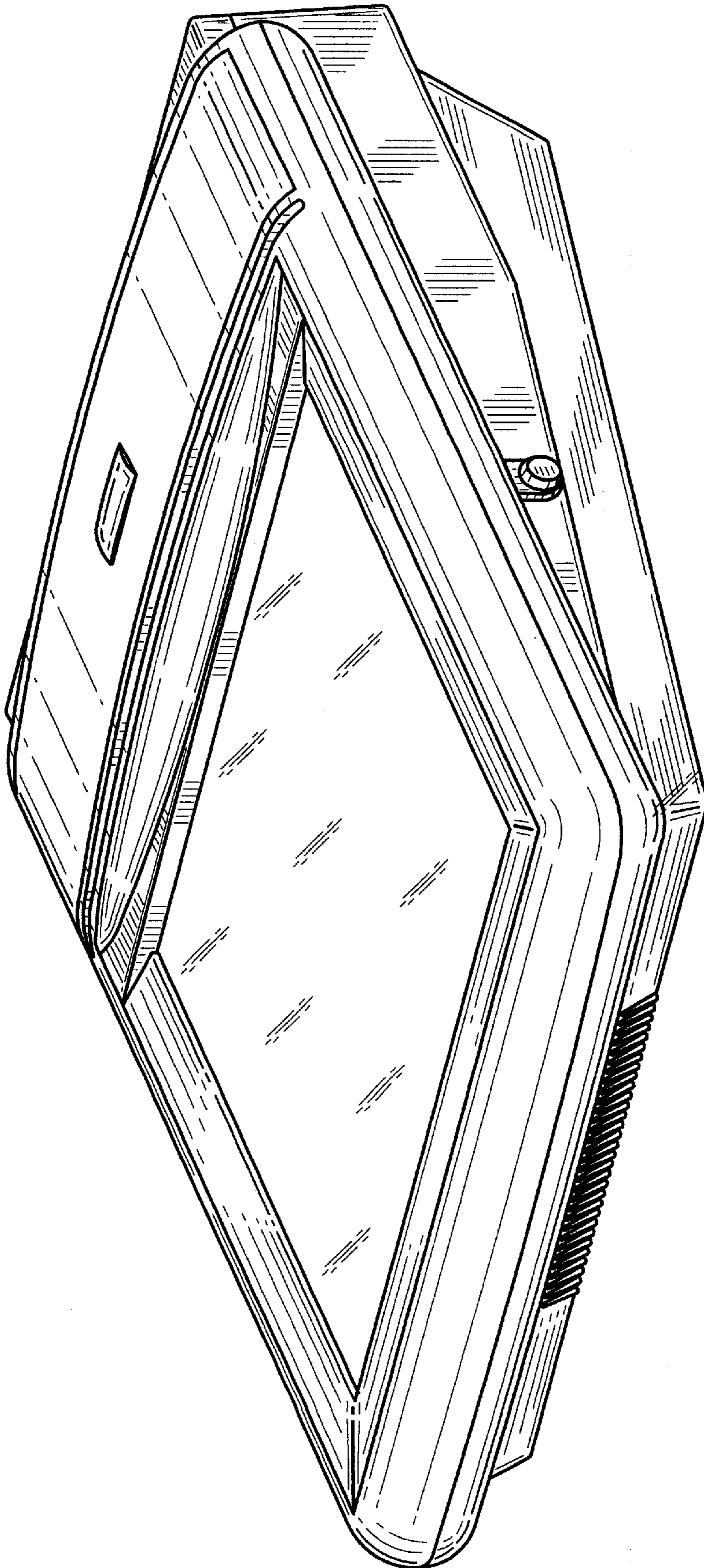


FIG. 1

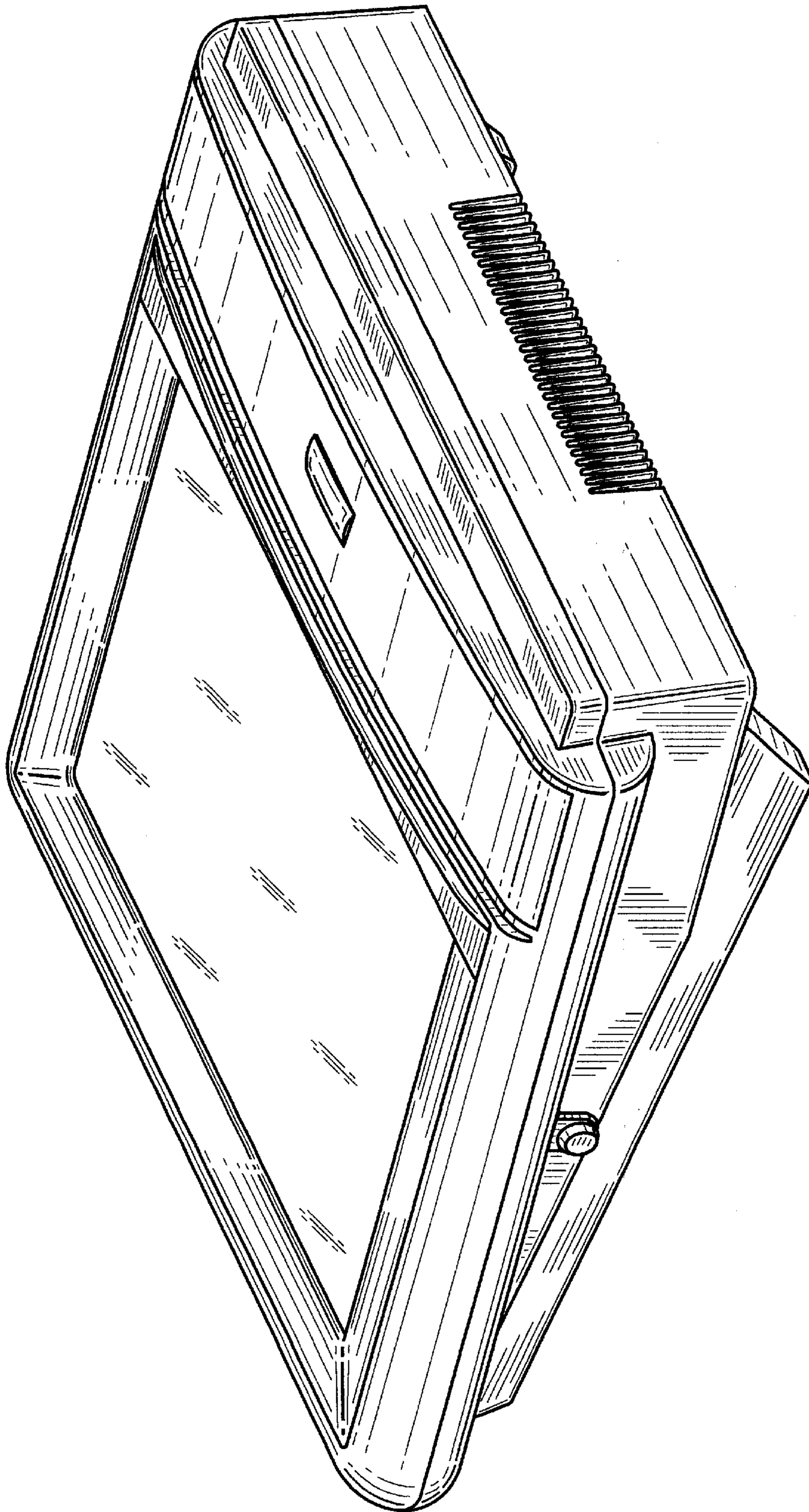


FIG. 2