



US00D468734S

(12) **United States Design Patent**  
**Schmitt**

(10) **Patent No.:** **US D468,734 S**

(45) **Date of Patent:** **\*\* Jan. 14, 2003**

(54) **RADIO MOUNT UNIT**

*Primary Examiner*—Nanda Bondade

(76) Inventor: **Gregory R Schmitt**, 254 Minz Park  
Cir., Apt. 4, W.B., WI (US) 53095

(57) **CLAIM**

(\*\*) Term: **14 Years**

I claim the ornamental design for a radio mount unit, as shown and described.

(21) Appl. No.: **29/139,893**

**DESCRIPTION**

(22) Filed: **Apr. 9, 2001**

FIG. 1 is a top plan view of a radio mount unit showing my new design;

(51) **LOC (7) Cl.** ..... **14-99**

FIG. 2 is front elevational view thereof;

(52) **U.S. Cl.** ..... **D14/265; D14/217**

FIG. 3 is a rear elevational view thereof;

(58) **Field of Search** ..... D6/449, 457, 466;  
D8/354-355, 382, 449, 363; D14/188, 192-198,  
224, 217, 299, 265; 248/298, 349.1, 371,  
199

FIG. 4 is a right side elevational view thereof;

FIG. 5 is a left side elevational view thereof;

(56) **References Cited**

**U.S. PATENT DOCUMENTS**

FIG. 6 is a bottom plan view thereof; and,

FIG. 7 is a bottom plan view of a second embodiment of FIG. 1.

2,315,196 A *	3/1943	Gallione	.....	248/999
D180,746 S *	8/1957	Oslac	.....	D14/224
5,462,250 A *	10/1995	Fells	.....	248/349.1
D369,777 S *	5/1996	Singh et al.	.....	D6/629
D436,097 S *	1/2001	Barkan	.....	D14/217

The remaining views of the second embodiments are same as the first embodiment except for the alternate position of the mounting unit.

\* cited by examiner

**1 Claim, 7 Drawing Sheets**

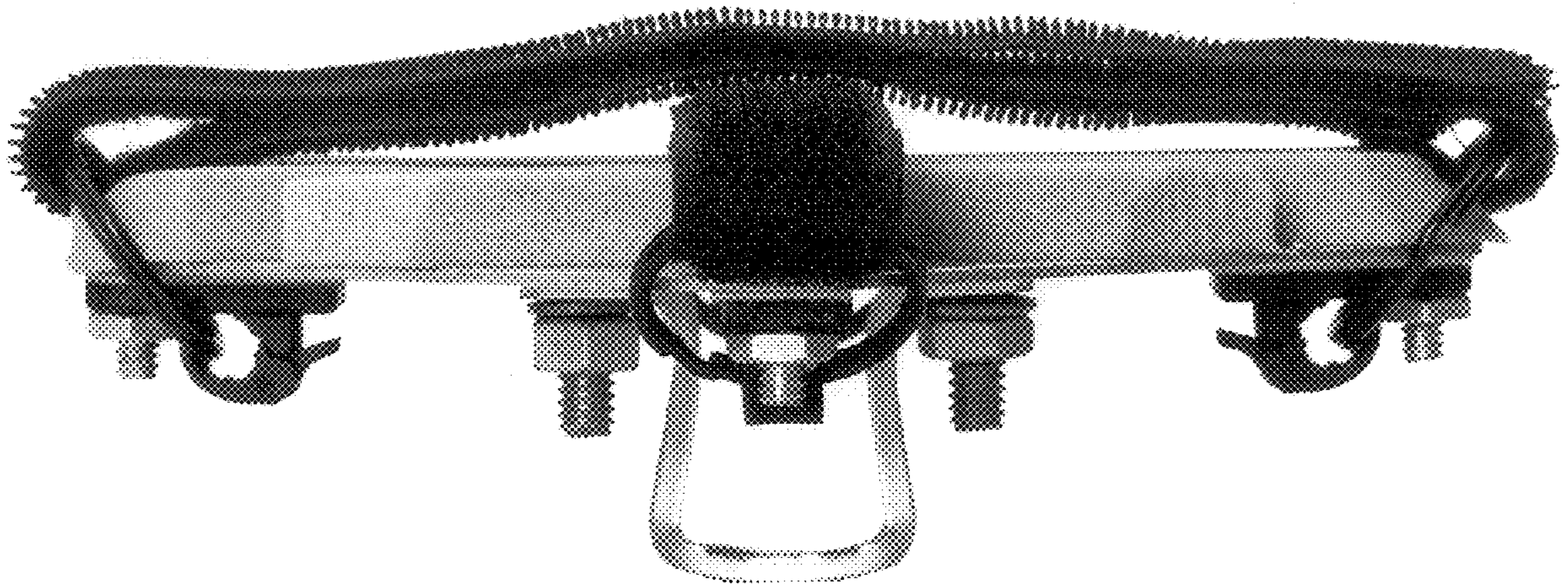


FIG. 1

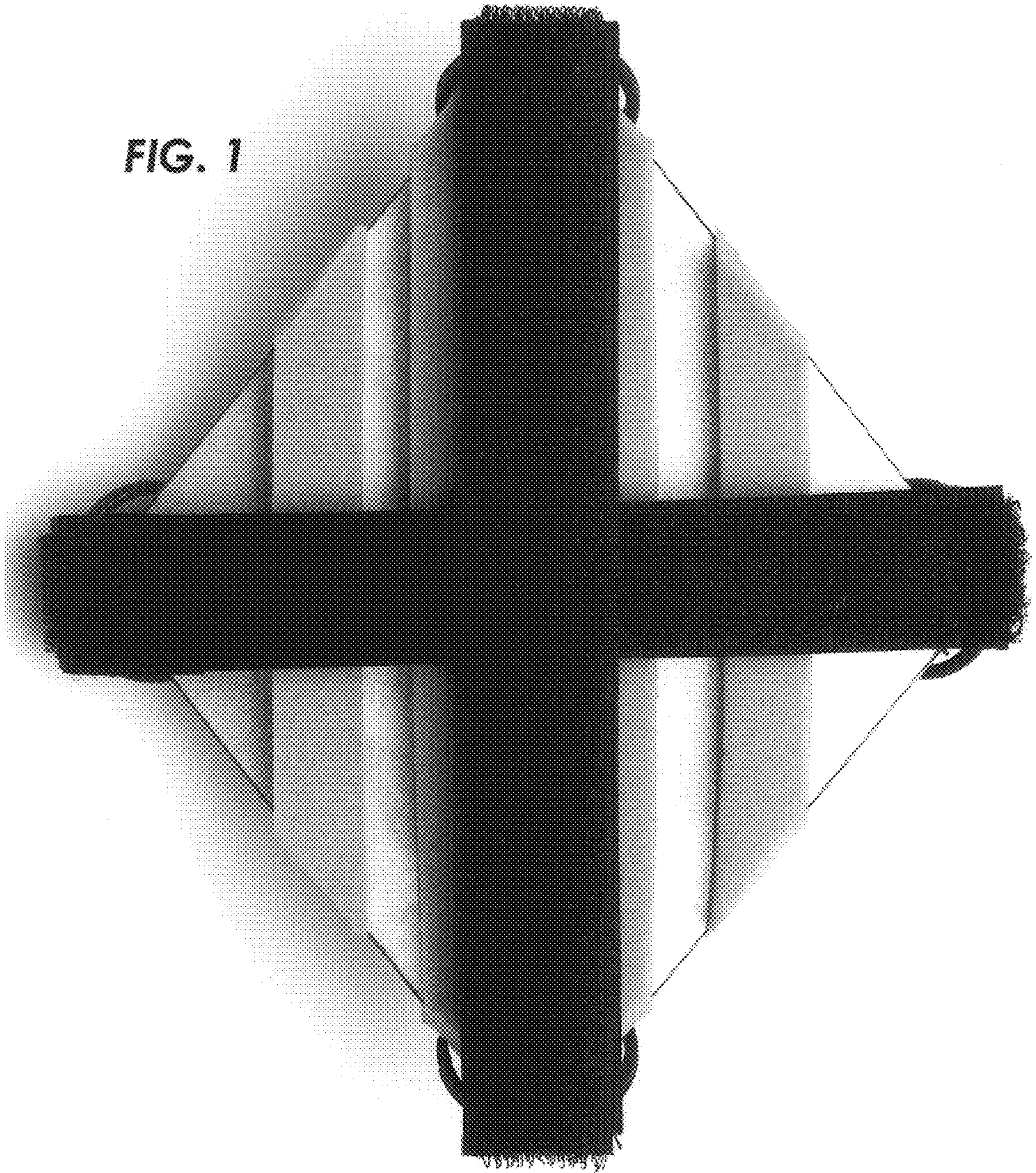


FIG. 2

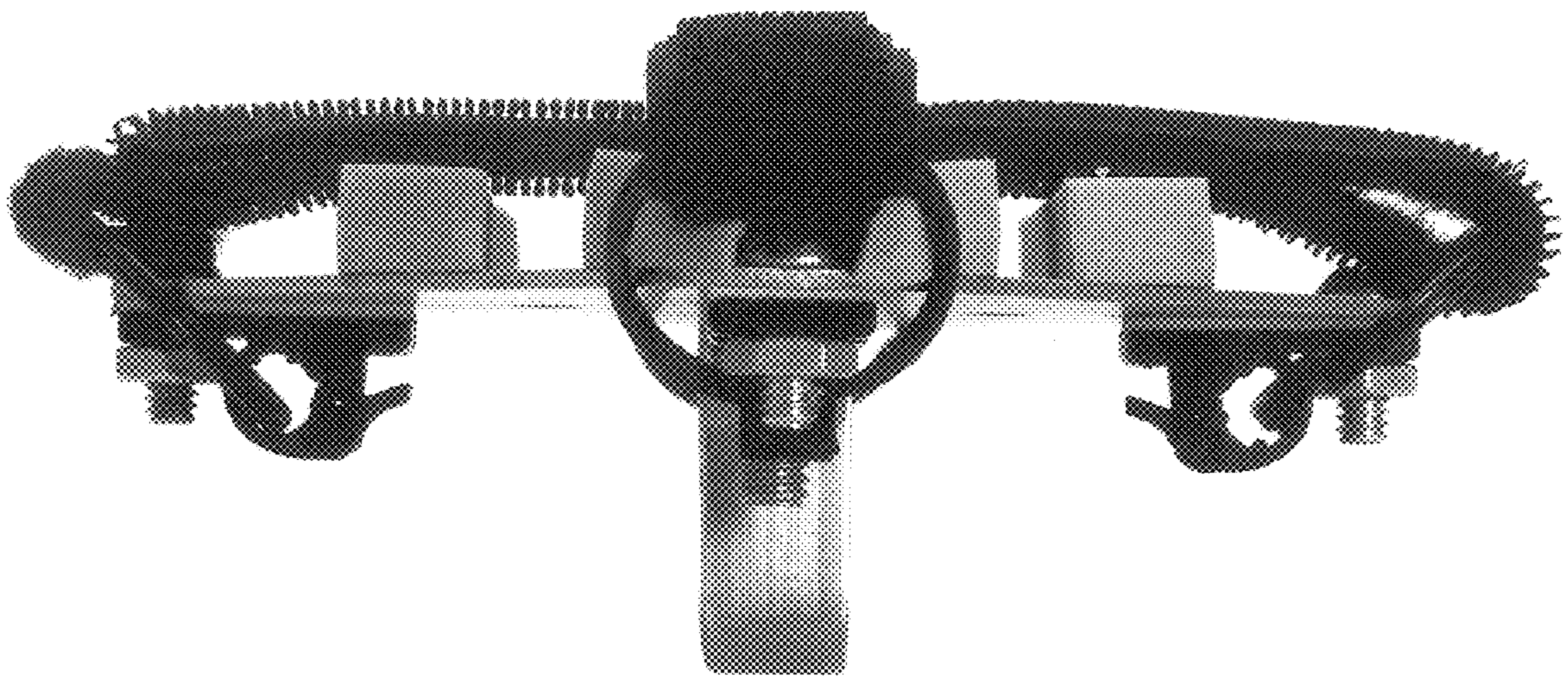


FIG. 3

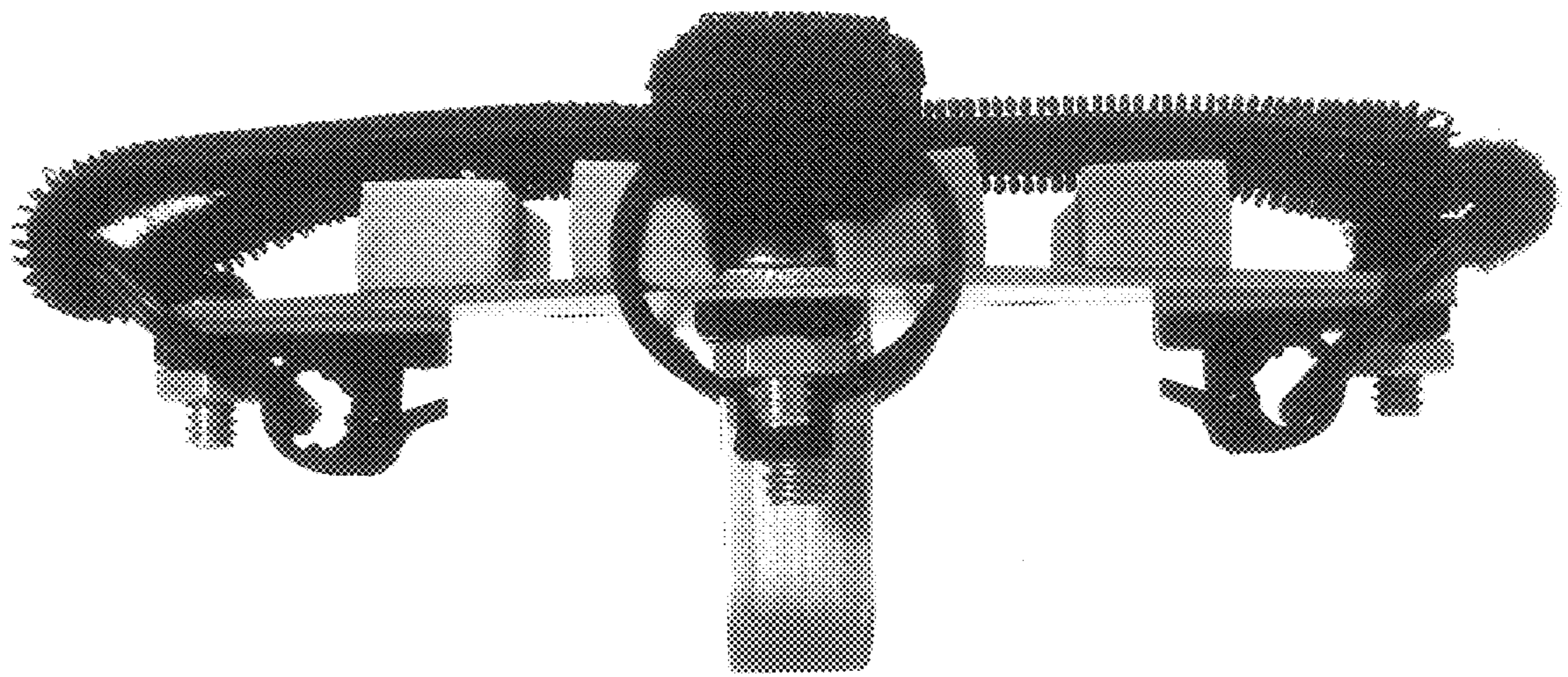


FIG. 4

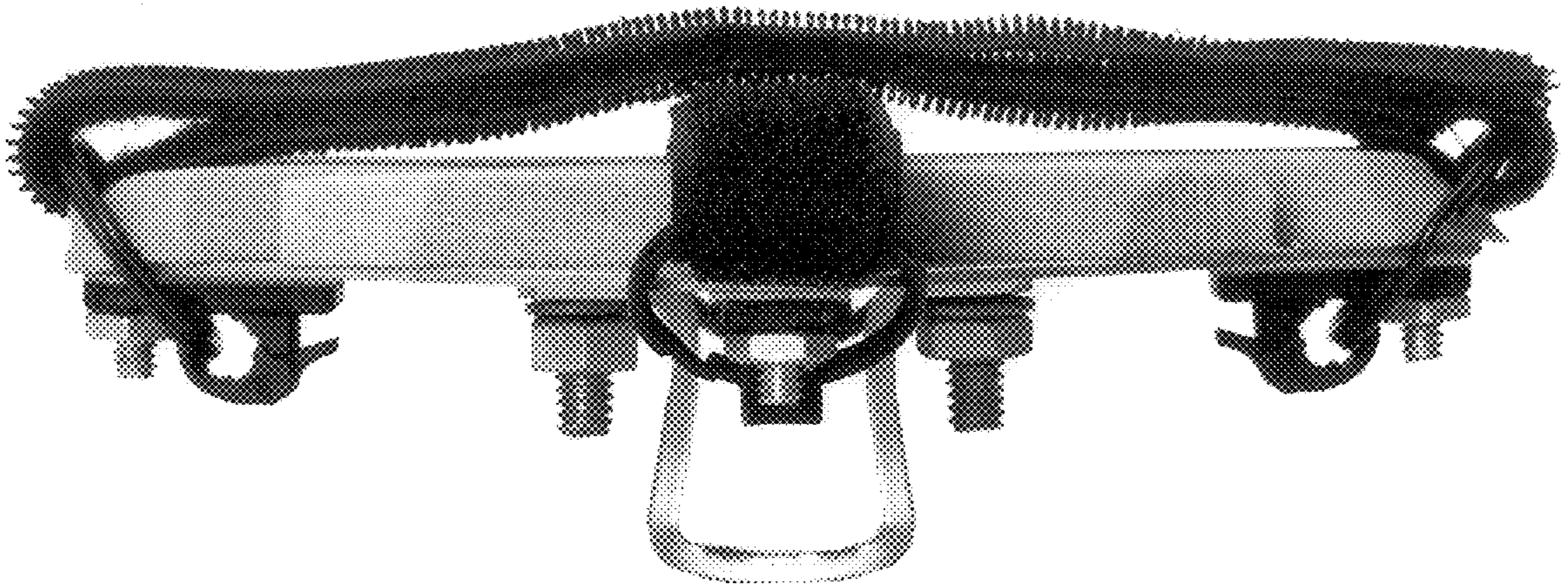


FIG. 5

