



US00D468733S

(12) **United States Design Patent**  
Narducci et al.

(10) **Patent No.:** **US D468,733 S**  
(45) **Date of Patent:** **\*\* Jan. 14, 2003**

(54) **VEHICLE ACCESSORY FOR A PORTABLE COMMUNICATION DEVICE**

(75) Inventors: **David Narducci**, Lake Worth, FL (US);  
**Paul Fordham**, Lake Worth, FL (US)

(73) Assignee: **Motorola, Inc.**, Schaumburg, IL (US)

(\*\*) Term: **14 Years**

(21) Appl. No.: **29/163,045**

(22) Filed: **Jun. 27, 2002**

(51) **LOC (7) Cl.** ..... **14-03**

(52) **U.S. Cl.** ..... **D14/253**

(58) **Field of Search** ..... D14/137, 434,  
D14/138, 447, 148, 147, 149-151, 140-142,  
240, 241, 251, 253, 252, 451; 379/426,  
449, 419, 420.01-420.04, 428.01-428.04,  
440, 454, 455, 446; D19/75, 87; 455/550-575,  
90; D13/107, 108; 320/110, 113, 114, 115

(56) **References Cited**

**U.S. PATENT DOCUMENTS**

4,810,216	A	*	3/1989	Kawamura	.....	440/2
D308,968	S	*	7/1990	Morun et al.	.....	D14/114
D319,262	S	*	8/1991	Brinker et al.	.....	D19/76
D320,980	S	*	10/1991	Howard et al.	.....	D14/114
D321,885	S	*	11/1991	Sheldrake	.....	D14/253
D349,486	S	*	8/1994	Sage	.....	D13/107
5,392,350	A	*	2/1995	Swanson	.....	379/446
D363,284	S	*	10/1995	Solomita	.....	D14/149
D377,798	S	*	2/1997	Heine	.....	D14/253
D383,749	S	*	9/1997	Nagele et al.	.....	D14/149

D385,283	S	*	10/1997	Snyder et al.	.....	D14/253
D388,434	S	*	12/1997	Lepack	.....	D14/149
D392,969	S	*	3/1998	Margalit et al.	.....	D14/149
D393,625	S	*	4/1998	Riccobon	.....	D13/107
D399,821	S	*	10/1998	Tyneski et al.	.....	D13/118
D405,801	S	*	2/1999	Nagele et al.	.....	D14/253
D406,592	S	*	3/1999	Richter	.....	D14/253
D411,544	S	*	6/1999	Richter	.....	D14/253
D421,443	S	*	3/2000	Nagele et al.	.....	D14/253
D424,573	S	*	5/2000	Maloney et al.	.....	D14/253
D454,561	S	*	3/2002	Hollinger	.....	D14/253

\* cited by examiner

*Primary Examiner*—Jeffrey Asch

(74) *Attorney, Agent, or Firm*—Randi L. Dulaney

(57) **CLAIM**

The ornamental design for a vehicle accessory for a portable communication device, as shown and described.

**DESCRIPTION**

FIG. 1 is a perspective view of one embodiment of a vehicle accessory for a portable communication device showing our new design;

FIG. 2 is a top orthographic view thereof;

FIG. 3 is a front orthographic view thereof;

FIG. 4 is a left side orthographic view thereof;

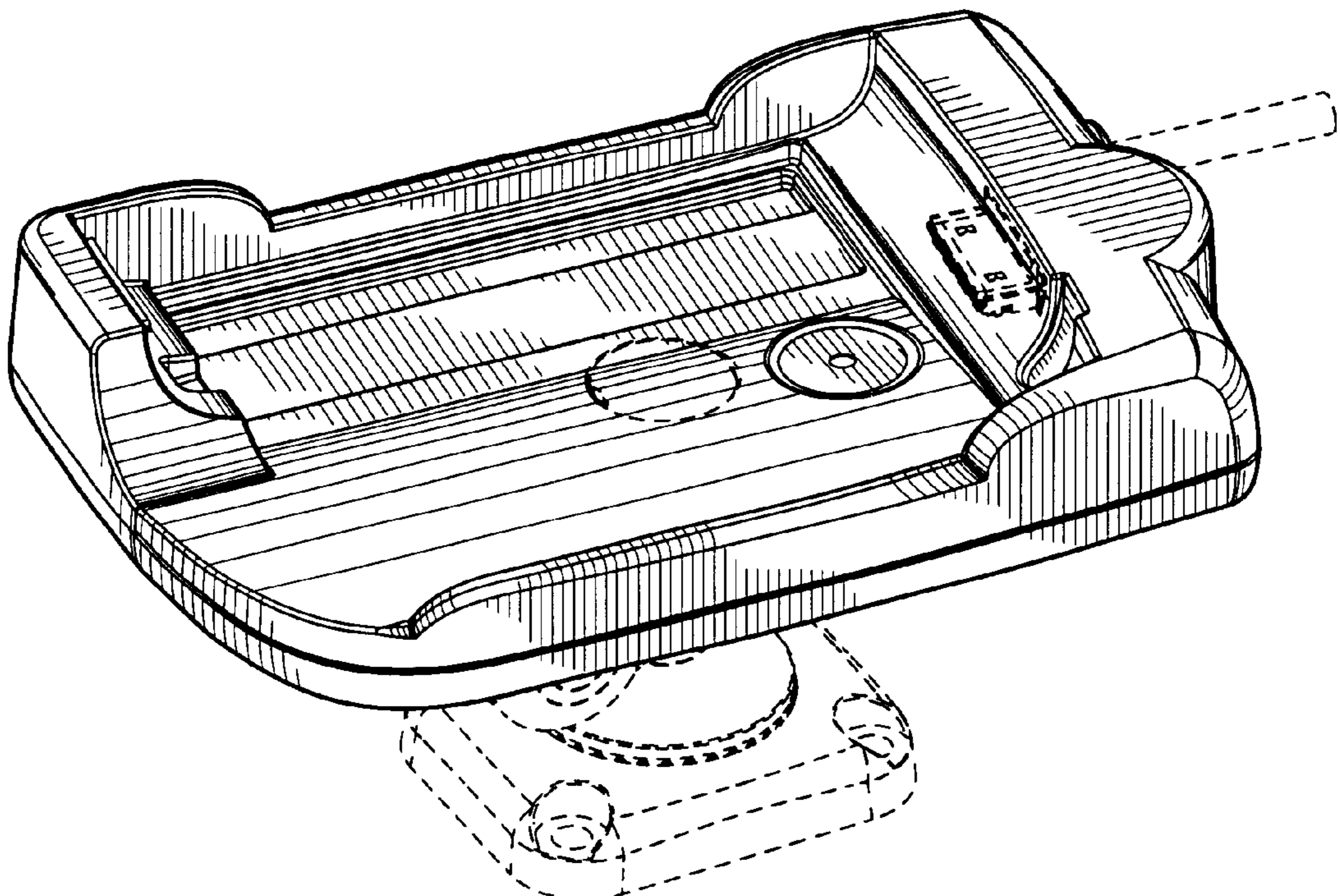
FIG. 5 is a right side orthographic view thereof;

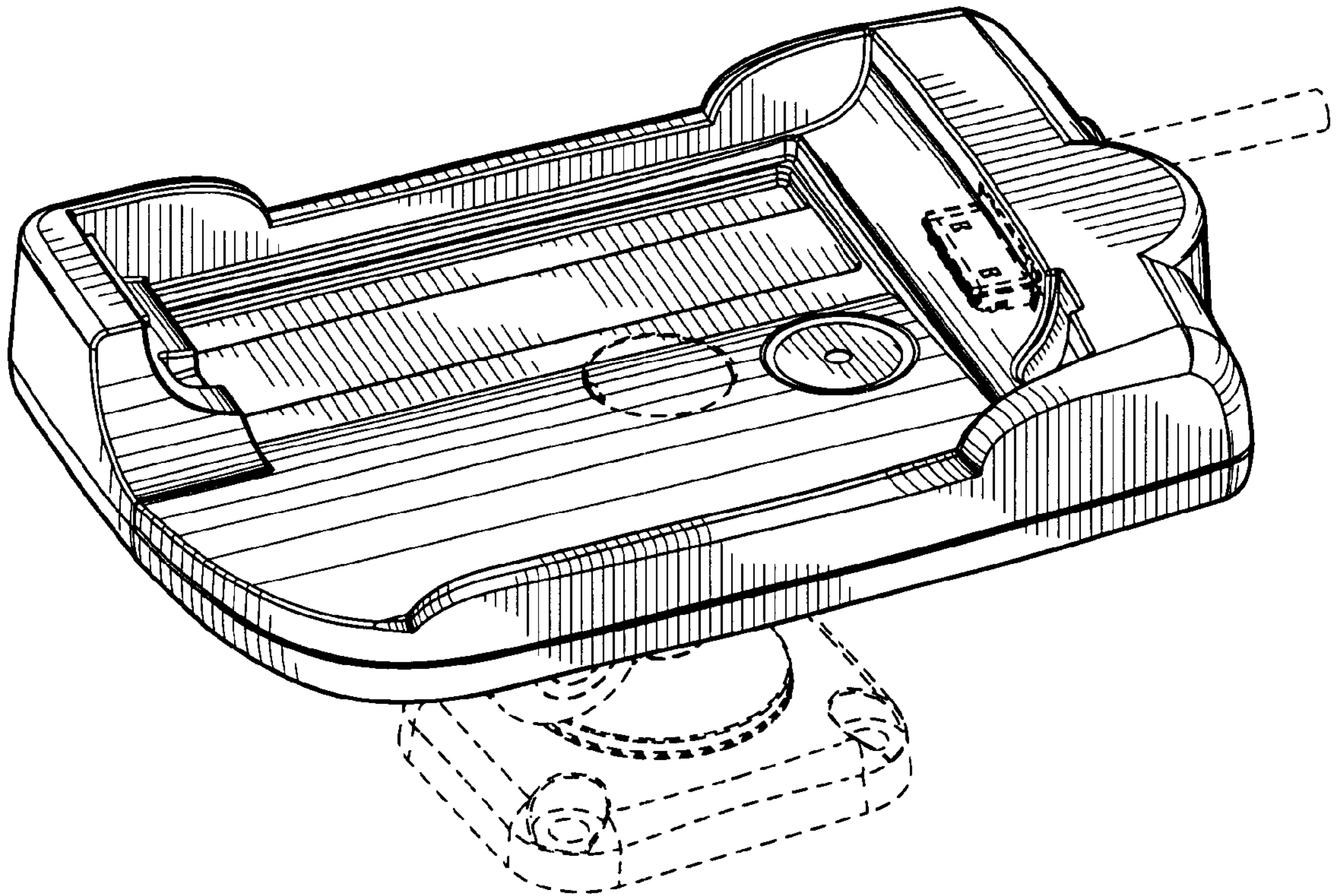
FIG. 6 is a bottom orthographic view thereof; and,

FIG. 7 is a rear orthographic view thereof.

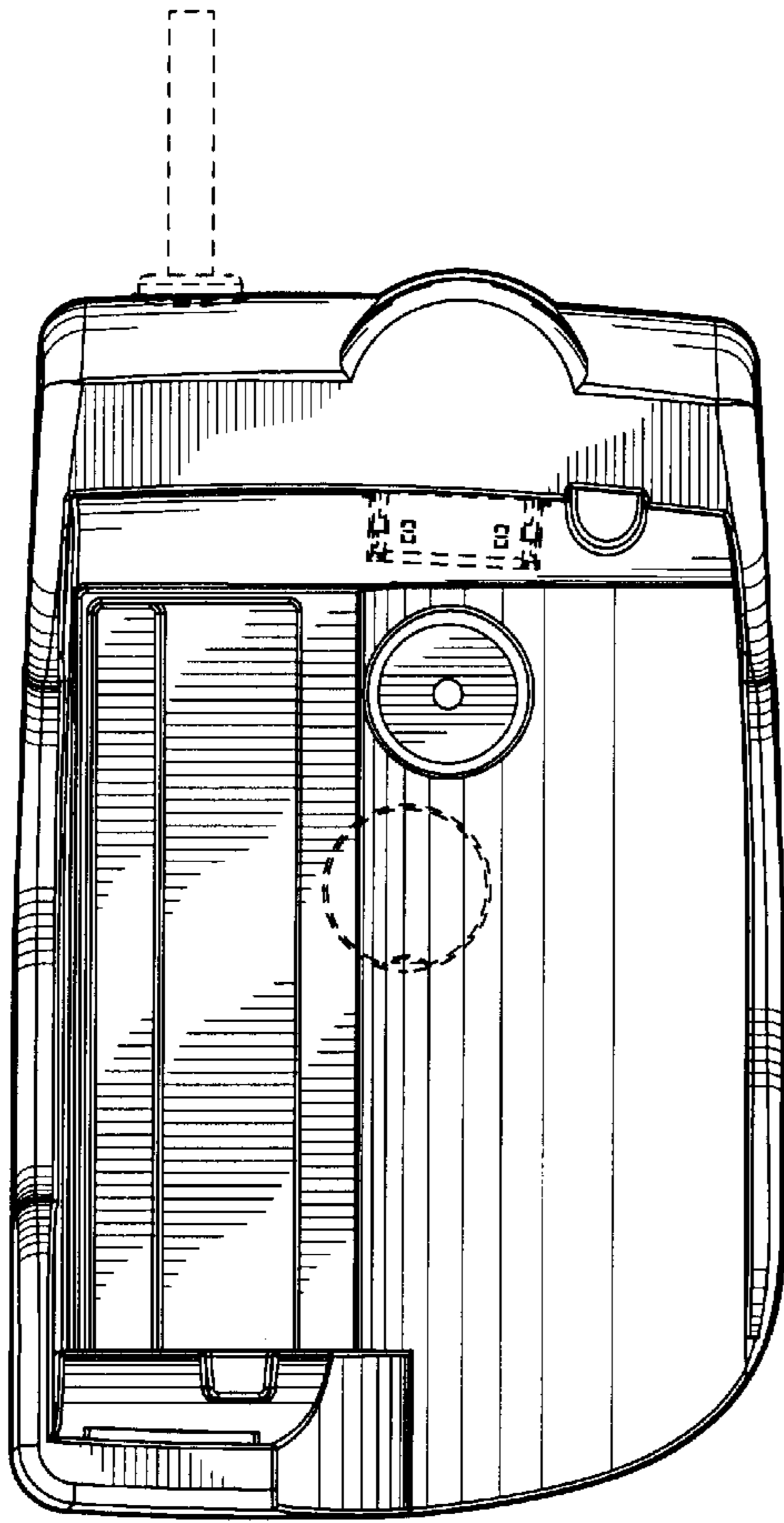
The broken lines shown in FIGS. 1-7 are included for the purpose of illustrating environmental elements only and form no part of the claimed design.

**1 Claim, 3 Drawing Sheets**

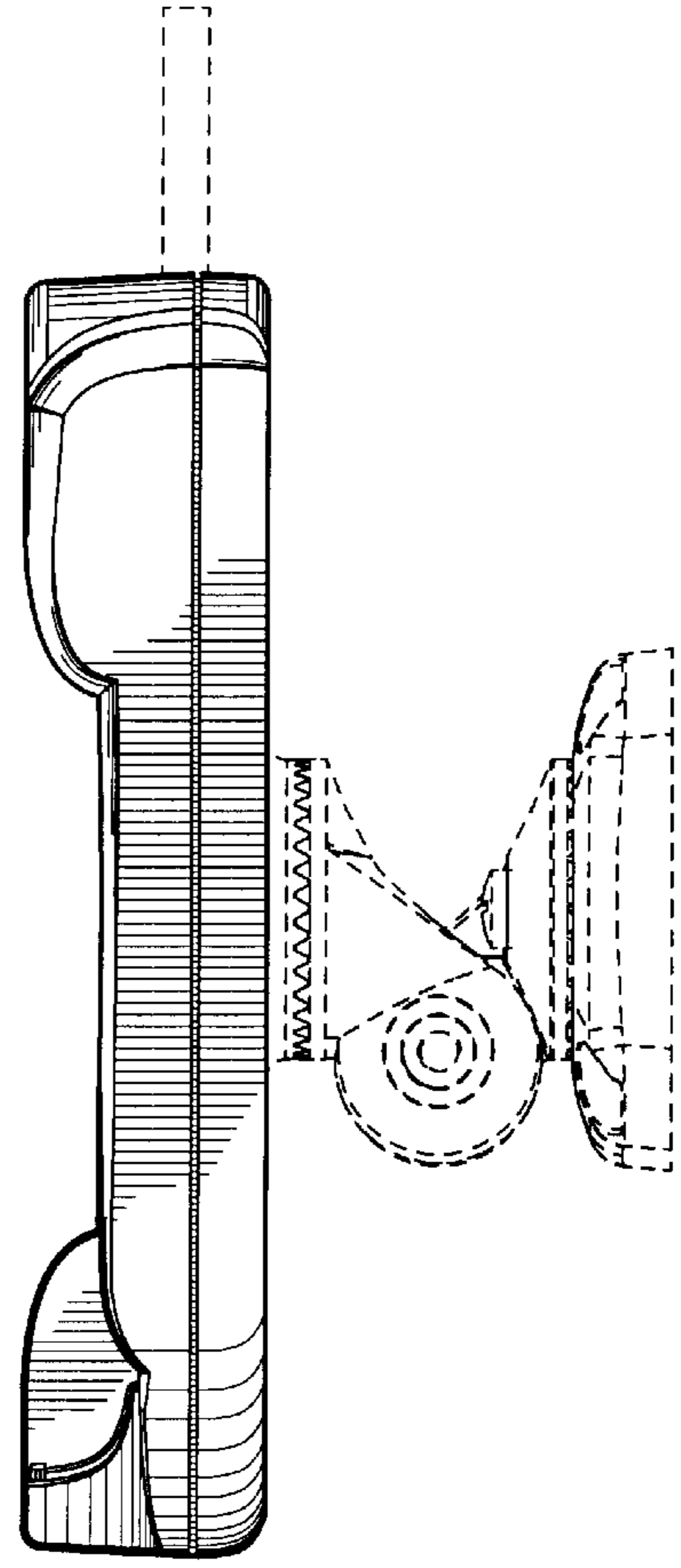




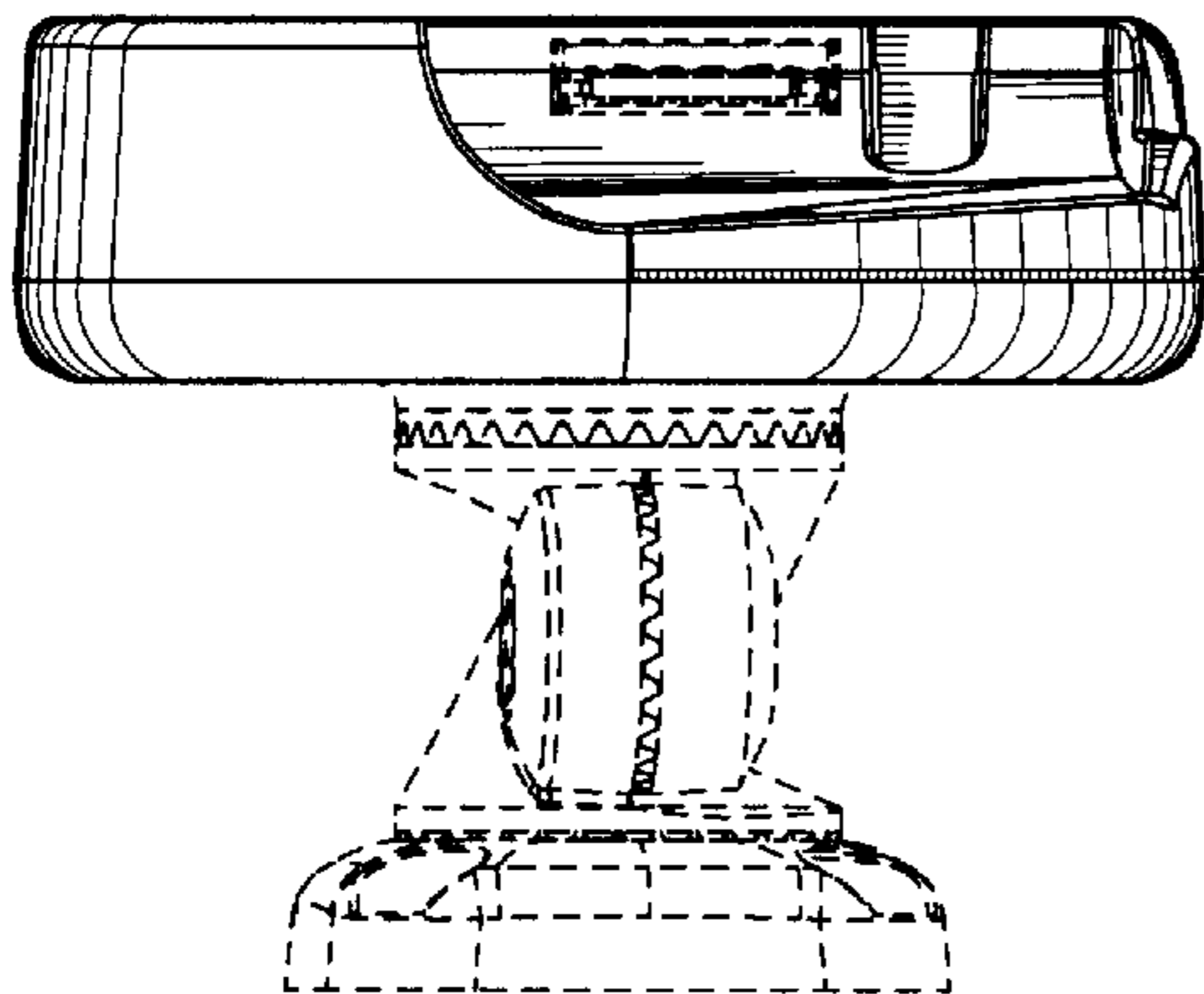
***FIG. 1***



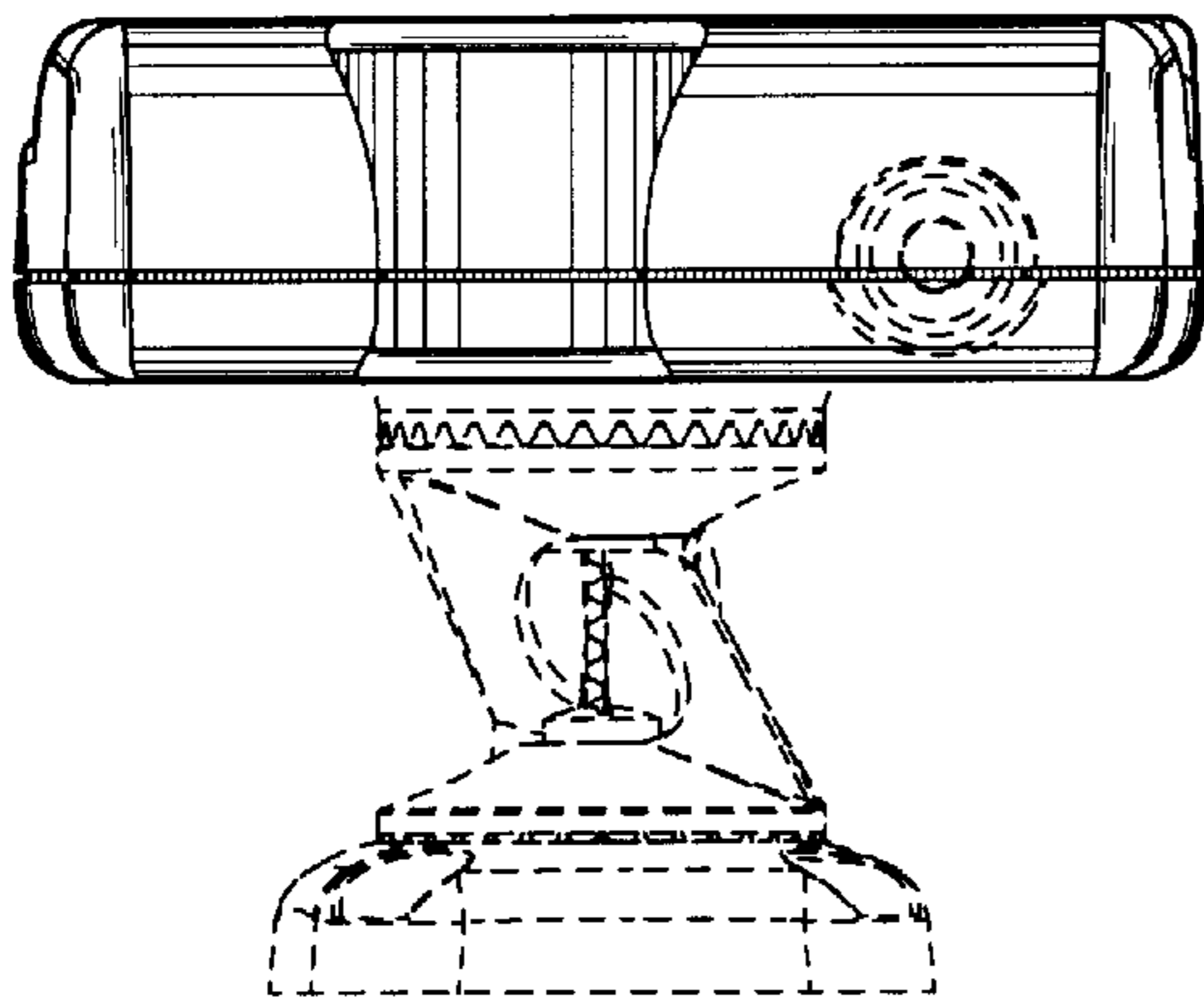
*FIG. 2*



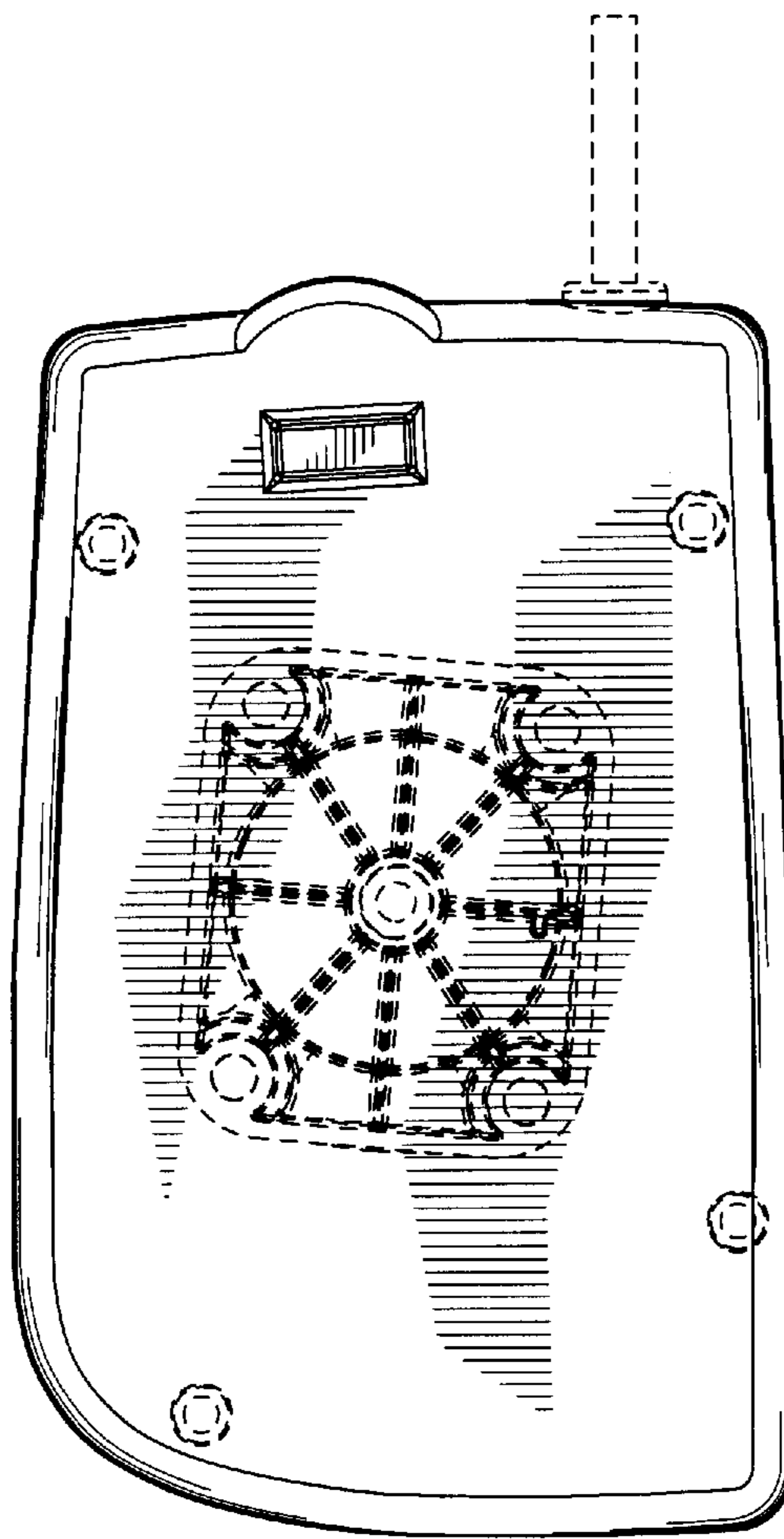
*FIG. 3*



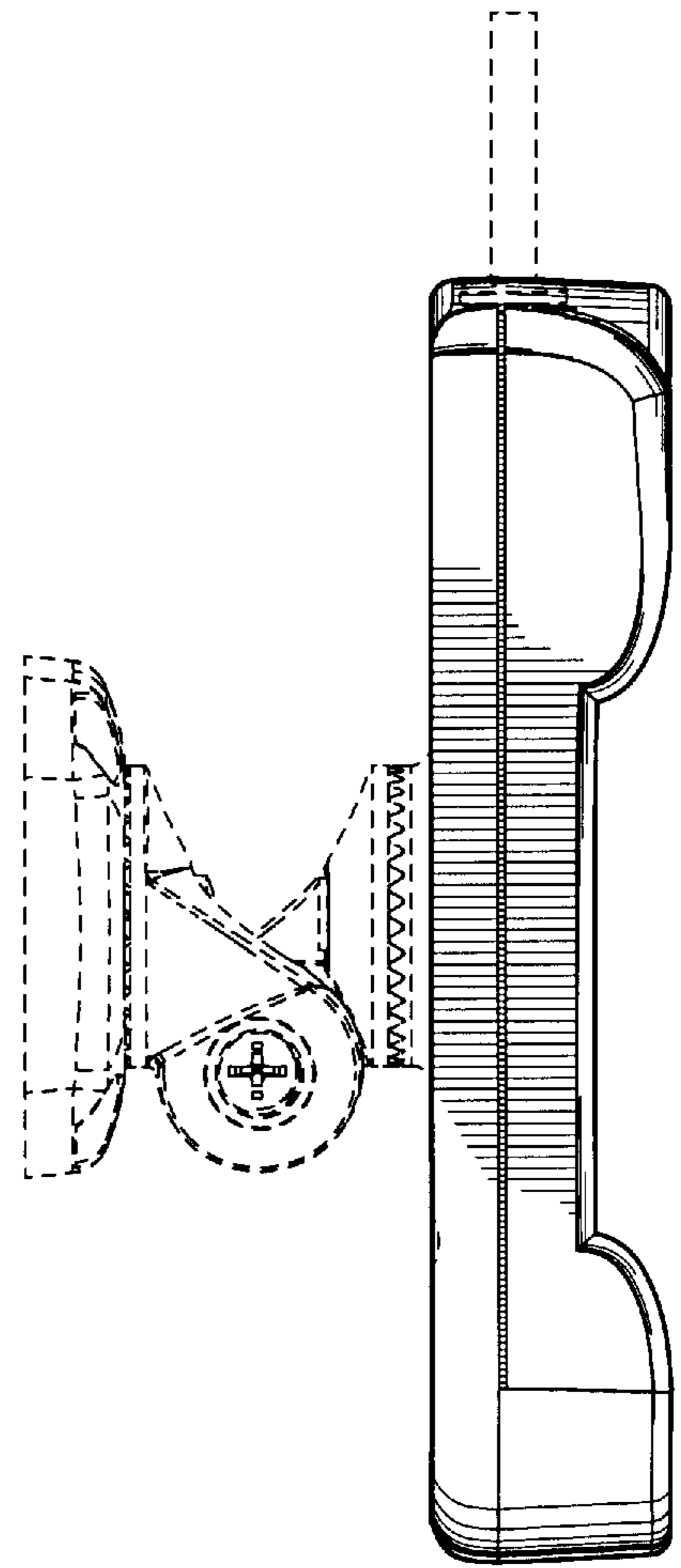
*FIG. 4*



*FIG. 5*



*FIG. 6*



*FIG. 7*