



US00D468732S

(12) **United States Design Patent** (10) **Patent No.:** **US D468,732 S**  
**Zdinak et al.** (45) **Date of Patent:** **\*\* Jan. 14, 2003**

(54) **OPTICAL COMMUNICATIONS DEVICE HOUSING PORTION**

*Primary Examiner*—Jeffrey Asch  
(74) *Attorney, Agent, or Firm*—Jenkins & Gilchrist, P.C.

(75) Inventors: **Paul Zdinak**, Candia, NH (US);  
**Lawrence M. Kuba**, Nashua, NH (US);  
**Derek Riemer**, Westford, MA (US);  
**John Franzini**, Hollis, NH (US)

(57) **CLAIM**

The ornamental design for the optical communications device housing portion, as shown and described.

(73) Assignee: **Lightchip, Inc.**, Salem, NH (US)

**DESCRIPTION**

(\*\*) Term: **14 Years**

FIG. 1 is a perspective view of the optical communications device housing portion in accordance with a first embodiment of our design;

(21) Appl. No.: **29/142,795**

FIG. 2 is a top plan view of the optical communications device housing portion in accordance with the first embodiment of our design;

(22) Filed: **Jun. 1, 2001**

FIG. 3 is a front elevational view of the optical communications device housing portion in accordance with the first embodiment of our design;

(51) **LOC (7) Cl.** ..... **14-03**

(52) **U.S. Cl.** ..... **D14/240**; D14/439; D14/257

(58) **Field of Search** ..... D14/137, 240,  
D14/138, 242, 308, 356, 357, 358, 311,  
313, 441, 443, 144, 348–355, 370, 341–347,  
125, 432, 433, 155, 299, 257, 439, 140,  
188, 230, 241, 243, 245; 379/433.01–433.13,  
419, 434, 428.01–428.04, 420.01–420.04,  
440, 441, 442; 455/550–575, 90; D13/184,  
123, 152, 147, 110, 164; 200/296, 293

FIG. 4 is a right side elevational view of the optical communications device housing portion in accordance with the first embodiment of our design;

FIG. 5 is a left side elevational view of the optical communications device housing portion in accordance with the first embodiment of our design;

(56) **References Cited**

**U.S. PATENT DOCUMENTS**

D332,790 S	*	1/1993	Gauthier et al.	.....	D14/299
D349,889 S	*	8/1994	Loh et al.	.....	D14/356
D355,654 S	*	2/1995	Koulopoulos	.....	D14/188
D364,610 S	*	11/1995	Sanchez et al.	.....	D14/388
D368,700 S	*	4/1996	Swansey	.....	D14/348
D383,456 S	*	9/1997	Pierce et al.	.....	D14/125
D390,217 S	*	2/1998	Prstojevich et al.	.....	D14/125
D391,940 S	*	3/1998	Sakata	.....	D16/213
D393,451 S	*	4/1998	Faranda et al.	.....	D14/434
D394,858 S	*	6/1998	Wordinger et al.	.....	D14/188
D407,091 S	*	3/1999	Nagele et al.	.....	D14/257
D416,562 S	*	11/1999	Larson et al.	.....	D14/242
D431,824 S	*	10/2000	Nagele et al.	.....	D14/443
6,204,444 B1	*	3/2001	Pugliese et al.	.....	174/35 GC
D441,758 S	*	5/2001	Weisz et al.	.....	D14/441

FIG. 6 is a perspective view of the optical communications device housing portion in accordance with a second embodiment of our design;

FIG. 7 is a top plan view of the optical communications device housing portion in accordance with the second embodiment of our design;

FIG. 8 is a front elevational view of the optical communications device housing portion in accordance with the second embodiment of our design;

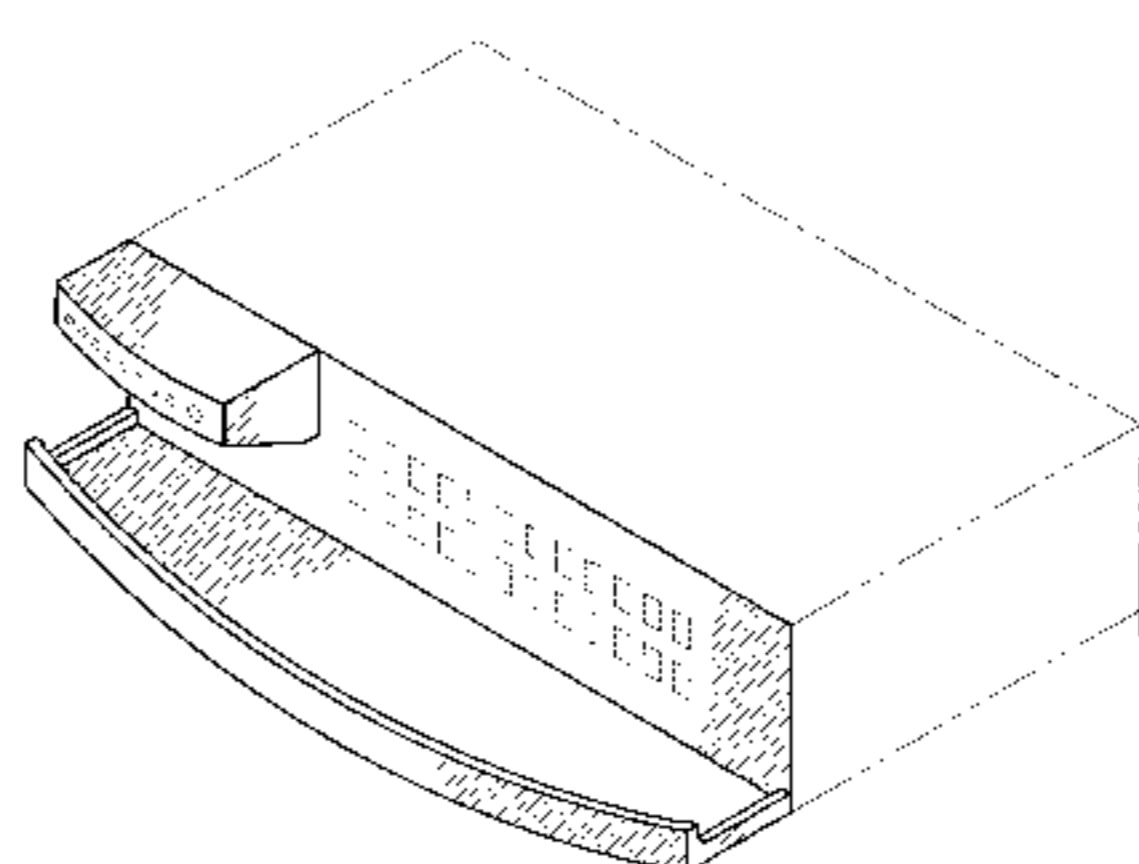
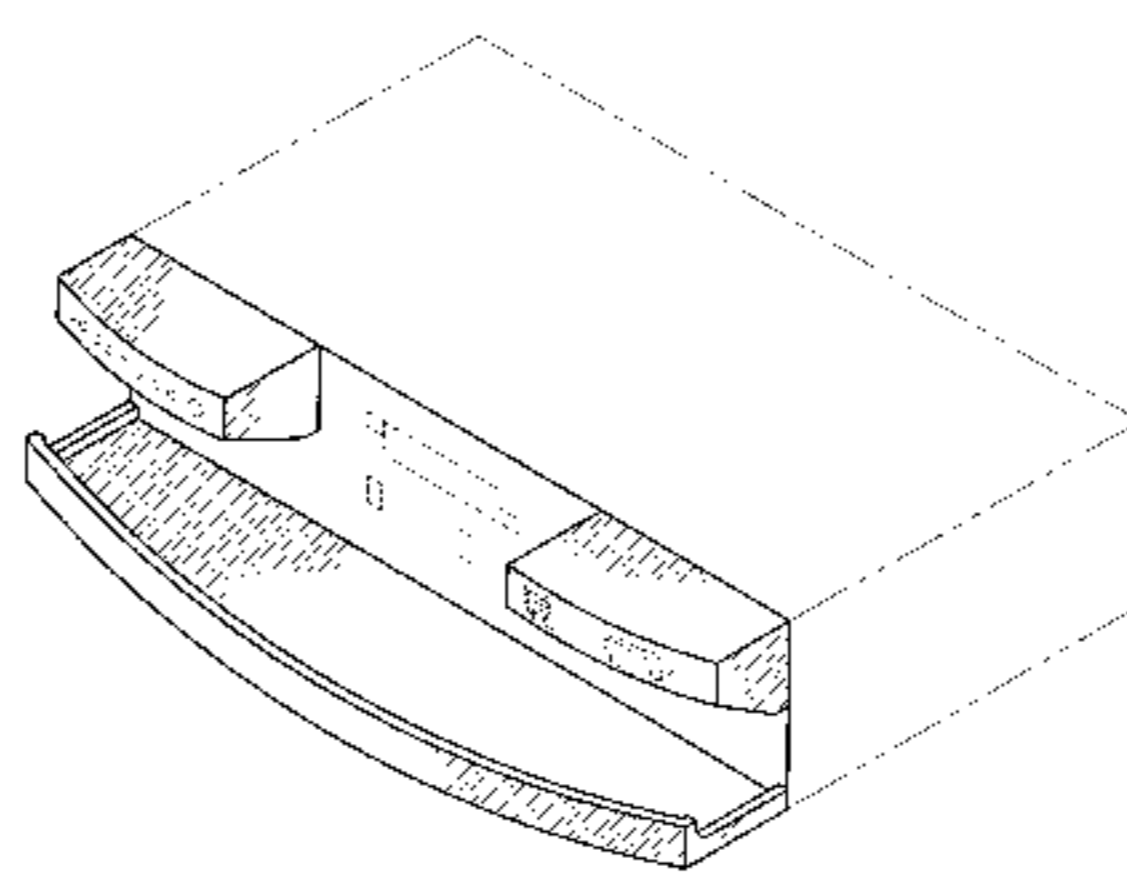
FIG. 9 is a right side elevational view of the optical communications device housing portion in accordance with the second embodiment of our design; and,

FIG. 10 is a left side elevational view of the optical communications device housing portion in accordance with the second embodiment of our design.

The broken lines show the environment in which the article is used and are not considered part of the design claimed.

\* cited by examiner

**1 Claim, 6 Drawing Sheets**



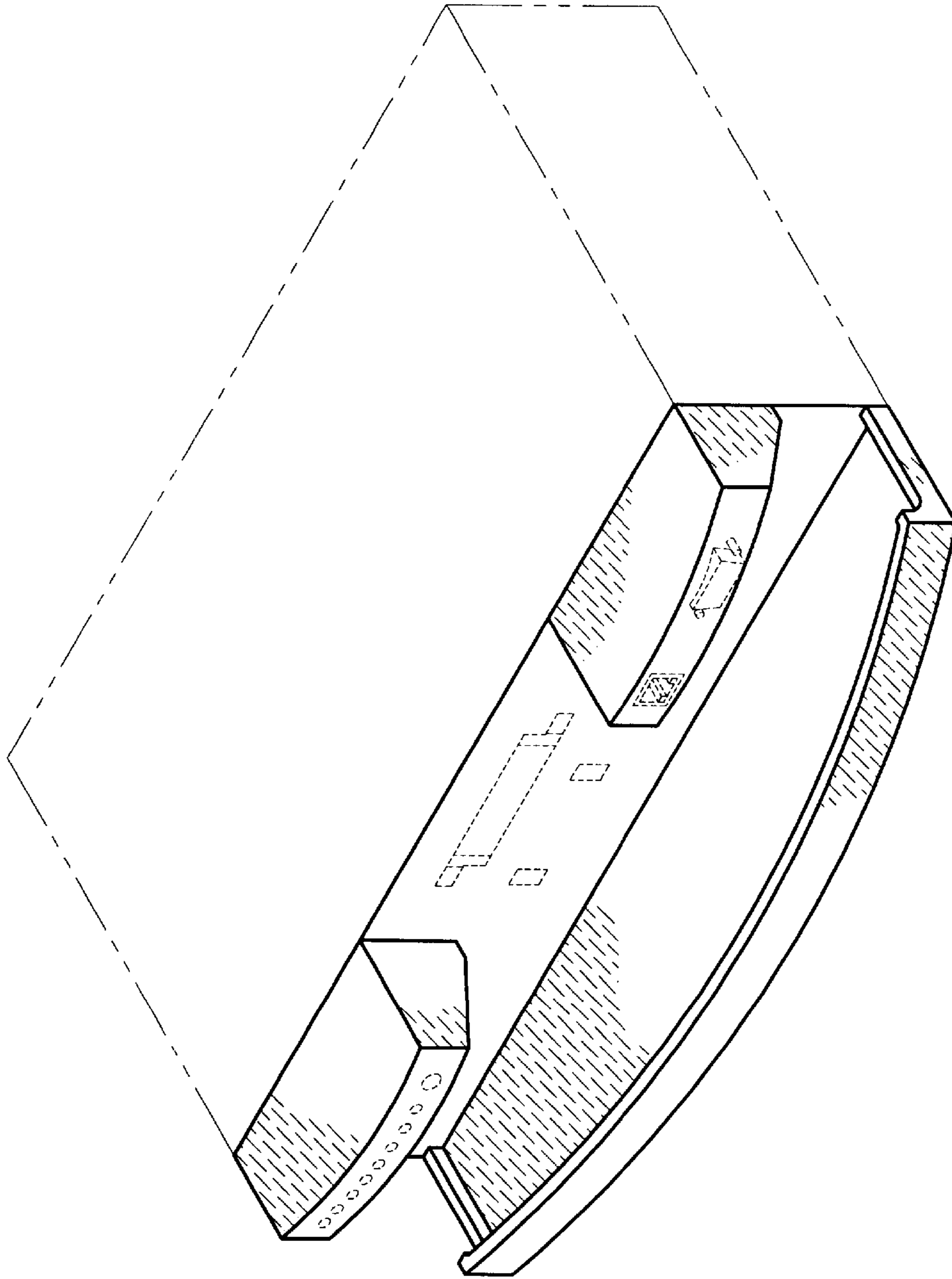


FIG. 1

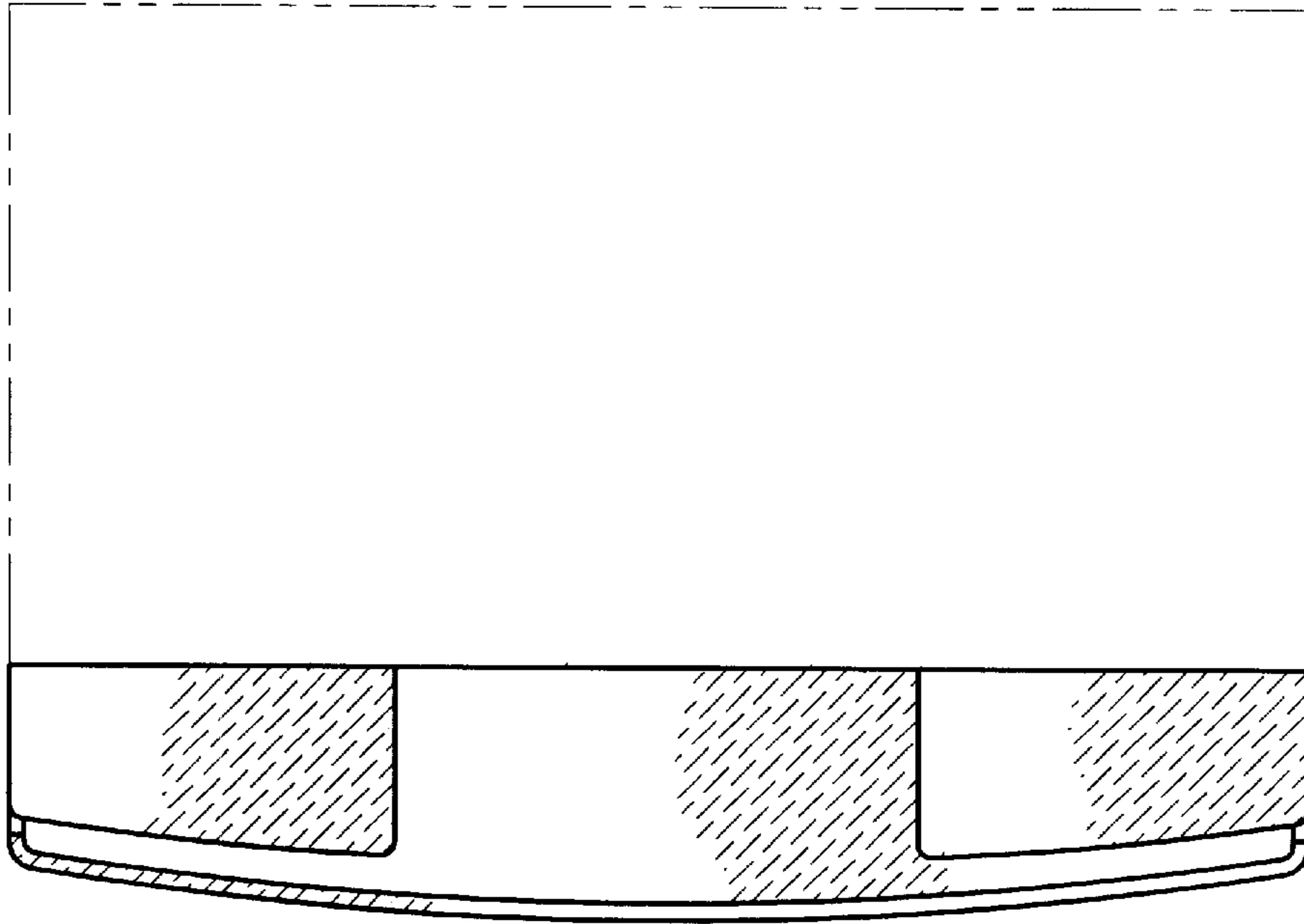


FIG. 2

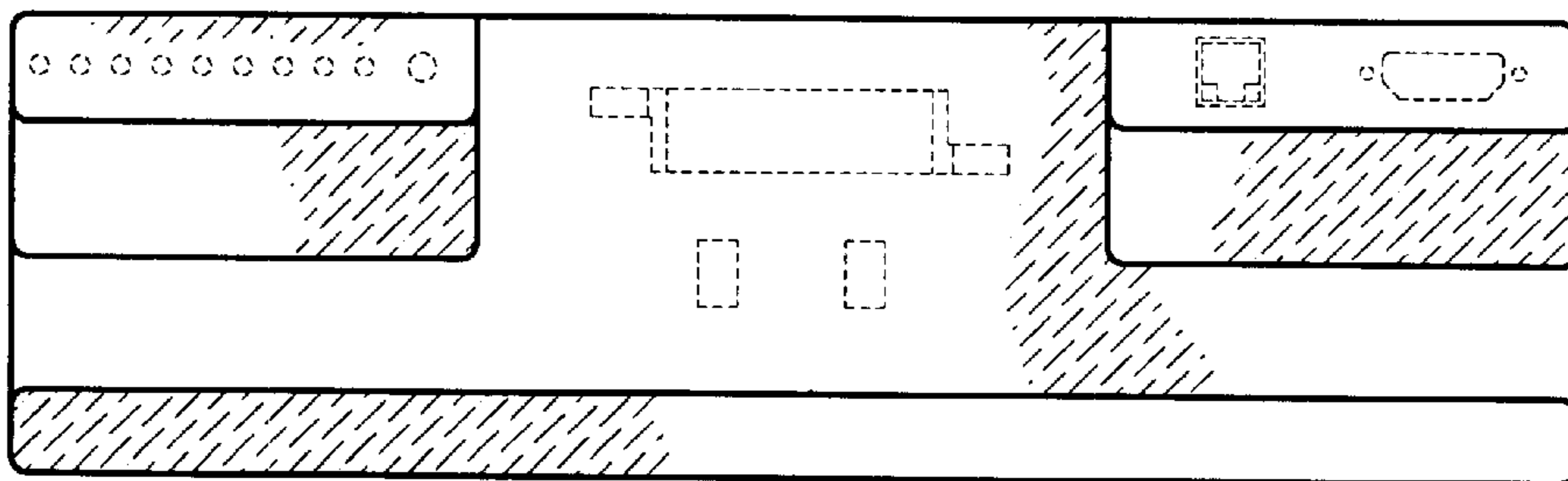
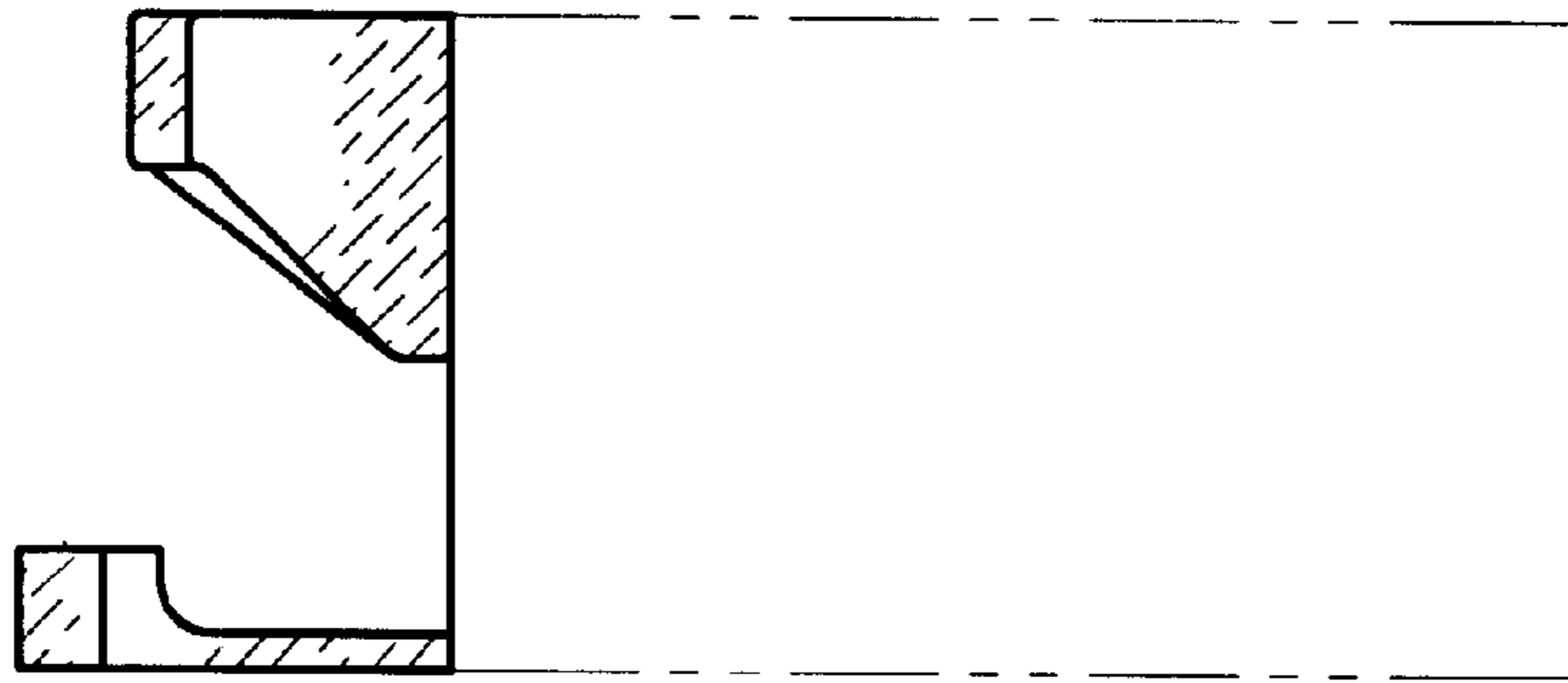
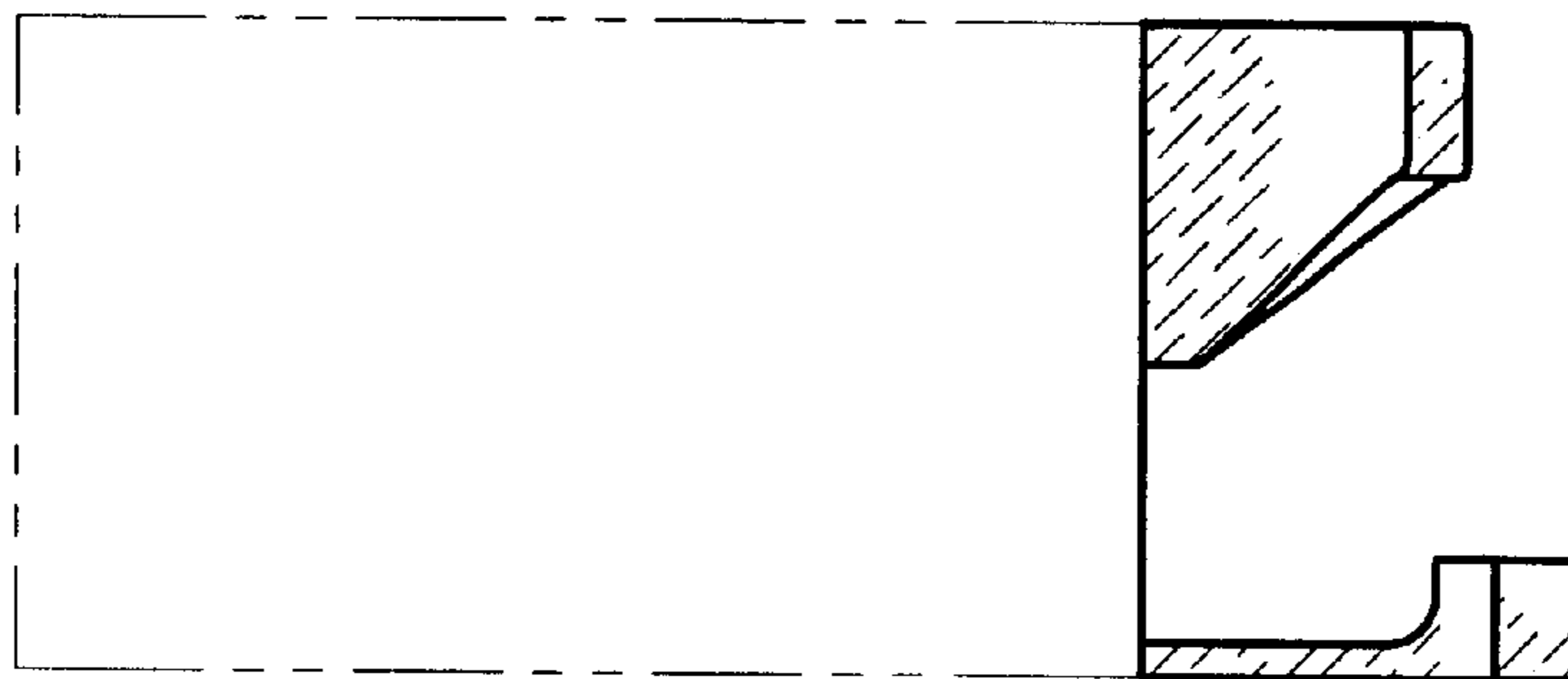


FIG. 3



*FIG. 4*



*FIG. 5*

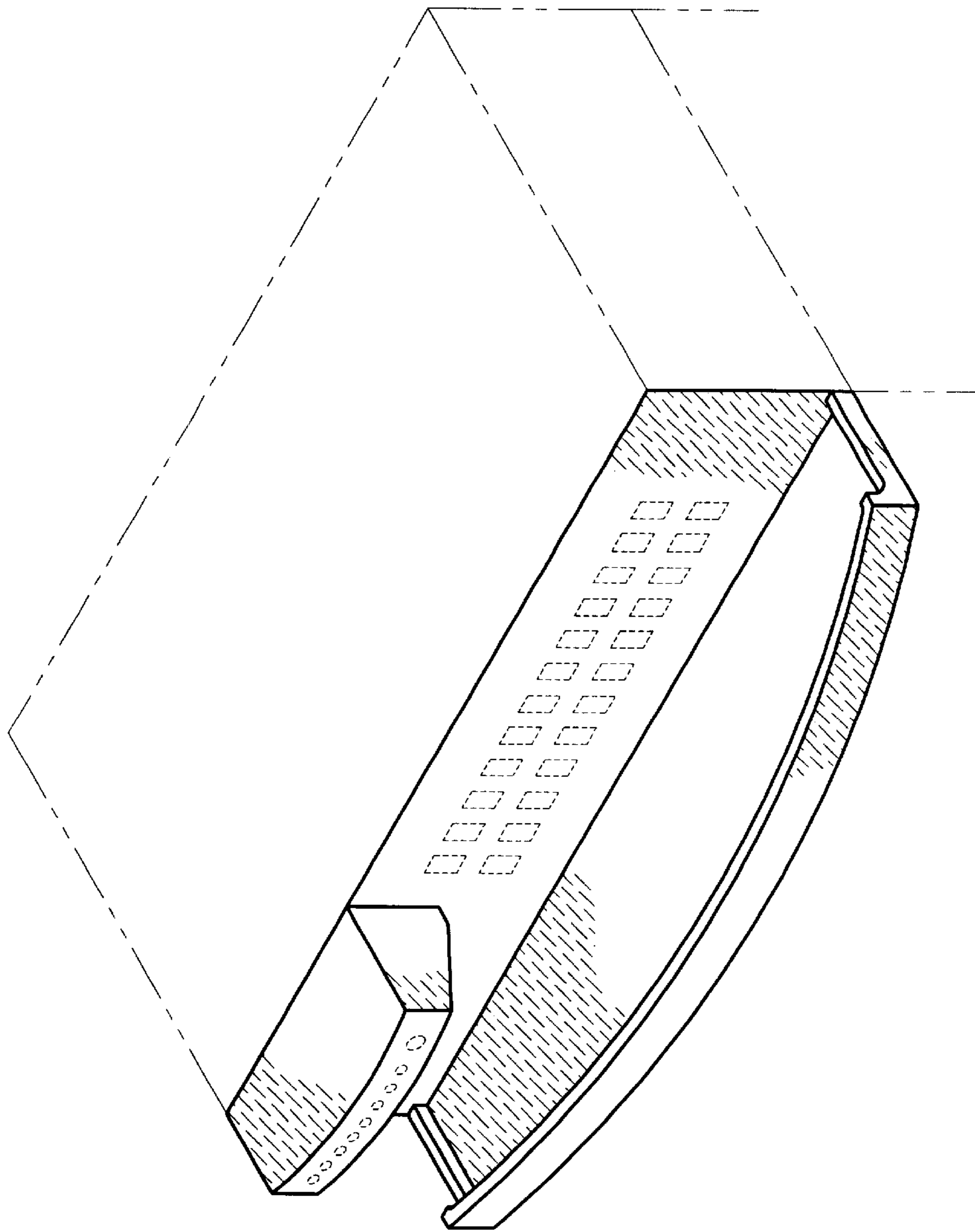


FIG. 6

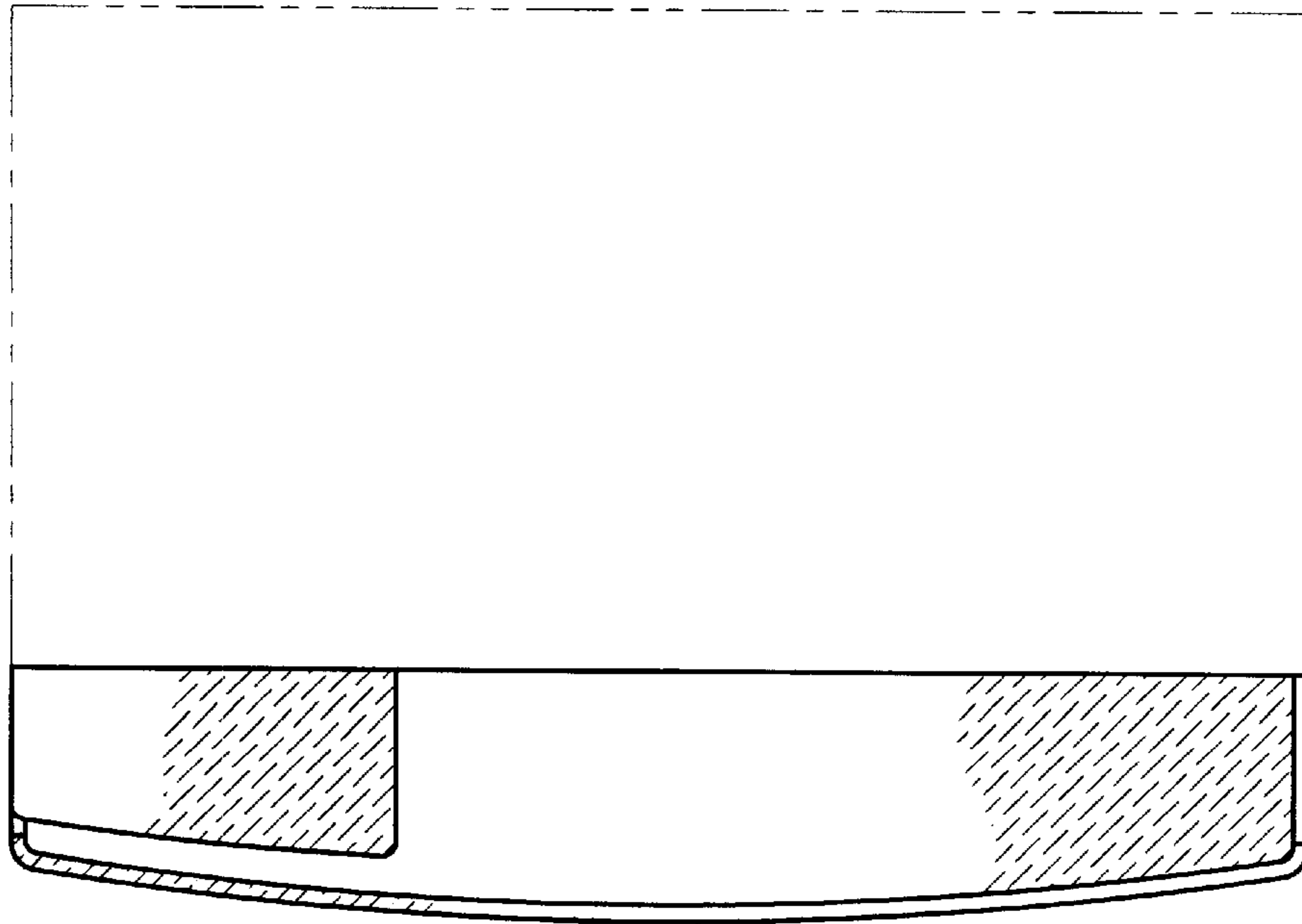


FIG. 7

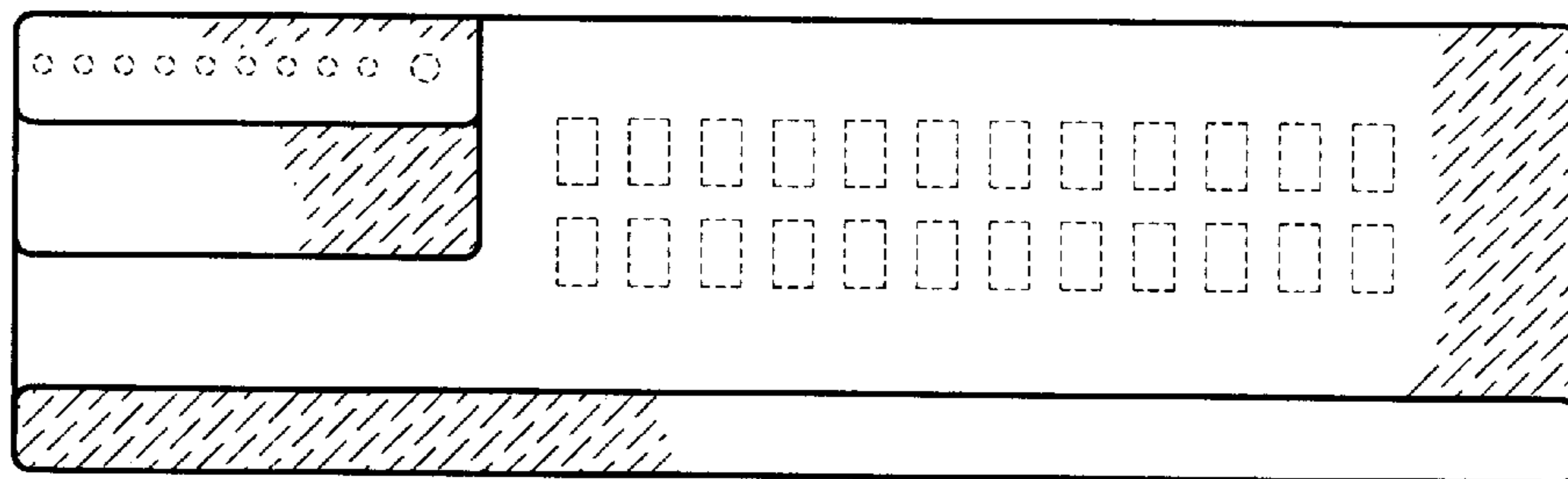
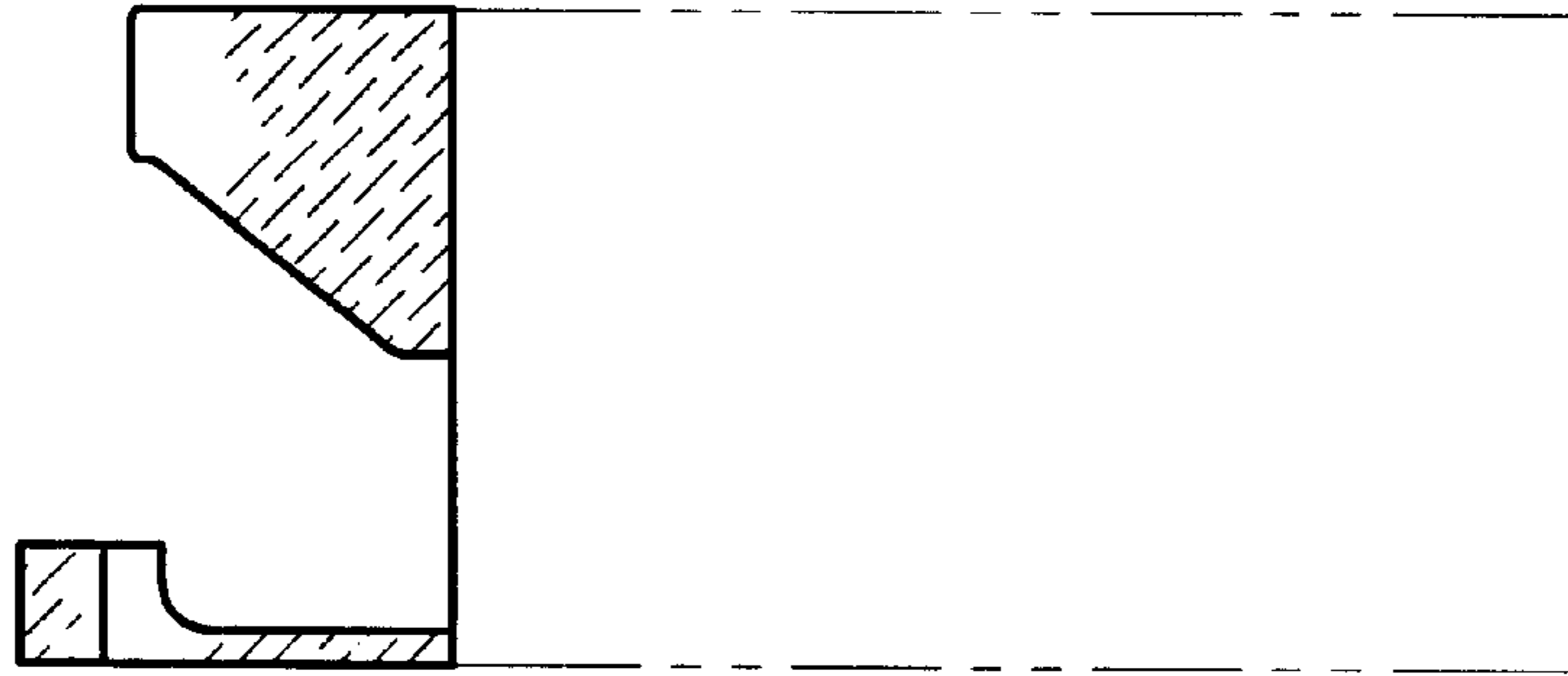
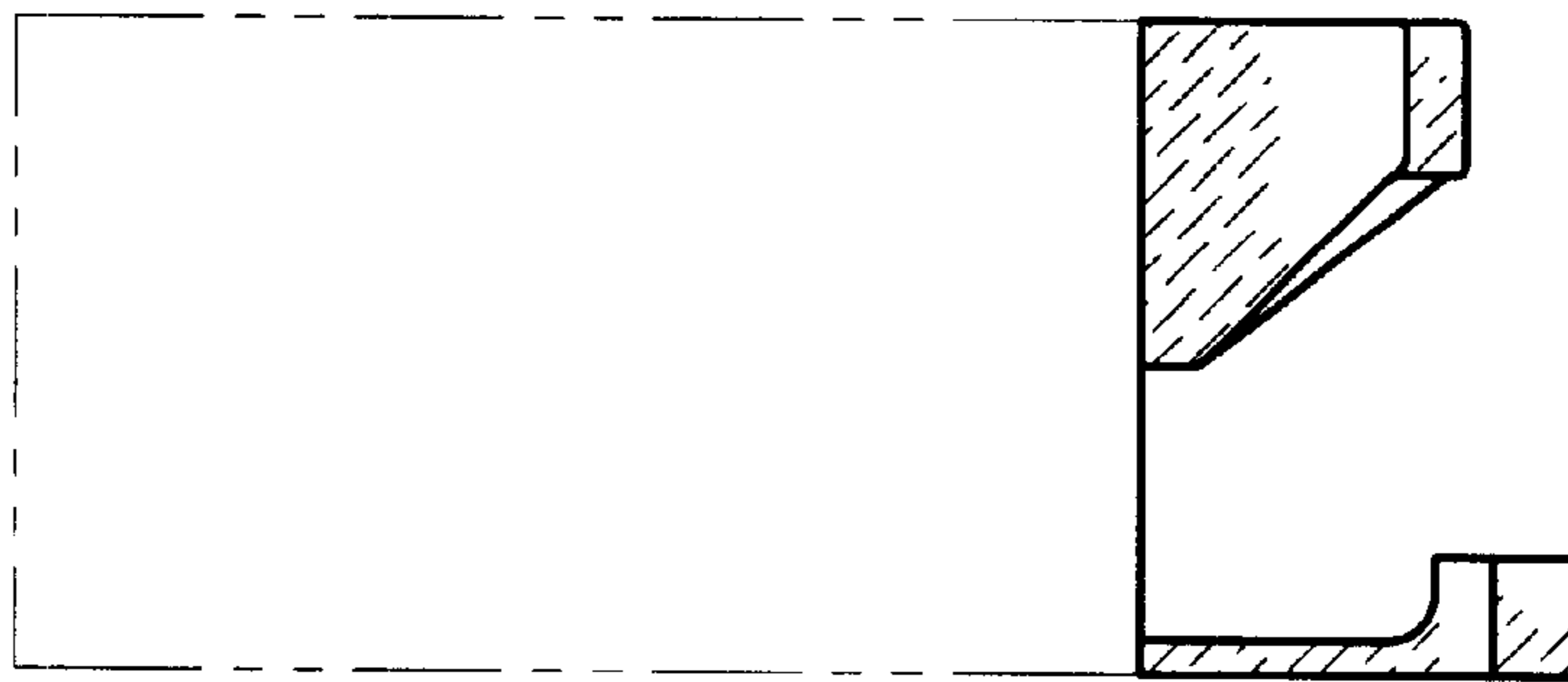


FIG. 8



*FIG. 9*



*FIG. 10*