



US00D468731S

(12) **United States Design Patent**
Wilson

(10) **Patent No.:** **US D468,731 S**

(45) **Date of Patent:** **** Jan. 14, 2003**

(54) **DUAL STACKED ANTENNA WITH RODS**

(75) **Inventor:** **James W. Wilson**, Saint George, UT (US)

(73) **Assignee:** **Wilson Electronics, Inc.**, Saint George, UT (US)

(**) **Term:** **14 Years**

(21) **Appl. No.:** **29/156,270**

(22) **Filed:** **Feb. 25, 2002**

(51) **LOC (7) Cl.** **14-03**

(52) **U.S. Cl.** **D14/234**

(58) **Field of Search** D14/230-238,
D14/299; 343/711-717, 702, 720, 900,
901, 907, 872, 873, 878, 879; 455/90, 128,
347, 562; D12/42, 43, 400

(56) **References Cited**

U.S. PATENT DOCUMENTS

- D213,099 S * 1/1969 Shirey D14/233
- 4,038,661 A * 7/1977 Nolte 343/715
- D253,053 S * 10/1979 Wilson D14/233
- 4,209,790 A * 6/1980 Newcomb 343/901

- D341,362 S * 11/1993 Taguchi D14/233
- D442,577 S * 5/2001 Strand et al. D14/230
- D457,518 S * 5/2002 Wilson D14/233
- D462,070 S * 8/2002 Wilson D14/233
- D462,948 S * 9/2002 Wilson D14/234

* cited by examiner

Primary Examiner—Louis S. Zarfes

Assistant Examiner—Deanne Levy

(74) *Attorney, Agent, or Firm*—Leon D. Rosen

(57) **CLAIM**

The ornamental design for dual stacked antenna with rods, as shown and described.

DESCRIPTION

FIG. 1 is a front elevation view of a dual stacked antenna with rods, showing my design.

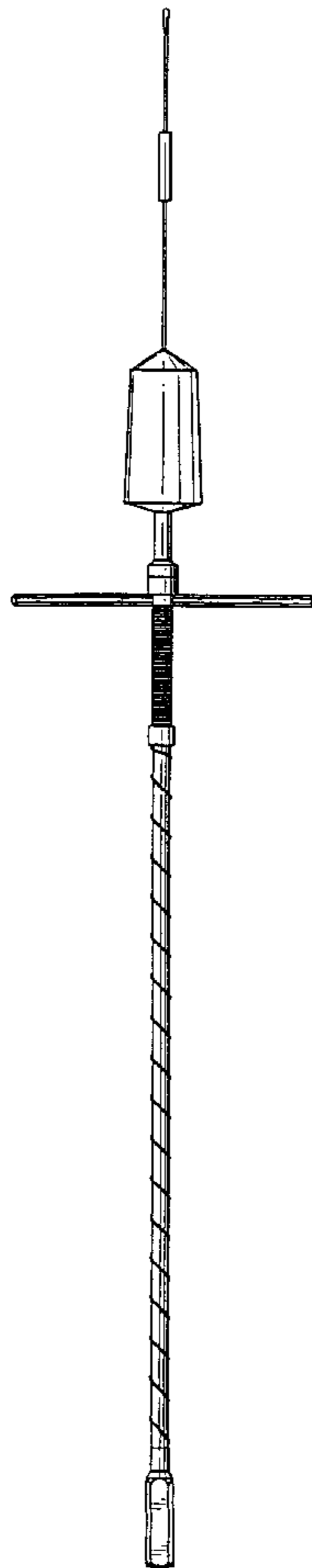
FIG. 2 is a top view thereof.

FIG. 3 is a bottom view thereof.

FIG. 4 is a front elevation view thereof which is twice the size as in FIG. 1, and with a break in the middle; and,

FIG. 5 is a left side elevation view thereof with part of the length of the mast being cut away, the right side elevation view being a mirror image thereof.

1 Claim, 3 Drawing Sheets



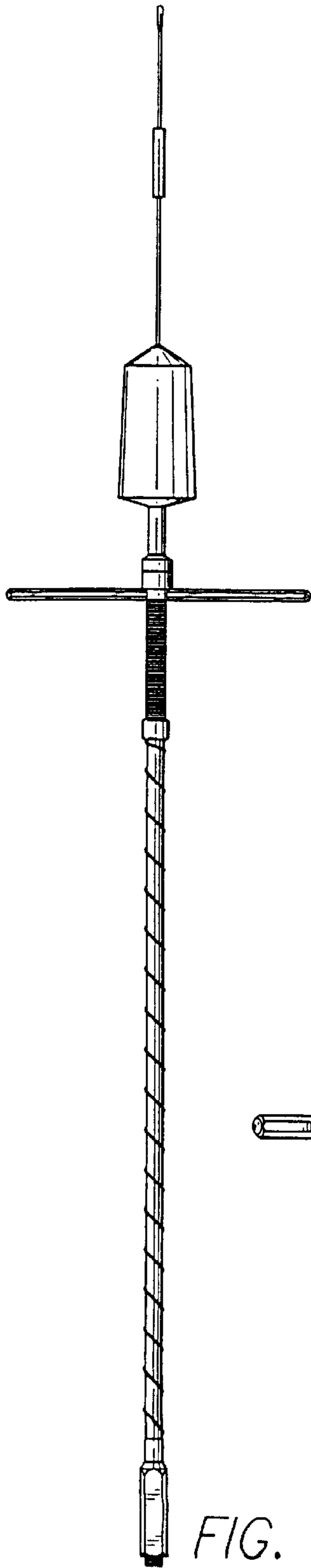


FIG. 1

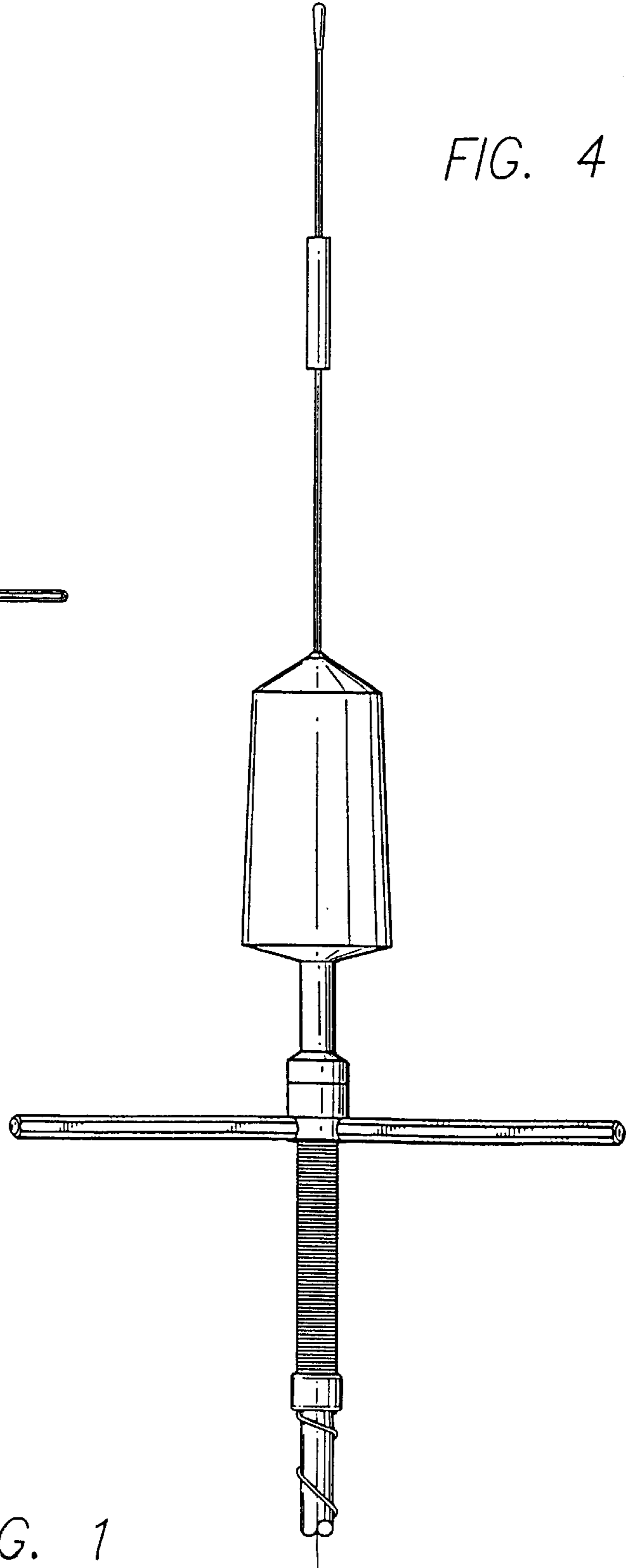
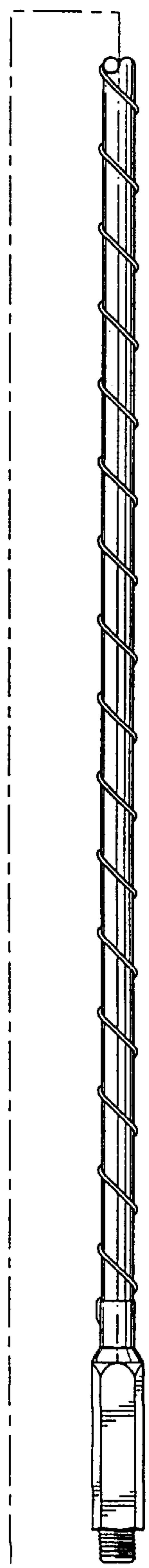
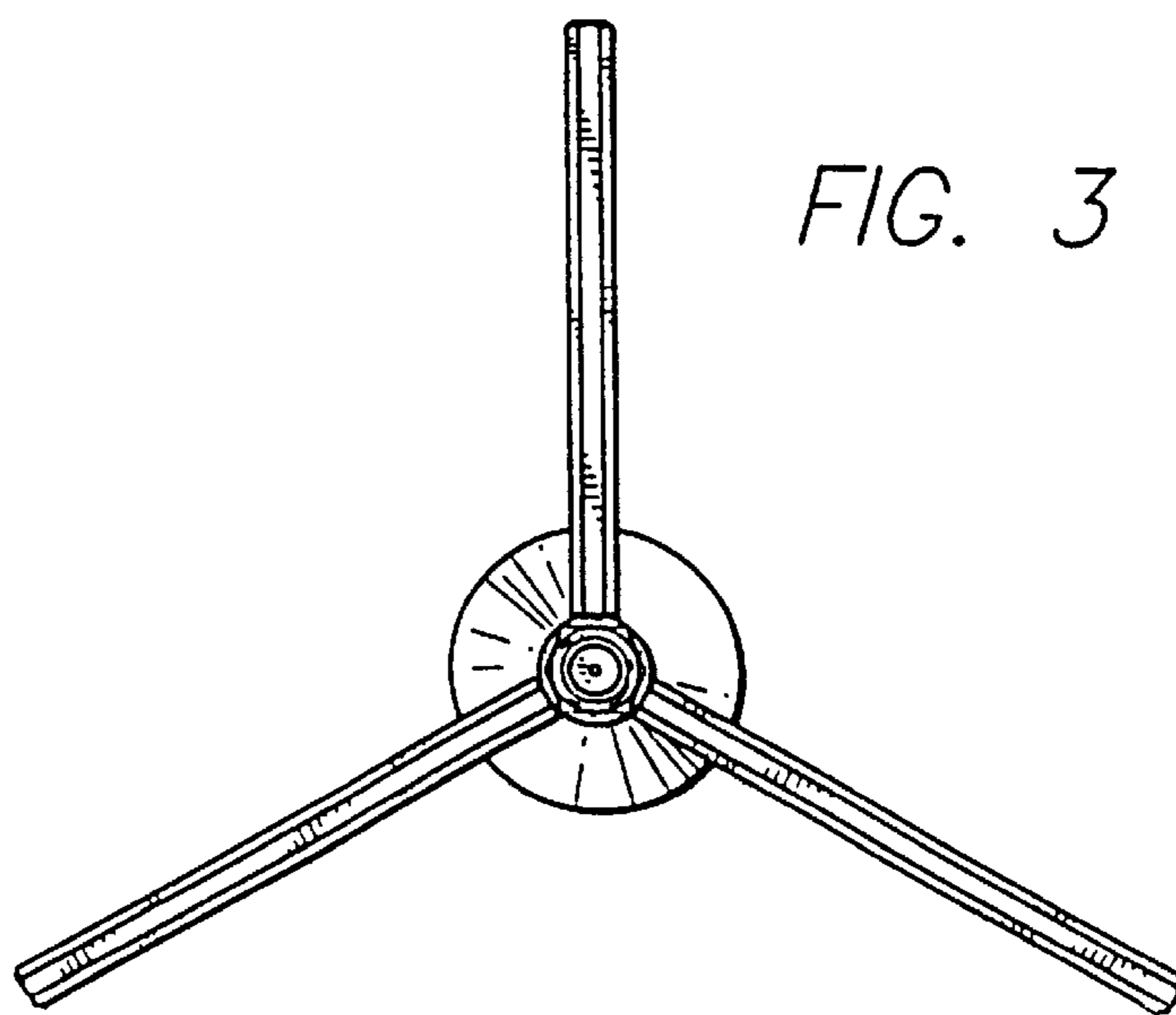
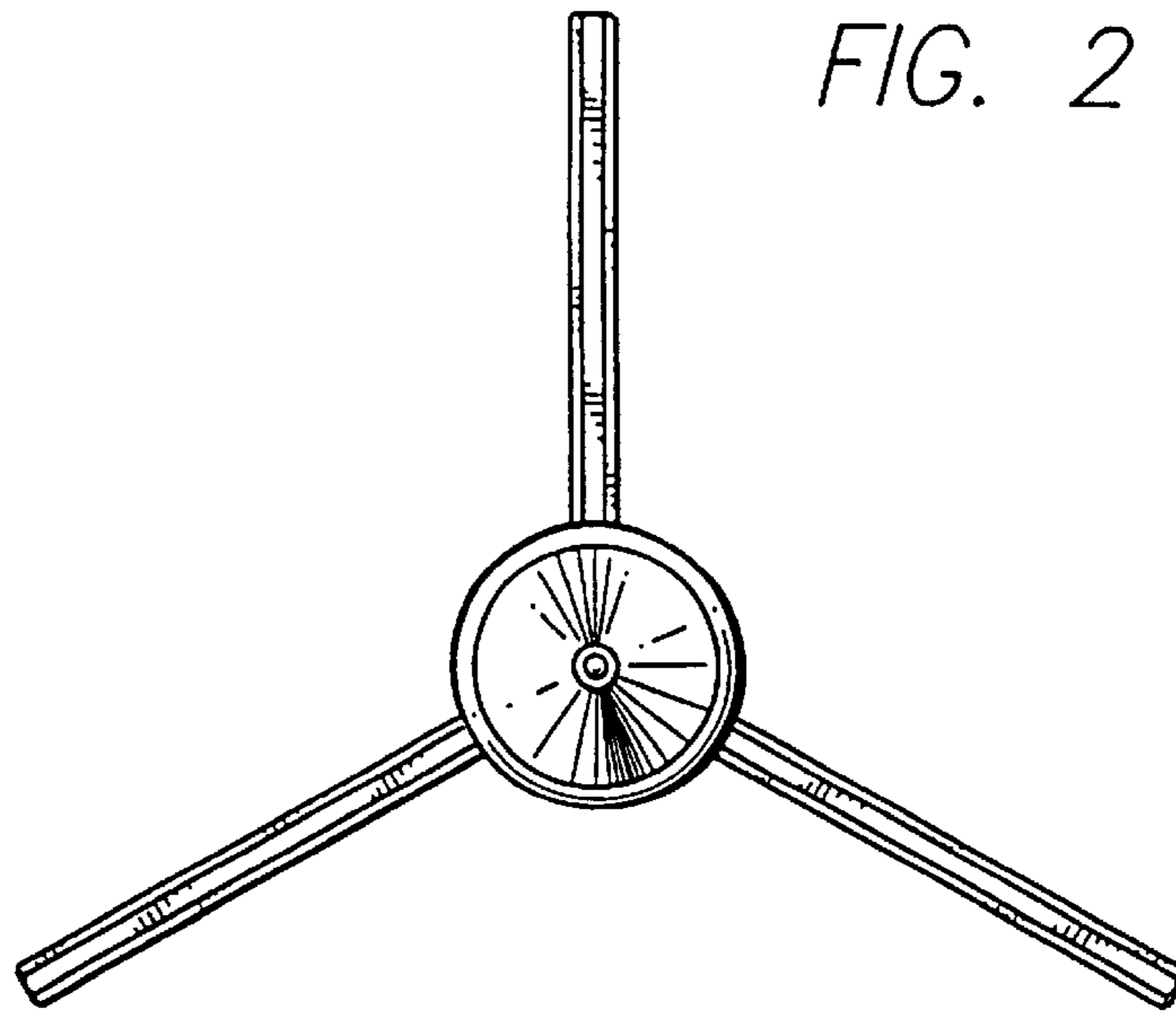


FIG. 4





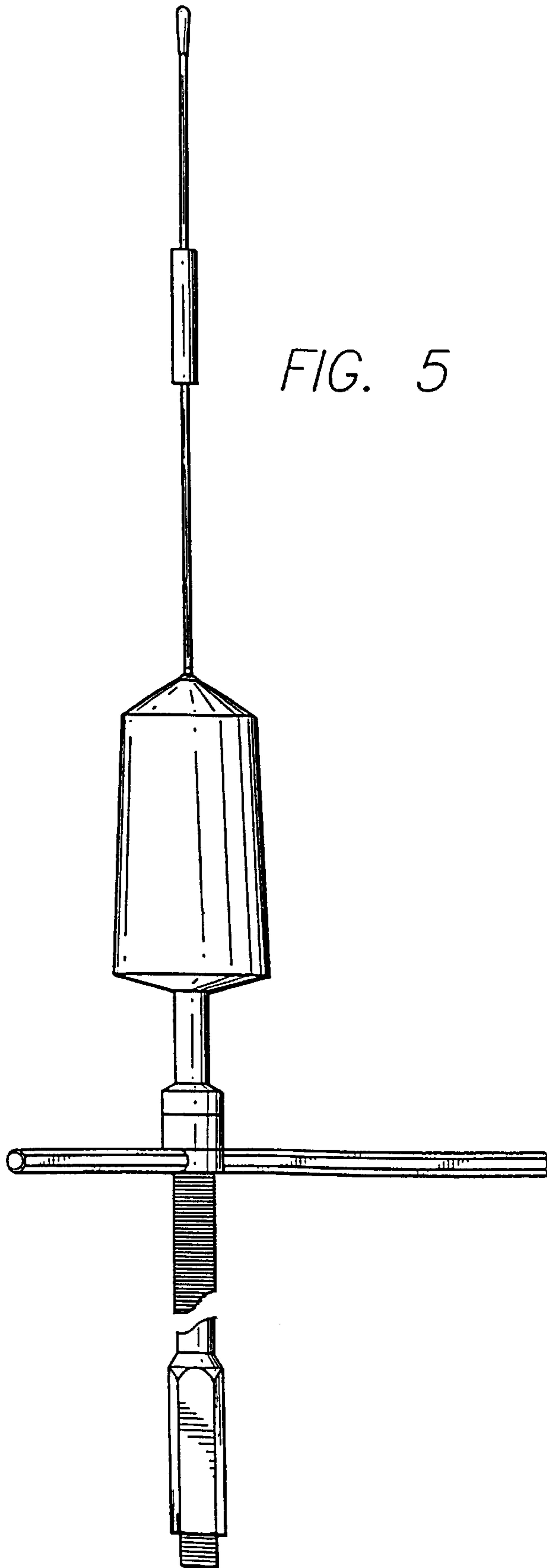


FIG. 5