



US00D468728S

(12) **United States Design Patent**
Rath et al.

(10) **Patent No.:** **US D468,728 S**
(45) **Date of Patent:** **** Jan. 14, 2003**

(54) **FLIP OPEN HEADSET**

6,269,259 B1 7/2001 Lai

(75) Inventors: **Klaus Rath**, Gentofte (DK); **Charles L. Pedersen**, Virum (DK); **Ian Smith**, Merrimack, NH (US); **Stephen Lyman**, Hudson, NH (US); **Martin Bodley**, Sudbury, MA (US)

FOREIGN PATENT DOCUMENTS

DE 298 08 425 10/1998
DE 299 08 529 10/1998

OTHER PUBLICATIONS

Ericsson Bluetooth Wireless Headset, photo taken from e-mobilecenter.com web site, undated.

(73) Assignee: **GN Netcom A.S** (DK)

(**) Term: **14 Years**

* cited by examiner

(21) Appl. No.: **29/138,757**

Primary Examiner—Nanda Bondade

(22) Filed: **Mar. 19, 2001**

(74) *Attorney, Agent, or Firm*—Altera Law Group LLC

(51) **LOC (7) Cl.** **14-01**

(52) **U.S. Cl.** **D14/223; D14/206**

(58) **Field of Search** D14/188, 192,
D14/205–206, 223; 181/129–130; 379/430,
433; 381/370, 376–381

(57) CLAIM

The ornamental design for flip open headset, as shown and described.

(56) **References Cited**

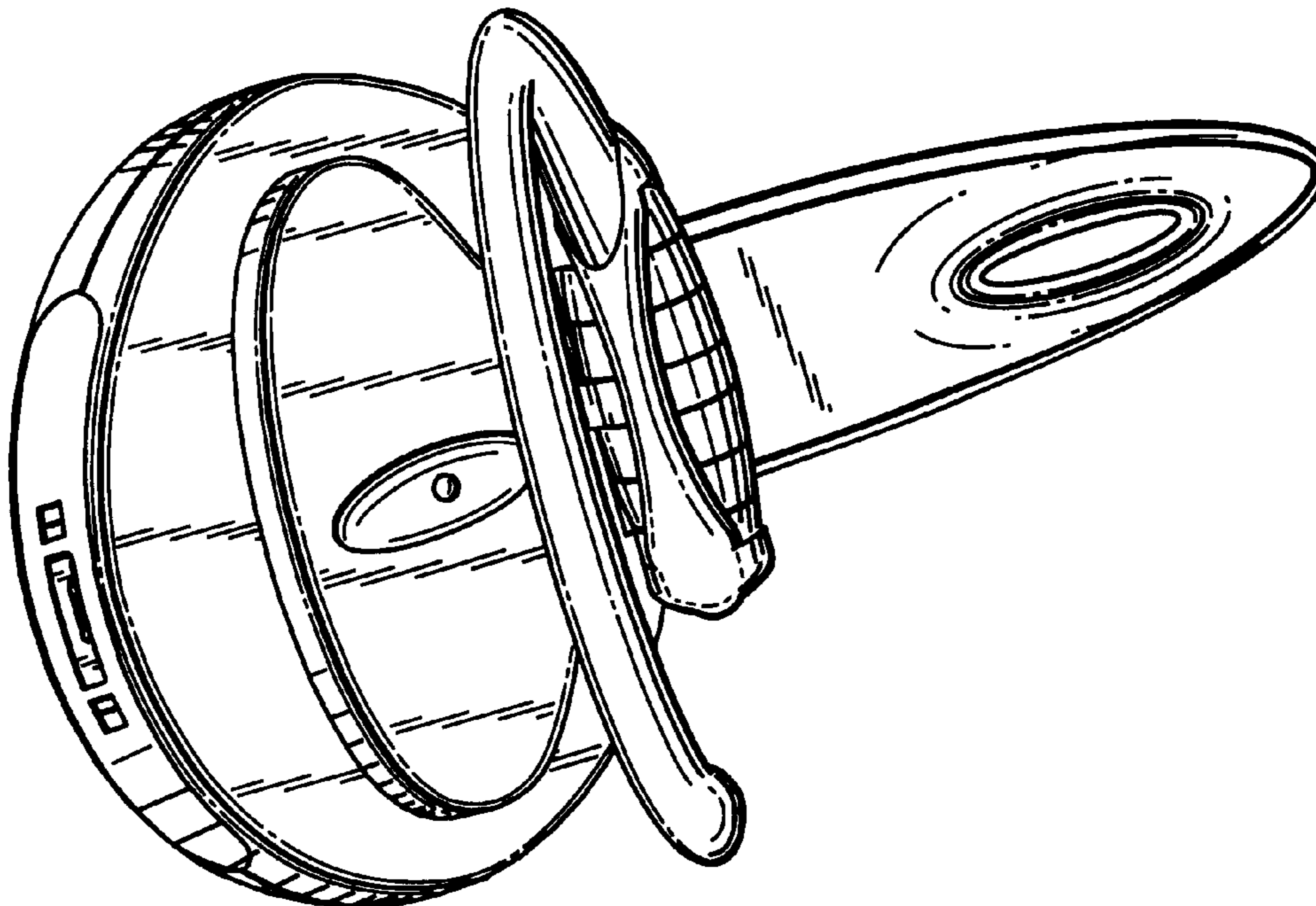
DESCRIPTION

U.S. PATENT DOCUMENTS

D174,053 S	*	2/1955	Norris	D14/192
5,210,791 A		5/1993	Krasik		
5,359,647 A		10/1994	Regen et al.		
D357,479 S	*	4/1995	Coomans	D14/223
5,450,496 A	*	9/1995	Burris et al.	381/381
5,504,812 A		4/1996	Vangarde		
5,655,026 A	*	8/1997	Peters et al.	381/370 X
5,787,166 A		7/1998	Ullman		
D419,564 S	*	1/2000	McDonald et al.	D14/223
6,035,961 A	*	3/2000	Sun	181/129

FIG. 1 is a front elevational view of a flip open headset showing our new design;
FIG. 2 is a top plan view thereof.
FIG. 3 is a bottom plan view thereof.
FIG. 4 is a bottom right perspective view thereof.
FIG. 5 is a bottom left perspective view thereof.
FIG. 6 is a right side elevational view thereof, shown in a closed position.
FIG. 7 is a front elevational view thereof, in an alternate position;
FIG. 8 is a right side elevational view of FIG. 1; and,
FIG. 9 is a left side elevational view of FIG. 6.

1 Claim, 5 Drawing Sheets



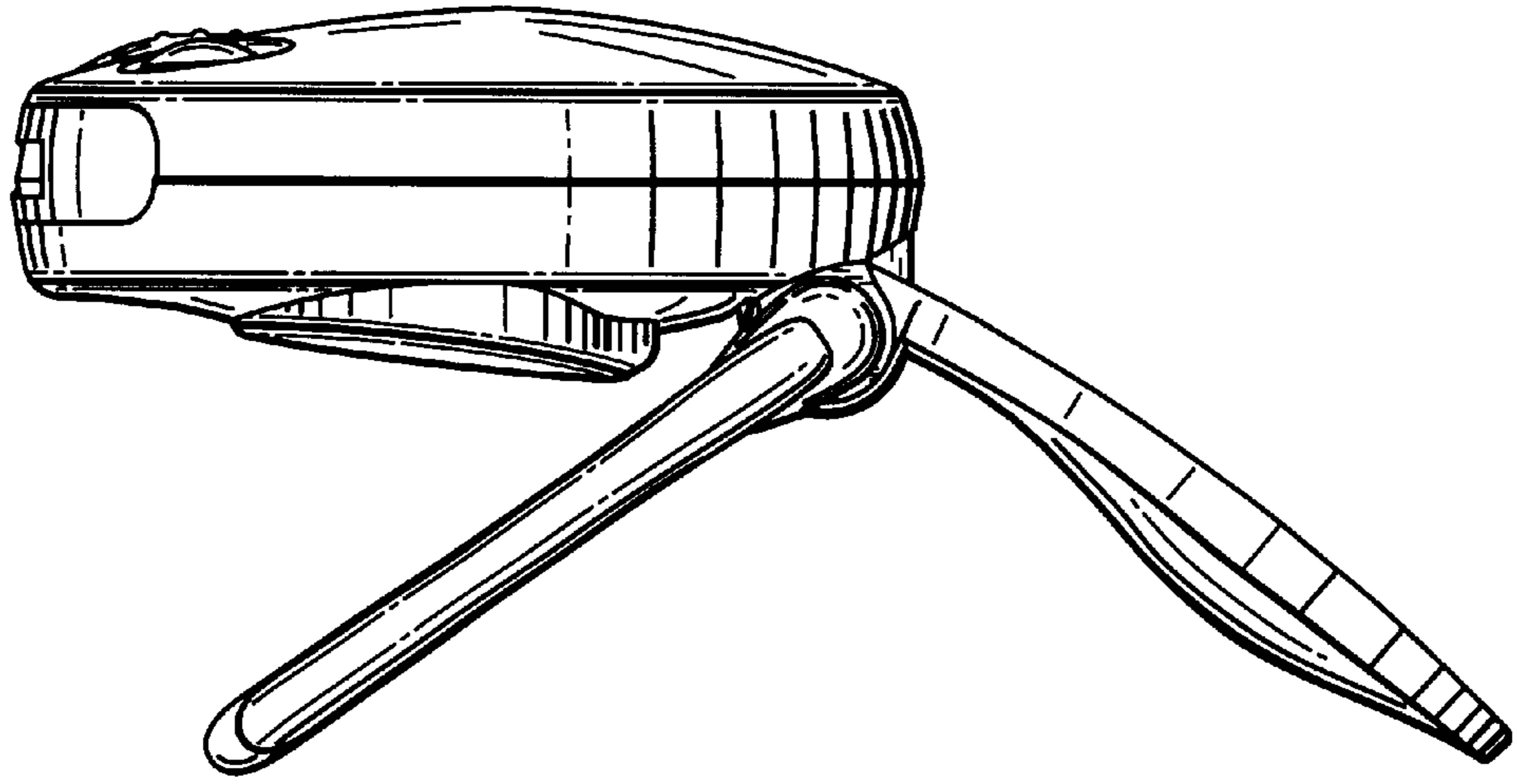


Fig. 1

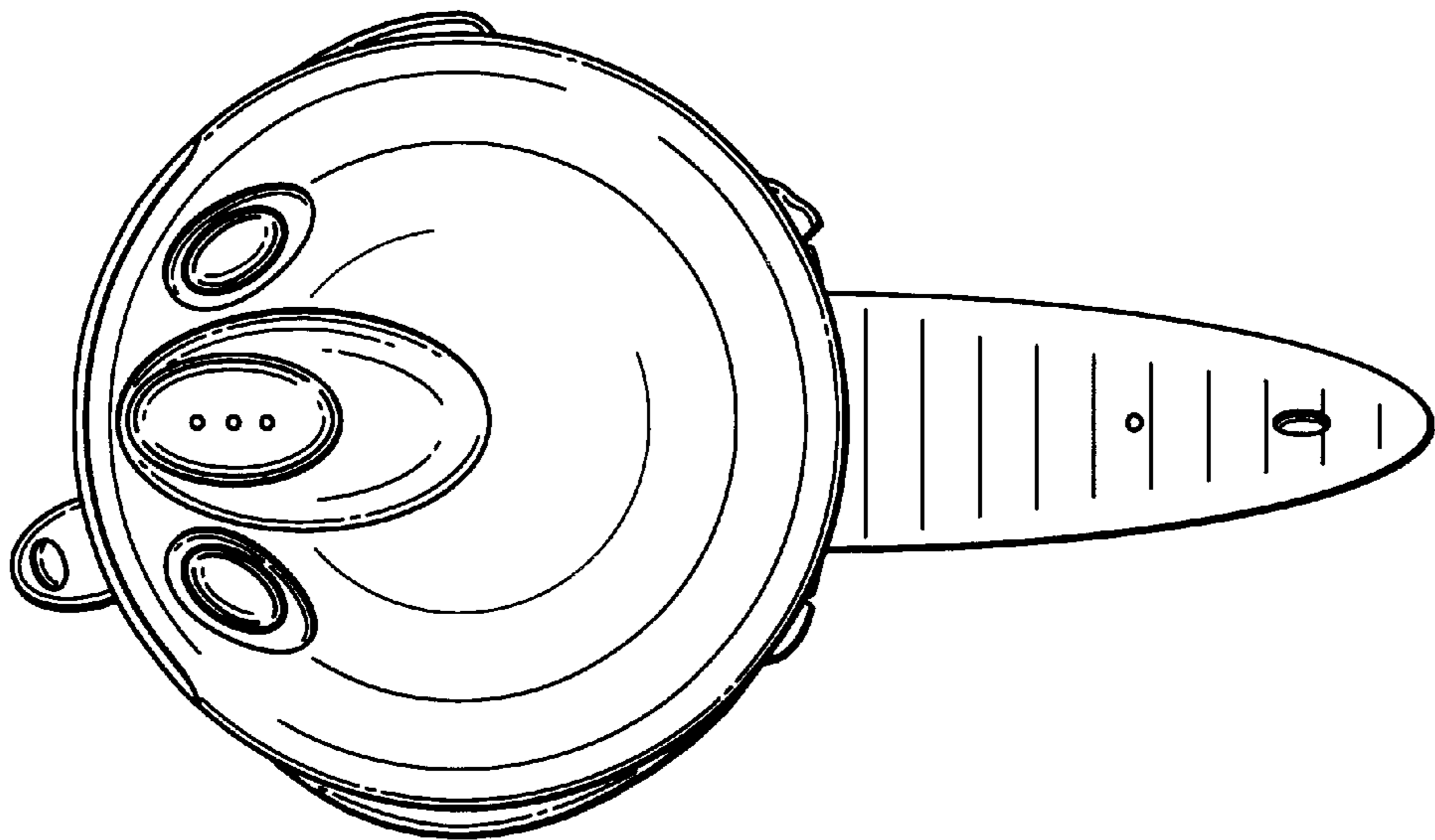


Fig. 2

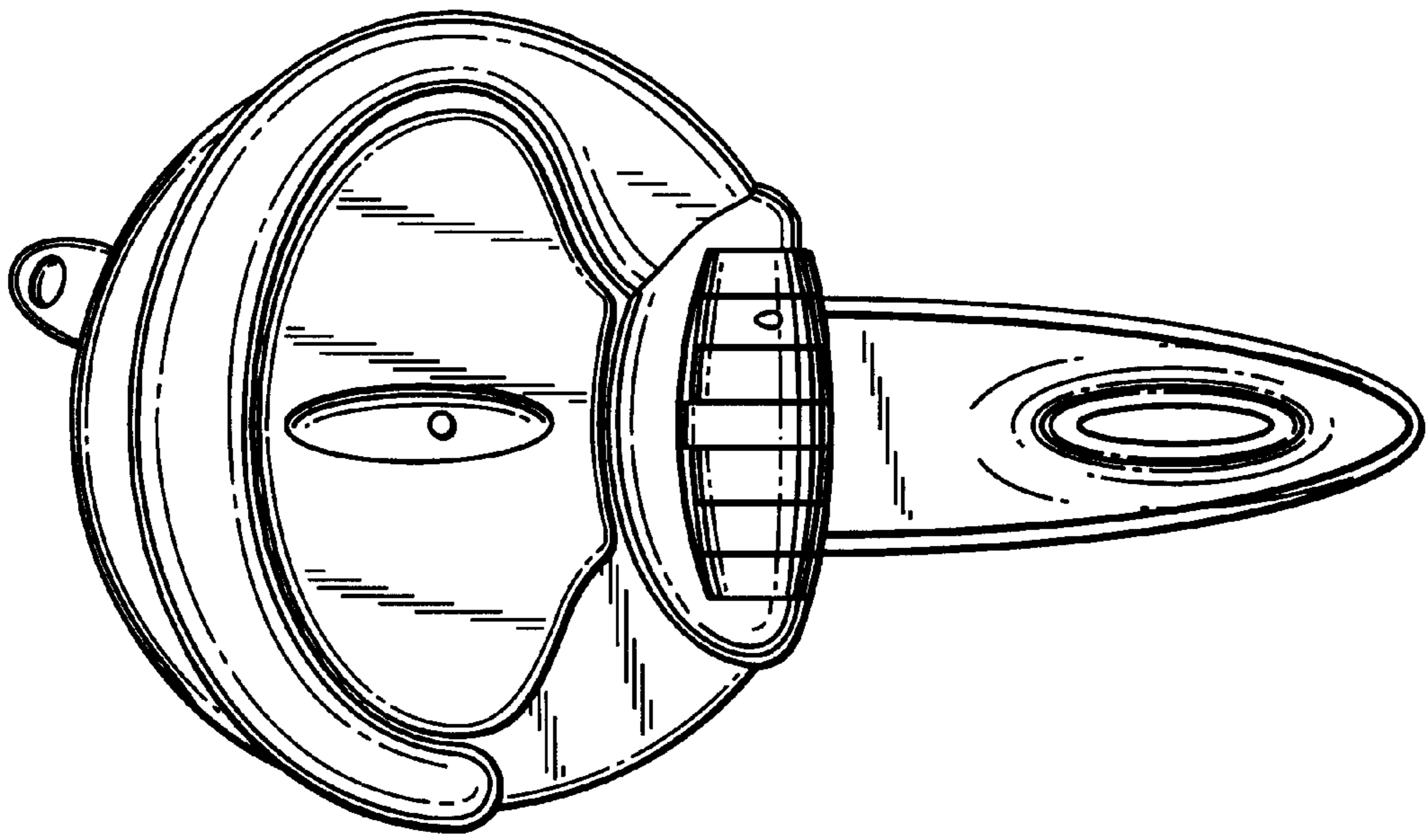


Fig. 3

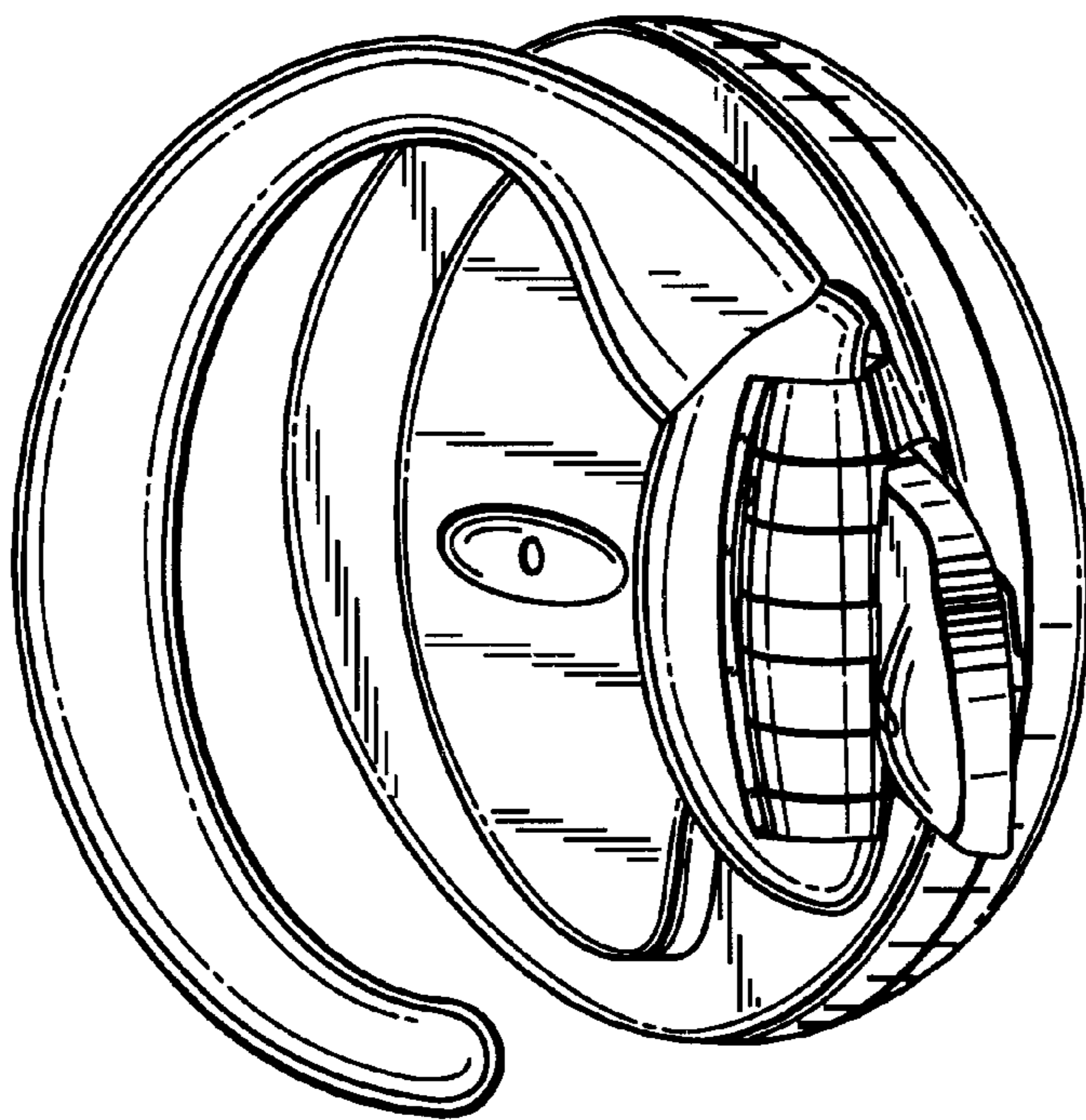


Fig. 4

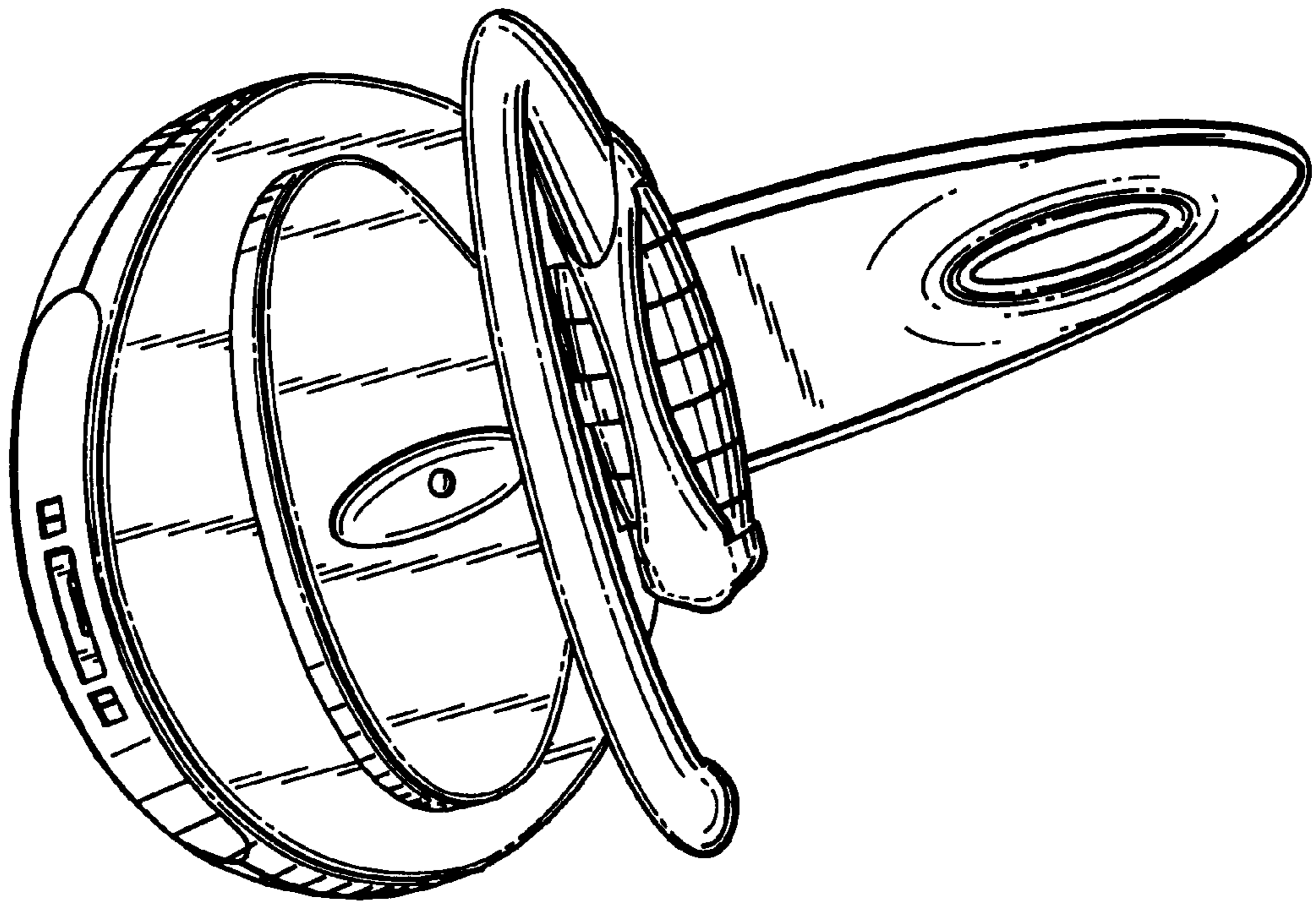


Fig. 5

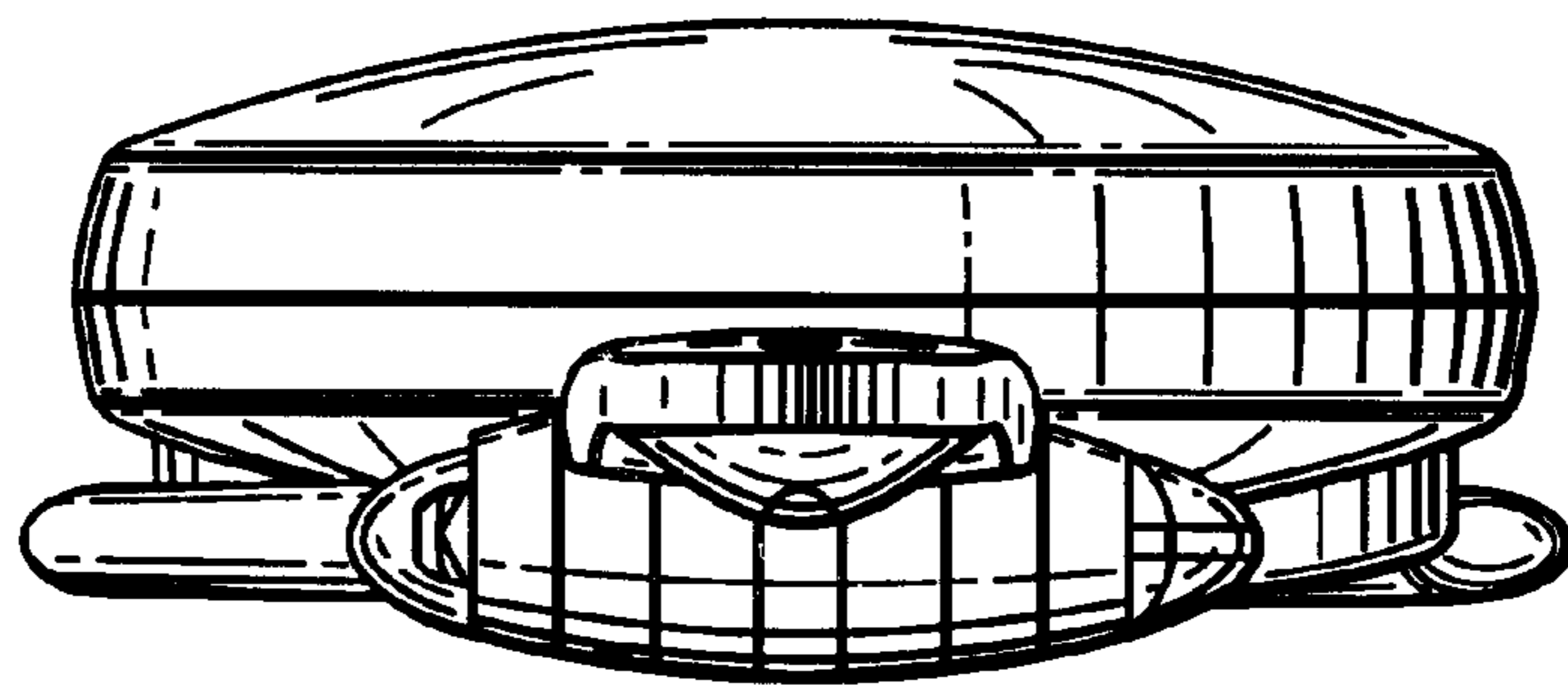


Fig. 6

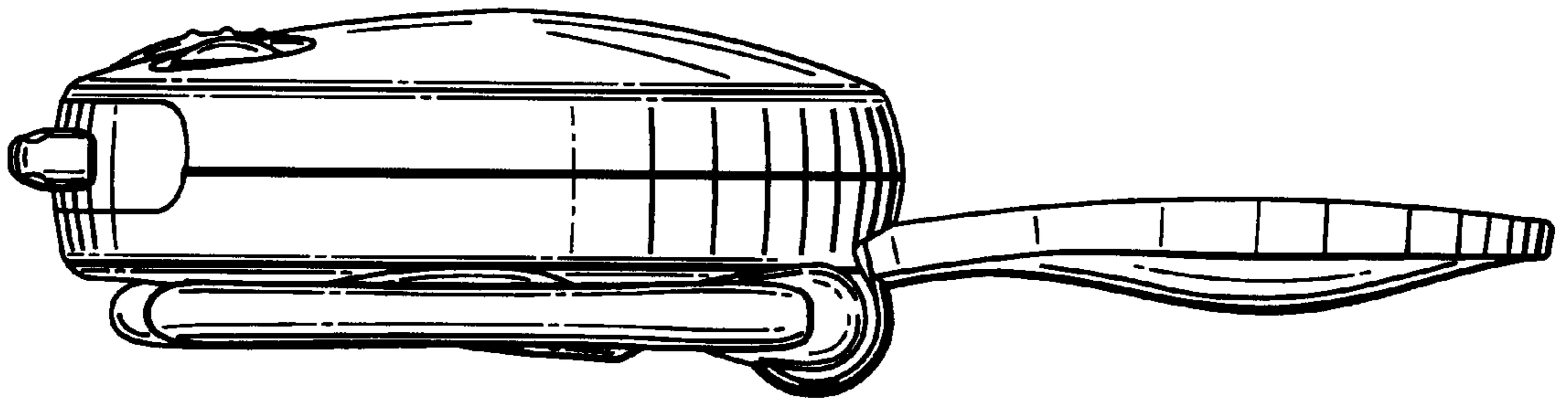


Fig. 7

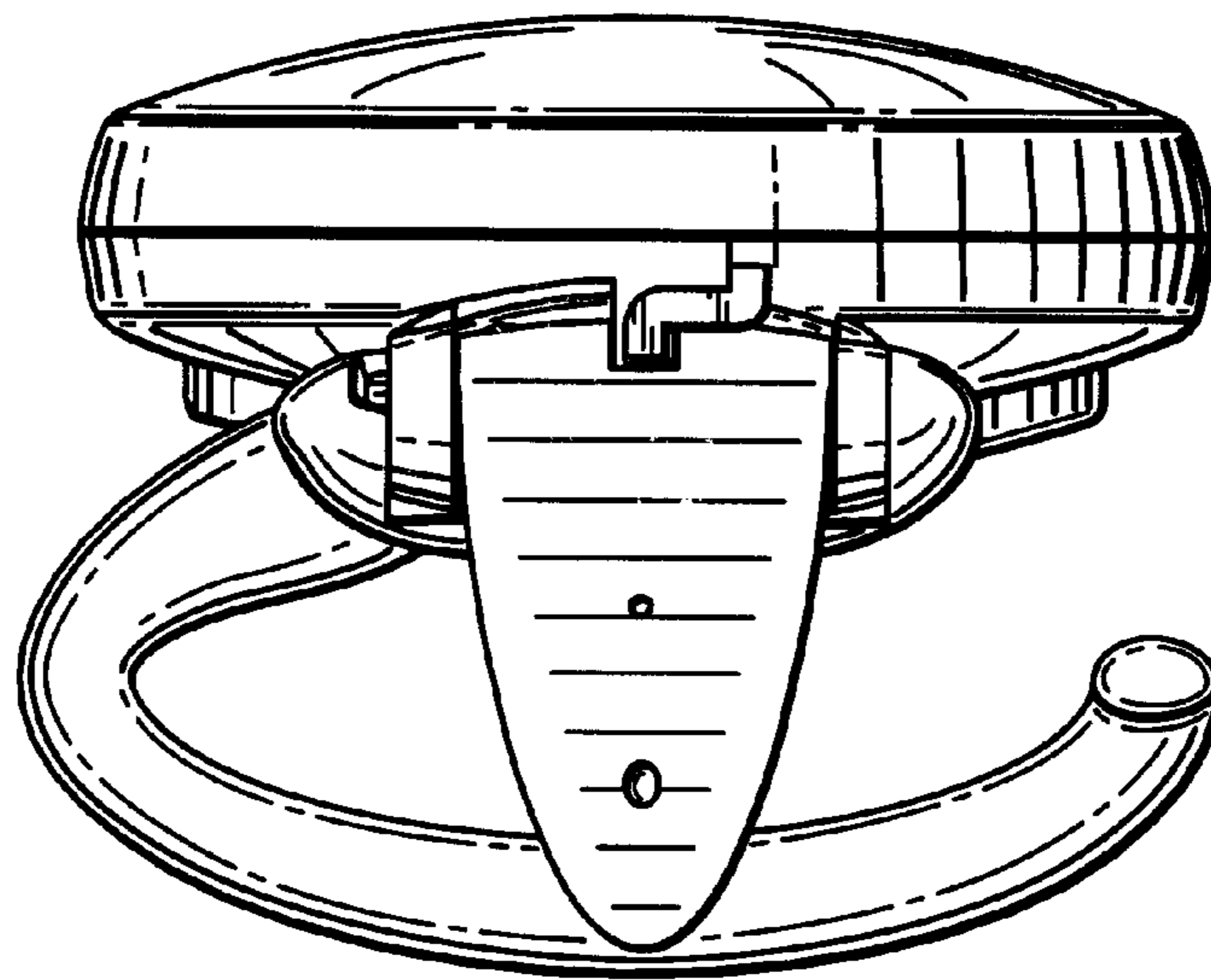


Fig. 8

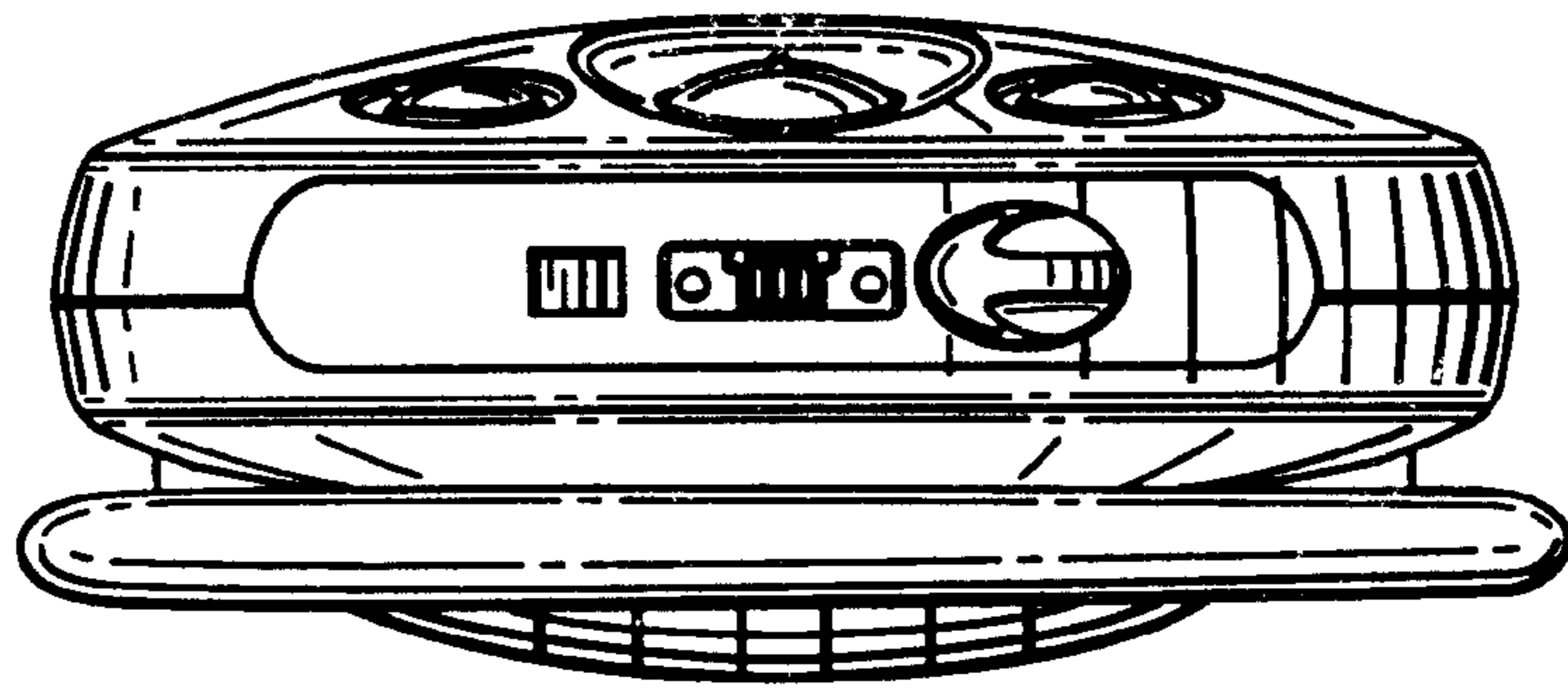


Fig. 9