



US00D468724S

(12) **United States Design Patent**
Nugent et al.

(10) **Patent No.:** **US D468,724 S**

(45) **Date of Patent:** **** Jan. 14, 2003**

(54) **STAGE MONITOR SPEAKER**

(75) Inventors: **Timothy M. Nugent**, Venice, CA (US);
Christopher W. Glupker, Van Nuys,
CA (US); **Lance G. Hussey**, Simi
Valley, CA (US); **Ravi K. Sawhney**,
Calabasas, CA (US); **Mun P. Lui**,
Northridge, CA (US); **Craig R. Steele**,
Manhattan Beach, CA (US); **Kurt G.**
Botsai, Thousand Oaks, CA (US);
Mark H. Powell, Marina del Rey, CA
(US)

(73) Assignee: **Gibson Guitar Corp.**, Nashville, TN
(US)

(**) Term: **14 Years**

(21) Appl. No.: **29/158,701**

(22) Filed: **Apr. 8, 2002**

(51) **LOC (7) Cl.** **14-01**

(52) **U.S. Cl.** **D14/214**

(58) **Field of Search** D14/204, 207,
D14/209-216, 356; 181/144-145, 147-148,
150, 153, 157, 198-199; 381/300-302,
306, 333, 345, 361-364, 386-388

(56) **References Cited**

U.S. PATENT DOCUMENTS

D266,243 S * 9/1982 Gollehon D14/215
D271,967 S * 12/1983 Meyer et al. D14/214

D276,518 S * 11/1984 Clemans D14/214
D398,008 S * 9/1998 Yamakawa et al. D14/214
D419,158 S * 1/2000 Mackie et al. D14/214
D439,238 S * 3/2001 Mackie et al. D14/214

* cited by examiner

Primary Examiner—Nanda Bondade
(74) *Attorney, Agent, or Firm*—Wadley & Patterson;
Lucian Wayne Beavers

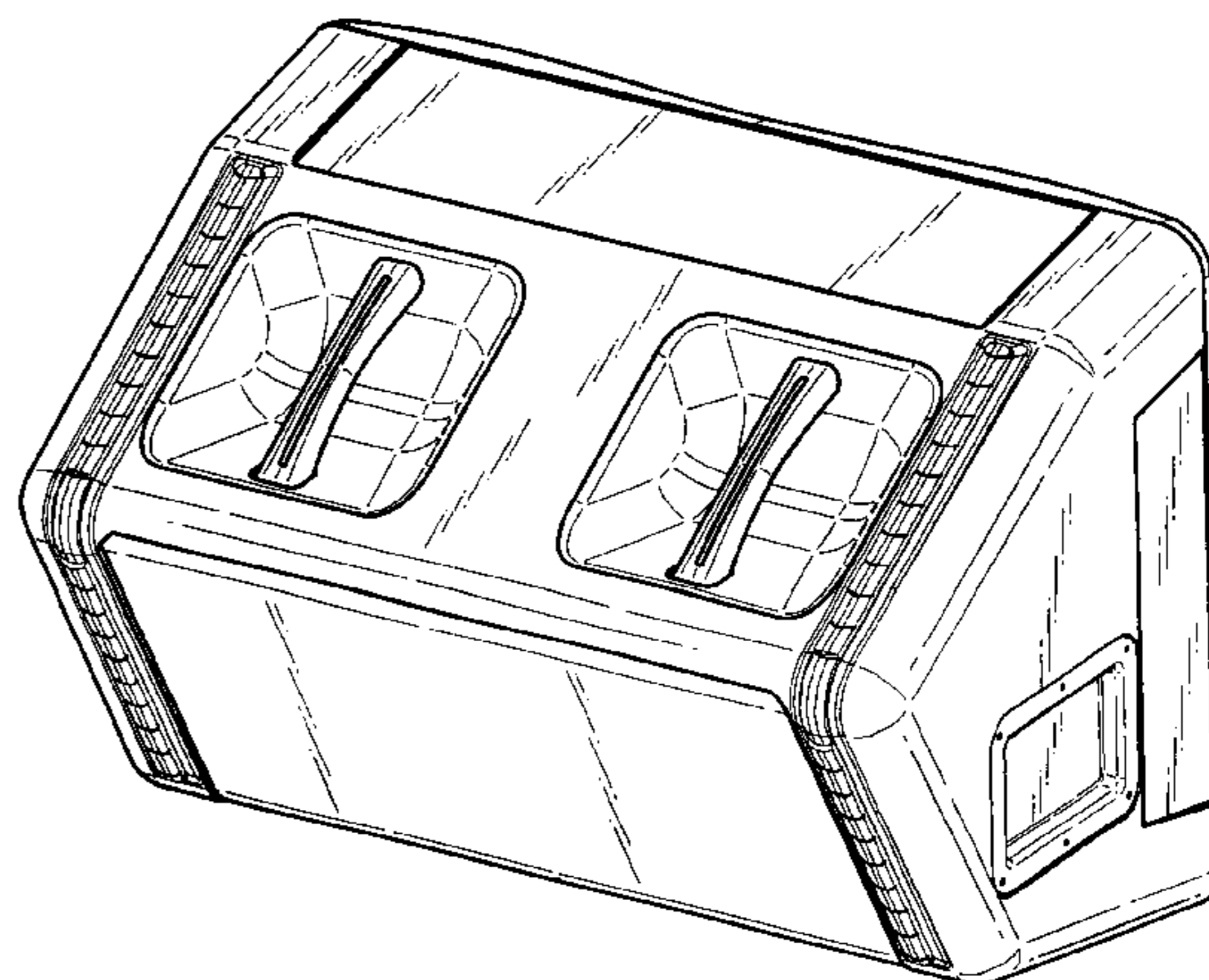
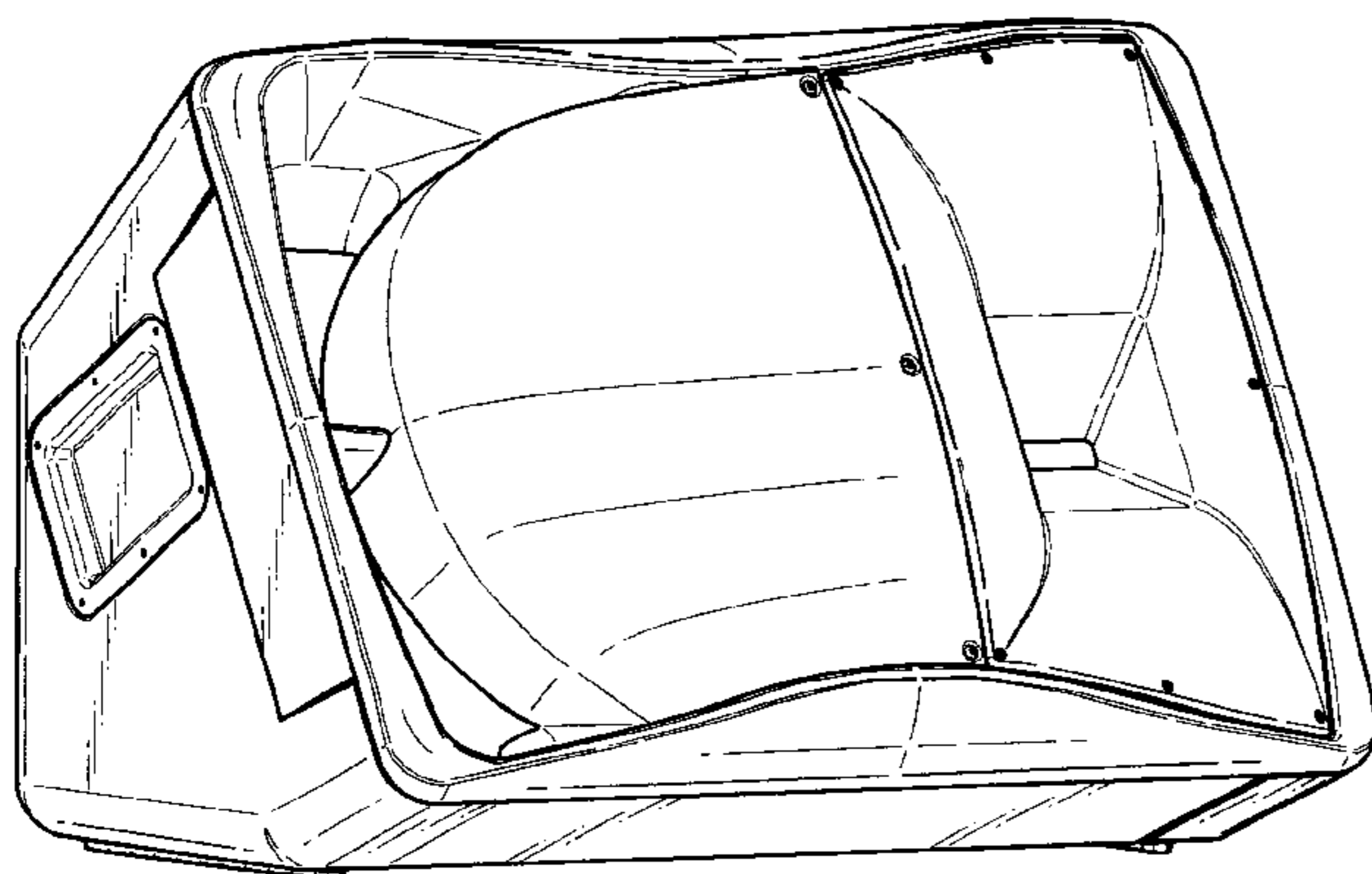
(57) **CLAIM**

The ornamental design for a stage monitor speaker, as shown
and described.

DESCRIPTION

FIG. 1 is a front upper perspective view showing the stage
monitor speaker of Applicants' invention.
FIG. 2 is a front elevation of the stage monitor speaker of
Applicants' invention.
FIG. 3 is a right side elevation of the stage monitor speaker
of Applicants' invention.
FIG. 4 is a left side elevation of the stage monitor speaker
of Applicants' invention.
FIG. 5 is a rear elevation of the stage monitor speaker of
Applicants' invention.
FIG. 6 is a top view of the stage monitor speaker of
Applicants' invention.
FIG. 7 is a bottom view of the stage monitor speaker of
Applicants' invention; and,
FIG. 8 is a rear upper perspective view showing the stage
monitor speaker of Applicants' invention.

1 Claim, 3 Drawing Sheets



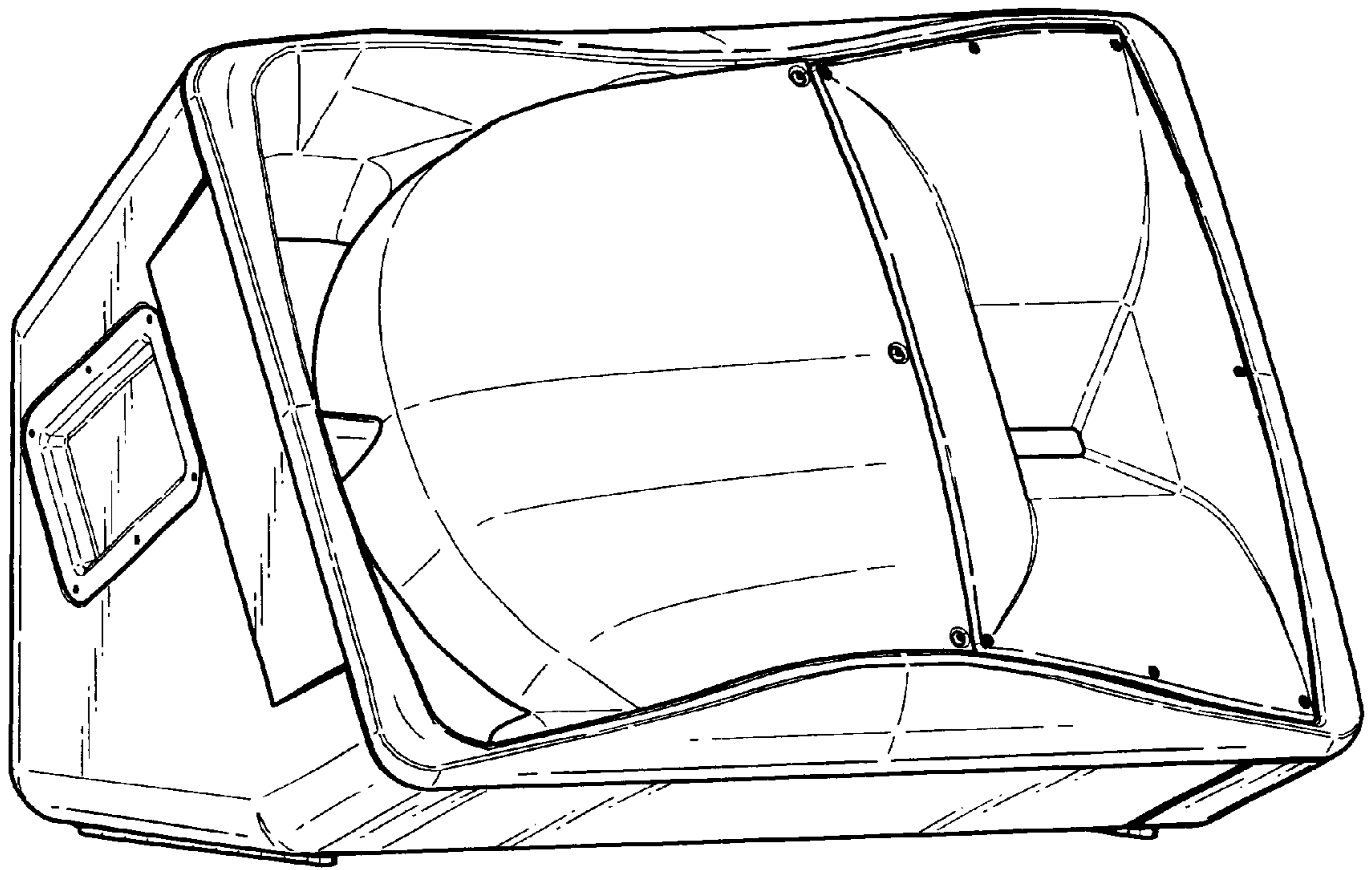


FIG. 1

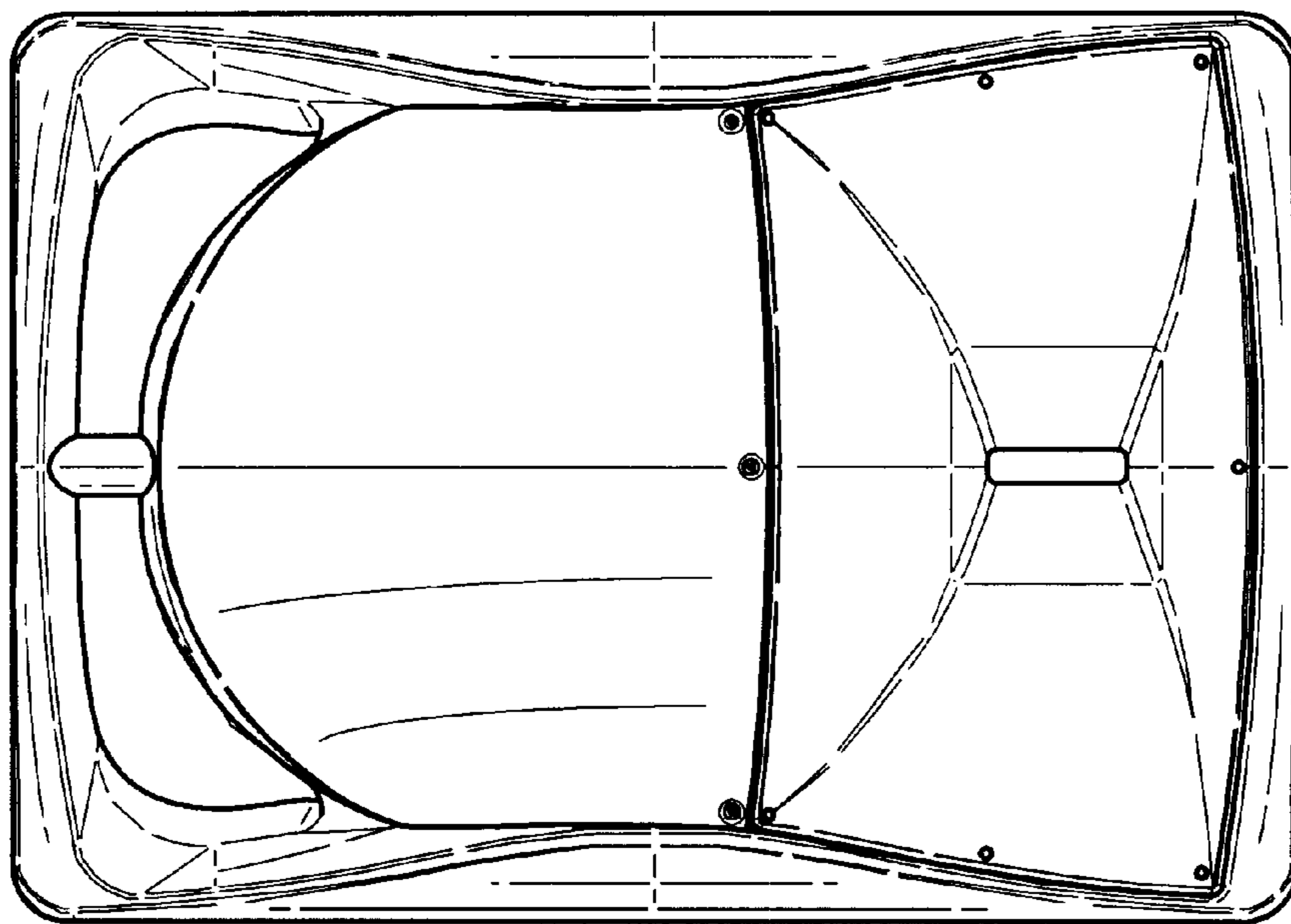


FIG. 2

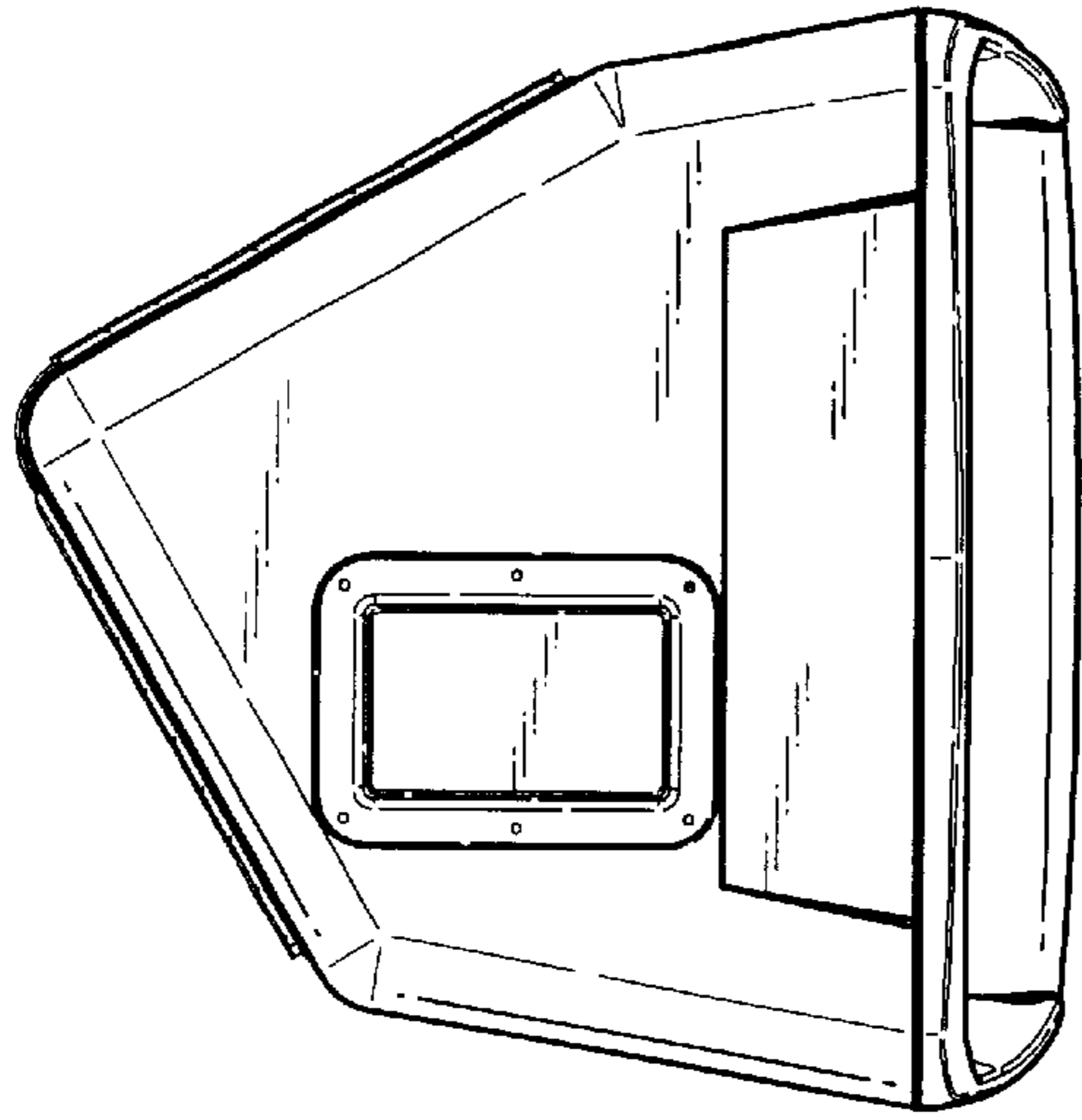


FIG. 4

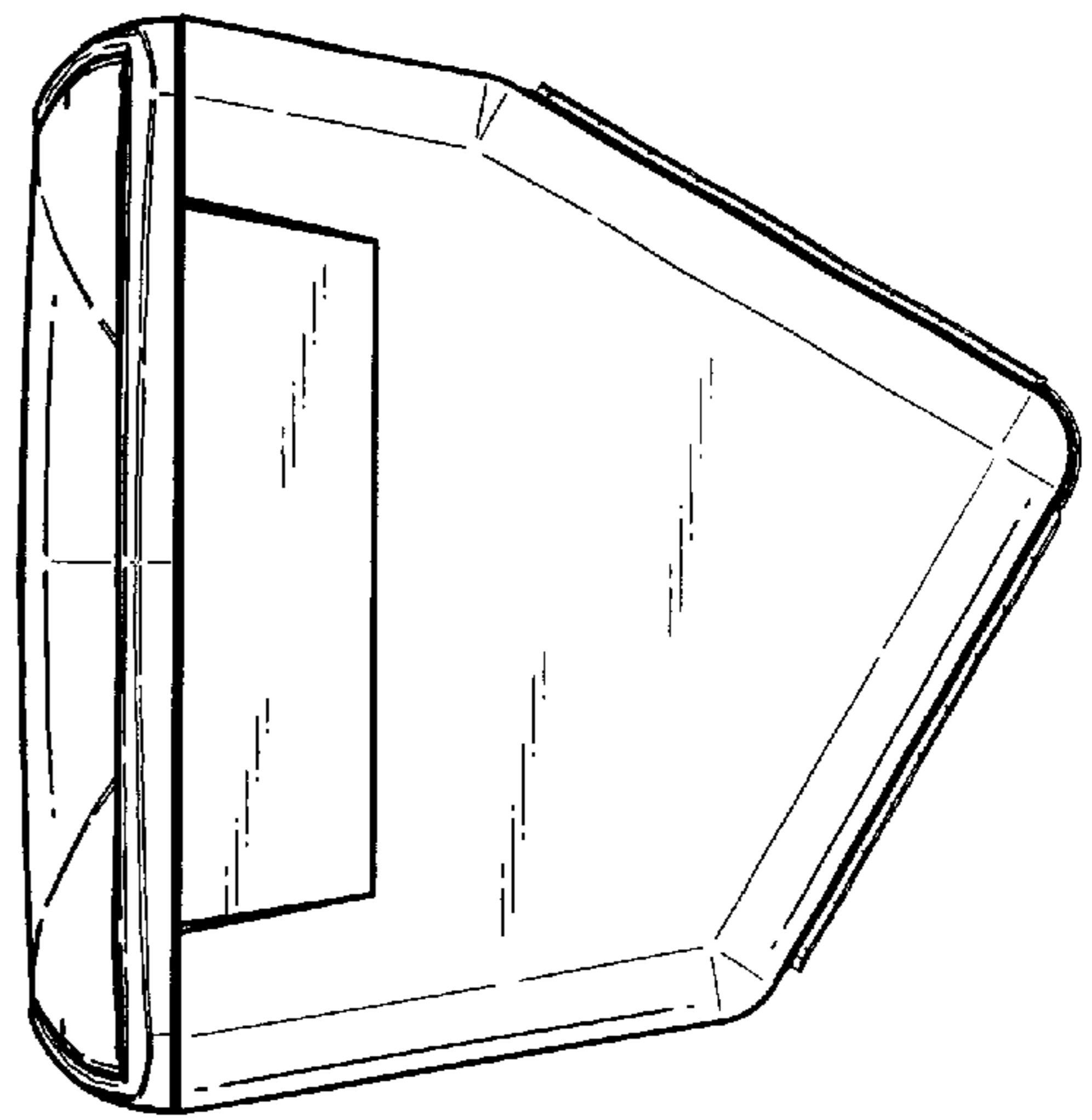


FIG. 3

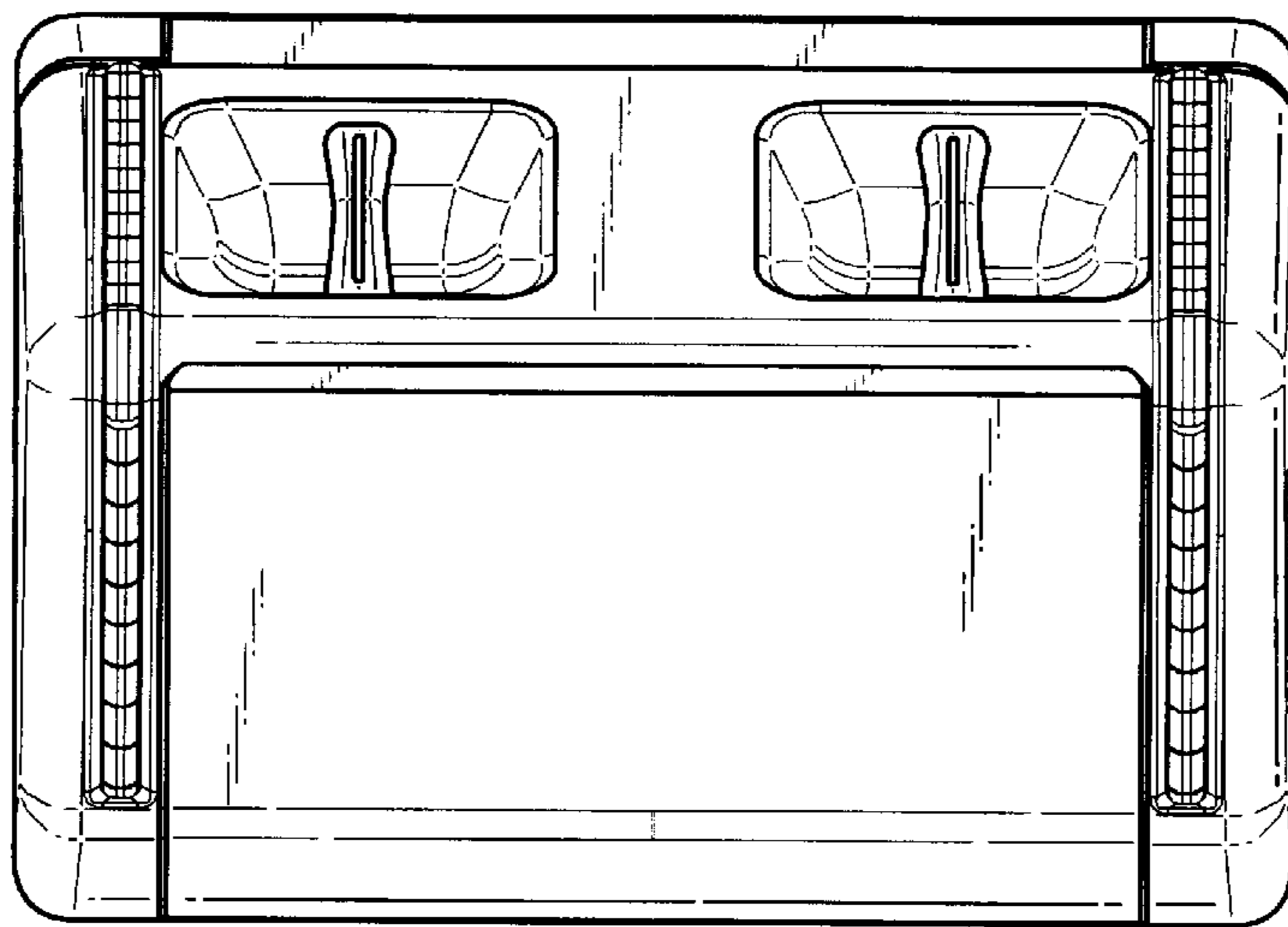


FIG. 5

FIG. 6

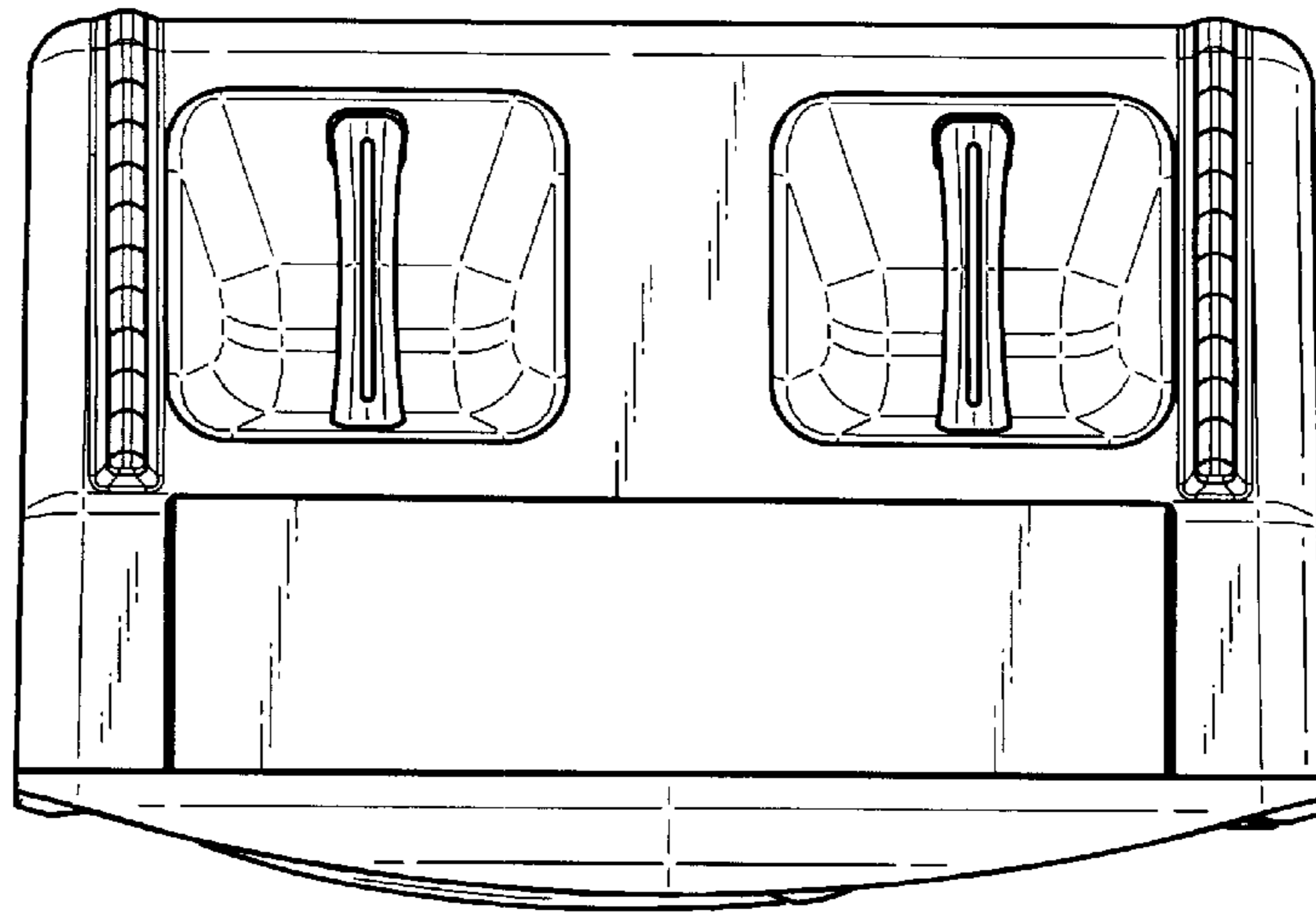


FIG. 7

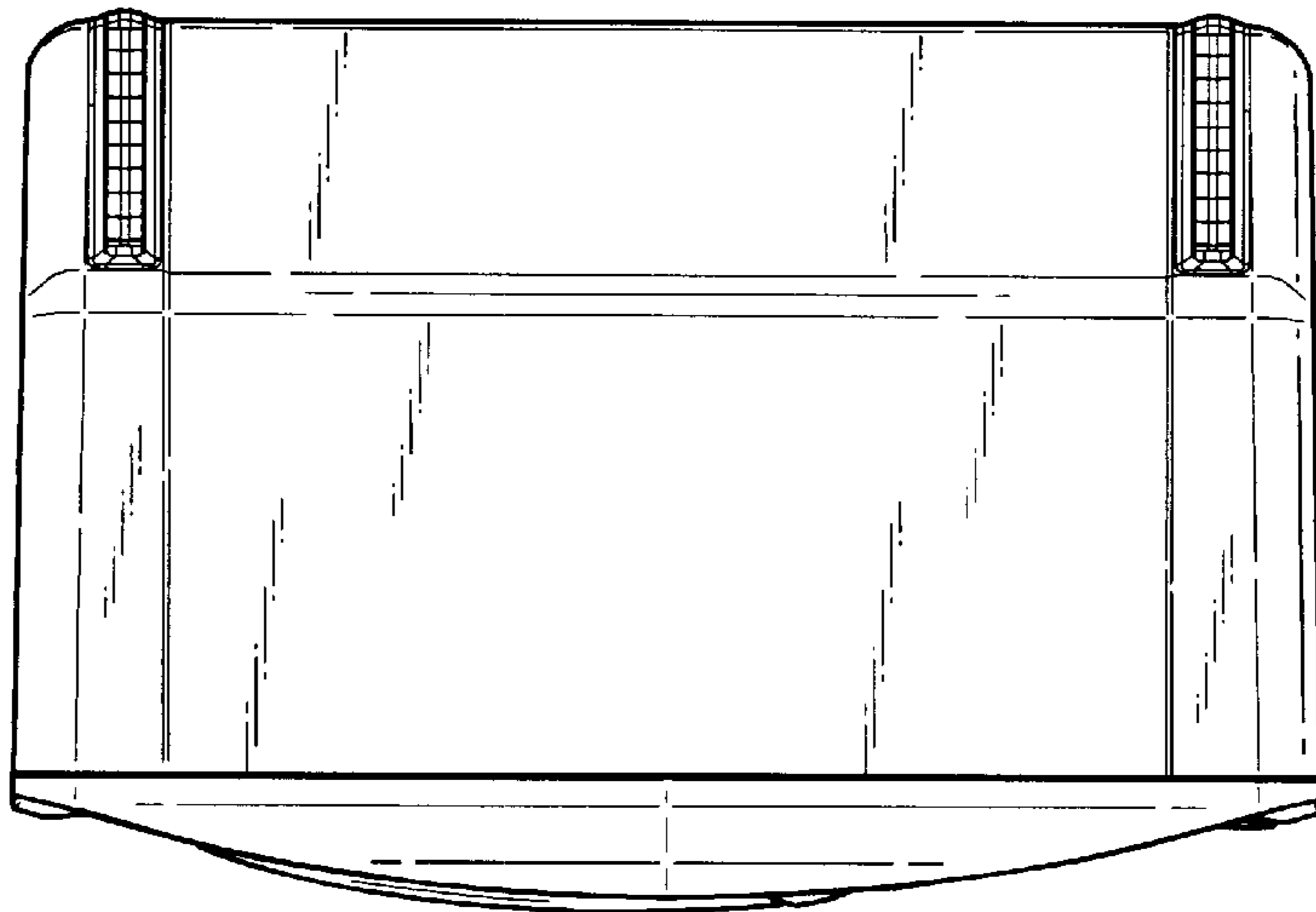


FIG. 8

