



US00D468723S

(12) **United States Design Patent**
Pham et al.

(10) **Patent No.:** **US D468,723 S**
(45) **Date of Patent:** **** Jan. 14, 2003**

(54) **EARPHONE HEADSET**

(75) Inventors: **Hoa Pham**, Woodbury, MN (US);
Jason Lardy, Minneapolis, MN (US)

(73) Assignee: **Telex Communications, Inc.**,
Burnsville, MN (US)

(**) Term: **14 Years**

(21) Appl. No.: **29/154,626**

(22) Filed: **Jan. 24, 2002**

(51) **LOC (7) Cl.** **14-01**

(52) **U.S. Cl.** **D14/205**

(58) **Field of Search** D14/205, 206,
D14/142, 192, 223; 181/129, 130, 135;
379/430, 431; 381/151, 183, 187

(56) **References Cited**

U.S. PATENT DOCUMENTS

5,117,464	A	5/1992	Jones et al.	
5,359,157	A	10/1994	Liu	
D358,391	S	* 5/1995	Isono D14/205
D366,486	S	1/1996	Runquist et al.	

(List continued on next page.)

Primary Examiner—Paula A. Mortimer

(74) *Attorney, Agent, or Firm*—Fredrikson & Byron, P.A.

(57) **CLAIM**

We claim the ornamental design for an earphone headset, as shown and described.

DESCRIPTION

FIG. 1 is a perspective view of an earphone headset of the design as seen from the front and one side with the boom and the connection wiring shown in dotted lines that form no part of the claimed invention;

FIG. 2 is a front elevation view thereof with the boom and connection wiring shown in dotted lines that form no part of the claimed invention;

FIG. 3 is a rear elevation view thereof with the boom and connection wiring shown in dotted lines that form no part of the claimed invention;

FIG. 4 is a side elevation view as seen from left to right of the view shown in FIG. 2 with the boom and connection wiring shown in dotted lines that form no part of the claimed invention;

FIG. 5 is a side elevation view as seen from right to left of the view shown in FIG. 2 with the boom and connection wiring shown in dotted lines that form no part of the claimed invention;

FIG. 6 is a top plan view thereof with the boom and connection wiring shown in dotted lines that form no part of the claimed invention;

FIG. 7 is a bottom plan view thereof with the boom and connection wiring shown in dotted lines that form no part of the claimed invention;

FIG. 8 is a perspective view of a modified embodiment of the earphone headset of the design as seen from the front and one side with boom and the connection wiring shown in dotted lines that form no part of the claimed invention;

FIG. 9 is a front elevation view thereof with the boom and connection wiring shown in dotted lines that form no part of the claimed invention;

FIG. 10 is a rear elevation view thereof with the boom and connection wiring shown in dotted lines that form no part of the claimed invention;

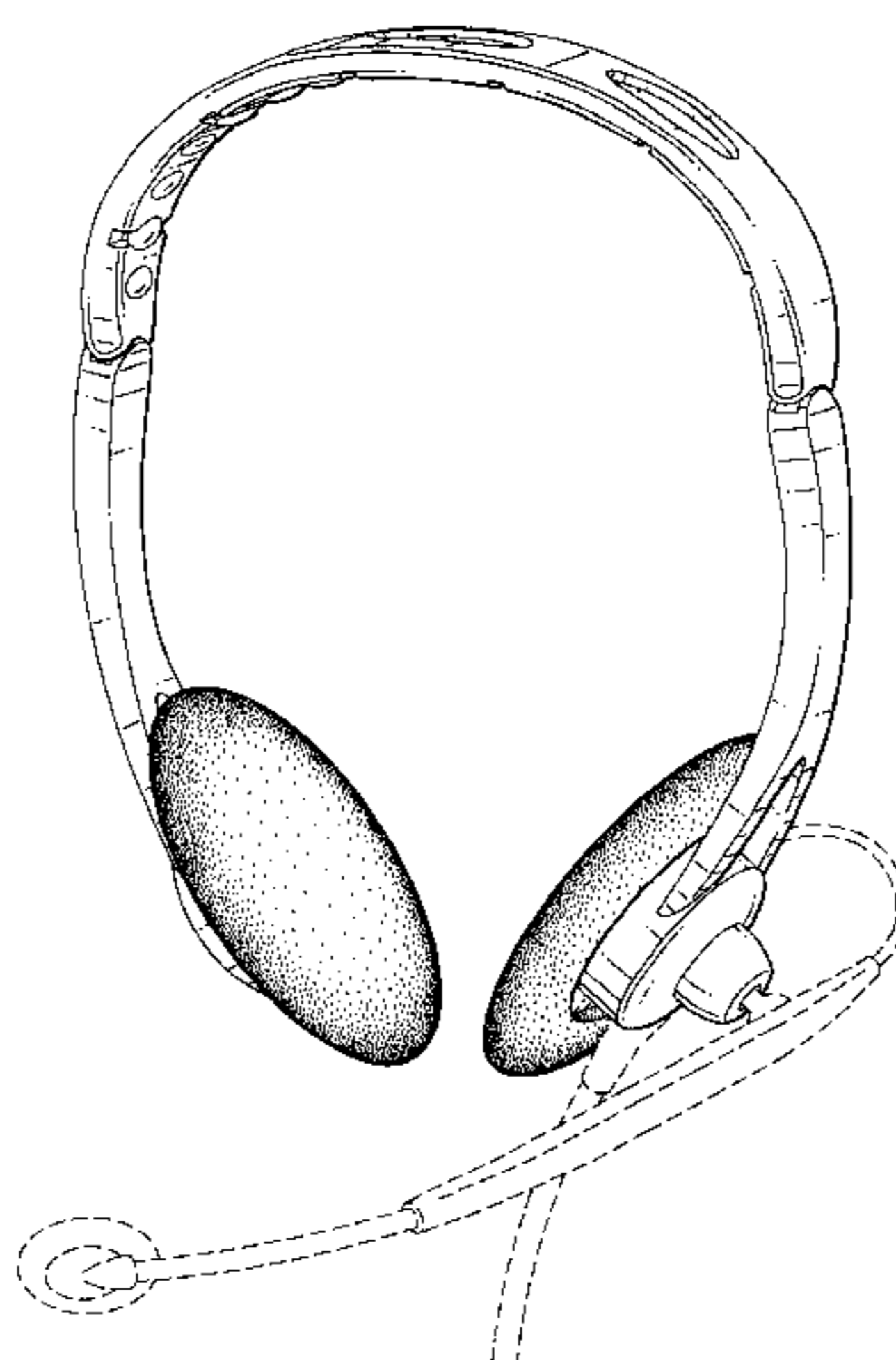
FIG. 11 is a side elevation view as seen from left to right of the view shown in FIG. 2 with the boom and connection wiring shown in dotted lines that form no part of the claimed invention;

FIG. 12 is a side elevation view as seen from right to left of the view shown in FIG. 2 with the boom and connection wiring shown in dotted lines that form no part of the claimed invention;

FIG. 13 is a top plan view thereof with the boom and connection wiring shown in dotted lines that form no part of the claimed invention; and,

FIG. 14 is a bottom plan view thereof with the boom and connection wiring shown in dotted lines that form no part of the claimed invention.

1 Claim, 14 Drawing Sheets



US D468,723 S

Page 2

U.S. PATENT DOCUMENTS					
D375,313 S	11/1996	Jensen et al.	D443,870 S	6/2001	Carpenter et al.
D394,437 S	5/1998	Landreth et al.	D448,751 S	10/2001	Pham et al.
5,793,865 A	8/1998	Leifer	D449,038 S	10/2001	Andreini et al.
5,793,878 A	8/1998	Chang	D449,289 S	* 10/2001	Weikel et al. D14/206
D404,734 S	1/1999	Andrea	D458,246 S	* 6/2002	Davies et al. D14/206
D423,012 S	* 4/2000	Yasutomi D14/205	D458,248 S	* 6/2002	Davies et al. D14/206

* cited by examiner

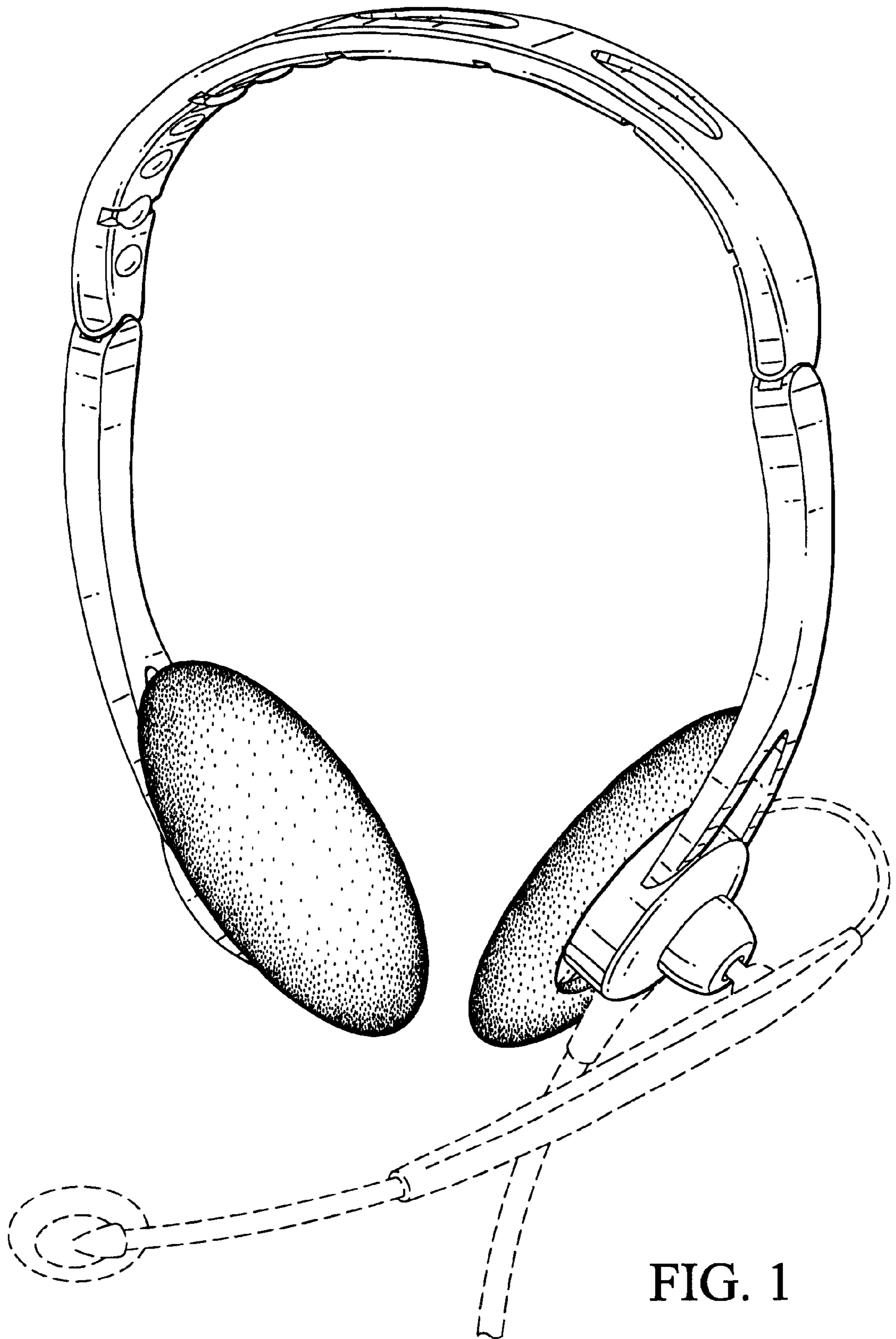


FIG. 1

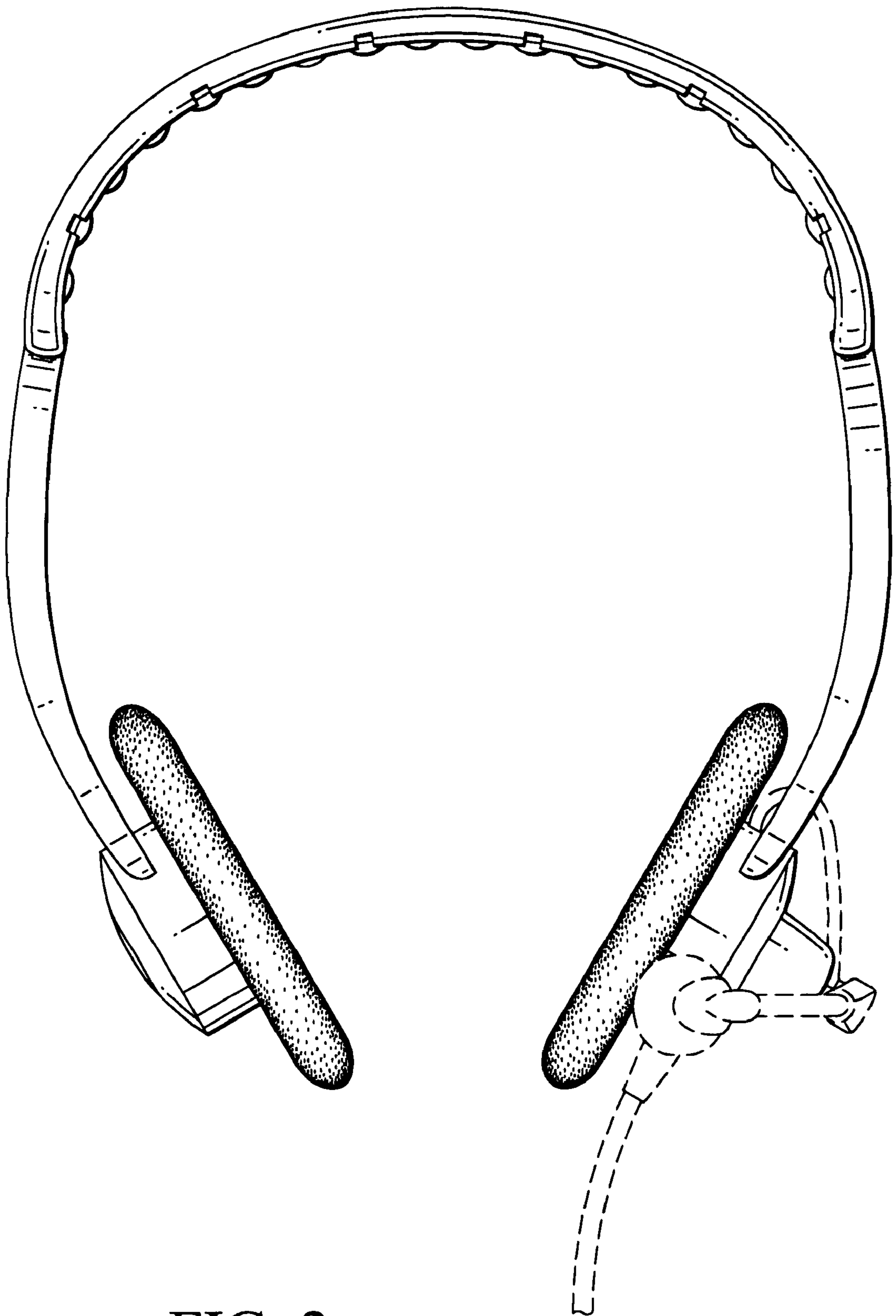


FIG. 2

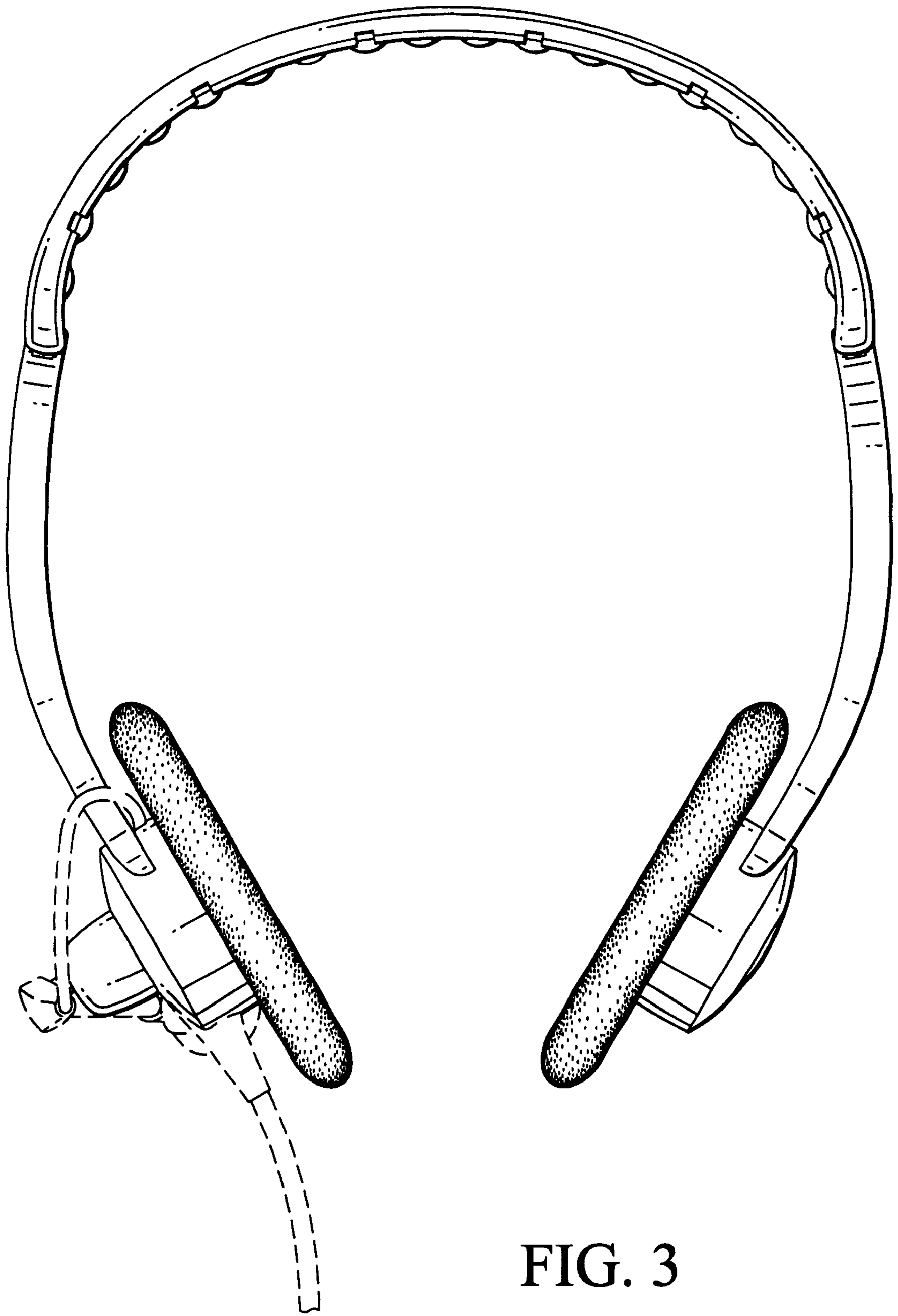


FIG. 3

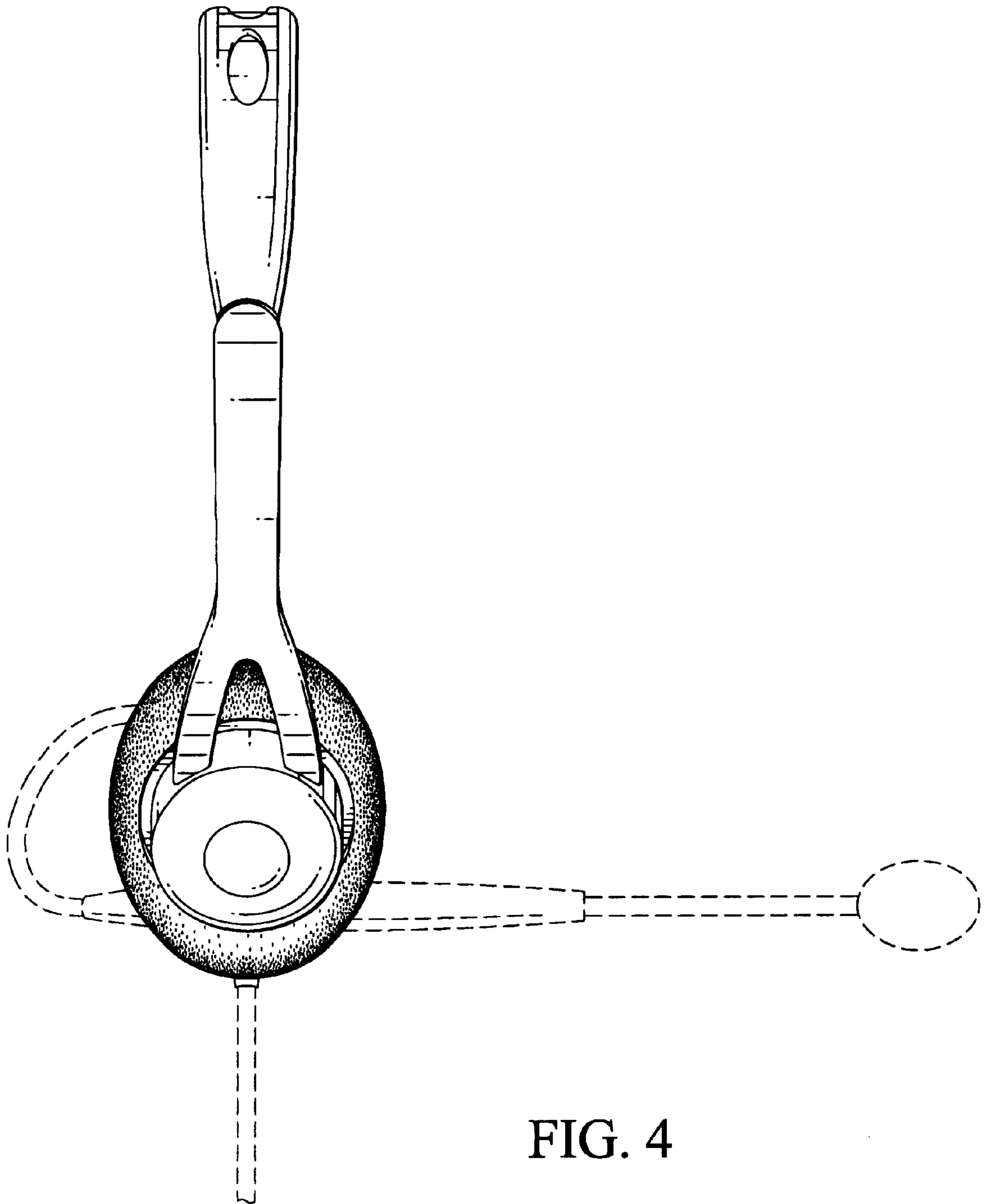


FIG. 4

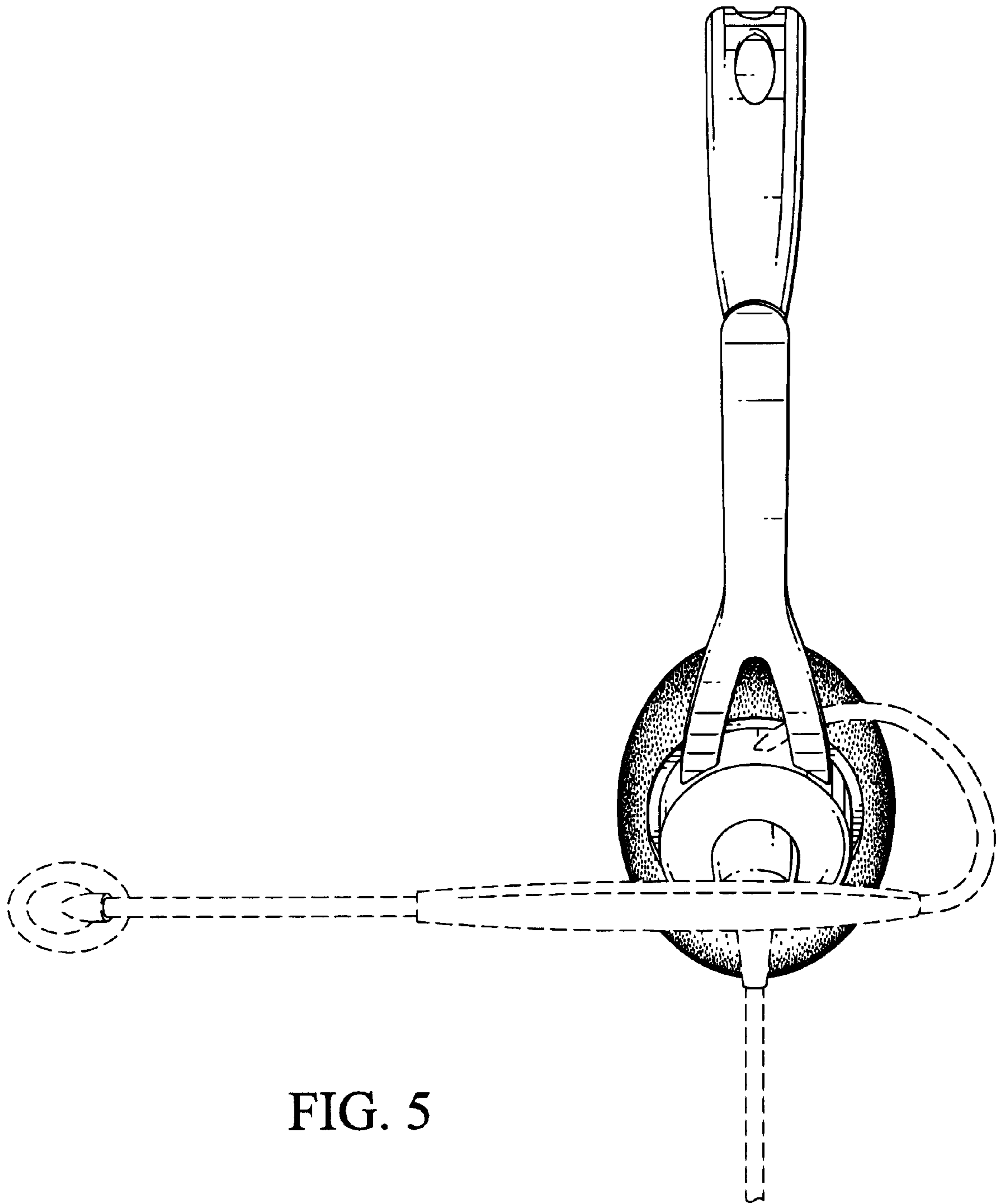


FIG. 5

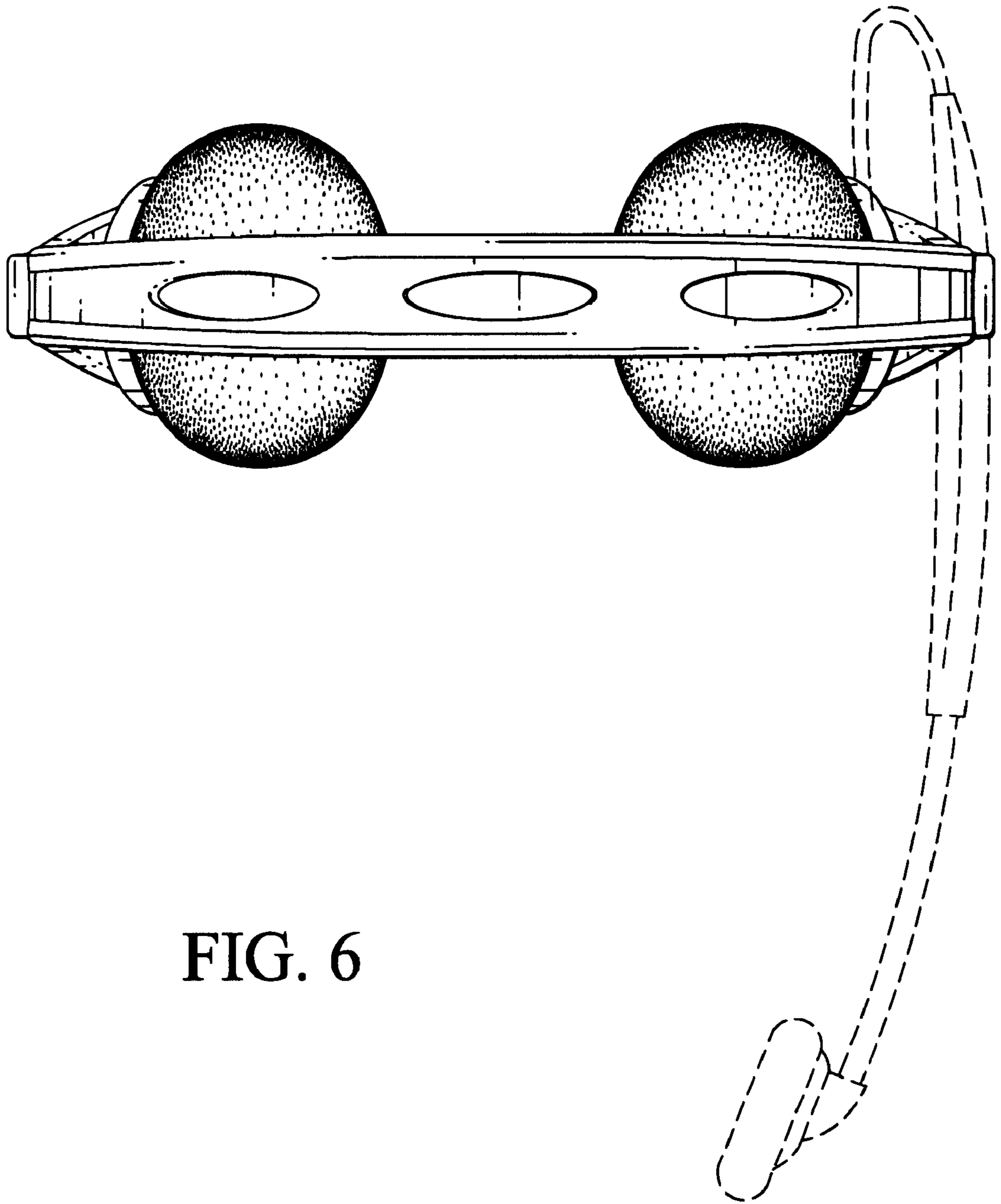


FIG. 6

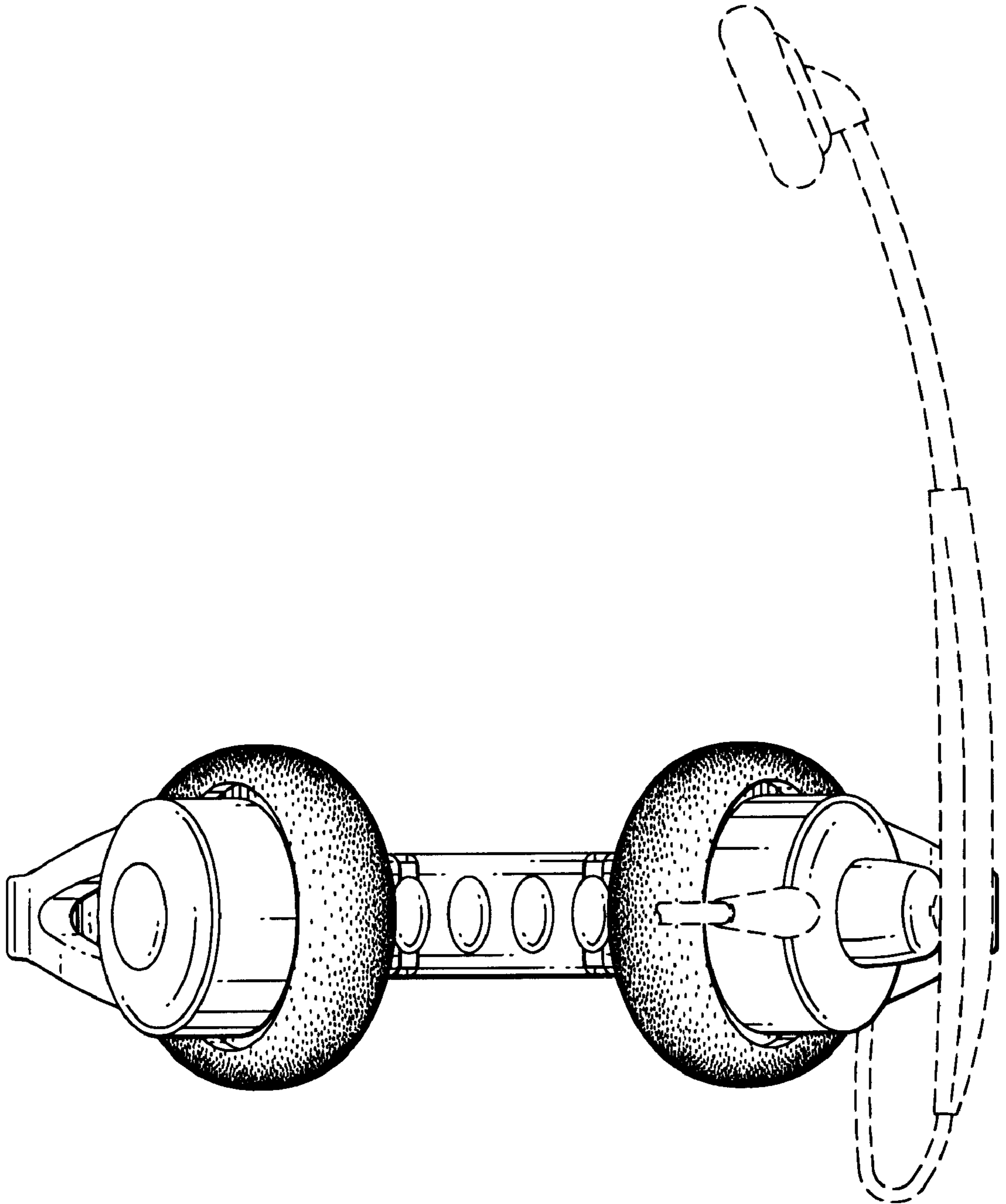


FIG. 7

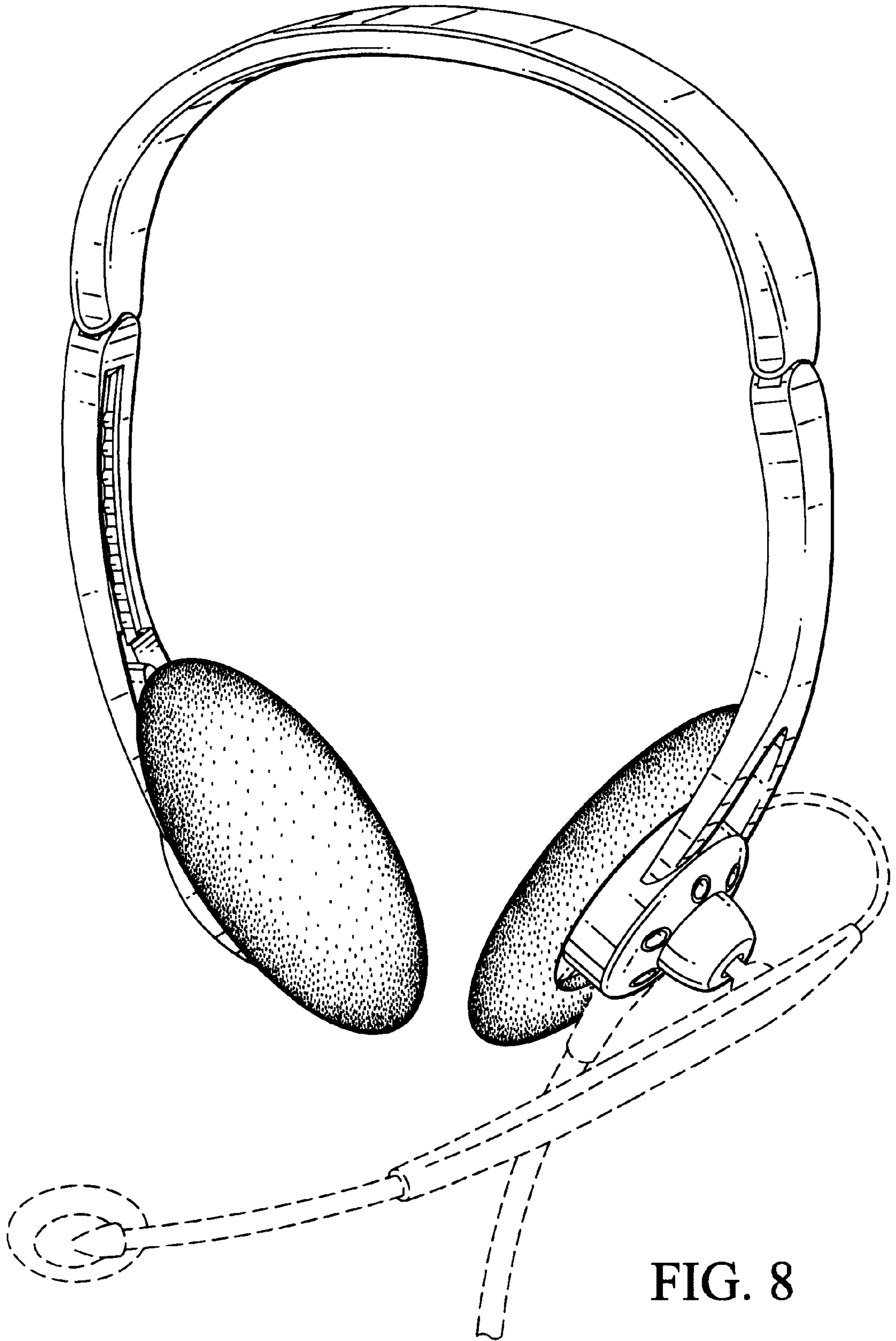


FIG. 8

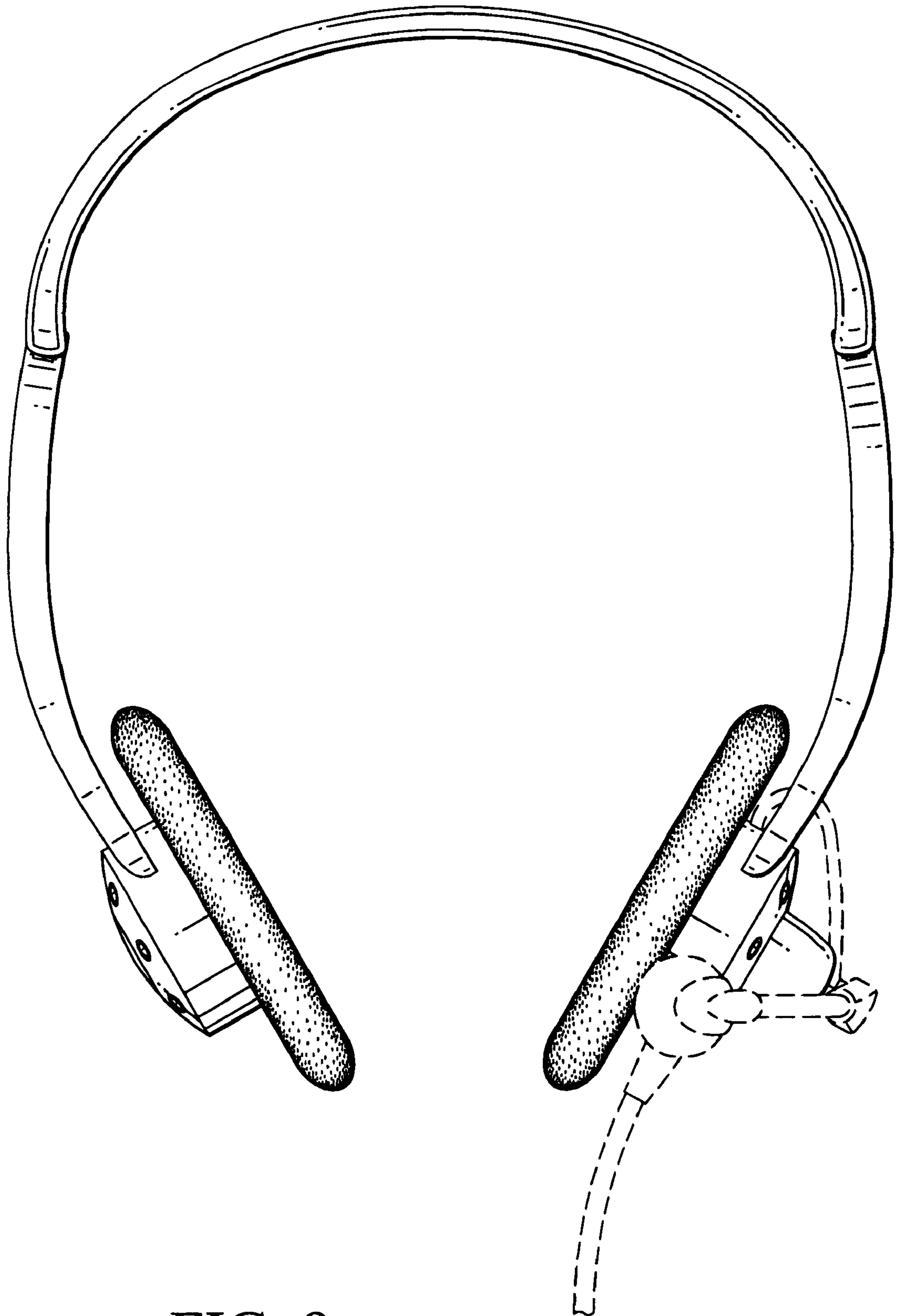


FIG. 9

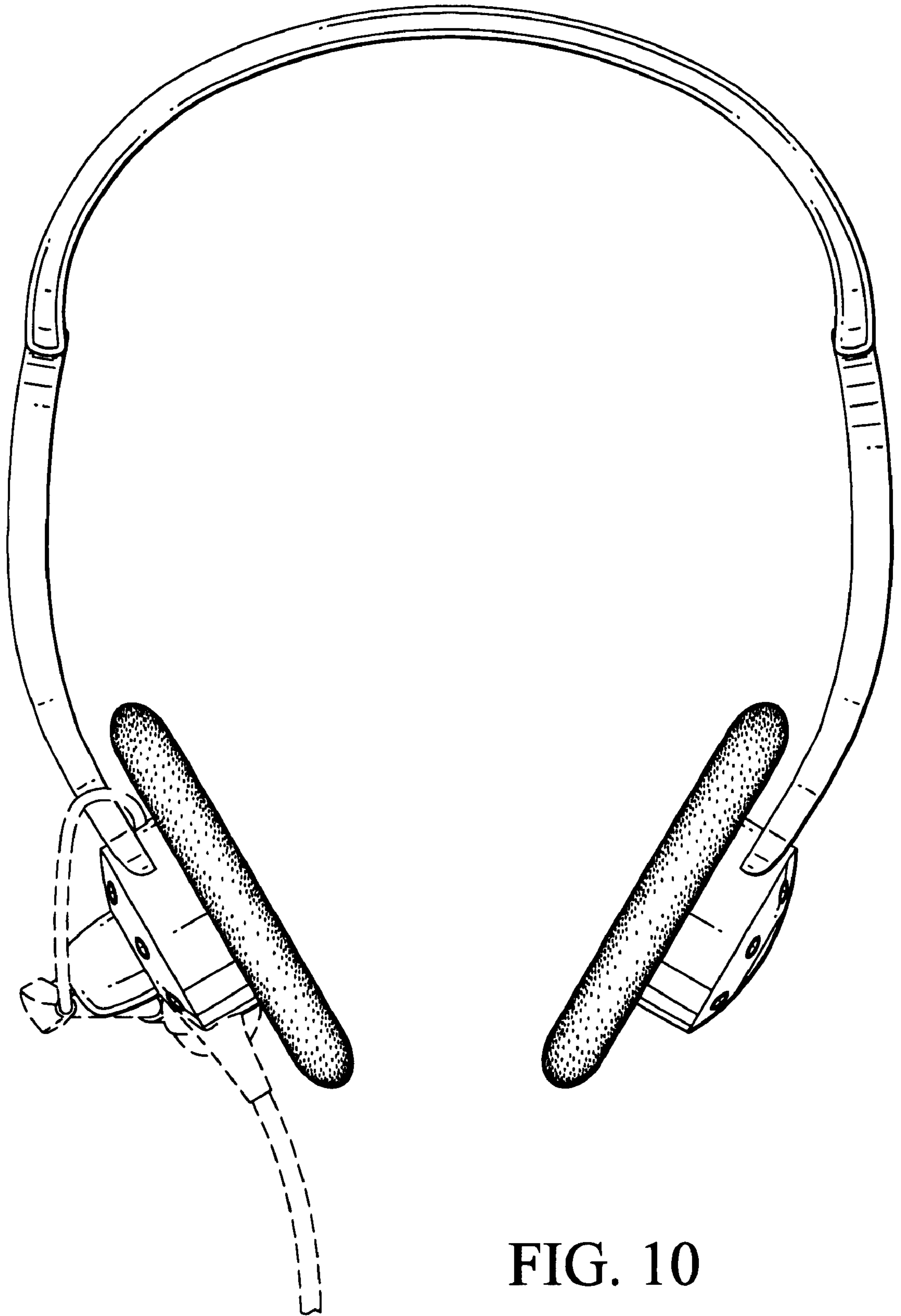


FIG. 10

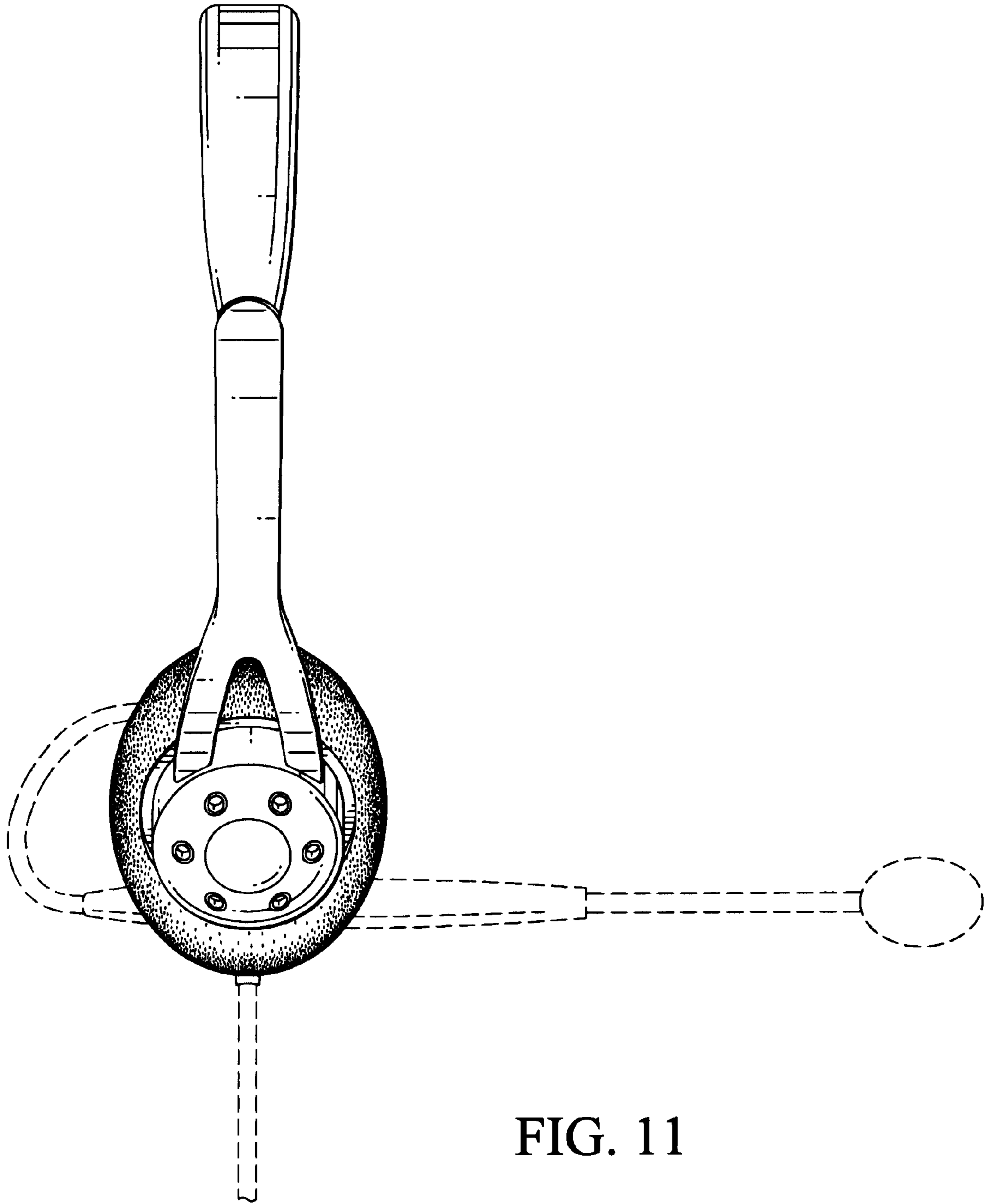


FIG. 11

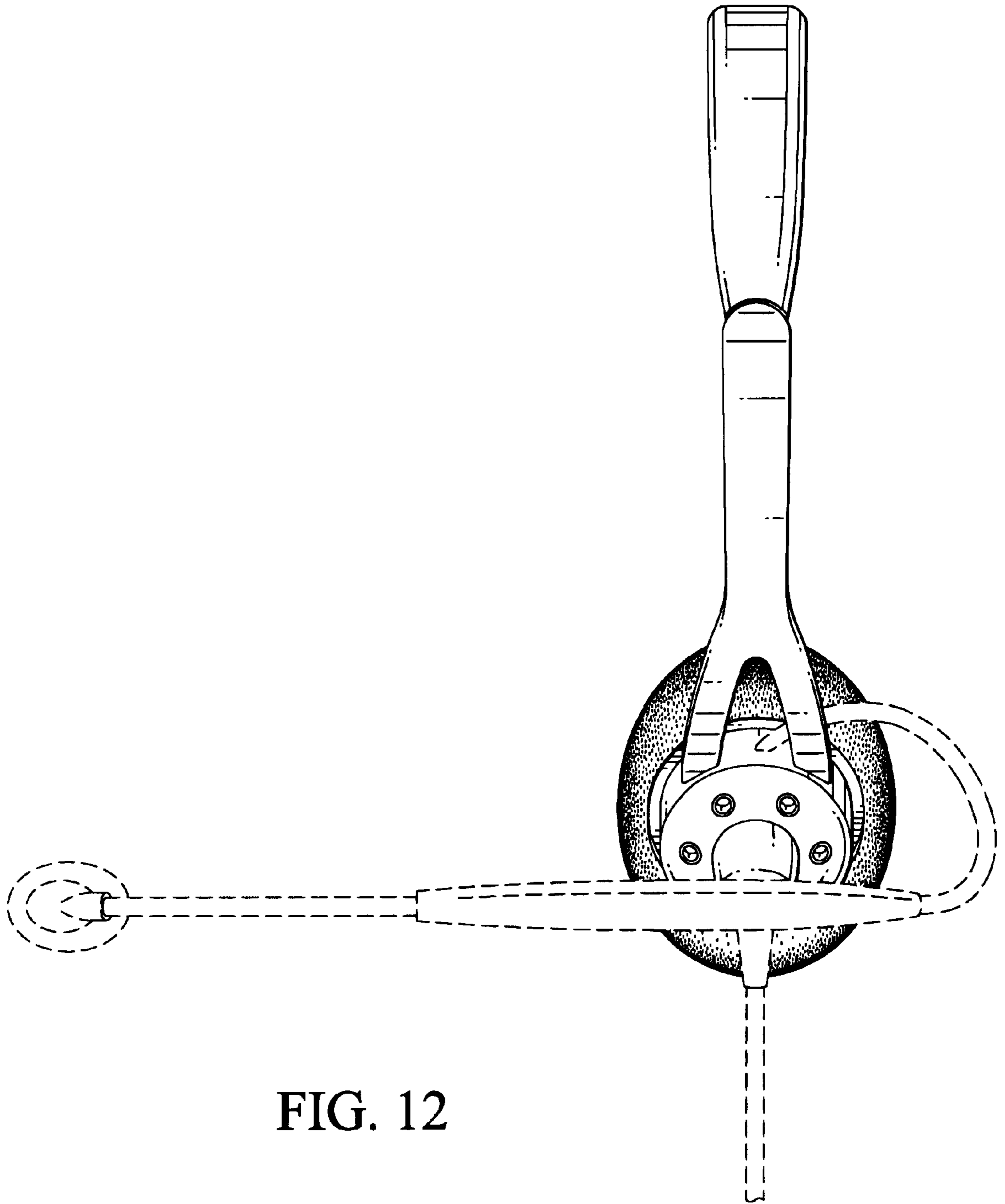


FIG. 12

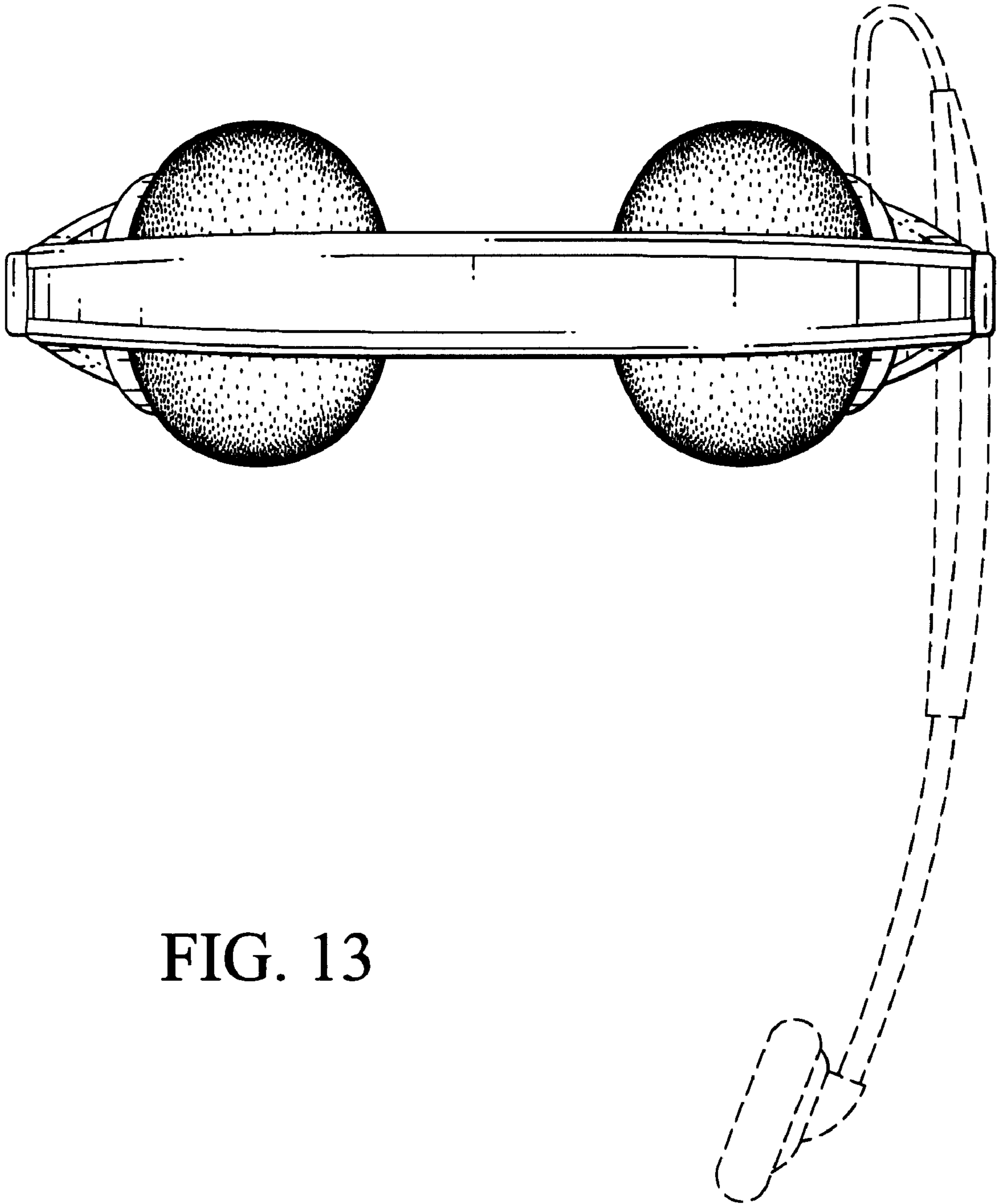


FIG. 13

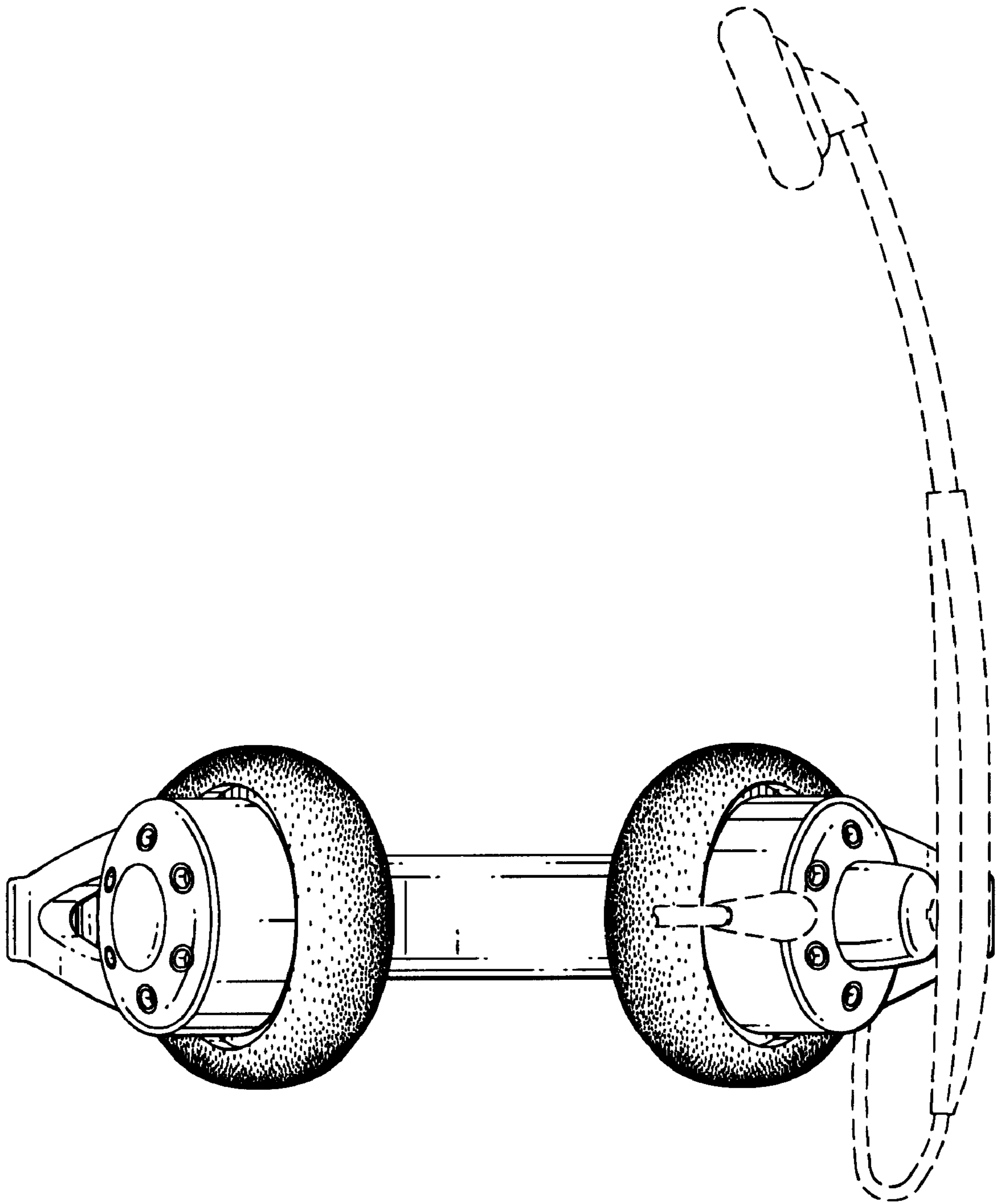


FIG. 14