



US00D468718S

(12) **United States Design Patent**
Cuvelier

(10) **Patent No.:** **US D468,718 S**

(45) **Date of Patent:** **** Jan. 14, 2003**

(54) **HOME AUDIO SYSTEM**

(75) **Inventor:** **Jean Paul Cuvelier, The Peak (HK)**

(73) **Assignee:** **Alfa Technology Limited, North Point (HK)**

(**) **Term:** **14 Years**

(21) **Appl. No.:** **29/152,771**

(22) **Filed:** **Dec. 28, 2001**

(51) **LOC (7) Cl. 14-01**

(52) **U.S. Cl. D14/168**

(58) **Field of Search D14/135-136, D14/156-157, 160-165, 167-168, 188, 193-198; 369/75.1, 75.2, 77.1, 77.2; 381/86, 120; 455/344, 346-351**

(56) **References Cited**

U.S. PATENT DOCUMENTS

D327,682 S	*	7/1992	Shimazu	D14/188
5,146,618 A	*	9/1992	Wenner	455/345
D339,345 S	*	9/1993	Fuke	D14/163
D365,822 S		1/1996	Ito et al.		
D381,658 S		7/1997	Ito et al.		
D389,147 S		1/1998	Ito et al.		
D409,611 S		5/1999	Ito et al.		
D414,184 S		9/1999	Ito et al.		
D415,155 S		10/1999	Kokkinis		
D423,499 S		4/2000	Ito et al.		
D425,891 S		5/2000	Matsuoka		

D425,892 S	5/2000	Ito et al.	
D430,553 S	9/2000	Kokkinis	
D431,238 S	9/2000	Ito et al.	
D432,113 S	10/2000	Kokkinis	
D434,024 S	* 11/2000	Zeitman D14/168
D443,868 S	6/2001	Ito et al.	

FOREIGN PATENT DOCUMENTS

HK	0110081.3	5/2001
HK	0110080.1	7/2001

* cited by examiner

Primary Examiner—Nanda Bondade

(74) *Attorney, Agent, or Firm*—Thompson & Knight LLP; Robert C. Hilton

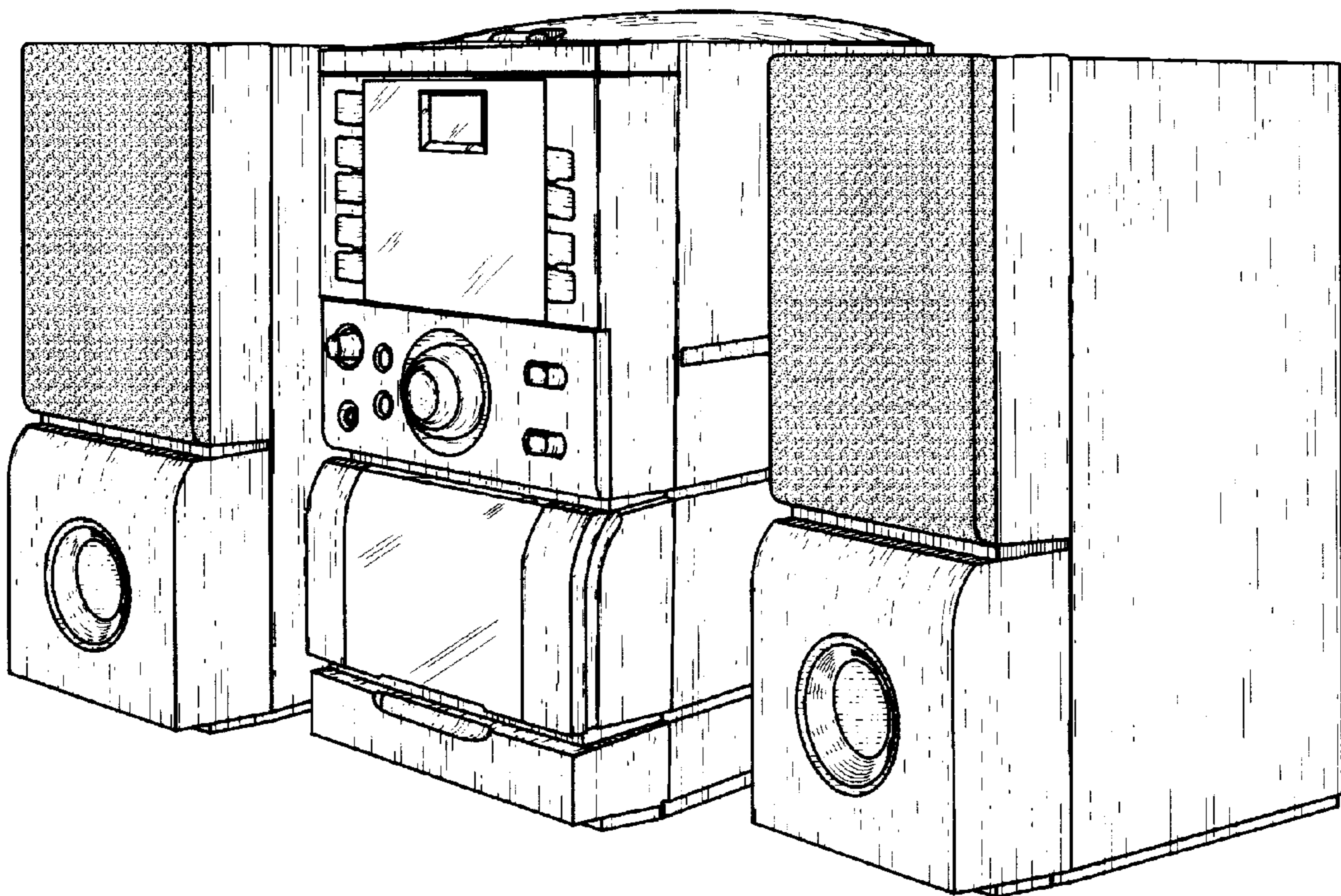
(57) **CLAIM**

The ornamental design for a home audio system, as shown and described.

DESCRIPTION

FIG. 1 is a front and left perspective view of the claimed invention;
FIG. 2 is a front view of the claimed invention;
FIG. 3 is a rear view of the claimed invention;
FIG. 4 is a top side view of the claimed invention;
FIG. 5 is a bottom side view of the claimed invention;
FIG. 6 is a left view of the claimed invention; and,
FIG. 7 is a right view of the claimed invention.

1 Claim, 4 Drawing Sheets



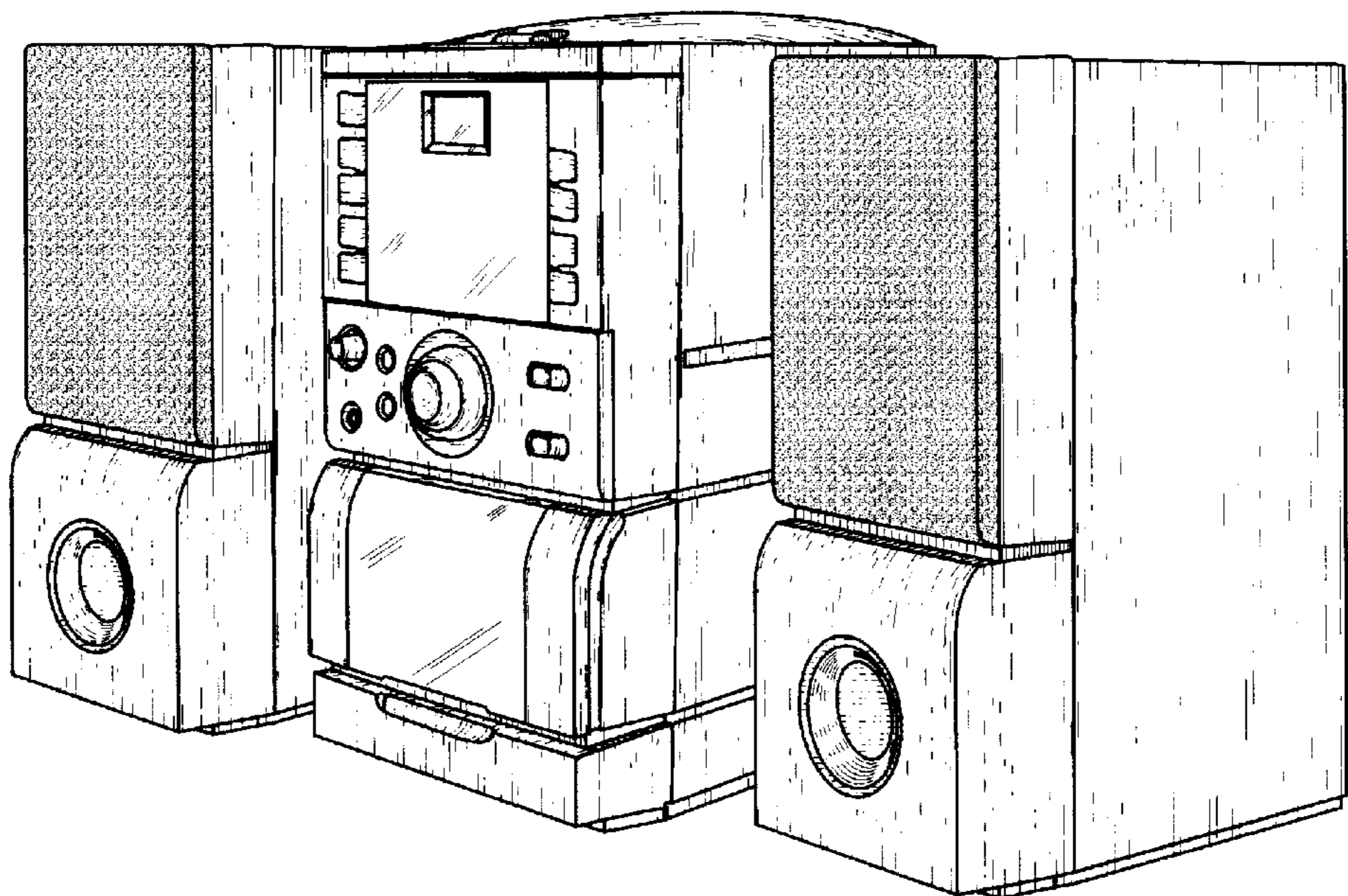


FIG. 1

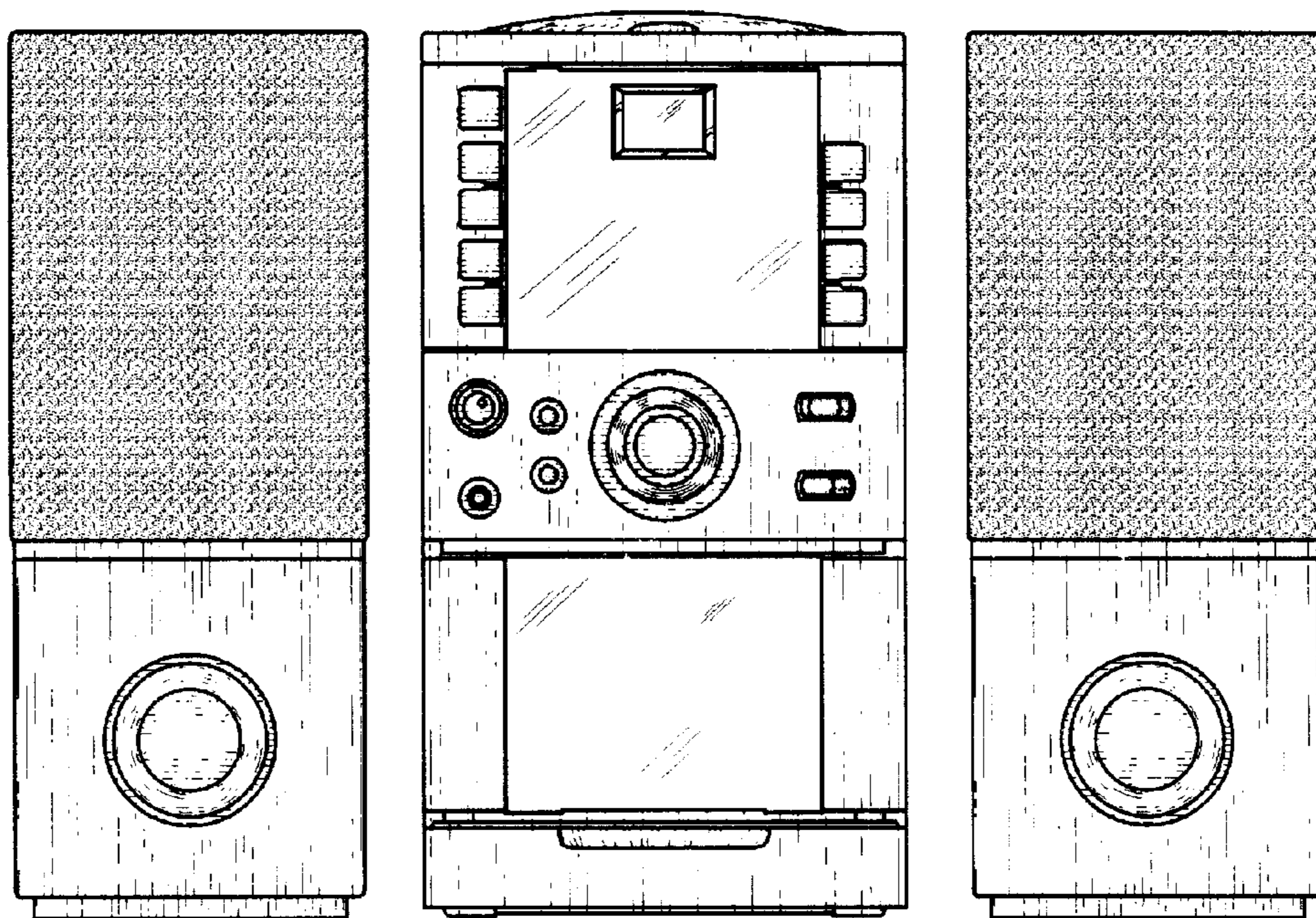


FIG. 2

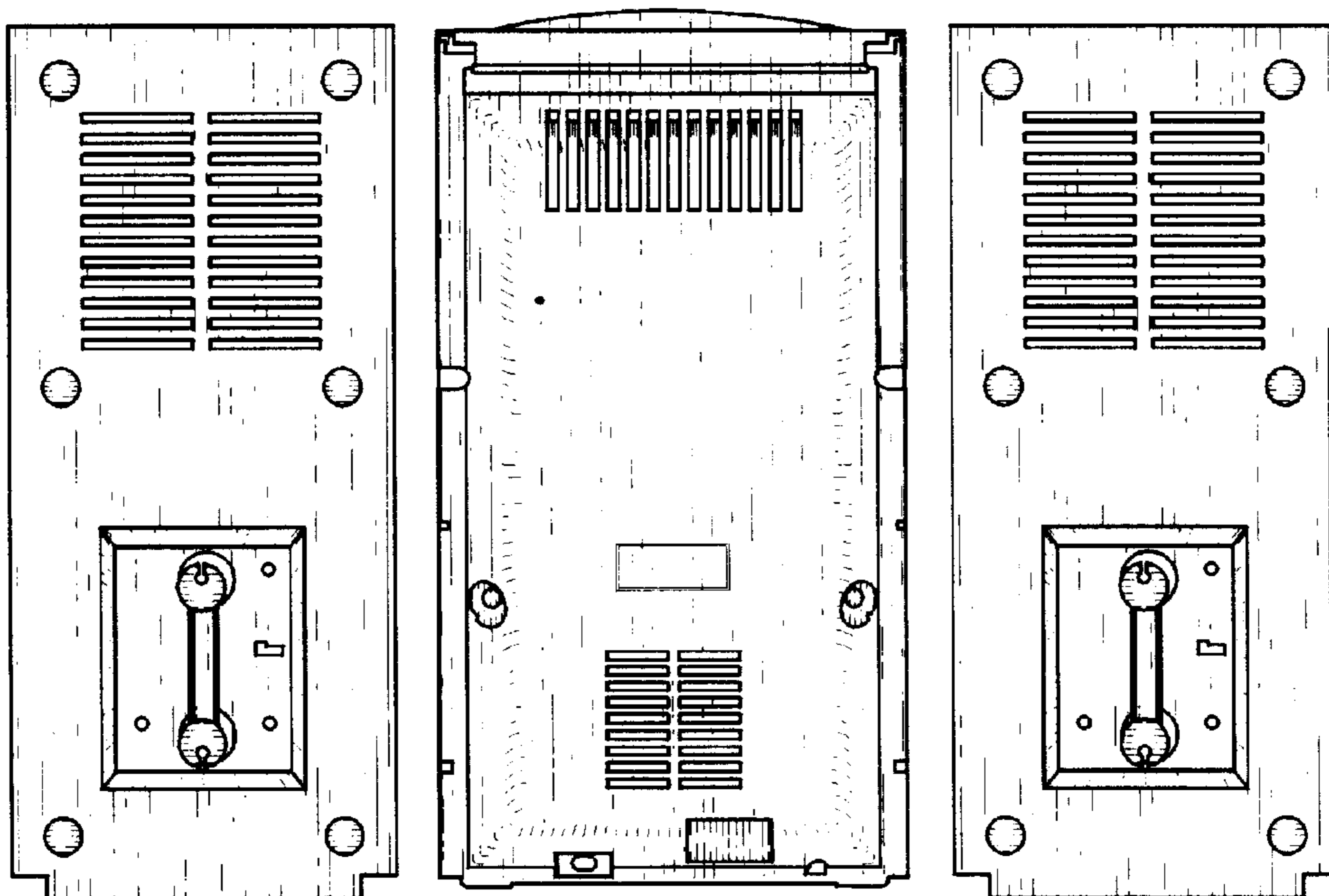


FIG. 3

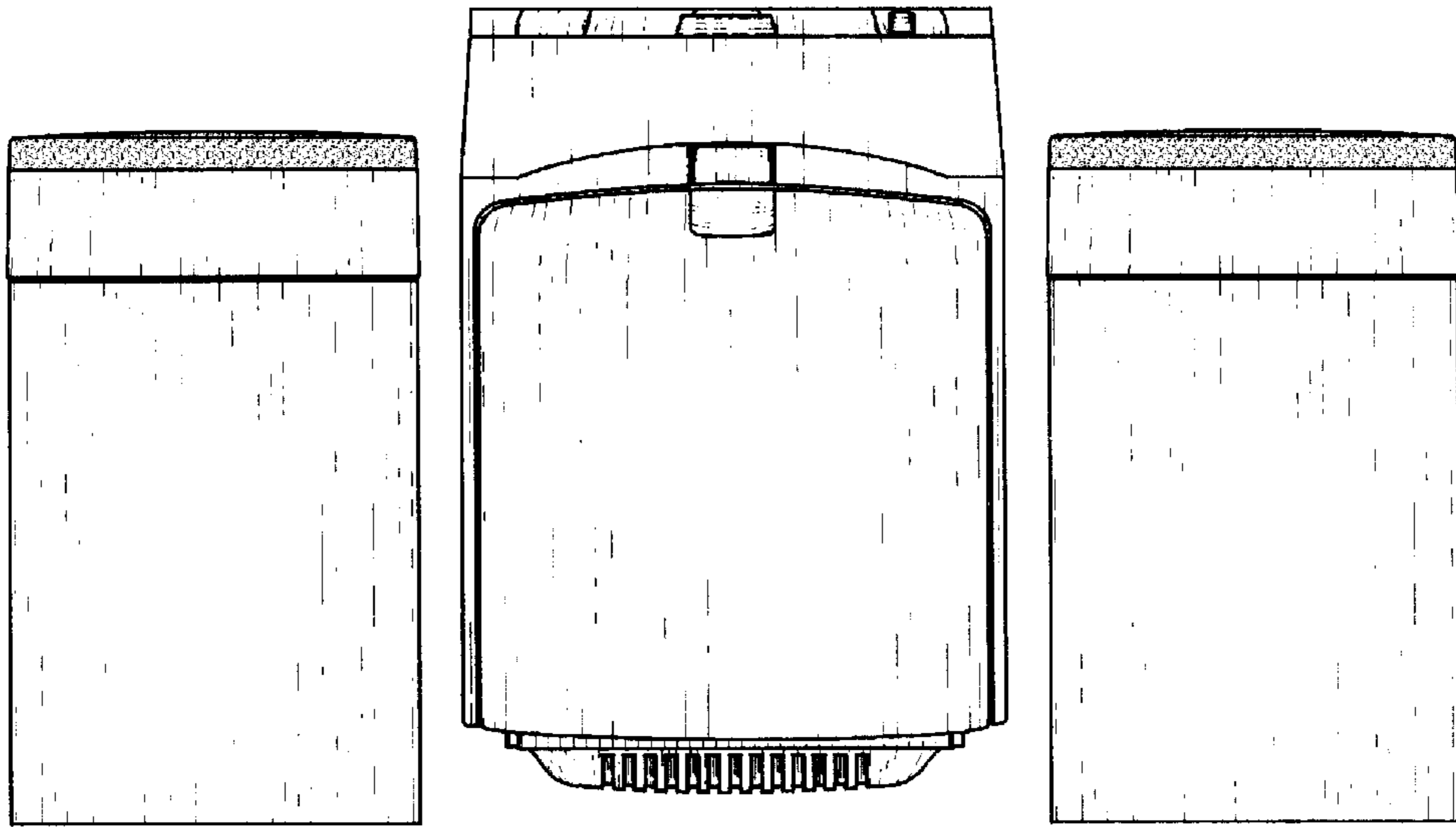


FIG. 4

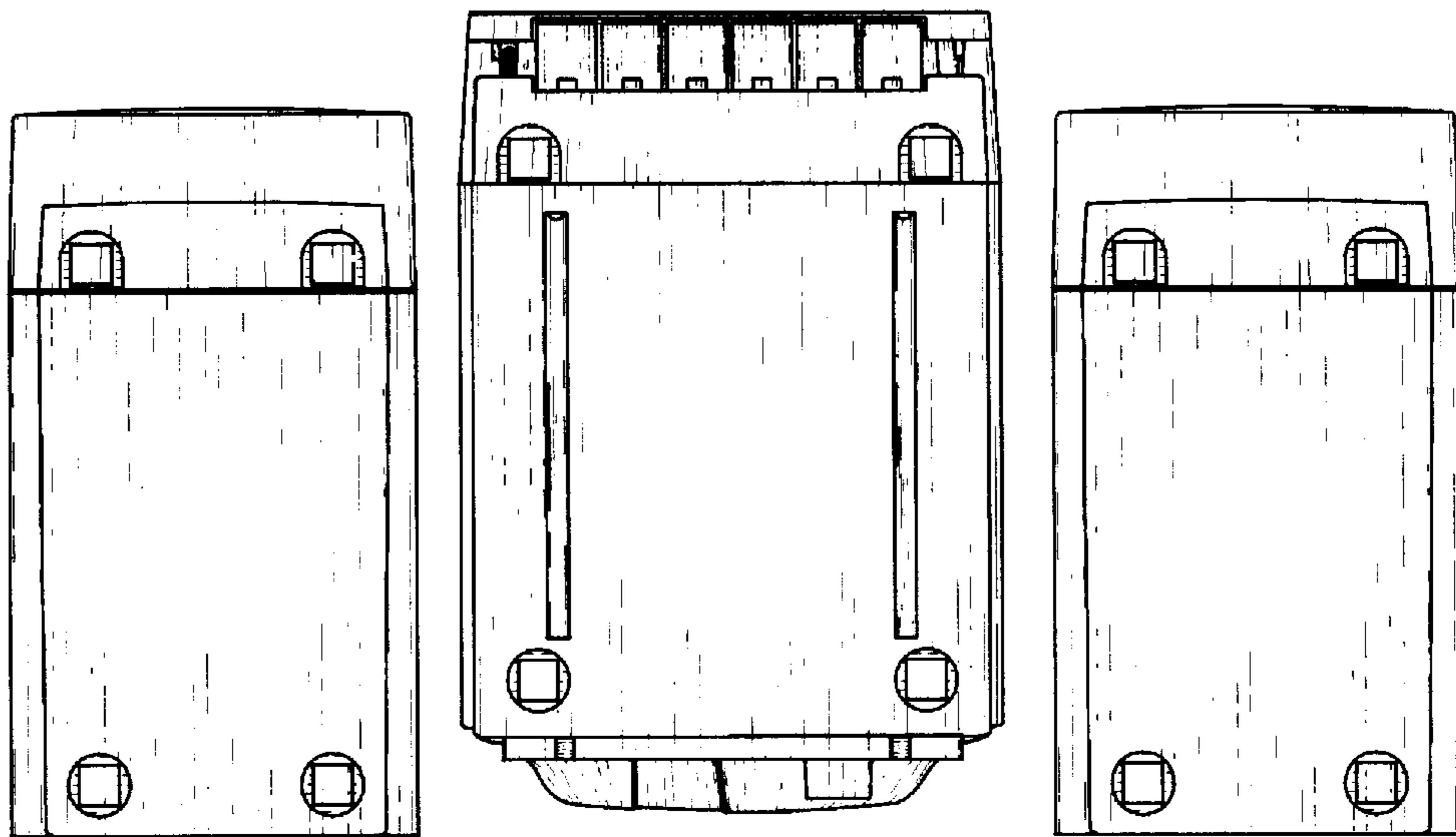


FIG. 5

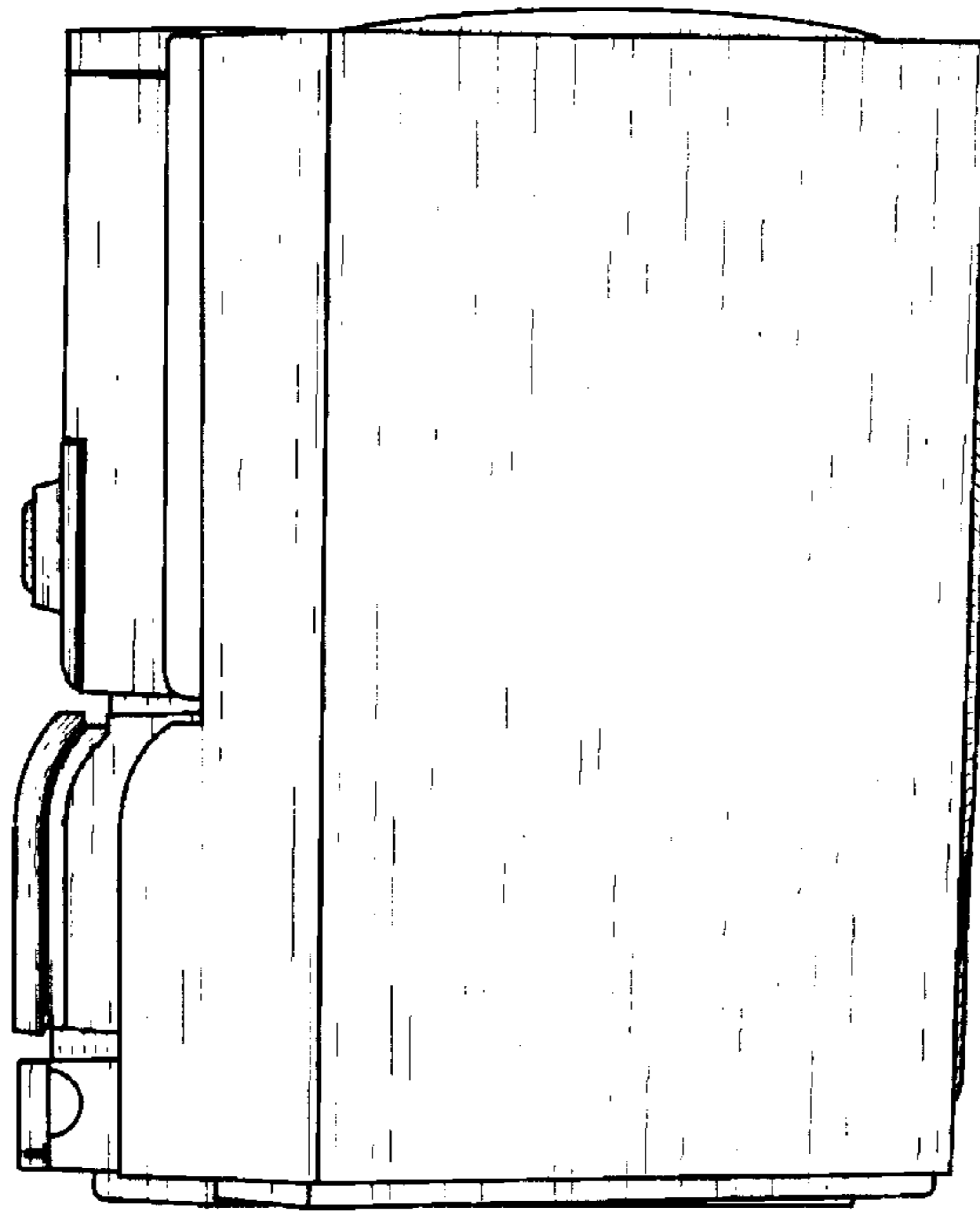


FIG. 6

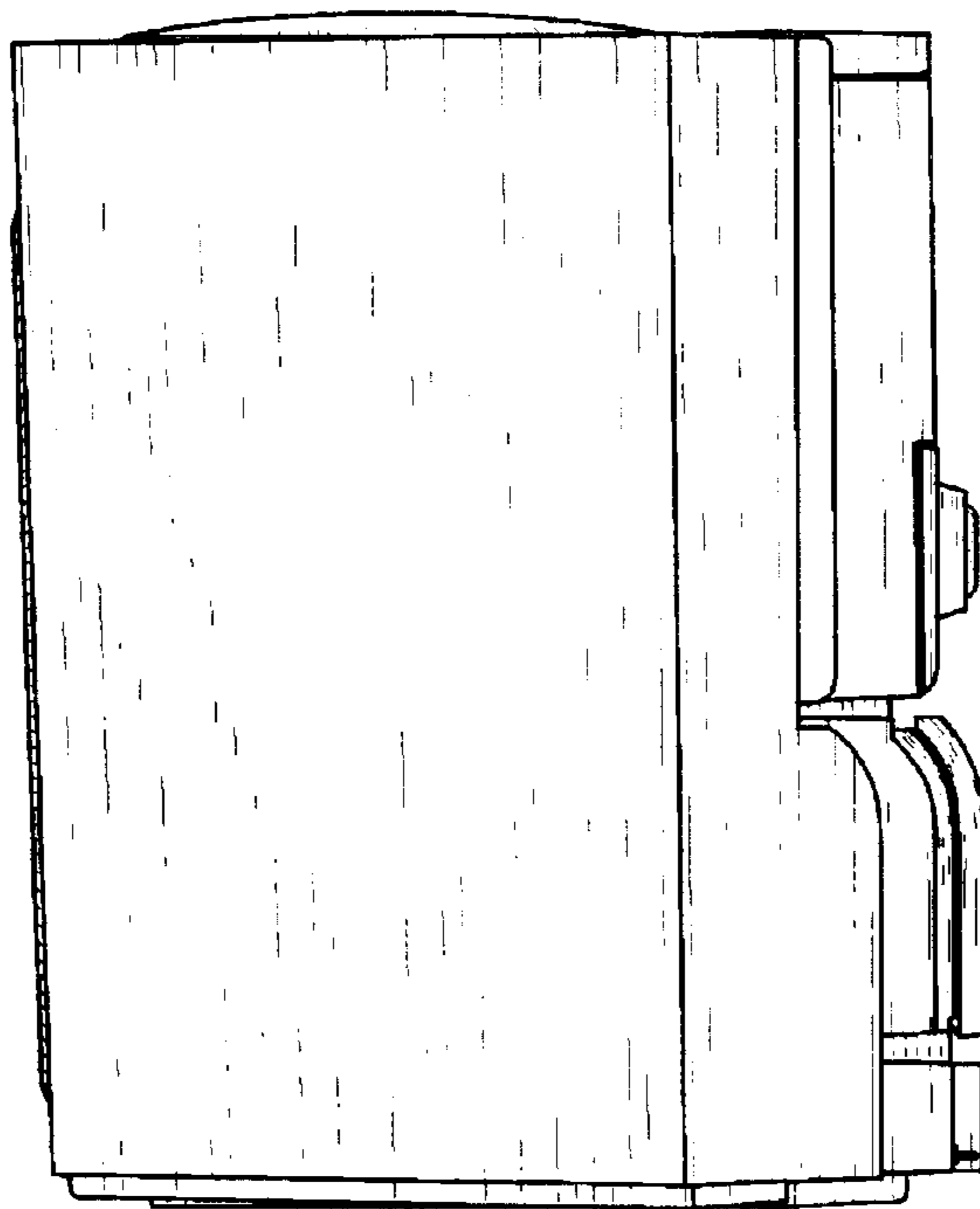


FIG. 7