



US00D468713S

(12) **United States Design Patent**  
**Lee et al.**

(10) **Patent No.: US D468,713 S**  
(45) **Date of Patent: \*\* Jan. 14, 2003**

- (54) **WIRELESS PHONE**
- (75) Inventors: **Jae Kyung Lee, Kyunggi-Do (KR);  
Bak Jin Sung, Kyunggi-Do (KR)**
- (73) Assignee: **Appeal Telecom Co., Ltd.,  
Kyonggi-Do (KR)**
- (\*\*) Term: **14 Years**
- (21) Appl. No.: **29/143,956**
- (22) Filed: **Jun. 25, 2001**

D456,378	S	*	4/2002	Fujimoto	.....	D14/138
D458,594	S	*	6/2002	Jang	.....	D14/138
D458,913	S	*	6/2002	Suzuki et al.	.....	D14/138
D459,329	S	*	6/2002	Suzuki et al.	.....	D14/138
D459,330	S	*	6/2002	Suzuki et al.	.....	D14/138
2001/0011029	A1	*	8/2001	Iwabuchi et al.	.....	455/566
2001/0011030	A1	*	8/2001	Kuroda	.....	455/566
2002/0006809	A1	*	1/2002	Kubo et al.	.....	455/550
2002/0013159	A1	*	1/2002	Takahashi et al.	.....	455/550
2002/0025787	A1	*	2/2002	Lee	.....	455/90
2002/0058527	A1	*	5/2002	Kawasaki et al.	.....	455/550
2002/0077145	A1	*	6/2002	Kamiya et al.	.....	455/550
2002/0081997	A1	*	6/2002	Morishima	.....	45/566 X
2002/0098810	A1	*	7/2002	Murakami	.....	455/90

**Related U.S. Application Data**

- (63) Continuation-in-part of application No. 29/134,718, filed on Dec. 29, 2000, now abandoned.
- (51) **LOC (7) Cl. .... 14-03**
- (52) **U.S. Cl. .... D14/138**
- (58) **Field of Search** ..... D14/137, 138,  
D14/218, 147-148, 247-248, 144, 341-347;  
379/433.01-433.13, 419, 434, 428.01-428.04,  
420.01-420.04, 440; 455/550-575, 90;  
D21/517

**FOREIGN PATENT DOCUMENTS**

JP	848974	*	10/1992
JP	849173	*	10/1992

\* cited by examiner

*Primary Examiner*—Jeffrey Asch  
(74) *Attorney, Agent, or Firm*—McGuire Woods LLP

(57) **CLAIM**

The ornamental design for a wireless phone, as shown and described.

(56) **References Cited**

**U.S. PATENT DOCUMENTS**

D428,403	S	*	7/2000	Hyun	.....	D14/138
D432,510	S	*	10/2000	Hyun	.....	D14/138
D434,402	S	*	11/2000	Lee	.....	D14/138
D439,571	S	*	3/2001	Hyun	.....	D14/138
D445,410	S	*	7/2001	Yoo et al.	.....	D14/138
D445,411	S	*	7/2001	Kim et al.	.....	D14/138
D445,771	S	*	7/2001	Kim	.....	D14/138
D446,201	S	*	8/2001	Kim	.....	D14/138
D446,508	S	*	8/2001	Yoo et al.	.....	D14/138
D447,741	S	*	9/2001	Lee et al.	.....	D14/138
D448,745	S	*	10/2001	Kim	.....	D14/138
D449,284	S	*	10/2001	Kim et al.	.....	D14/138
D450,046	S	*	11/2001	Chun	.....	D14/138
D454,550	S	*	3/2002	Hayasaka et al.	.....	D14/138
D455,135	S	*	4/2002	Hyun	.....	D14/138
D455,414	S	*	4/2002	Lee et al.	.....	D14/138

**DESCRIPTION**

FIG. 1 is a front perspective view of the wireless phone (the fine lines in FIG. 1 within the transparent circular feature indicate the shape shown through a transparent material); FIG. 2 is a front elevation view of the wireless phone; FIG. 3 is a back elevation view of the wireless phone; FIG. 4 is a left side plan view of the wireless phone; FIG. 5 is a right side plan view of the wireless phone; FIG. 6 is a top plan view of the wireless phone; FIG. 7 is a lower plan view of the wireless phone (the fine lines in FIG. 7 within the transparent circular feature indicate the shape shown through a transparent material; and, FIG. 8 is a front elevation view of the wireless phone in the unfolded state.

**1 Claim, 5 Drawing Sheets**



FIG. 1

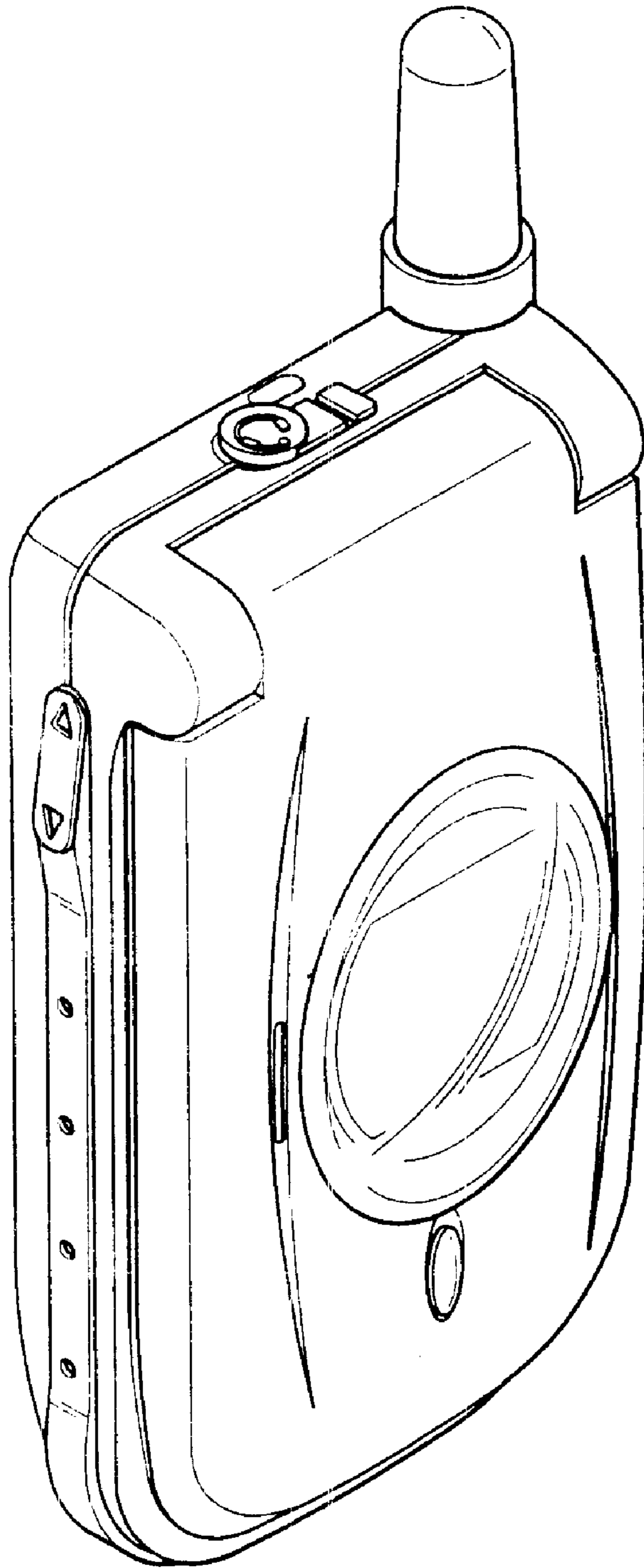


FIG. 2

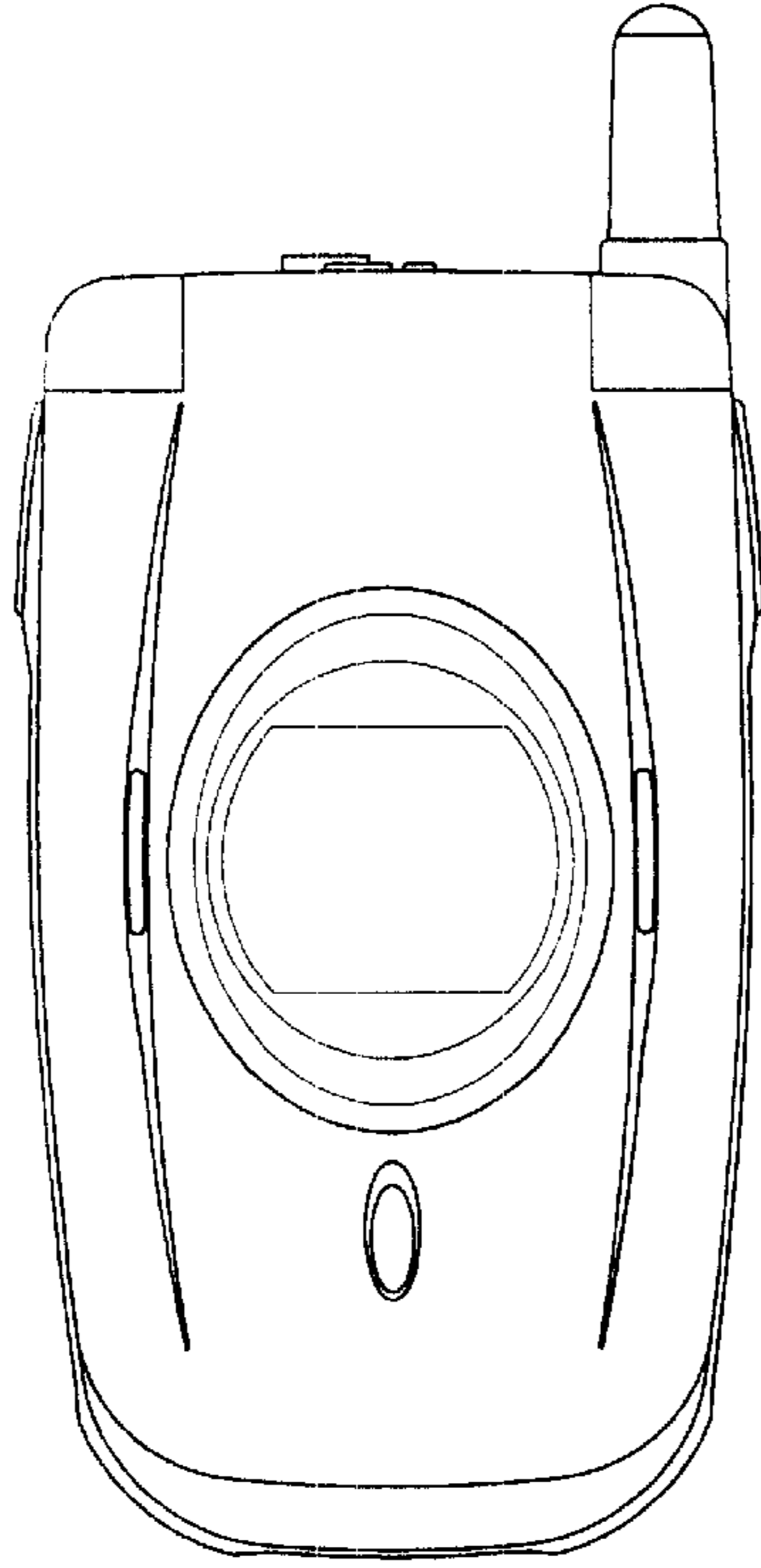


FIG. 3

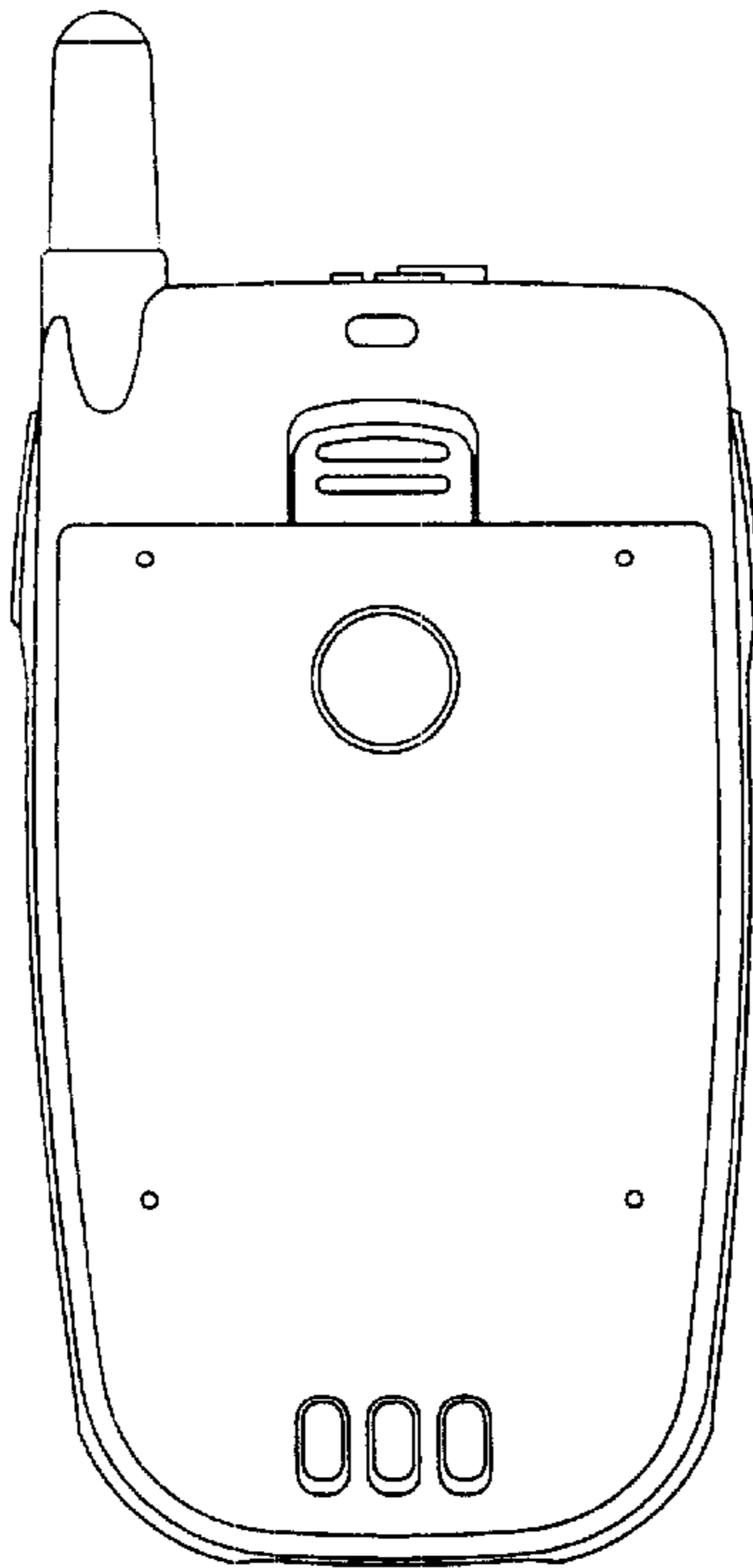


FIG. 4

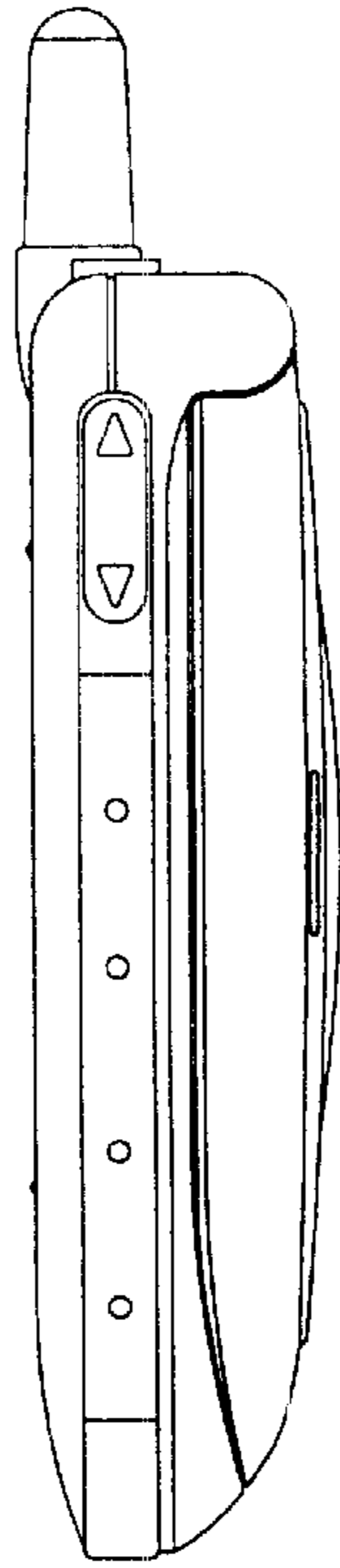


FIG. 5

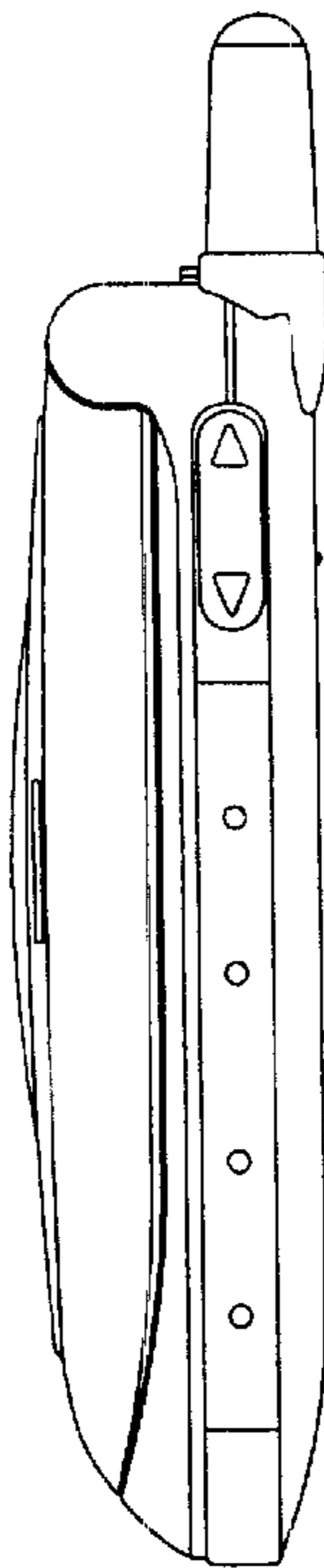


FIG. 6

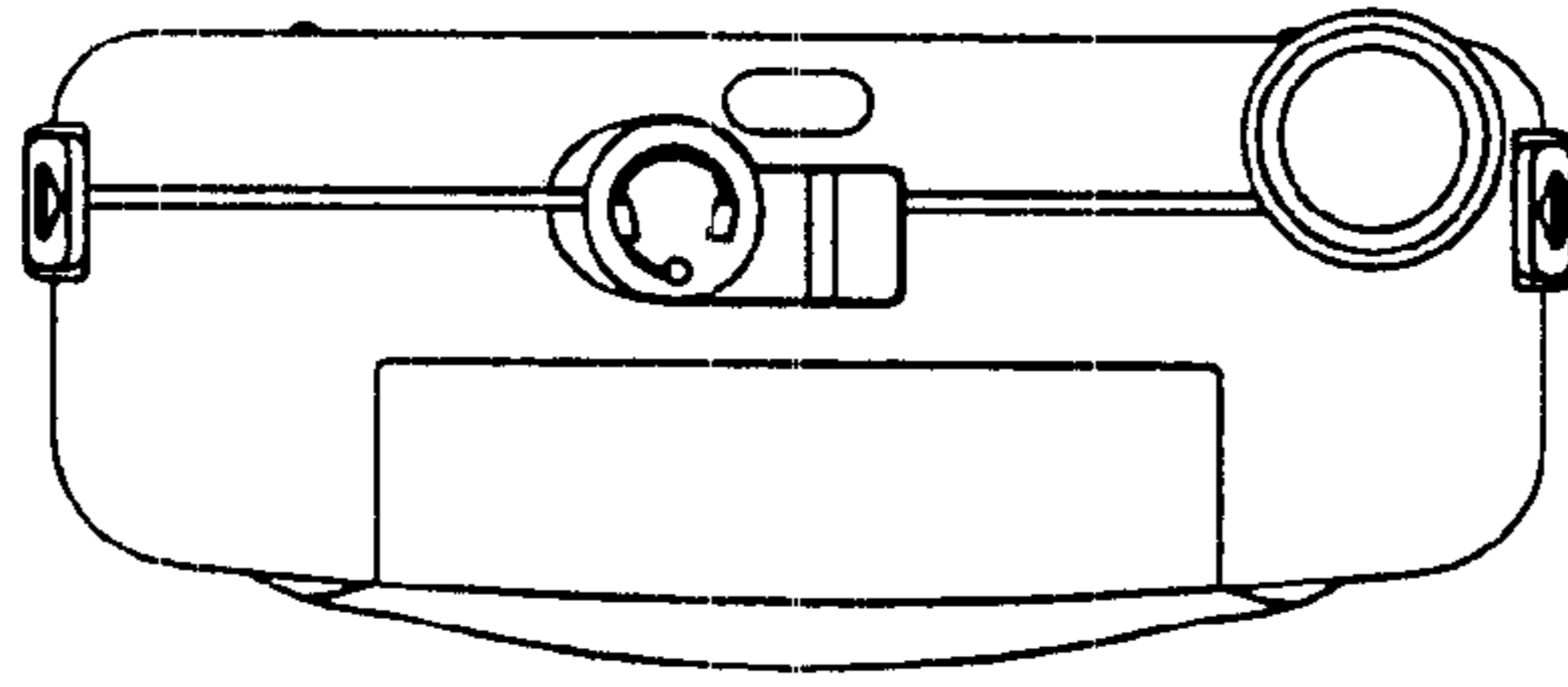


FIG. 7

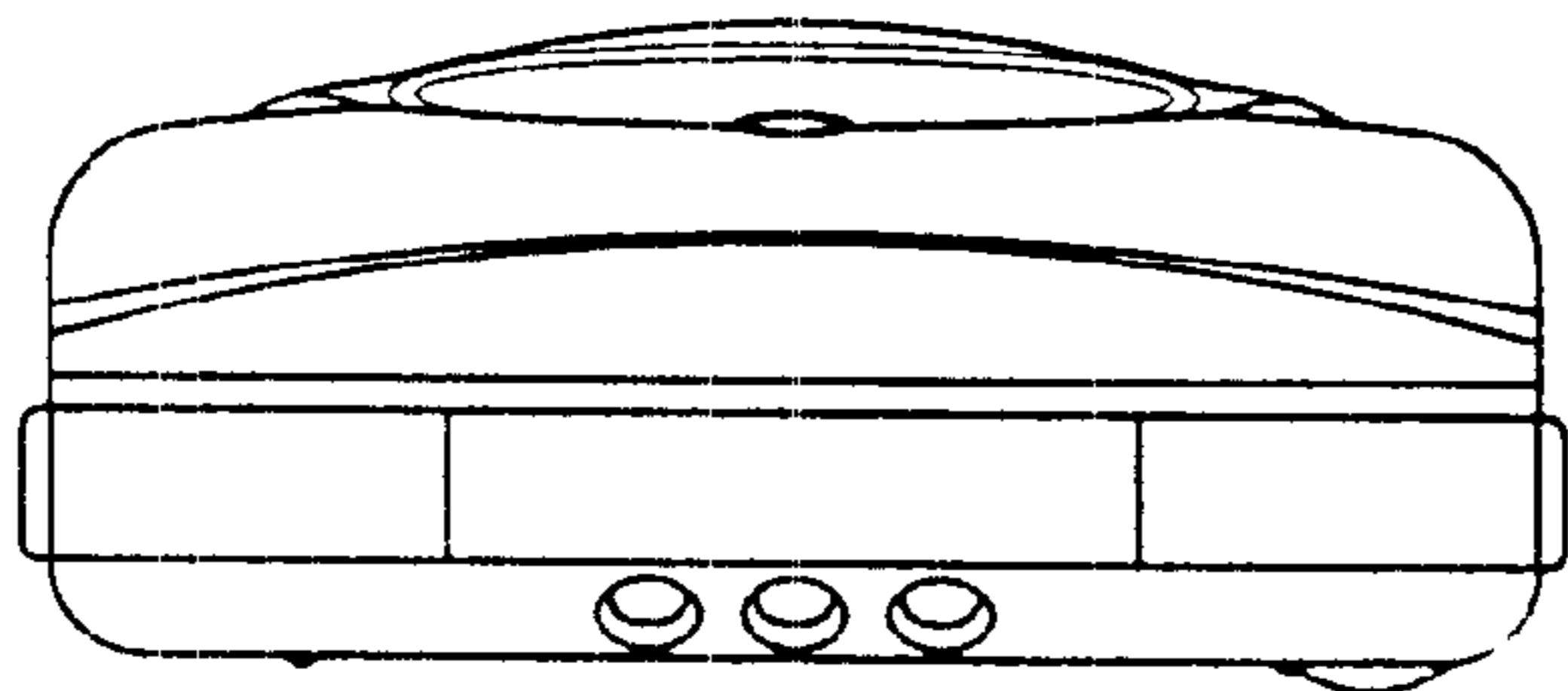


FIG. 8

