



US00D468711S

(12) **United States Design Patent**
Chang

(10) **Patent No.:** **US D468,711 S**

(45) **Date of Patent:** **** Jan. 14, 2003**

(54) **OVERHEAD TV SCREEN IN COMBINATION WITH A DVD PLAYER**

(75) Inventor: **Steven Chang**, Taipei Hsien (TW)

(73) Assignee: **Punch Video, Inc.**, Taipei Hsien (TW)

(**) Term: **14 Years**

(21) Appl. No.: **29/150,253**

(22) Filed: **Nov. 19, 2001**

(51) **LOC (7) Cl.** **14-03**

(52) **U.S. Cl.** **D14/129; D14/132**

(58) **Field of Search** D14/126-136,
D14/156-157, 167-168, 327, 371; 369/75.1,
75.2, 77.1, 77.2; 312/7.2; 248/917-924;
348/794; 455/344-347, 350-351; D12/415-418,
345

(56) **References Cited**

U.S. PATENT DOCUMENTS

5,495,586 A * 2/1996 Adachi et al. 369/75.1
5,946,055 A * 8/1999 Rosen 312/7.2
6,059,255 A * 5/2000 Rosen 248/917

D443,256 S * 6/2001 Yoshiyama D14/129
D447,738 S * 9/2001 Usami et al. D14/129
D453,325 S * 2/2002 Okada et al. D14/132
D454,847 S * 3/2002 Busse D14/132

* cited by examiner

Primary Examiner—Raphael Barkai

(74) *Attorney, Agent, or Firm*—Rosenberg, Klein & Lee

(57) **CLAIM**

The ornamental design for a overhead TV screen in combination with a DVD player, as shown.

DESCRIPTION

FIG. 1 is a front-right-top perspective view of a overhead TV screen in combination with a DVD player, showing my new design;

FIG. 2 is a front elevational view thereof;

FIG. 3 is a rear elevational view thereof;

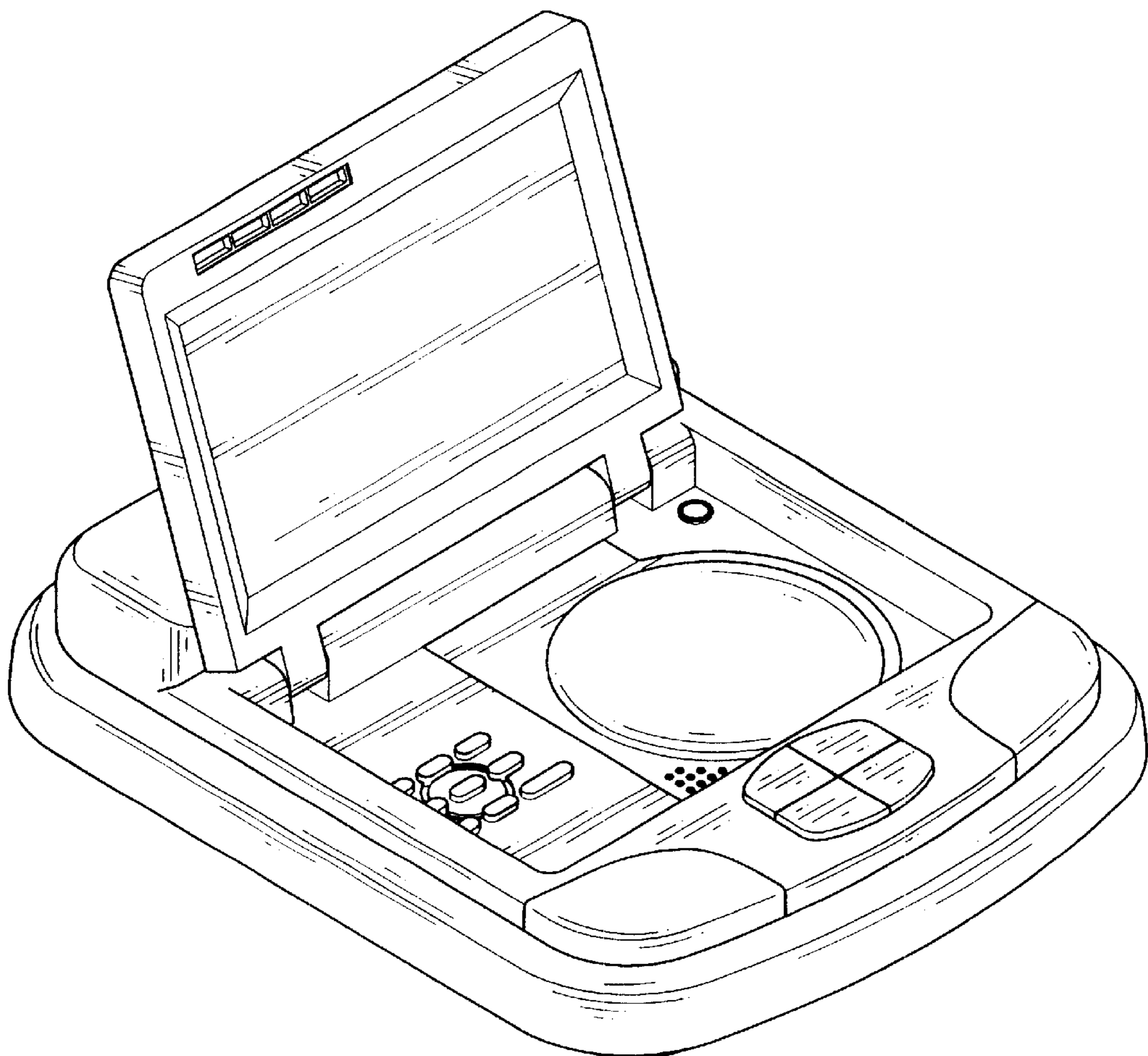
FIG. 4 is a left elevational view thereof;

FIG. 5 is a right elevational view thereof;

FIG. 6 is top plan view thereof; and,

FIG. 7 is a bottom plan view thereof.

1 Claim, 5 Drawing Sheets



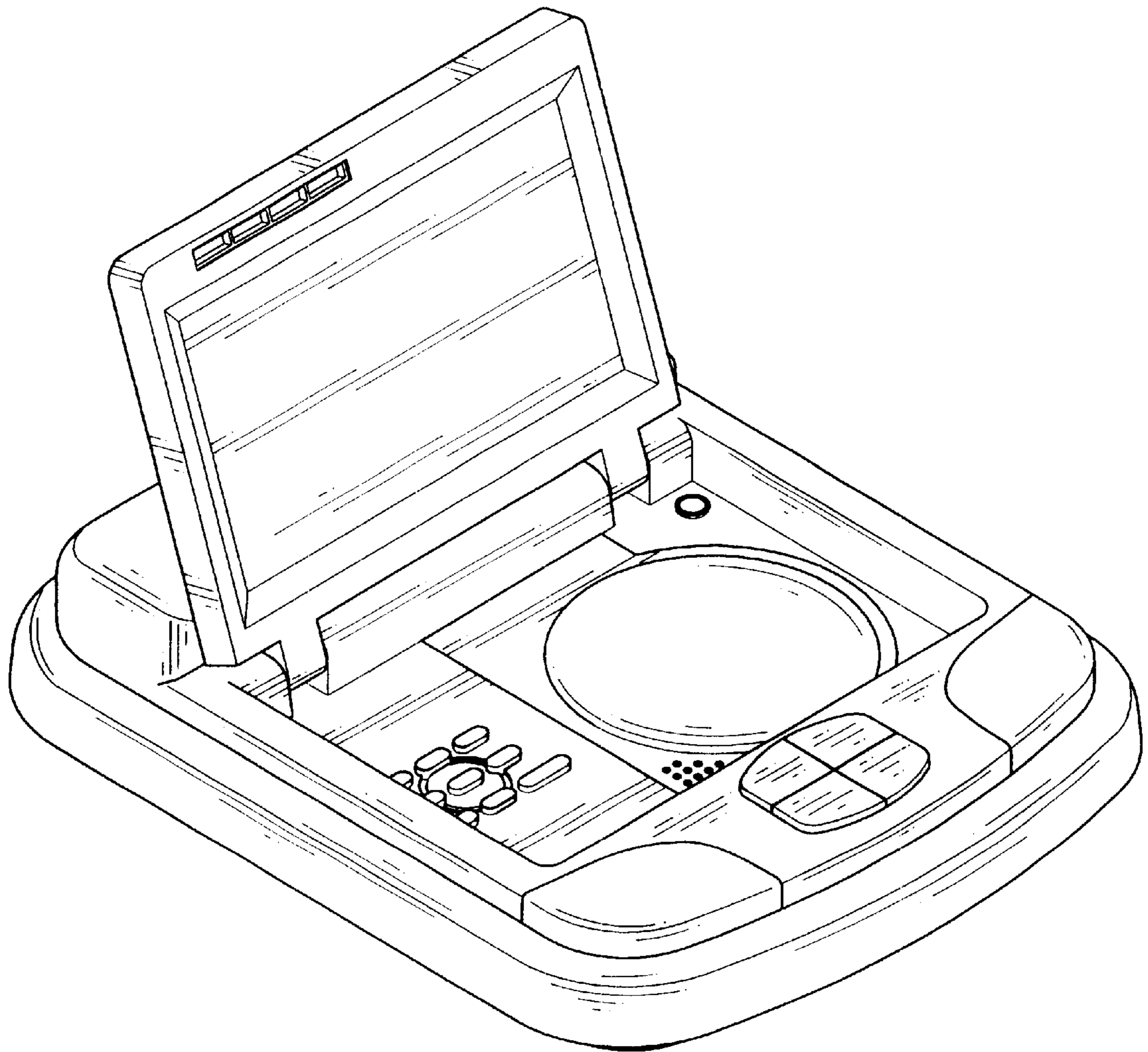


FIG. 1

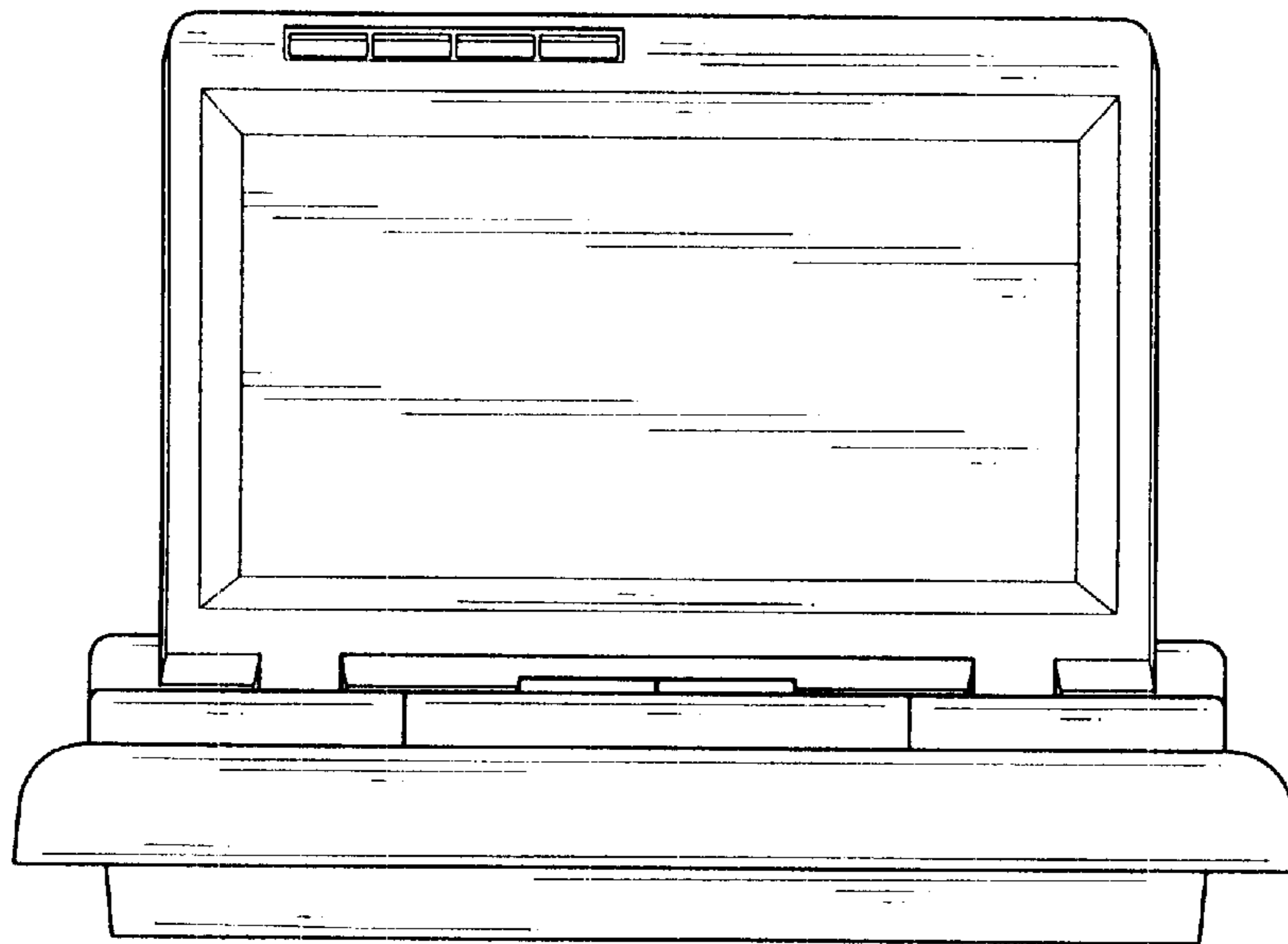


FIG. 2

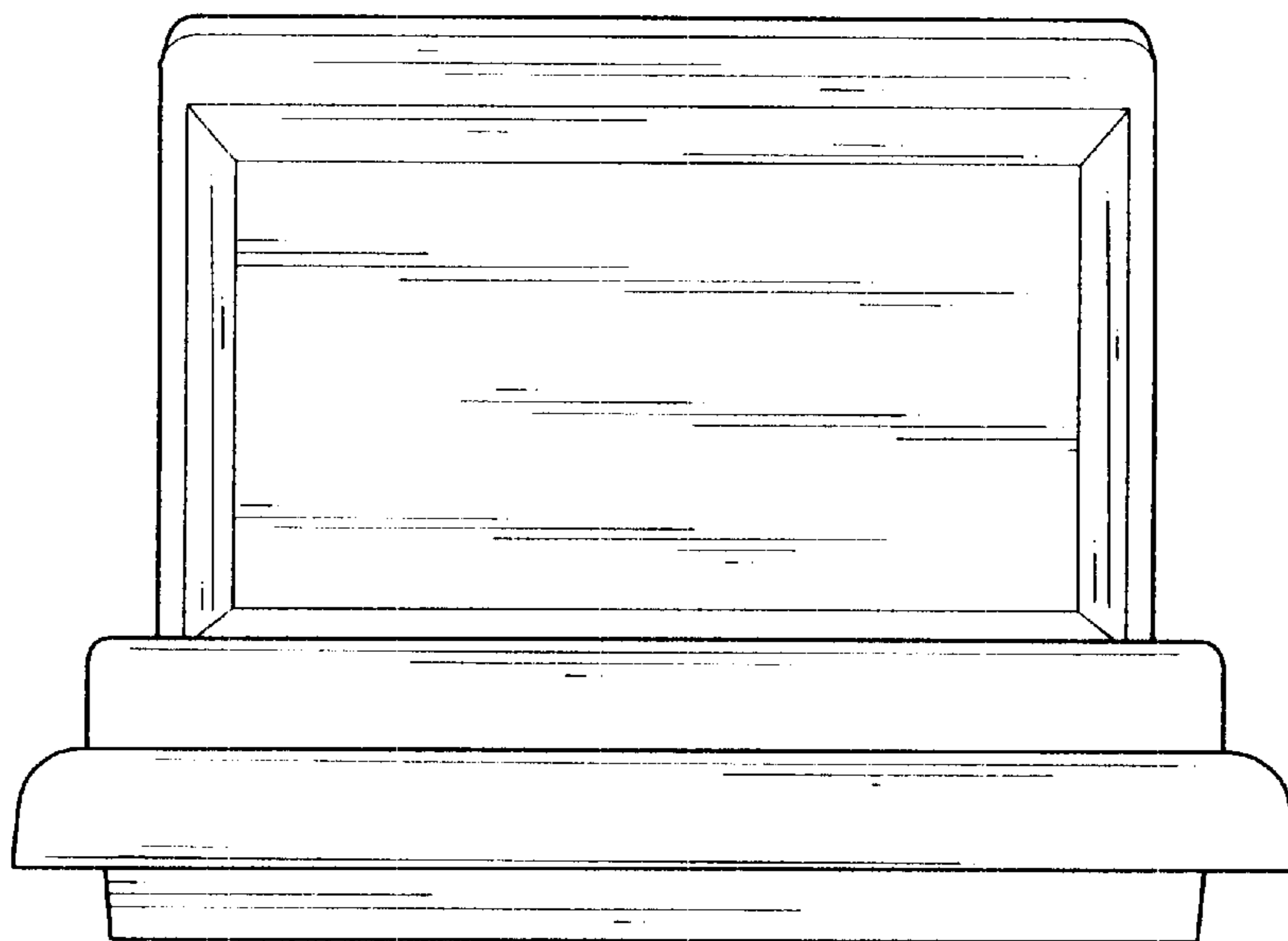


FIG. 3

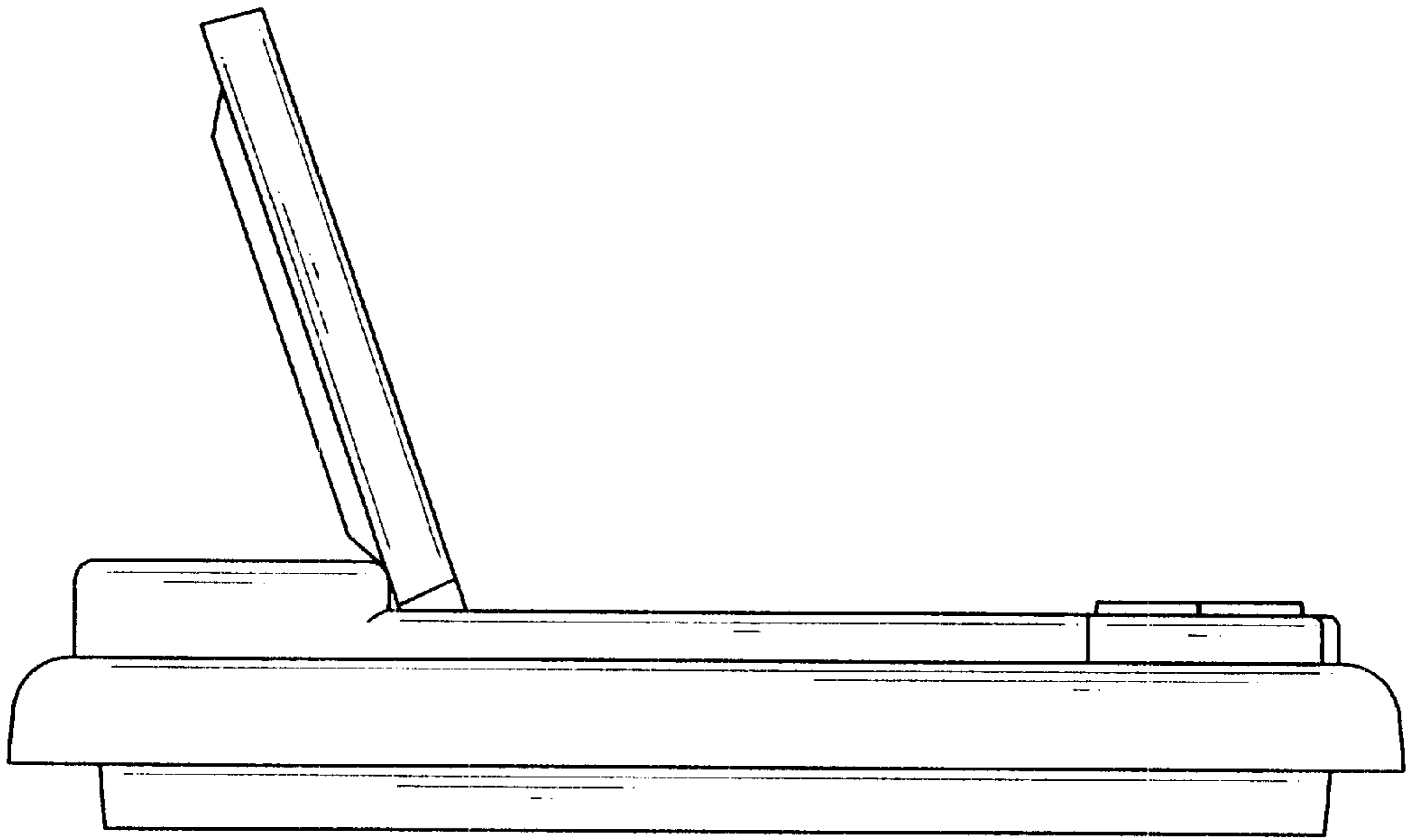


FIG. 4

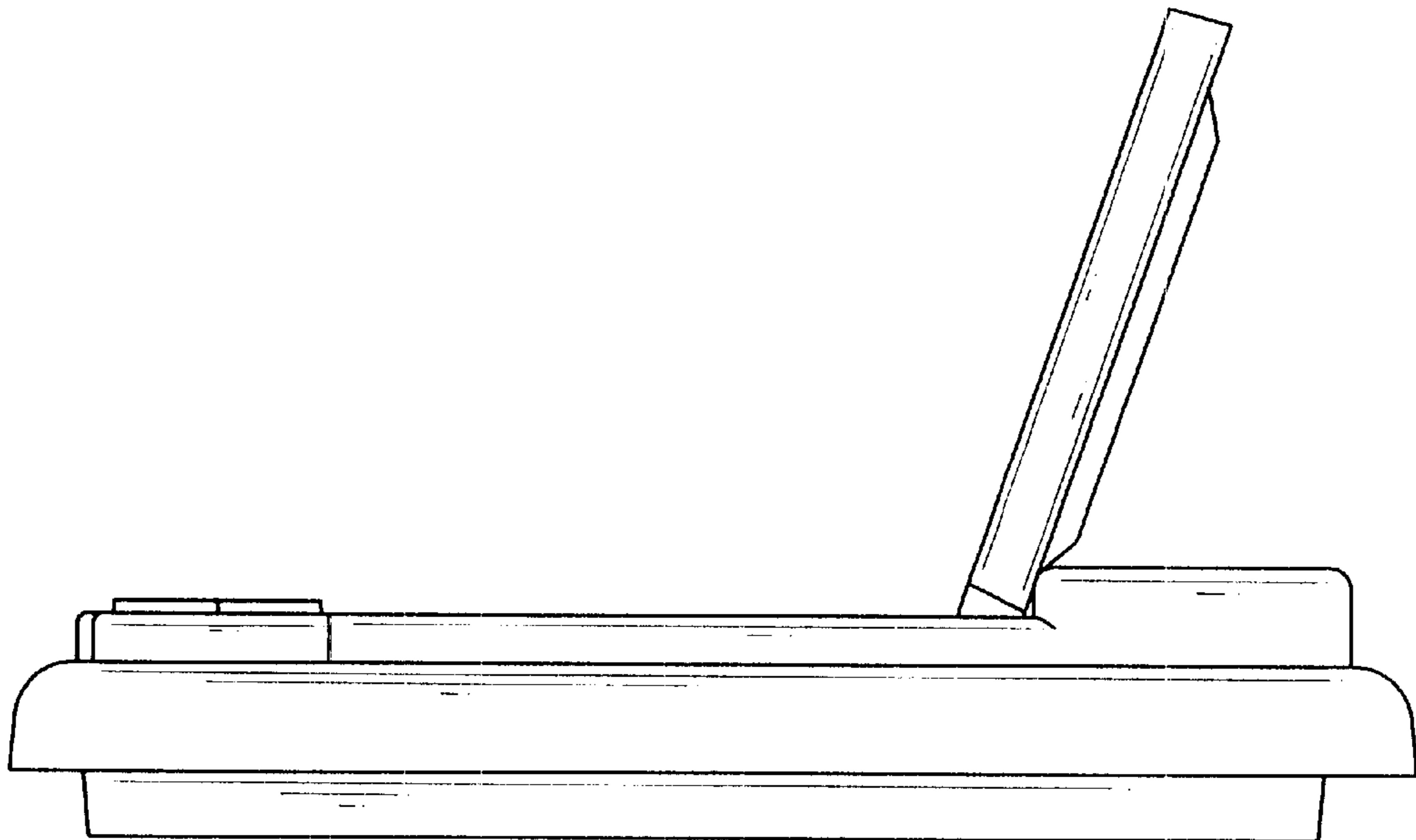


FIG. 5

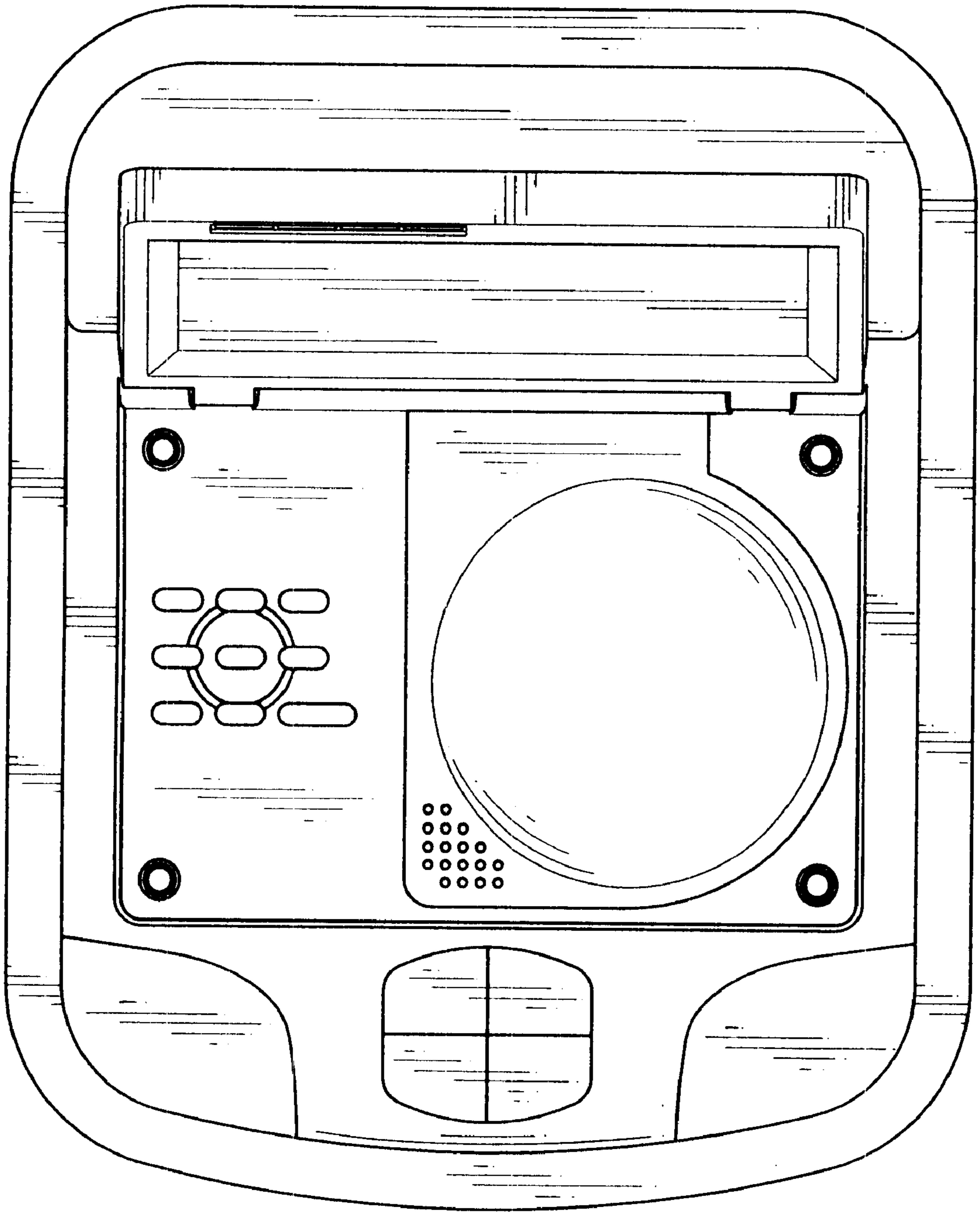


FIG. 6

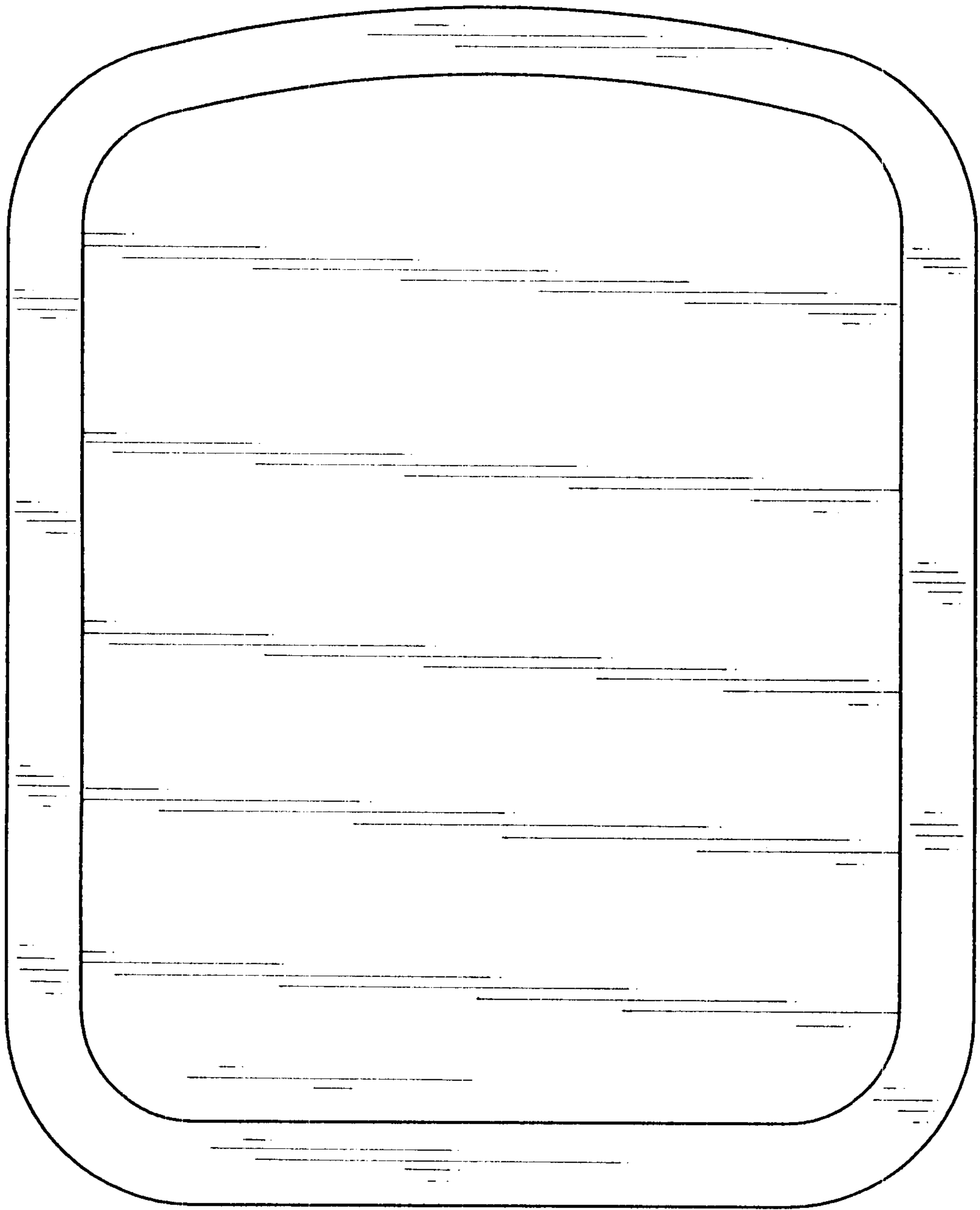


FIG. 7