



US00D468707S

(12) **United States Design Patent**
Wu et al.

(10) **Patent No.:** **US D468,707 S**

(45) **Date of Patent:** **** Jan. 14, 2003**

- (54) **HOLDER OF OPTICAL SWITCH EQUIPMENT**
- (75) Inventors: **Kun-Tsan Wu, Tu-Chen (TW);**
Chien-Cheng Chen, Tu-Chen (TW)
- (73) Assignee: **Hon Hai Precision Ind. Co., Ltd.,**
Taipei Hsien (TW)
- (**) Term: **14 Years**
- (21) Appl. No.: **29/152,895**
- (22) Filed: **Dec. 27, 2001**
- (30) **Foreign Application Priority Data**
Oct. 31, 2001 (TW) 090306971
- (51) **LOC (7) Cl.** **13-03**
- (52) **U.S. Cl.** **D13/173**
- (58) **Field of Search** D13/158, 173;
250/227.21, 551; 359/117, 118, 127, 128,
139; 370/247, 250, 278; 385/134, 135,
16, 18, 19, 23, 184

- 5,214,444 A * 5/1993 Kerr et al. 347/238
- 5,758,004 A * 5/1998 Alarcon et al. 385/135
- 5,915,061 A * 6/1999 Vanoli 385/135
- 6,249,634 B1 * 6/2001 Tenney et al. 385/135
- 6,269,212 B1 * 7/2001 Schiattone 385/135
- 6,282,360 B1 * 8/2001 Milanowski et al. 385/135
- 6,289,160 B1 * 9/2001 Daoud 385/135
- 6,418,263 B1 * 7/2002 Mardirossian et al. 385/135

* cited by examiner

Primary Examiner—Ted Shooman
Assistant Examiner—Selina Sikder
(74) *Attorney, Agent, or Firm*—WeiTe Chung

(57) **CLAIM**

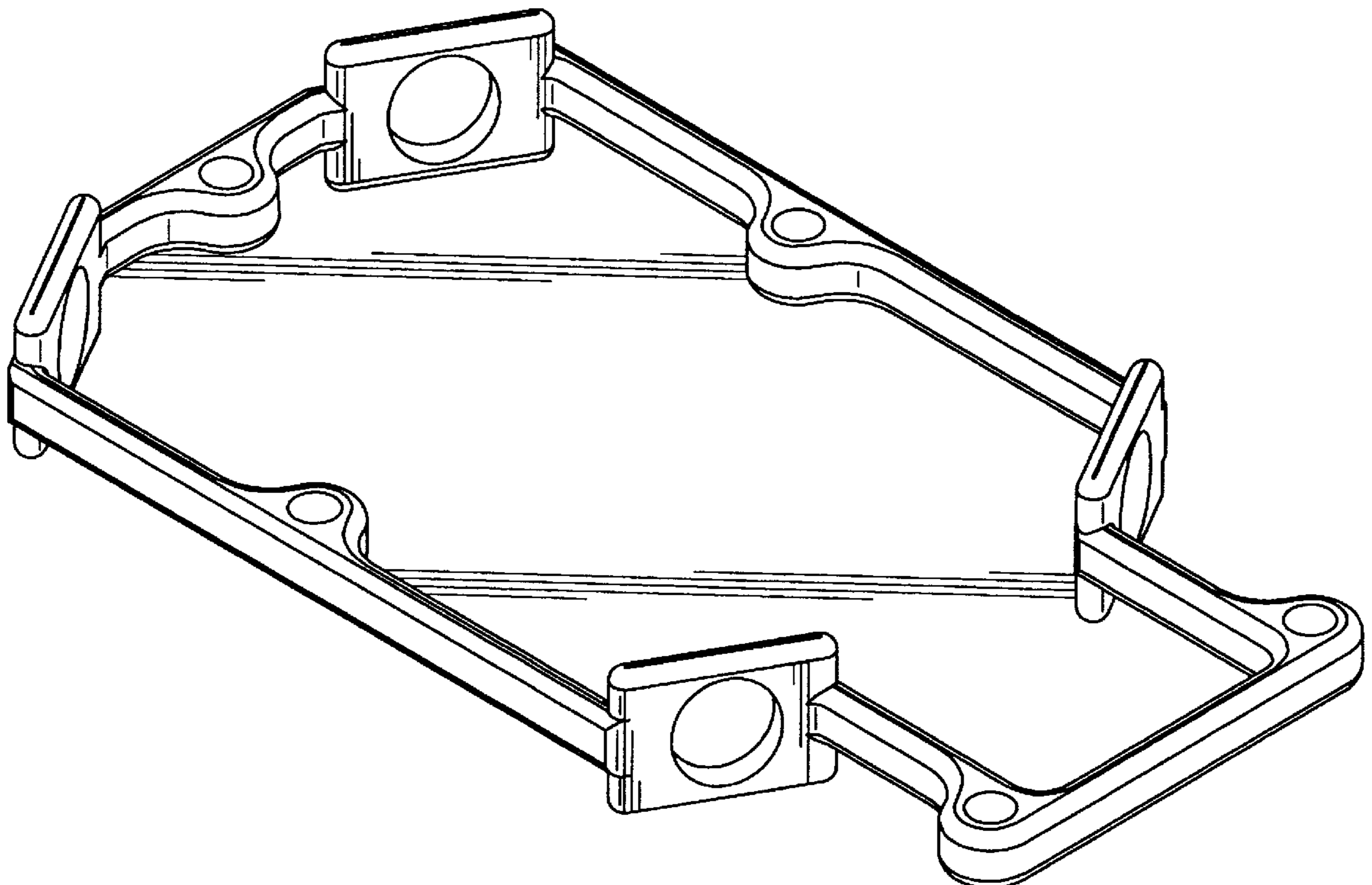
The ornamental design of a holder of optical switch equipment, as shown and described.

DESCRIPTION

FIG. 1 is a front, top and right side perspective view of a holder of optical switch equipment showing our new design; FIG. 2 is a front elevational view thereof; FIG. 3 is a rear elevational view thereof; FIG. 4 is a left side elevational view thereof; FIG. 5 is a right side elevational view thereof; FIG. 6 is a top plan view thereof; and, FIG. 7 is a bottom plan view thereof.

- (56) **References Cited**
U.S. PATENT DOCUMENTS
4,878,729 A * 11/1989 Stewart 385/18
5,167,001 A * 11/1992 Debortoli et al. 385/135

1 Claim, 6 Drawing Sheets



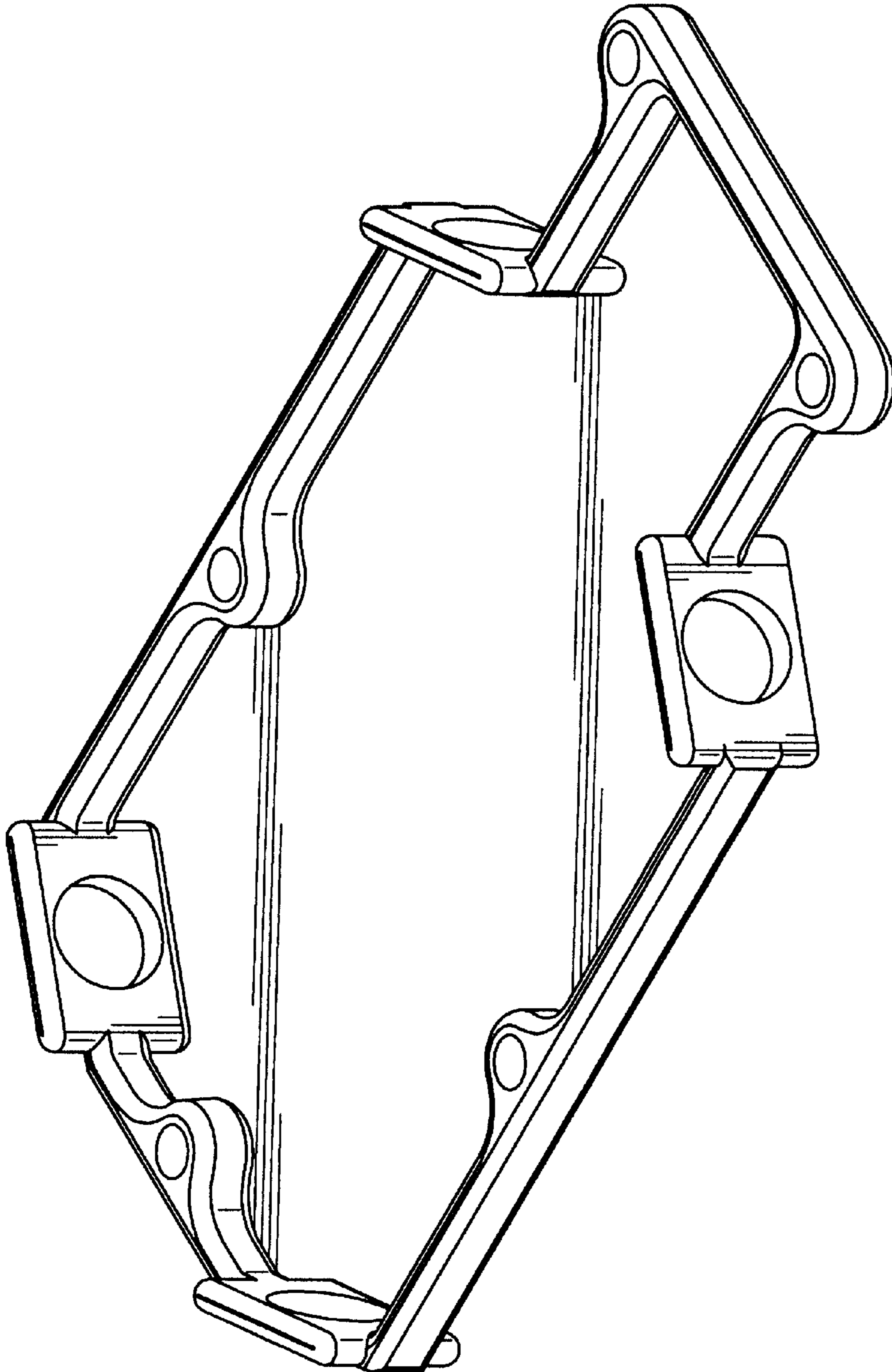


FIG. 1

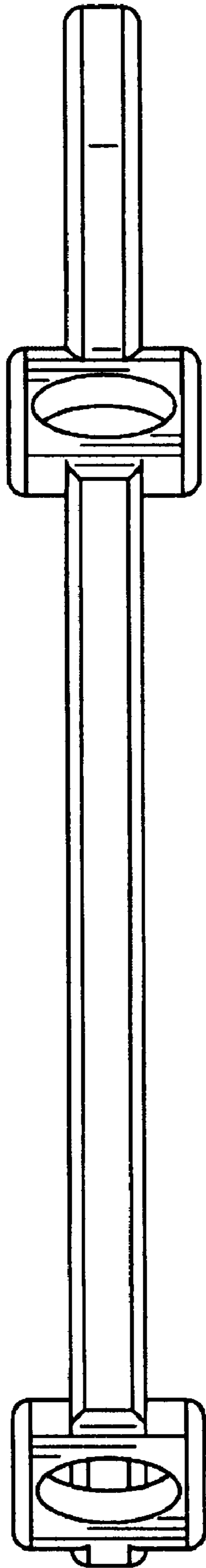


FIG. 2

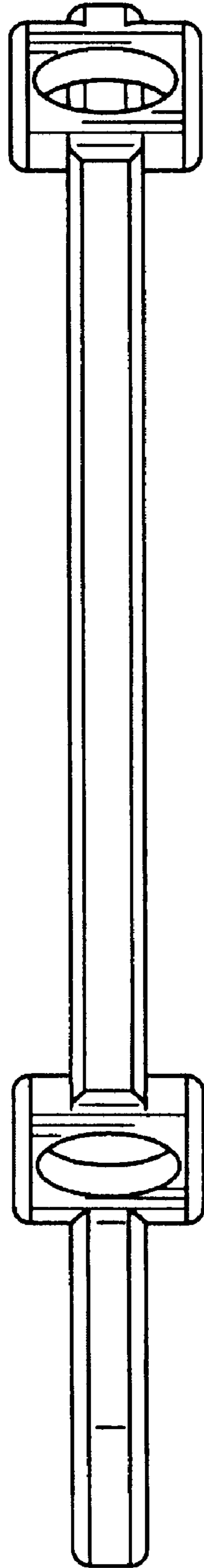


FIG. 3

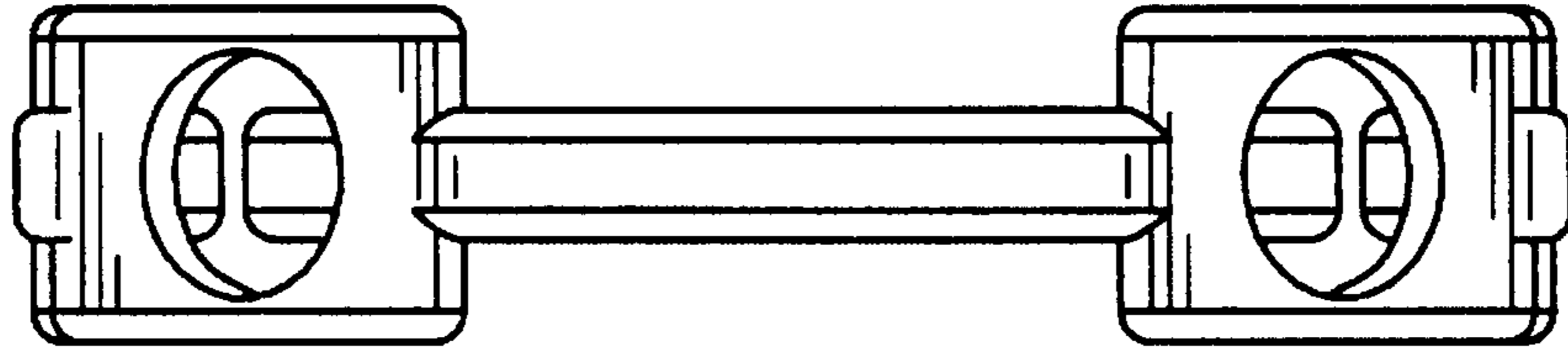


FIG. 4

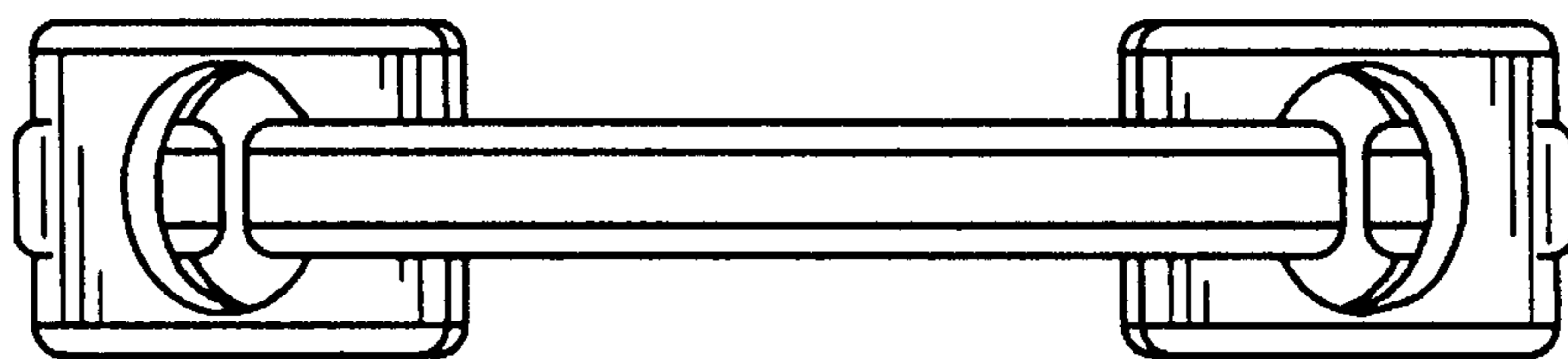


FIG. 5

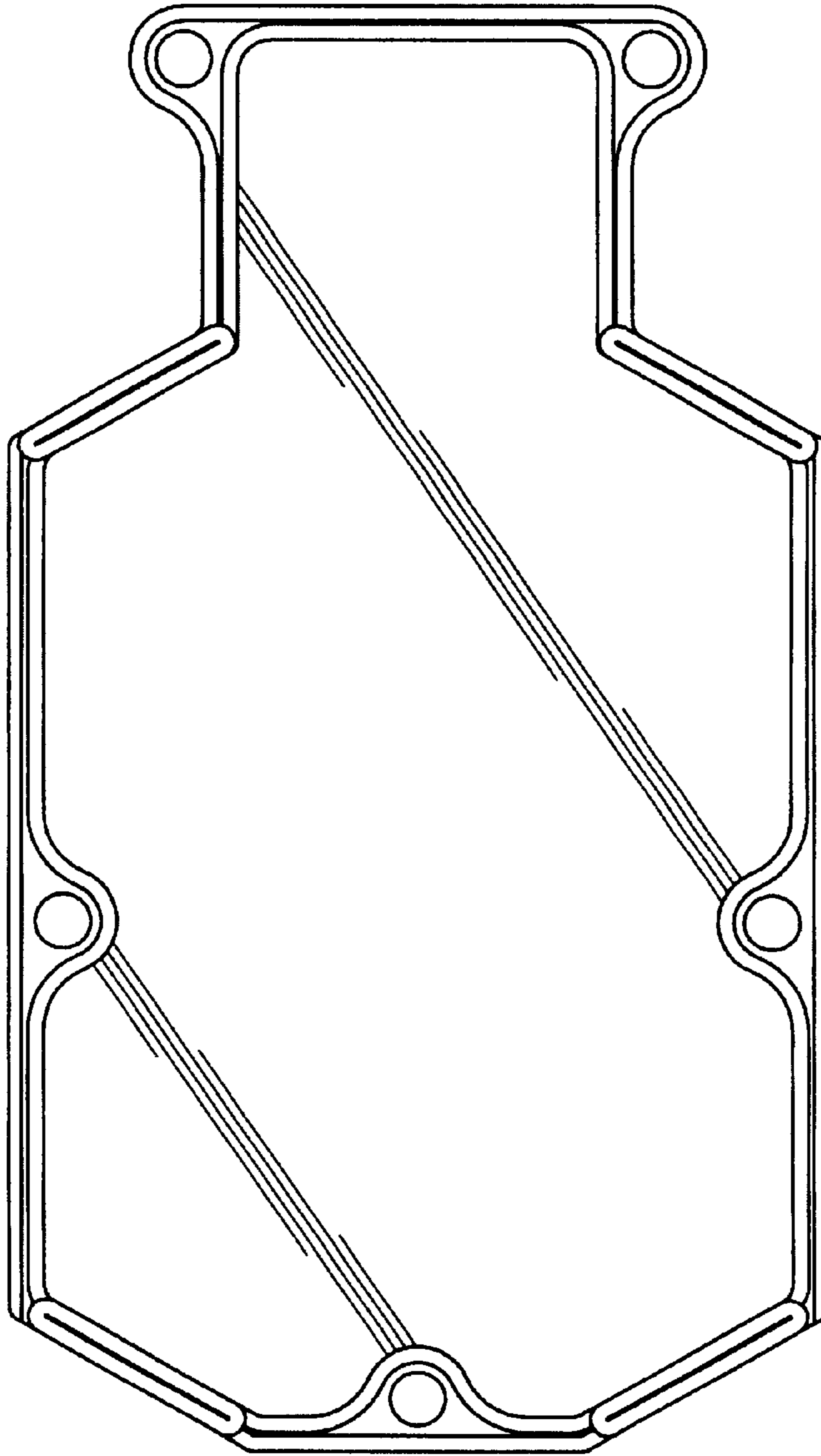


FIG. 6

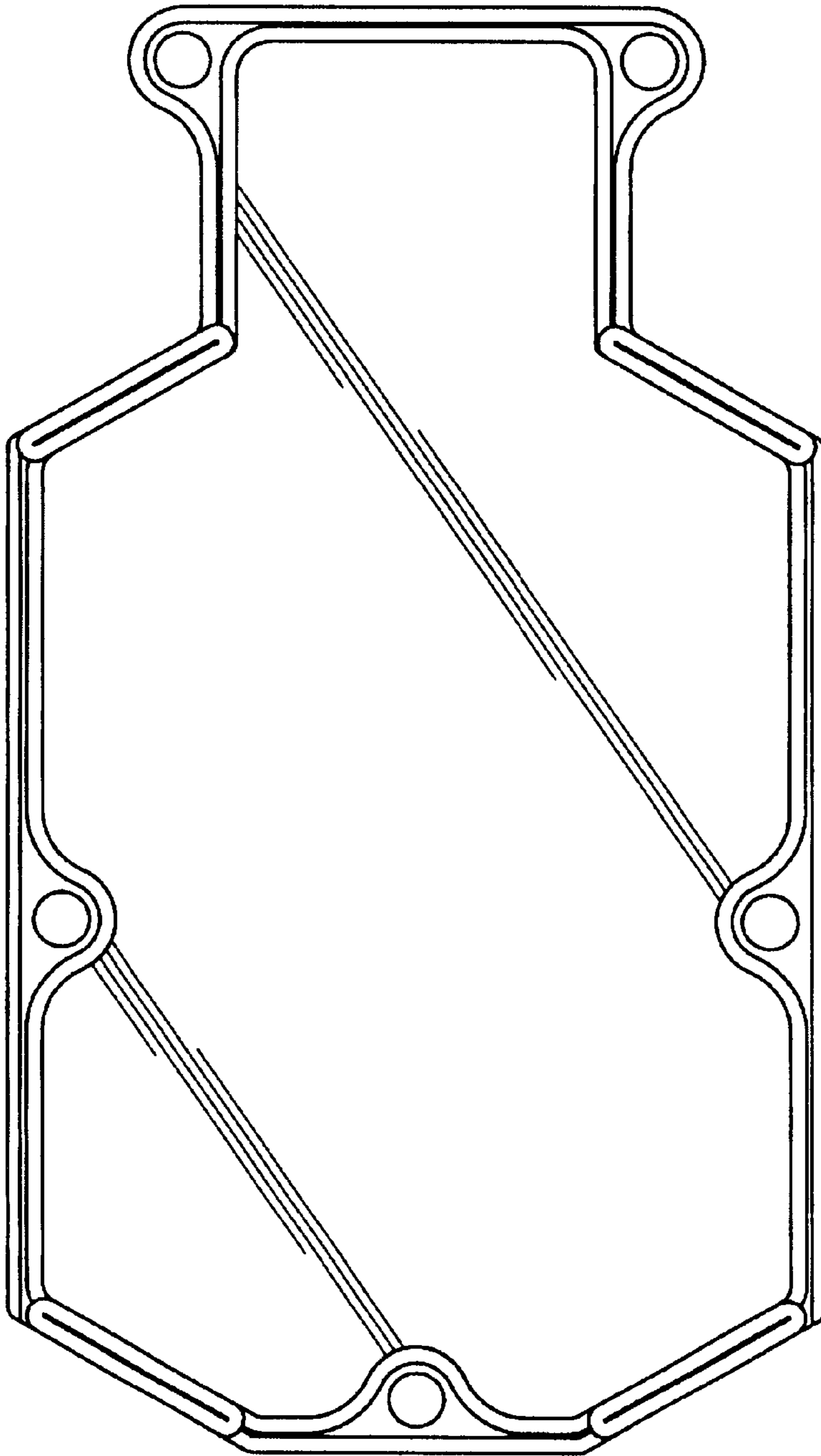


FIG. 7