



US00D468704S

(12) **United States Design Patent**  
**Reichard**

(10) **Patent No.:** **US D468,704 S**

(45) **Date of Patent:** **\*\* Jan. 14, 2003**

(54) **BRAKE CONTROLLER**

(75) **Inventor:** **Jason A. Reichard**, Scotts, MI (US)

(73) **Assignee:** **Tekonsha Engineering Company**,  
Tekonsha, MI (US)

(\*\*) **Term:** **14 Years**

(21) **Appl. No.:** **29/150,627**

(22) **Filed:** **Nov. 26, 2001**

(51) **LOC (7) Cl.** ..... **13-03**

(52) **U.S. Cl.** ..... **D13/162; D13/167**

(58) **Field of Search** ..... D10/106; D12/126,  
D12/162, 179, 192; D14/218; D13/162,  
167; 188/3 R, 112 R, 138; 303/24 A, 24 R,  
3, 121, 124, 125, 127, 202; 340/540, 542,  
561, 571, 572, 825.69, 825.72, 825.36;  
455/352-355; 200/43.01, 52 R, 61.09, 61.89

(56) **References Cited**

**U.S. PATENT DOCUMENTS**

D199,904 S	12/1964	Nunn, Jr.	
D215,158 S	9/1969	Ozaki	
3,780,832 A	12/1973	Marshall	
3,909,075 A	9/1975	Pittet, Jr. et al.	
3,953,084 A	4/1976	Pittet, Jr. et al.	
4,079,804 A *	3/1978	Paillard	180/14.1
D257,973 S	1/1981	Reid	
D319,423 S *	8/1991	Karczewski et al.	D12/179
D322,426 S	12/1991	Austin	
D331,226 S	11/1992	Austin	
5,322,255 A	6/1994	Garrett	
5,333,948 A	8/1994	Austin et al.	
D356,298 S	3/1995	Austin	
5,398,901 A	3/1995	Brodmann et al.	
D362,659 S	9/1995	Hedding et al.	

D378,511 S	3/1997	Austin	
5,615,930 A	4/1997	McGrath et al.	
D392,604 S *	3/1998	Wright et al.	D12/126
5,832,840 A	11/1998	Woof	
D404,365 S	1/1999	Robertson et al.	
D407,694 S	4/1999	Hill et al.	
D418,822 S	1/2000	Worley et al.	
D433,387 S	11/2000	Roth et al.	
D434,011 S	11/2000	Roth et al.	
D434,391 S	11/2000	Roth et al.	
D436,932 S	1/2001	Roth et al.	
6,286,911 B1 *	9/2001	Wright et al.	303/3
D450,661 S *	11/2001	Weisz et al.	D13/167
6,371,572 B1 *	4/2002	Frank	303/20

\* cited by examiner

*Primary Examiner*—Ted Shooman

*Assistant Examiner*—Selina Sikder

(74) *Attorney, Agent, or Firm*—Price, Heneveld, Cooper,  
DeWitt & Litton

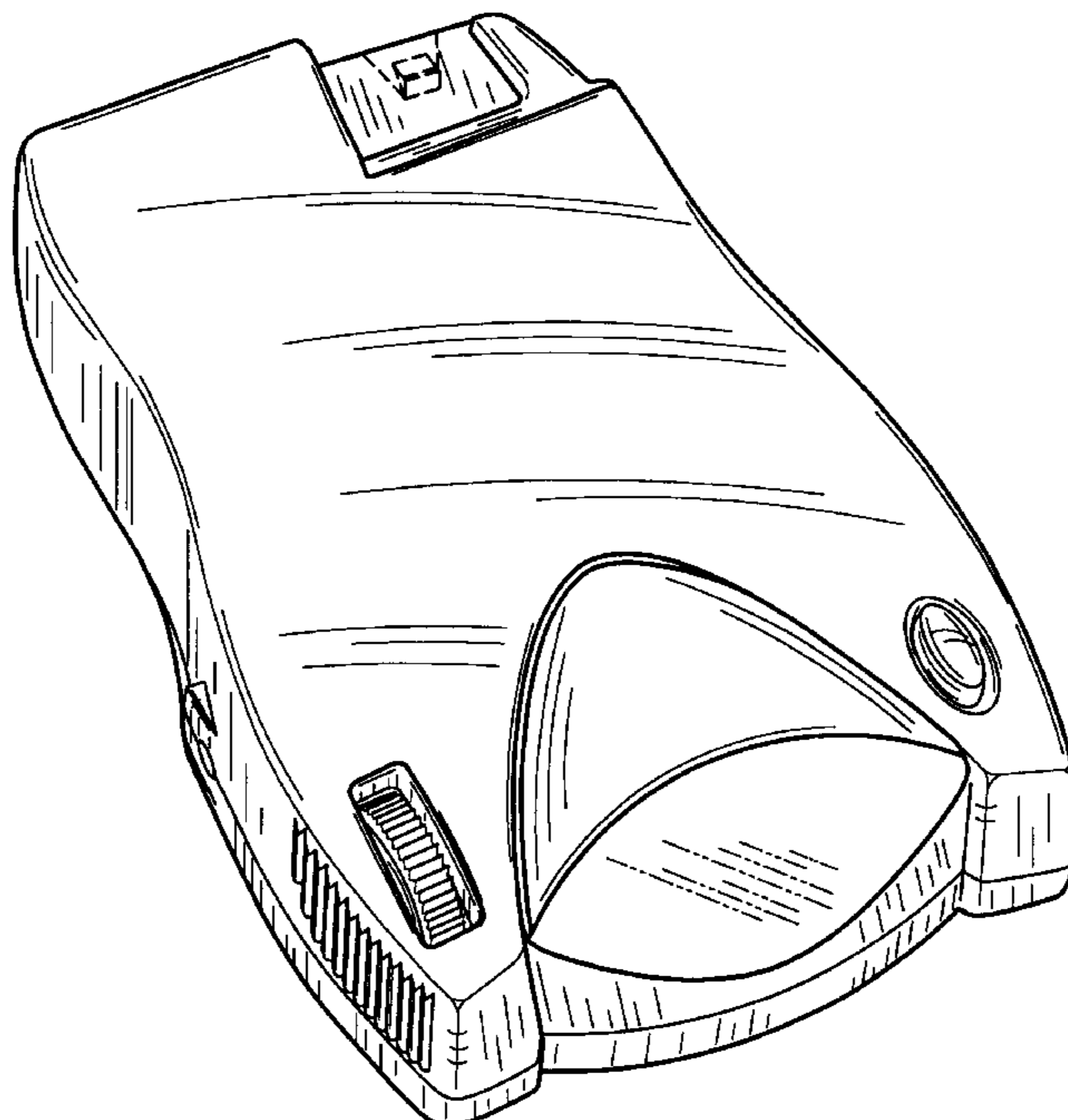
(57) **CLAIM**

The ornamental design for a brake controller, as shown and described.

**DESCRIPTION**

FIG. 1 is a perspective view of a brake controller, showing my new design;  
FIG. 2 is a front view thereof;  
FIG. 3 is a right side view thereof;  
FIG. 4 is a rear view thereof;  
FIG. 5 is a left side view thereof;  
FIG. 6 is a top view thereof; and,  
FIG. 7 is a bottom view thereof.  
The broken line showing of the environment is for illustrative purpose only and forms no part of the claimed design.

**1 Claim, 3 Drawing Sheets**



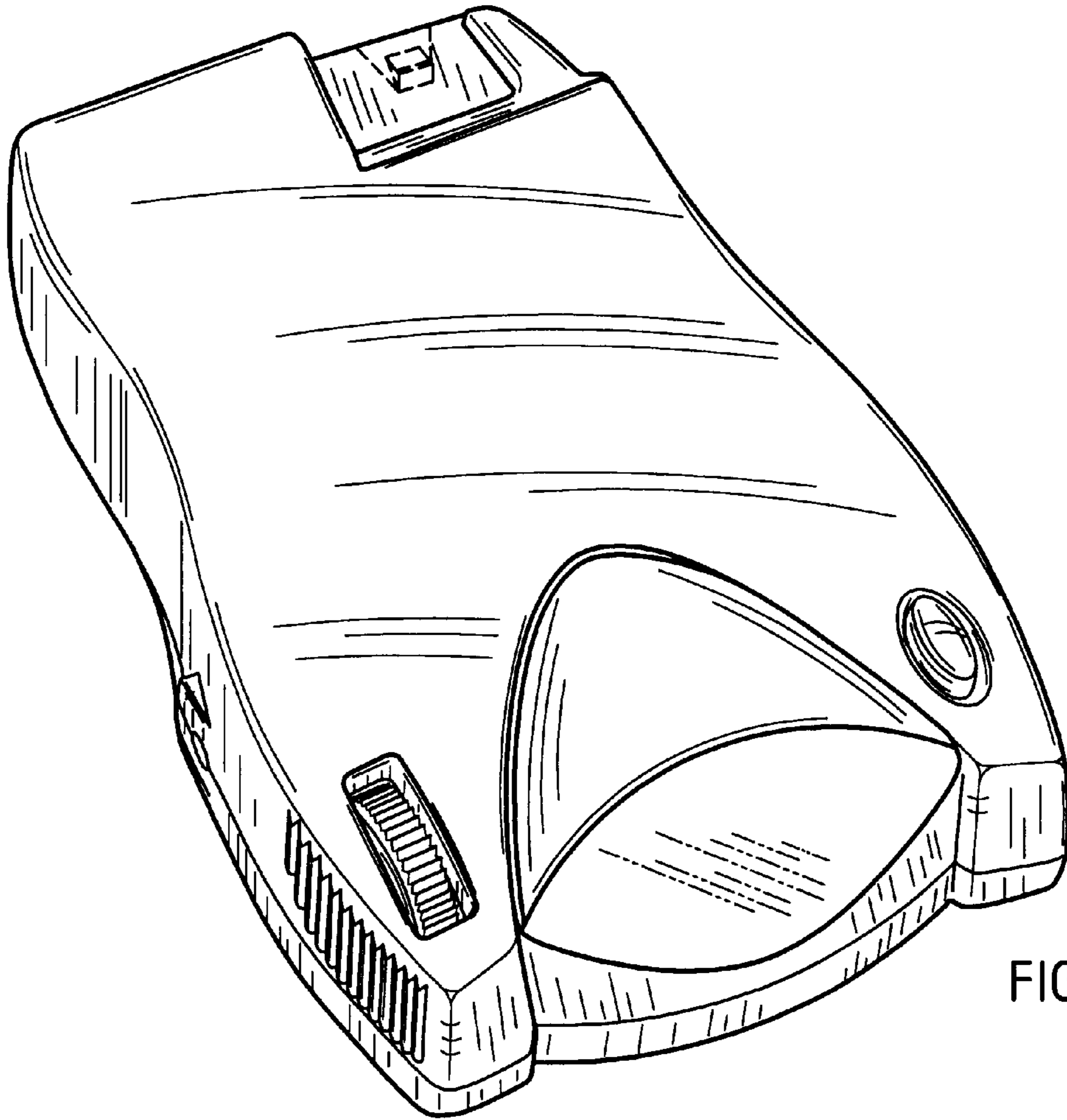


FIG. 1

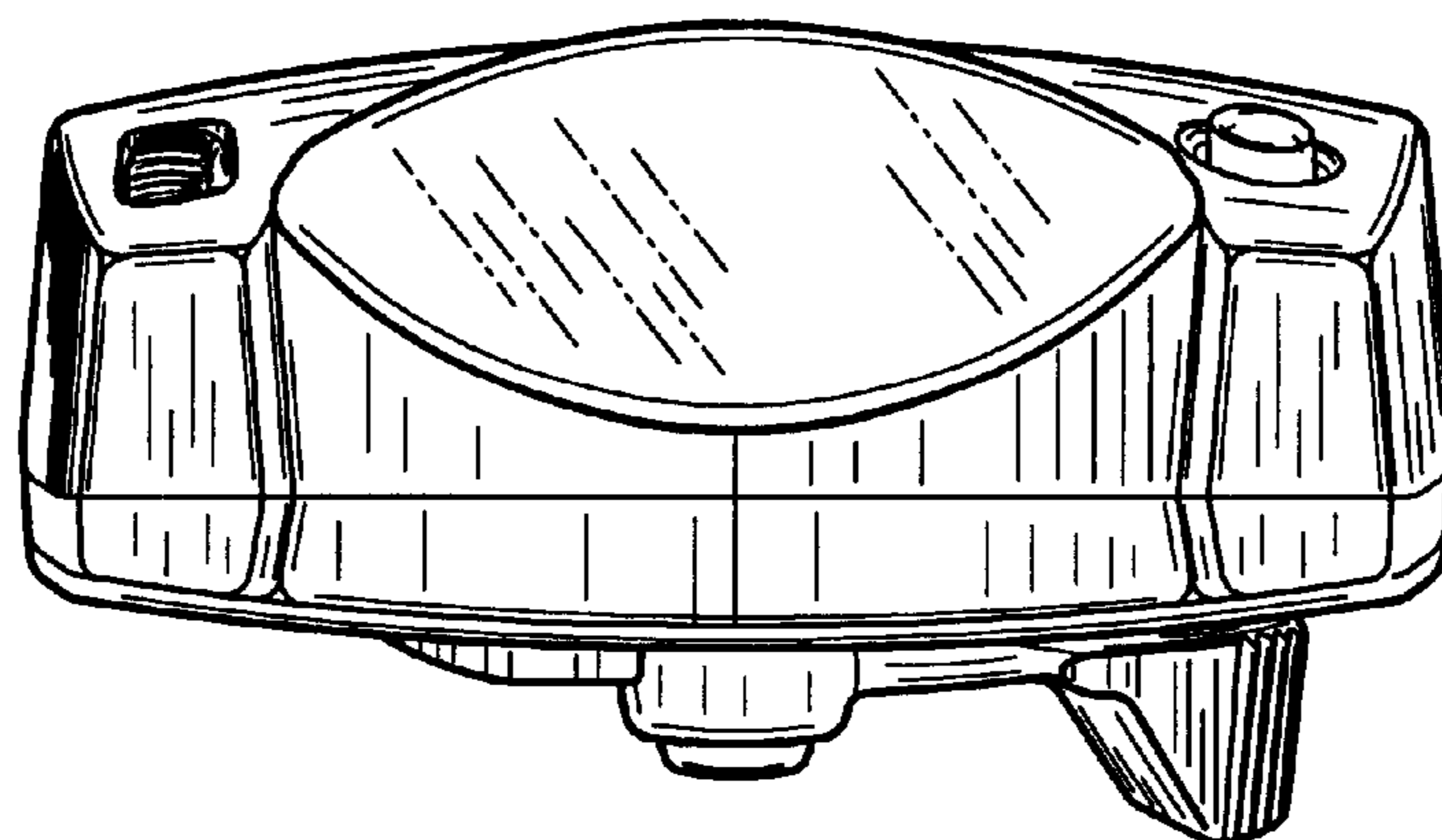


FIG. 2

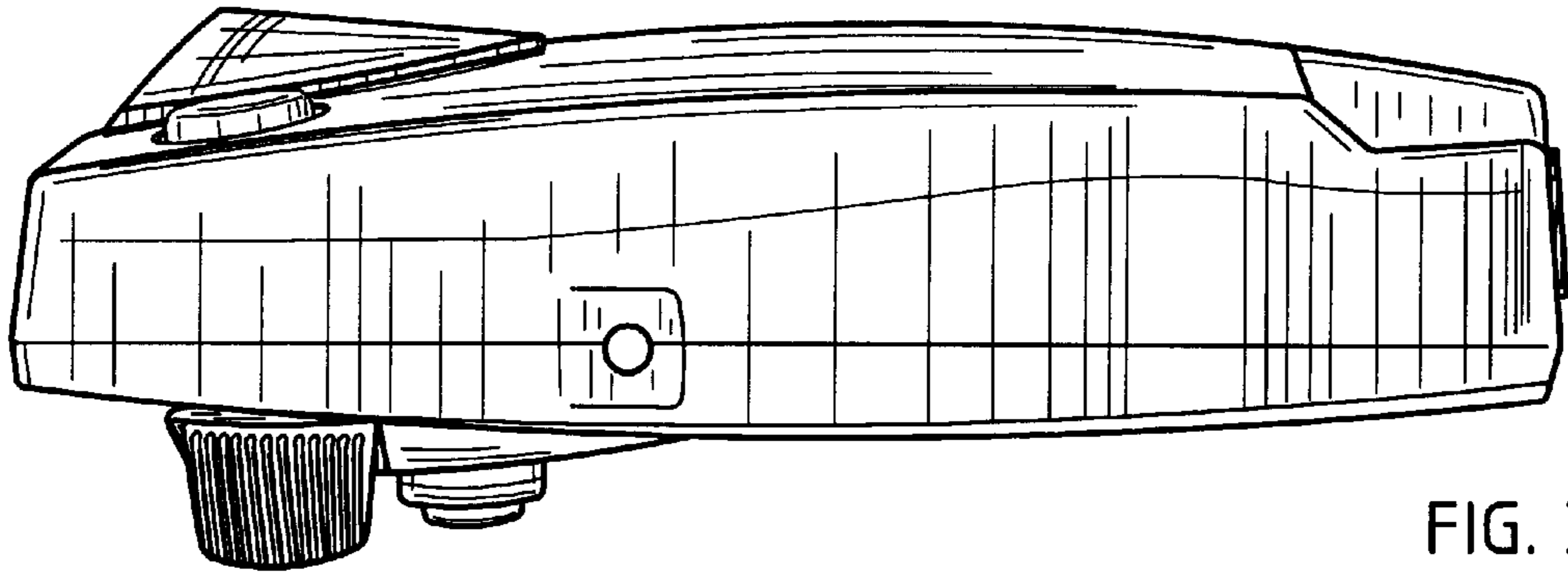


FIG. 3

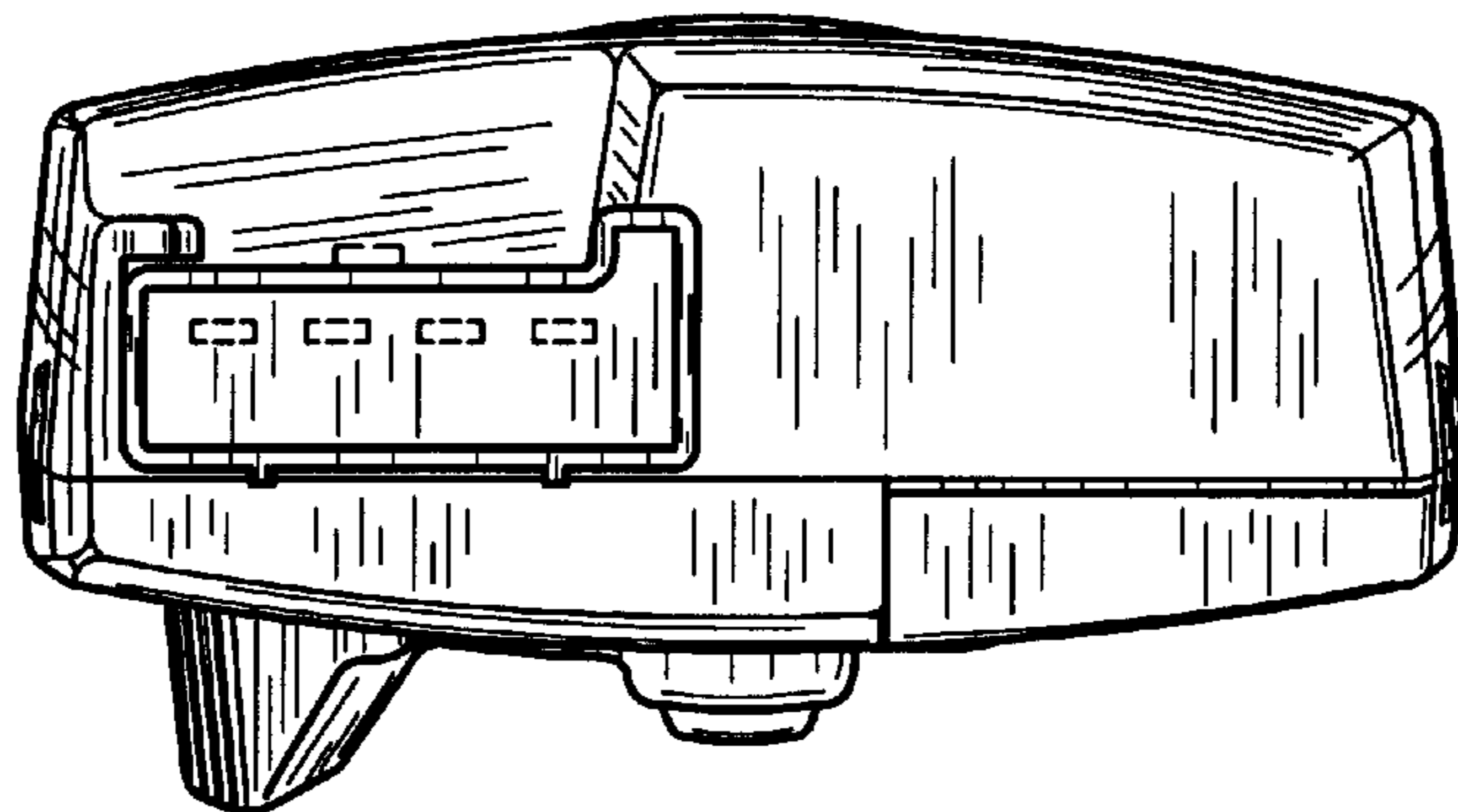


FIG. 4

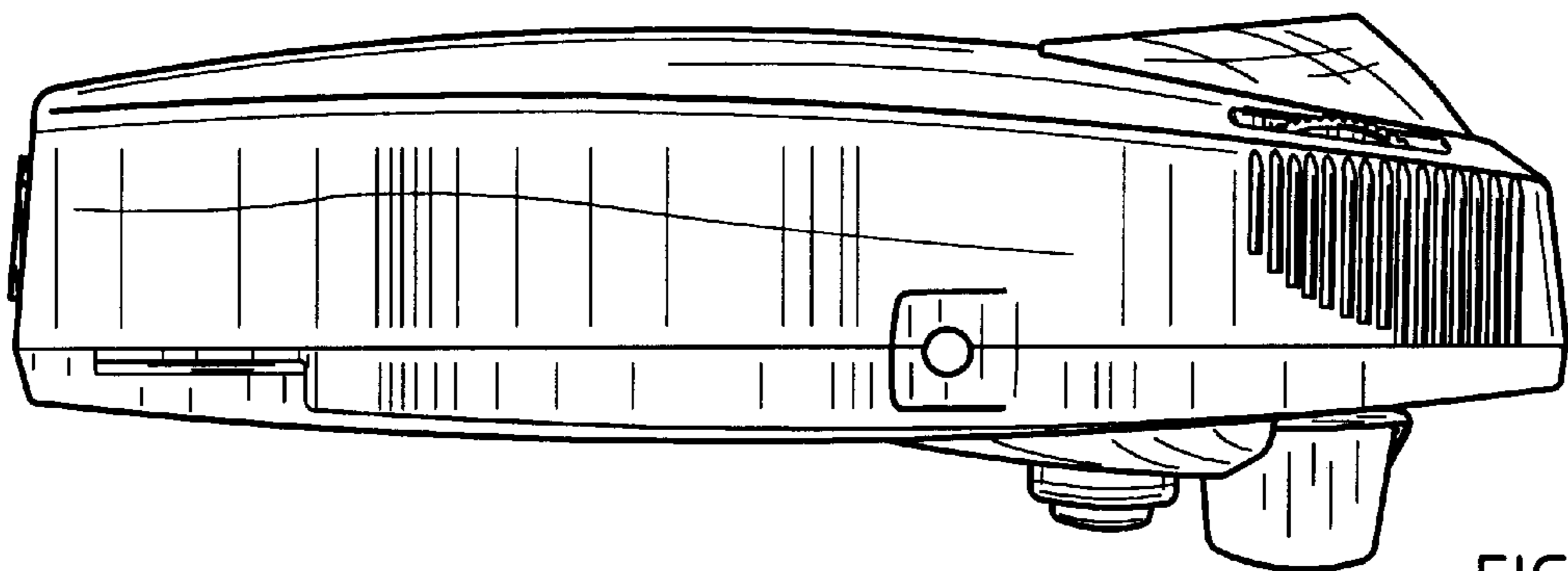


FIG. 5

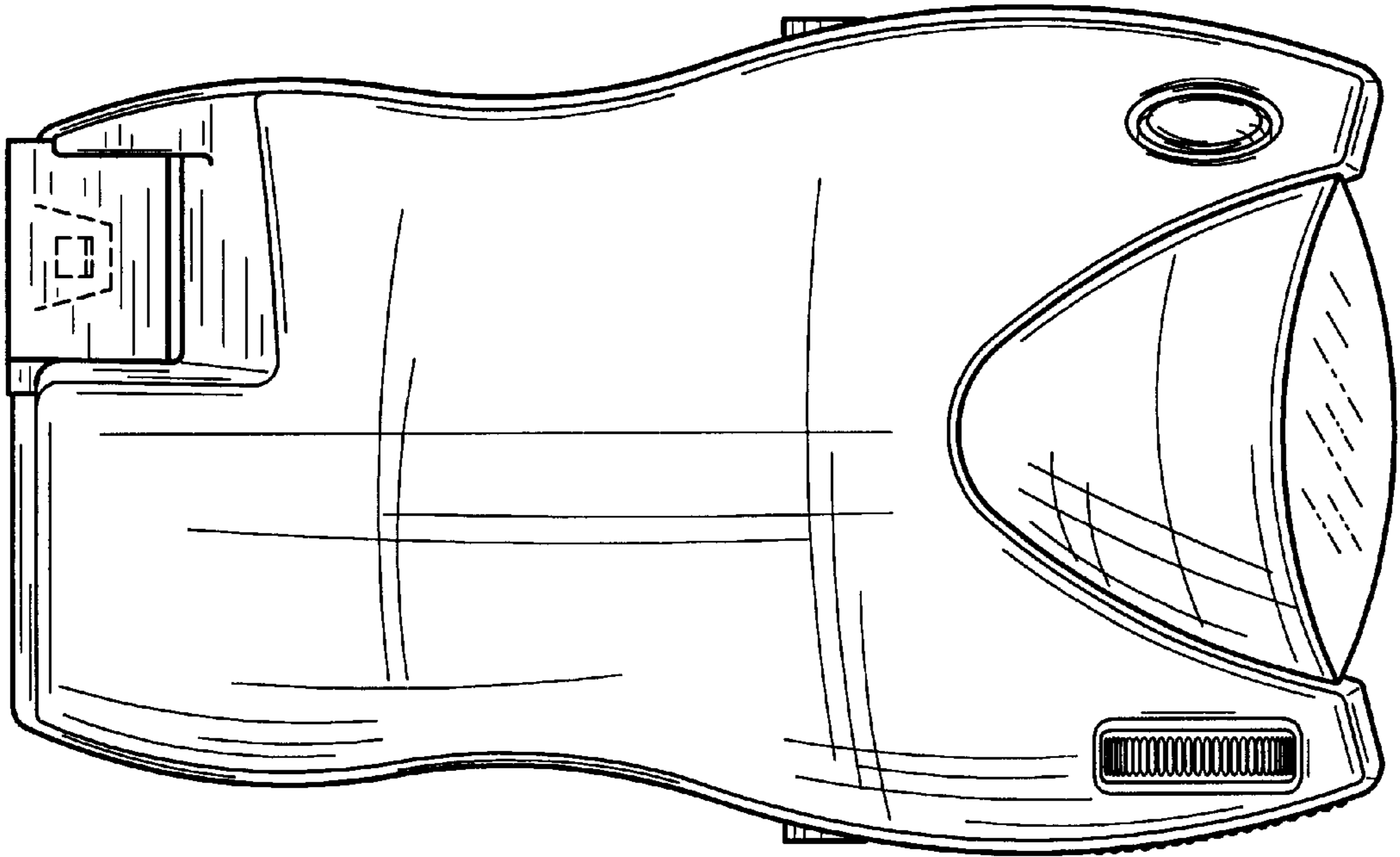


FIG. 6

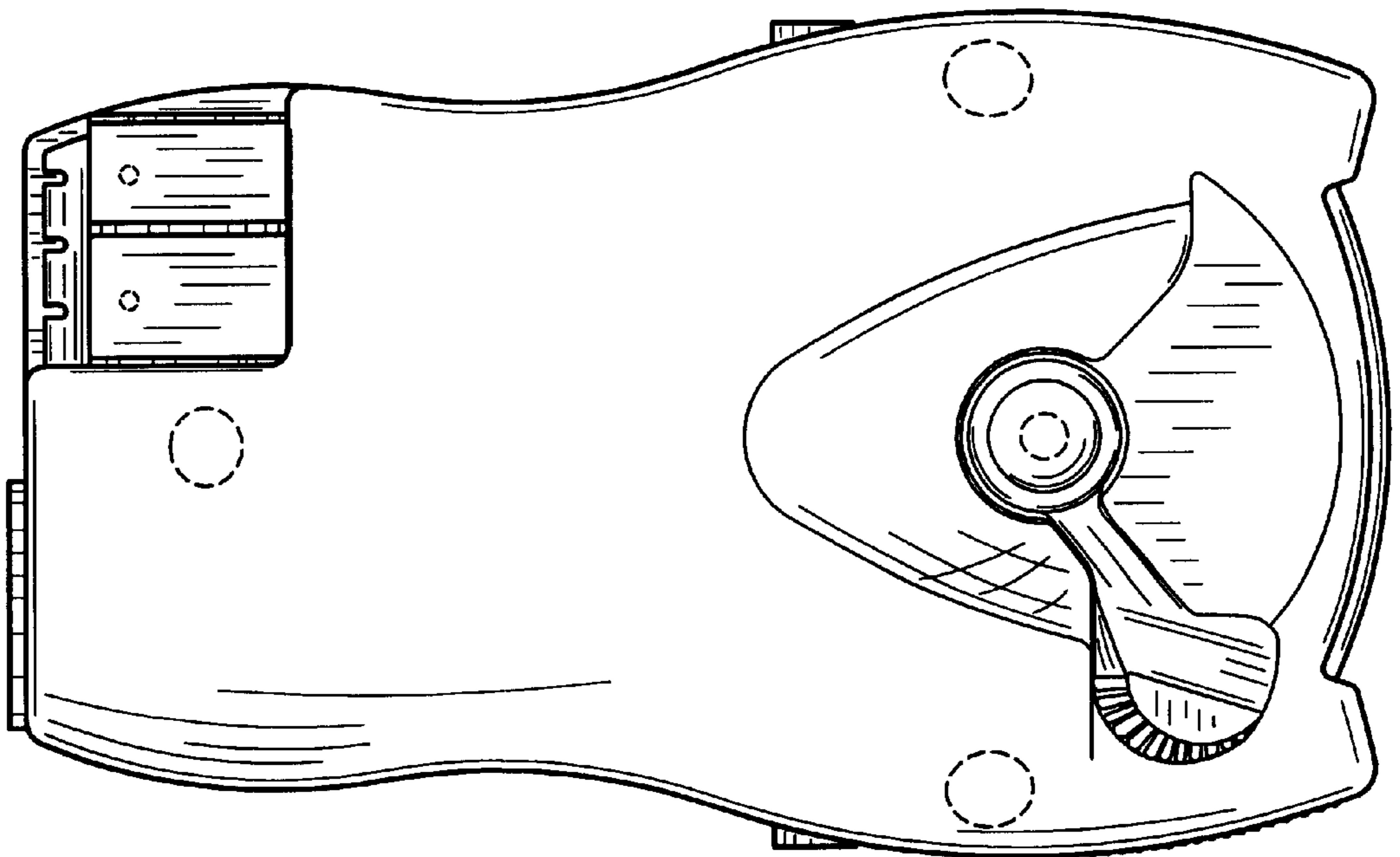


FIG. 7