



US00D468701S

(12) **United States Design Patent**
Byrne

(10) **Patent No.:** **US D468,701 S**
(45) **Date of Patent:** **** Jan. 14, 2003**

(54) **SINGLE-SIDED POWER AND DATA CENTER HOUSING**

(76) **Inventor:** **Norman R. Byrne**, 2736 Honey Creek, NE., Ada, MI (US) 49301

(**) **Term:** **14 Years**

(21) **Appl. No.:** **29/150,139**

(22) **Filed:** **Oct. 22, 2001**

(51) **LOC (7) Cl.** **13-03**

(52) **U.S. Cl.** **D13/156**

(58) **Field of Search** D13/139.1-139.8, D13/154-155, 173, 184; 174/48, 49, 53, 66, 67; 361/42, 641, 658; 439/131, 135, 136, 137, 140, 141, 142, 521, 528, 535, 536; 638/650, 651, 652, 692-695, 736

5,197,941 A	*	3/1993	Whitaker	600/27
5,230,552 A		7/1993	Schipper et al.		
5,231,562 A		7/1993	Pierce et al.		
5,351,173 A		9/1994	Byrne		
D353,363 S		12/1994	Toby		
D355,890 S		2/1995	Lentz		
D367,038 S	*	2/1996	Fladung et al.	D13/137.2
D370,622 S		6/1996	Byrne		
D372,018 S		7/1996	Byrne		
5,575,668 A		11/1996	Timmerman		
5,705,772 A		1/1998	Brown		
5,709,156 A		1/1998	Gevaert et al.		
D392,254 S		3/1998	Gevaert		
D405,763 S	*	2/1999	Crane et al.	D13/139.4
D407,374 S	*	3/1999	Byrne	D13/139.4
D408,011 S	*	4/1999	Joss	D13/137.2
6,017,228 A	*	1/2000	Verbeek et al.	439/142
D437,827 S	*	2/2001	Gershfeld	D13/139.4
D449,819 S	*	10/2001	Gershfeld	D13/139.4

* cited by examiner

Primary Examiner—Robert M. Spear
(74) *Attorney, Agent, or Firm*—Varnum, Riddering, Schmidt & Howlett LLP

(56) **References Cited**

U.S. PATENT DOCUMENTS

676,622 A	6/1901	Gochnauer
2,811,574 A	10/1957	Guerrero
2,861,857 A	11/1958	Lee et al.
3,131,512 A	5/1964	MacLeod, Jr.
3,353,137 A	11/1967	Miller
3,433,886 A	3/1969	Myers
3,622,684 A	11/1971	Press
3,646,244 A	2/1972	Cole
3,794,956 A	2/1974	Dubreuil
3,892,095 A	7/1975	Vankuik et al.
3,972,579 A	8/1976	Kohaut
3,992,070 A	11/1976	Dunn et al.
4,059,321 A	11/1977	Rasmussen et al.
4,272,643 A	6/1981	Carroll et al.
4,372,629 A	2/1983	Propst et al.
4,511,198 A	4/1985	Mitchell et al.
4,551,577 A	11/1985	Byrne
4,747,788 A	5/1988	Byrne
4,792,881 A	12/1988	Wilson et al.
4,828,513 A	5/1989	Morrison et al.
4,984,982 A	1/1991	Brownlie et al.
5,023,396 A	6/1991	Bartee et al.
5,114,365 A	5/1992	Thompson et al.
5,122,069 A	6/1992	Brownlie et al.

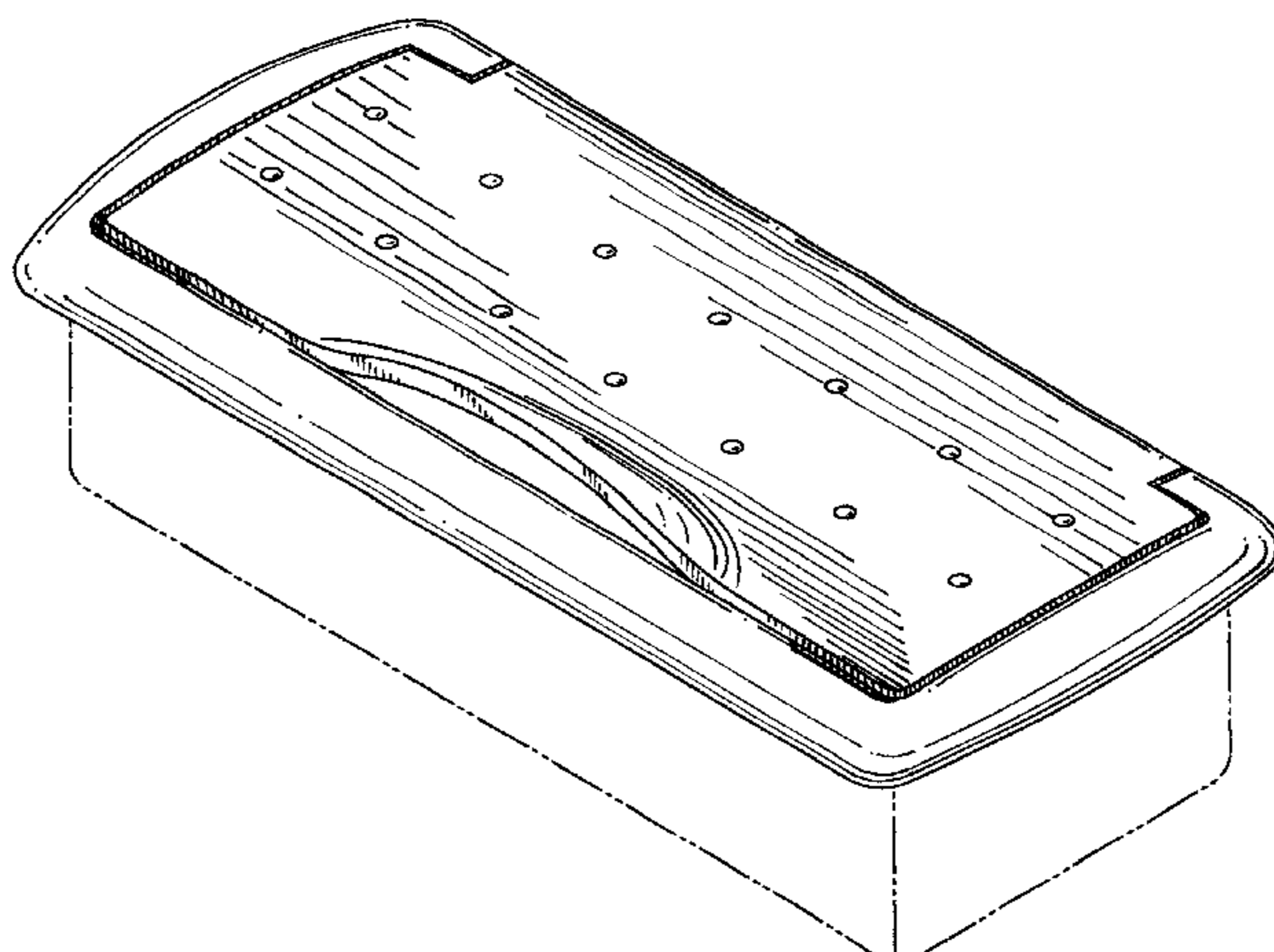
(57) **CLAIM**

I claim, the ornamental design for single-sided power and data center housing, as shown and described.

DESCRIPTION

FIG. 1 is a perspective view of a single-sided power and data center housing according to my design, and showing the cover of my design in a closed position; FIG. 2 is a top plan view thereof; FIG. 3 is a front elevational view thereof; FIG. 4 is a left side elevational view thereof; FIG. 5 is a perspective view of my design in the same orientation as in FIG. 1, but with the cover in an open position; and, FIG. 6 is a left side elevational view of my design, with the cover in an open position as in FIG. 5. The broken lines in the drawings depict environmental structure, which forms no part of the claimed design.

1 Claim, 3 Drawing Sheets



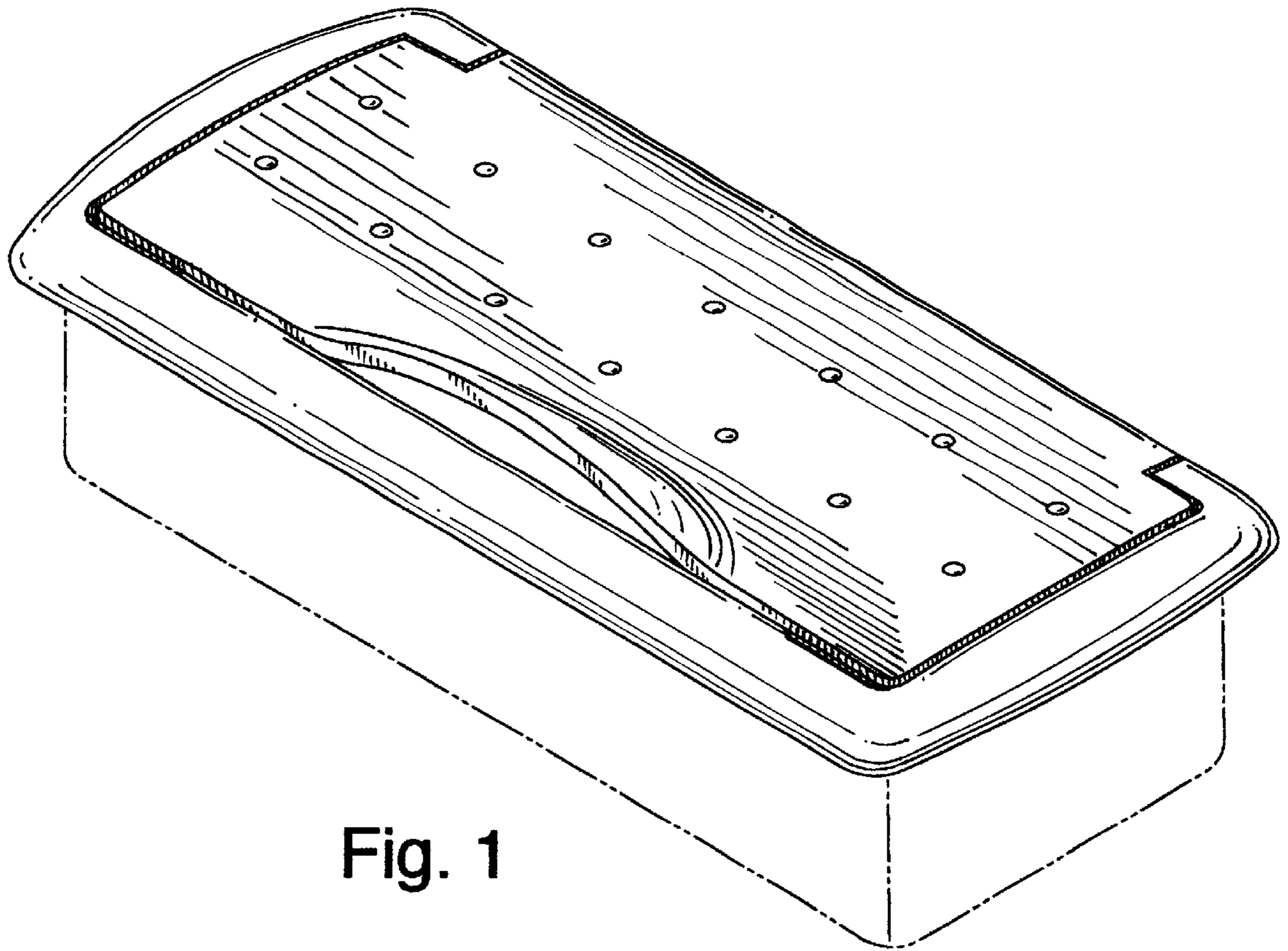


Fig. 1

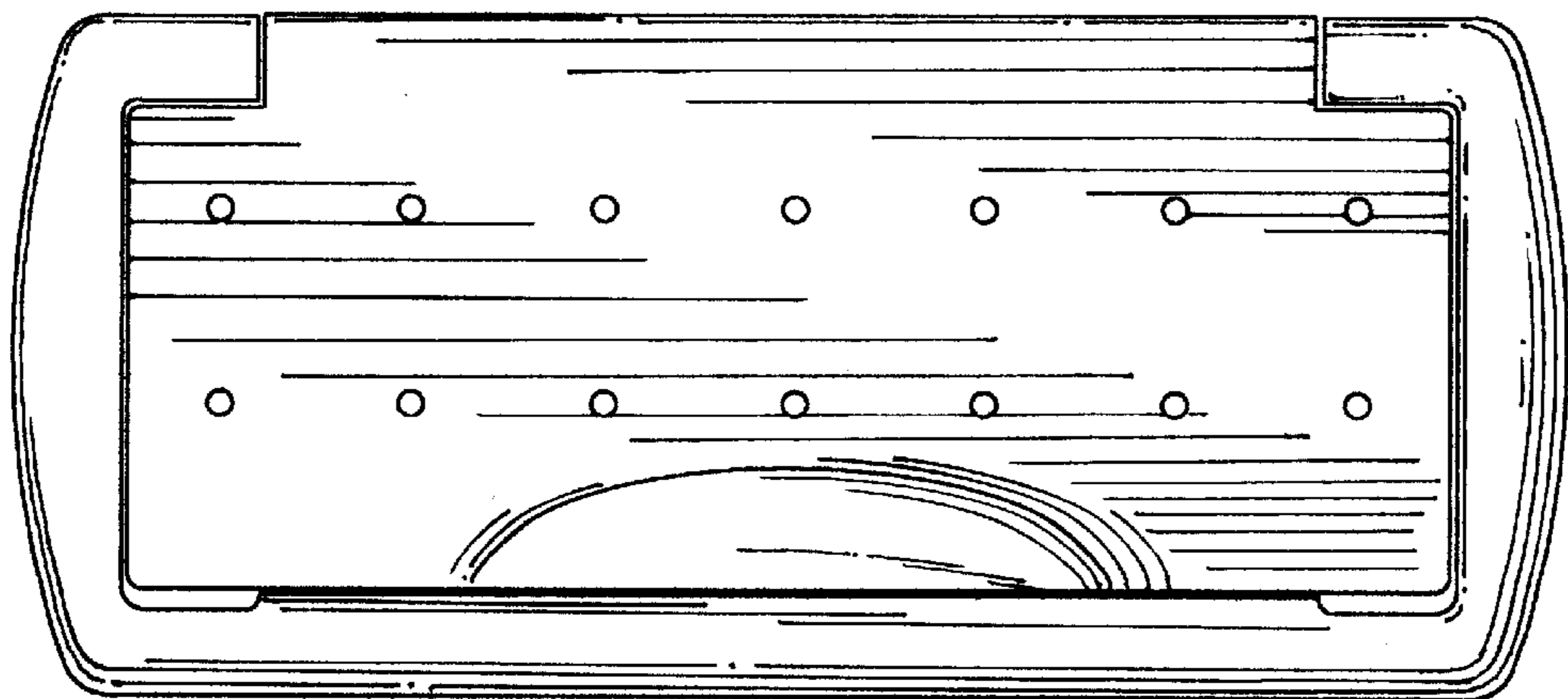


Fig. 2

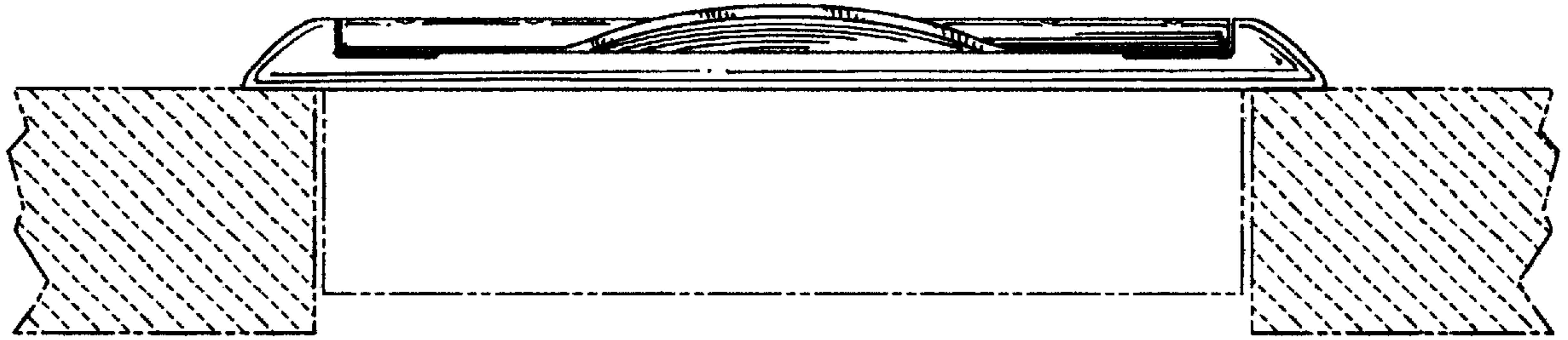


Fig. 3

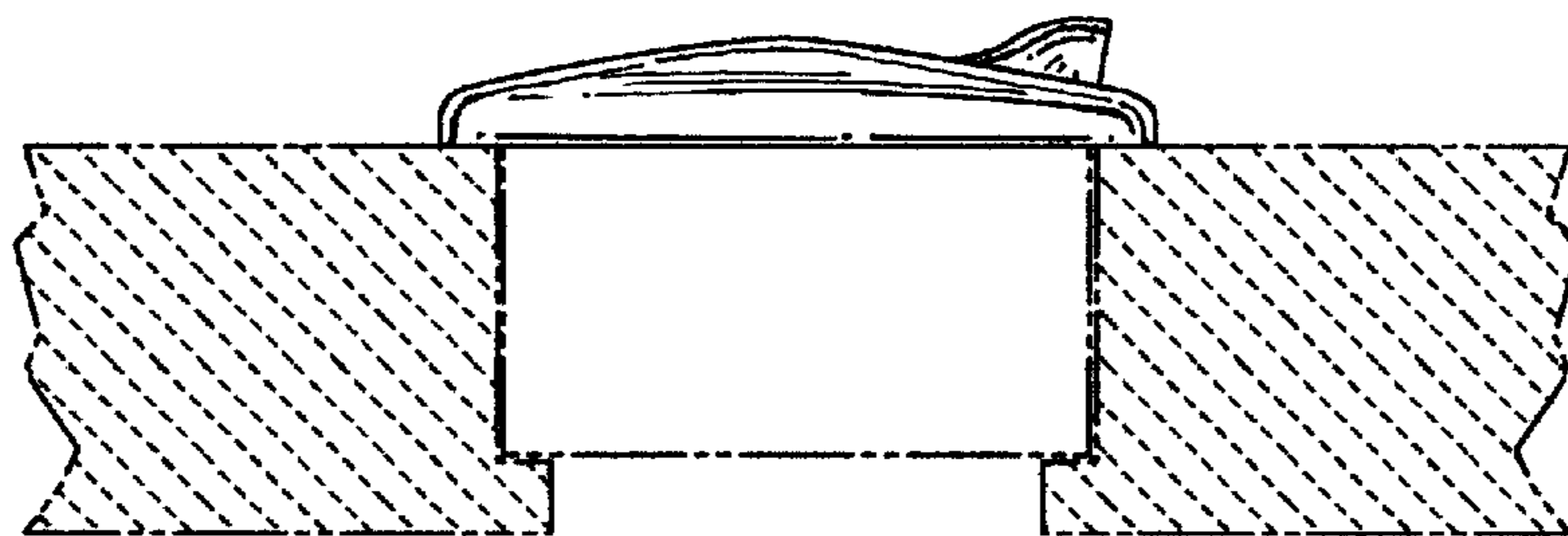


Fig. 4

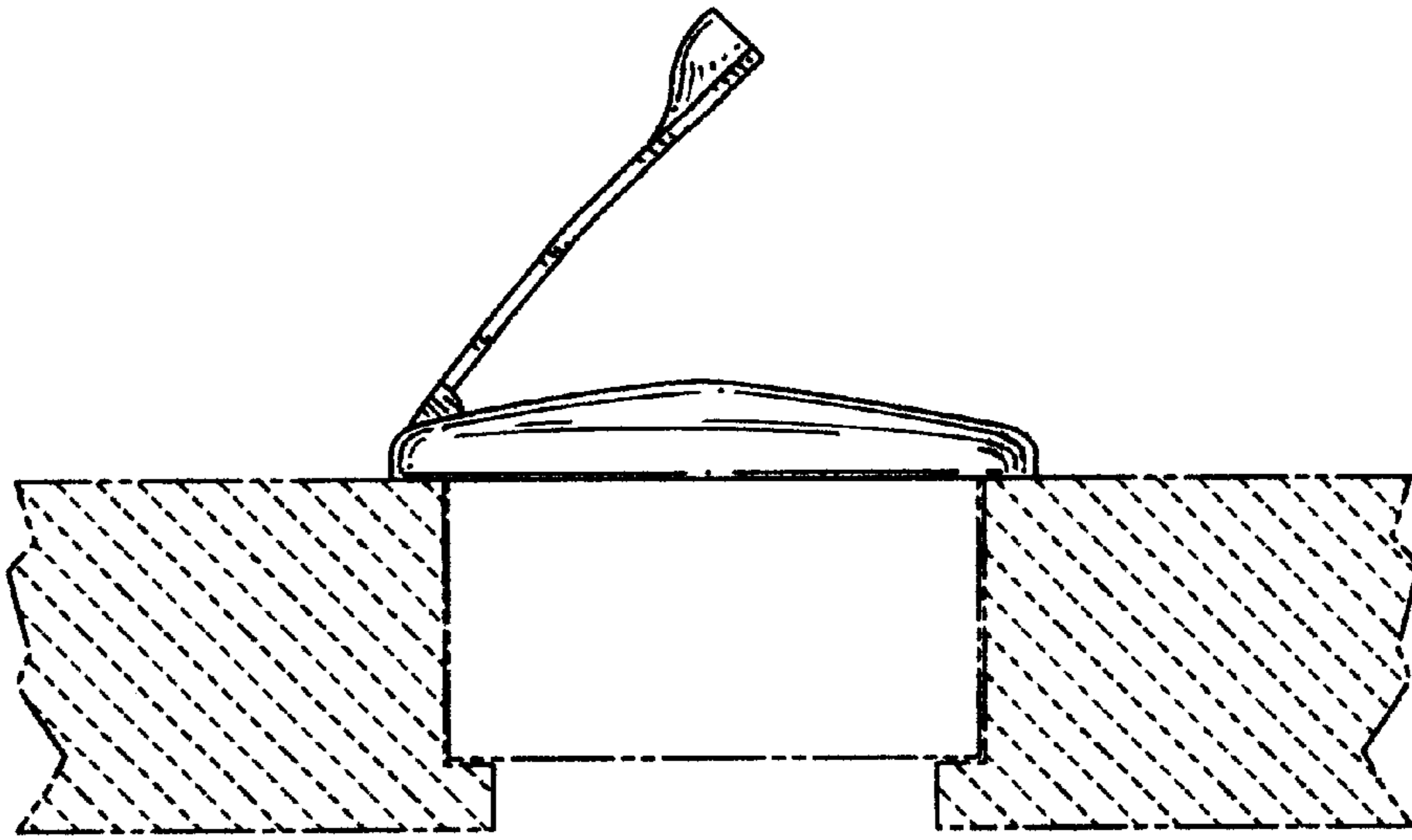


Fig. 6

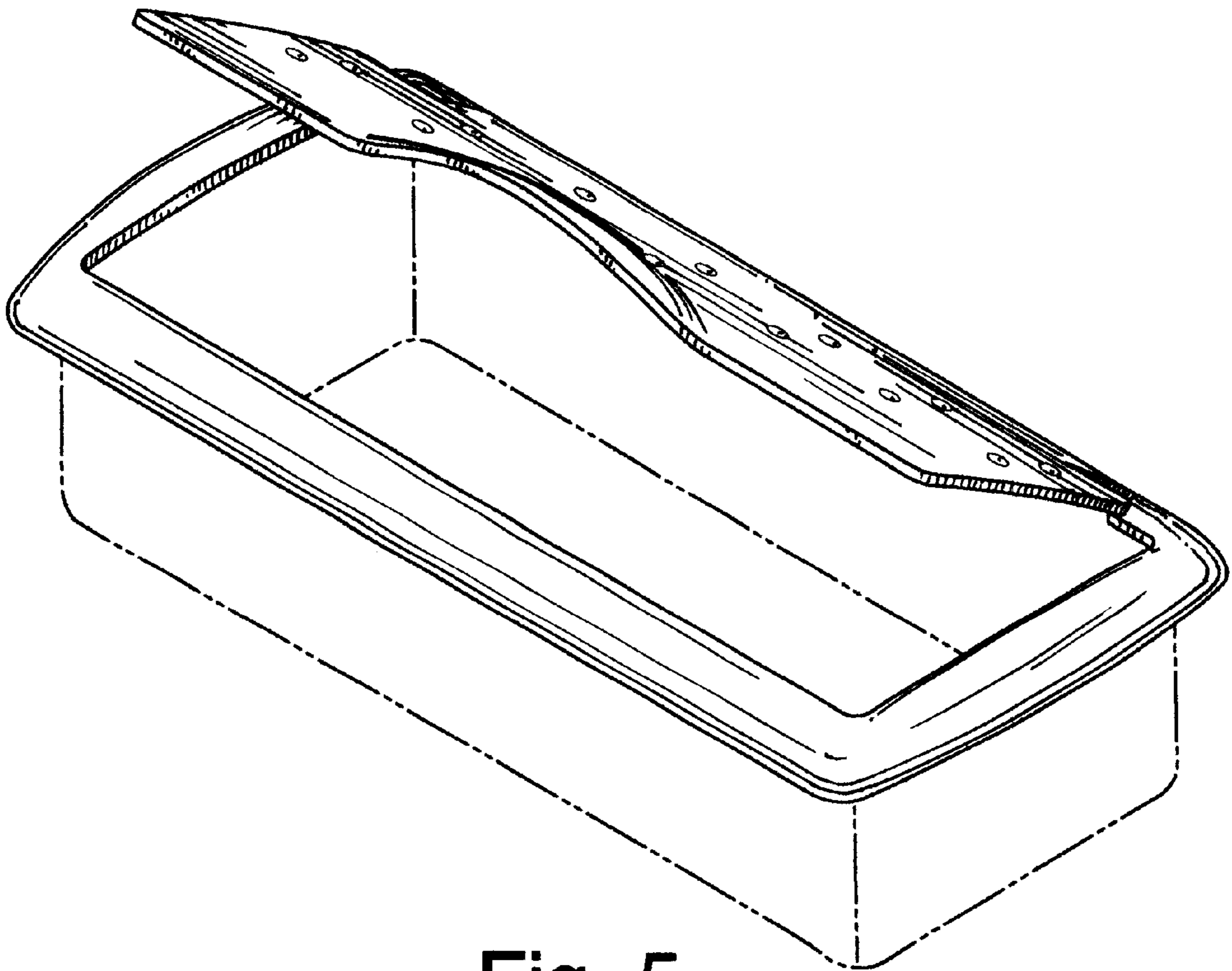


Fig. 5