



US00D468698S

(12) **United States Design Patent**
Hwang

(10) **Patent No.: US D468,698 S**

(45) **Date of Patent: ** *Jan. 14, 2003**

(54) **CASING FOR OPTICAL TRANSCEIVER MODULE**

(75) **Inventor: Jenq-Yih Hwang, Irvine, CA (US)**

(73) **Assignee: Hon Hai Precision Ind. Co. Ltd, Taipei Hsien (TW)**

(*) **Notice:** This patent is subject to a terminal disclaimer.

(**) **Term: 14 Years**

(21) **Appl. No.: 29/150,456**

(22) **Filed: Nov. 16, 2001**

(51) **LOC (7) Cl. 13-03**

(52) **U.S. Cl. D13/154**

(58) **Field of Search D13/133, 152, D13/154, 184, 199; D10/80, 103; 174/50.52, 50.54, 52.1, 53; 206/721, 722, 724; 361/679, 724, 752, 816, 821; 439/76.1, 567, 609, 651; 455/300**

(56) **References Cited**

U.S. PATENT DOCUMENTS

| | | | | | | |
|-----------|----|---|---------|-----------------|-------|---------|
| 5,559,676 | A | * | 9/1996 | Gessaman | | 361/752 |
| 5,726,864 | A | * | 3/1998 | Copeland et al. | | 361/800 |
| 5,738,544 | A | * | 4/1998 | Davis | | 439/607 |
| 5,755,595 | A | * | 5/1998 | Davis et al. | | 439/607 |
| 5,797,770 | A | * | 8/1998 | Davis et al. | | 439/607 |
| 6,047,172 | A | * | 4/2000 | Babineau et al. | | 455/300 |
| 6,095,862 | A | * | 8/2000 | Doye et al. | | 439/607 |
| 6,111,760 | A | * | 8/2000 | Nixon | | 361/814 |
| 6,113,428 | A | * | 9/2000 | Yeh | | 439/609 |
| 6,139,367 | A | * | 10/2000 | Yeh | | 439/609 |
| 6,206,730 | B1 | * | 3/2001 | Avery et al. | | 439/609 |

| | | | | | | |
|-----------|----|---|---------|---------------|-------|----------|
| 6,241,534 | B1 | * | 6/2001 | Neer et al. | | 439/76.1 |
| 6,290,540 | B1 | * | 9/2001 | Nishio et al. | | 439/607 |
| 6,305,955 | B1 | * | 10/2001 | Billman | | 439/138 |
| 6,328,603 | B1 | * | 12/2001 | Chang | | 439/620 |
| 6,351,394 | B1 | * | 2/2002 | Cunningham | | 361/818 |
| 6,358,066 | B1 | * | 3/2002 | Gilliland | | 439/76.1 |

* cited by examiner

Primary Examiner—Robert M. Spear
(74) *Attorney, Agent, or Firm*—Wei Te Chung

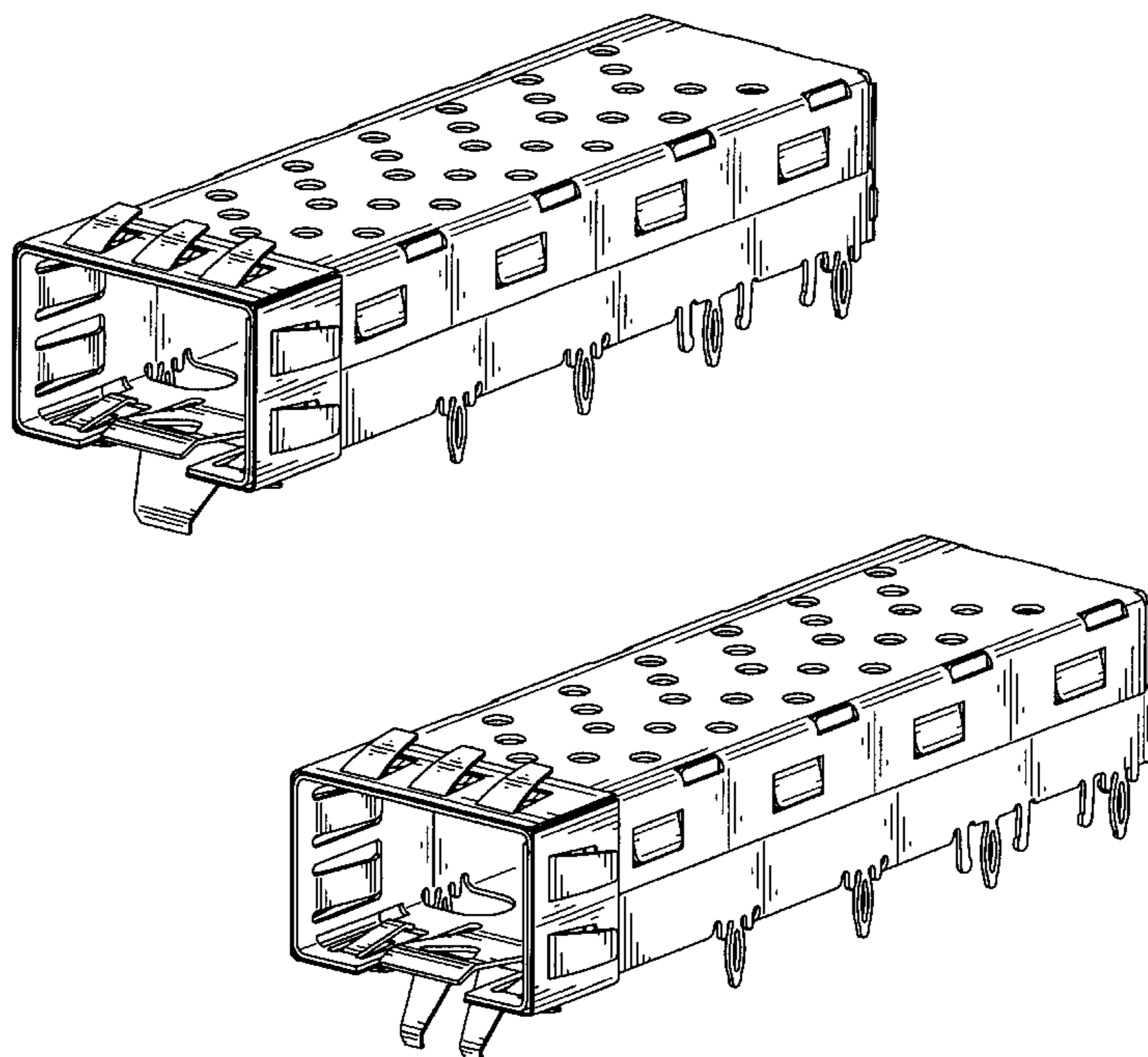
(57) **CLAIM**

The ornamental design for a casing for optical transceiver module, as shown and described.

DESCRIPTION

FIG. 1 is a perspective view of a casing for optical transceiver module showing a preferred embodiment of my new design;
 FIG. 2 is a front view of FIG. 1;
 FIG. 3 is a rear view of FIG. 1;
 FIG. 4 is a left side elevational view of FIG. 1;
 FIG. 5 is a right side elevational view of FIG. 1;
 FIG. 6 is a top plan view of FIG. 1;
 FIG. 7 is a bottom plan view of FIG. 1;
 FIG. 8 is a perspective view of a casing for optical transceiver module showing an alternative embodiment of my new design;
 FIG. 9 is a front view of FIG. 8;
 FIG. 10 is a rear view of FIG. 8;
 FIG. 11 is a left side elevational view of FIG. 8;
 FIG. 12 is a right side elevational view of FIG. 8;
 FIG. 13 is a top plan view of FIG. 8; and,
 FIG. 14 is a bottom plan view of FIG. 8.

1 Claim, 10 Drawing Sheets



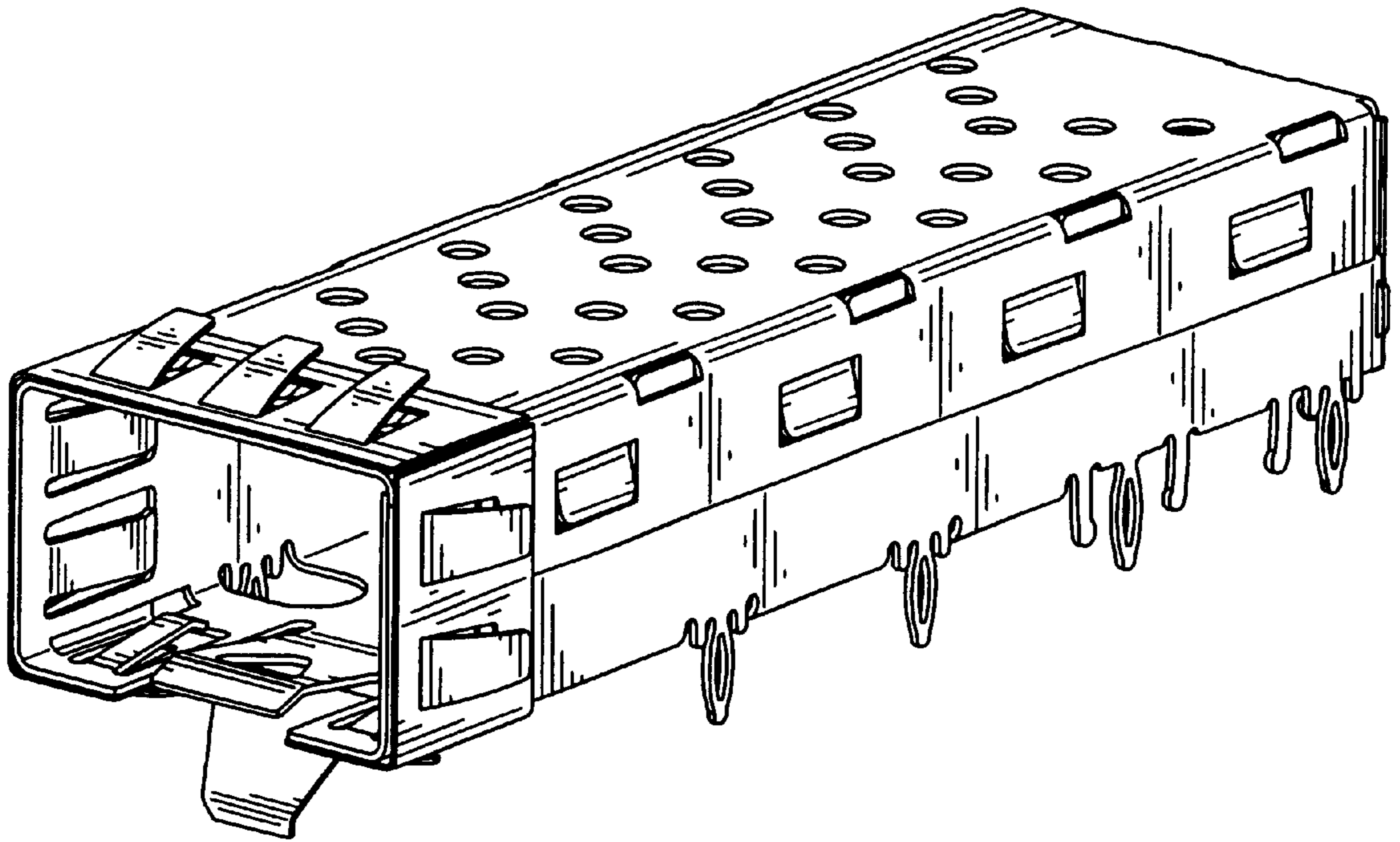


FIG. 1

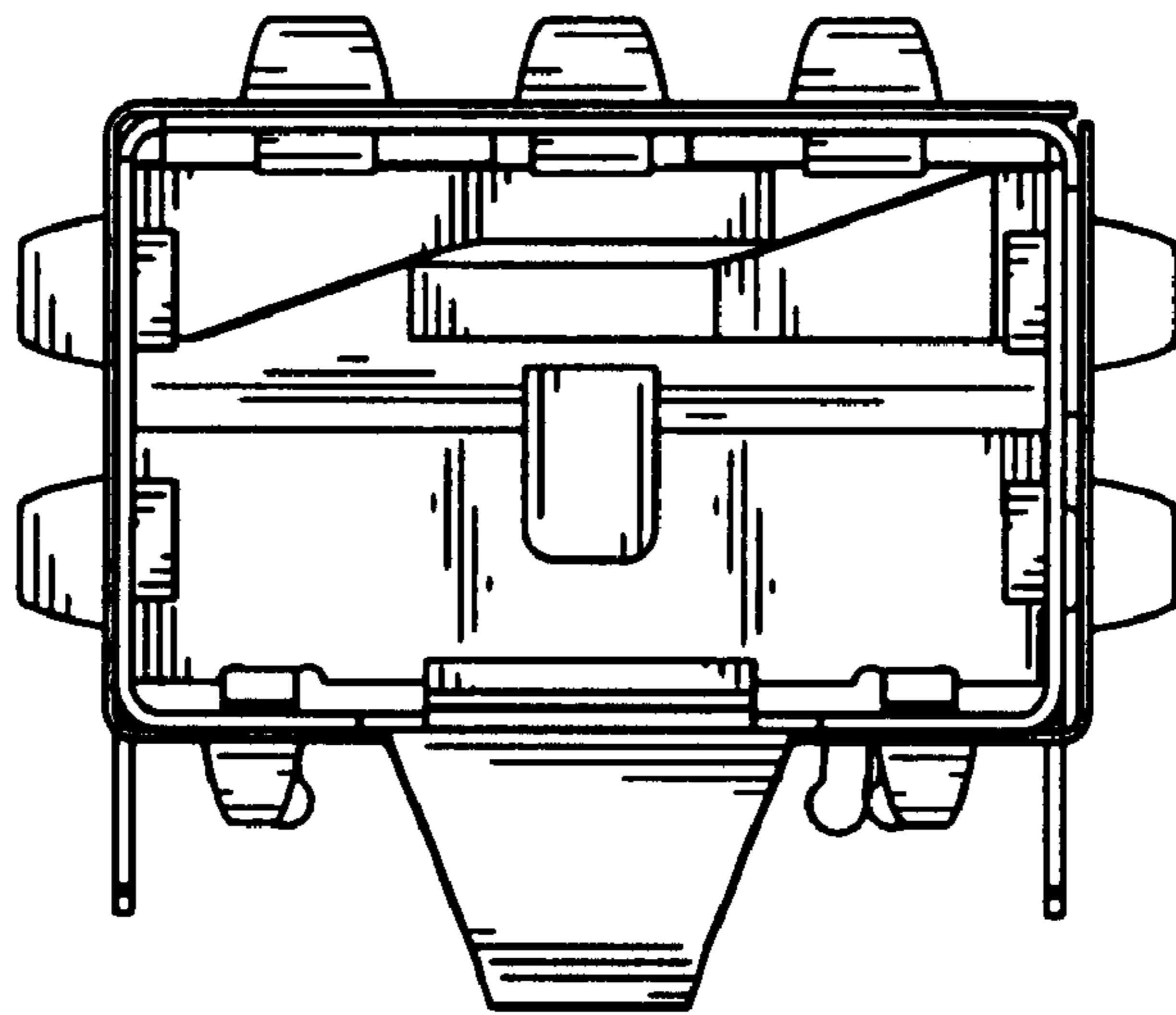


FIG. 2

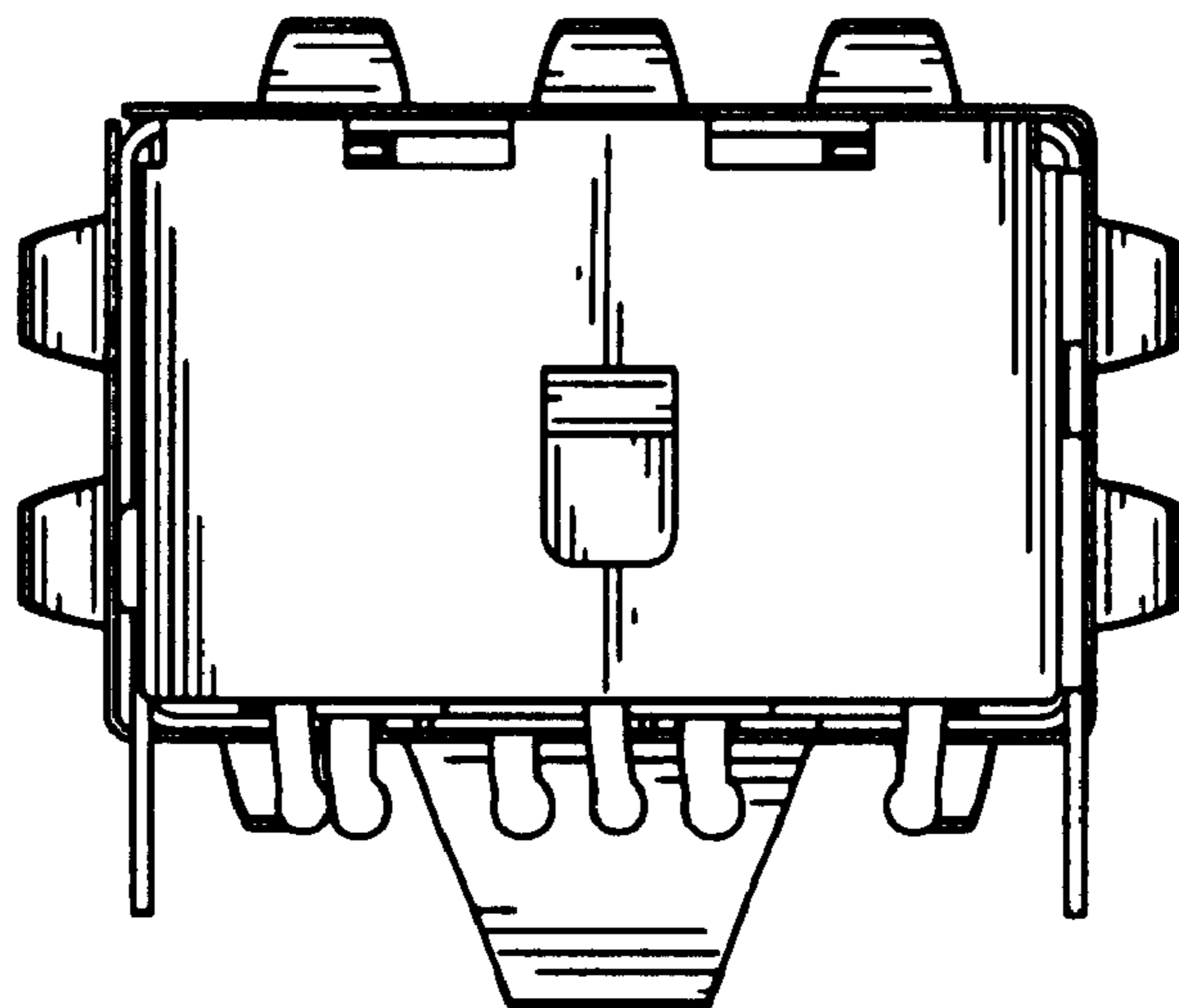


FIG. 3

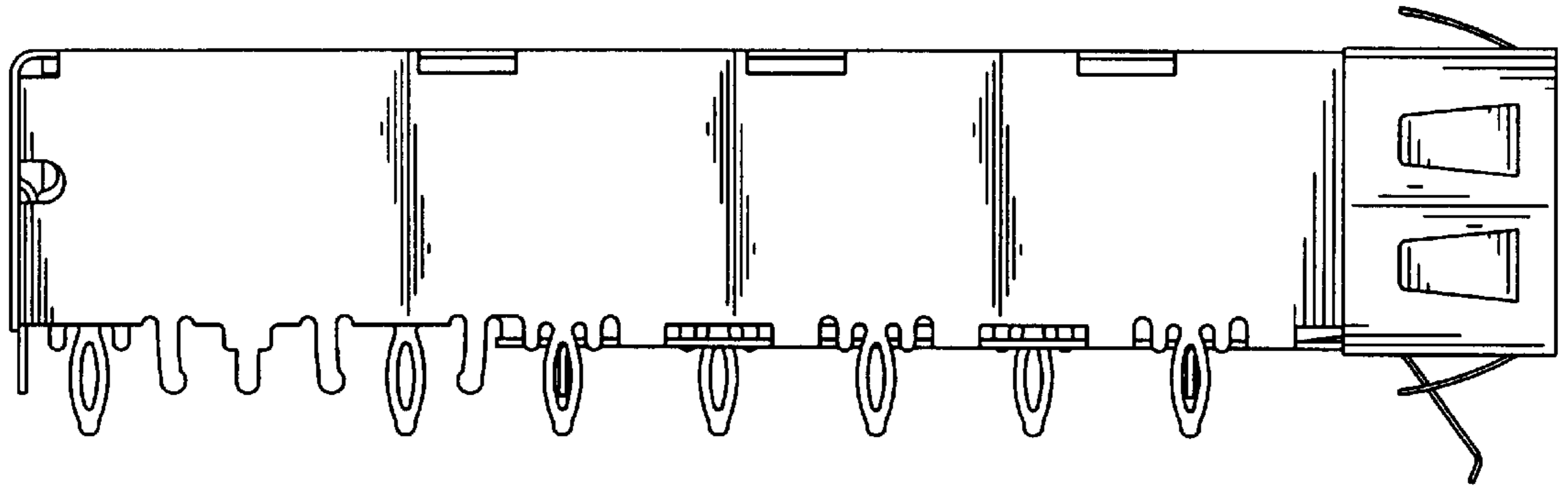


FIG. 4

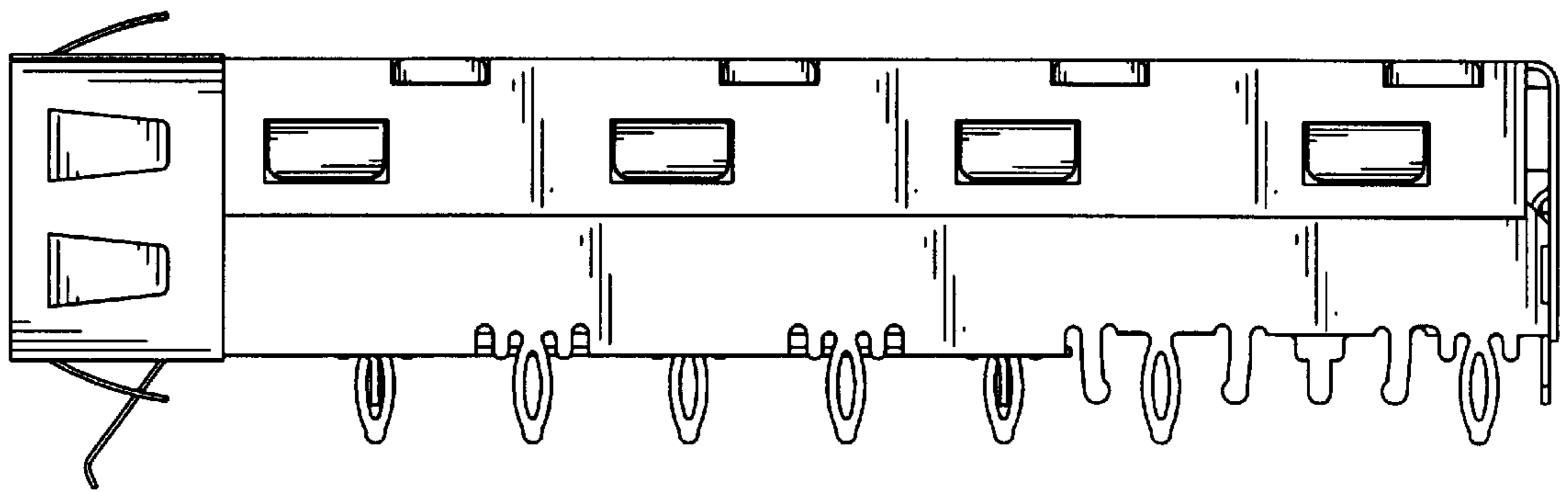


FIG. 5

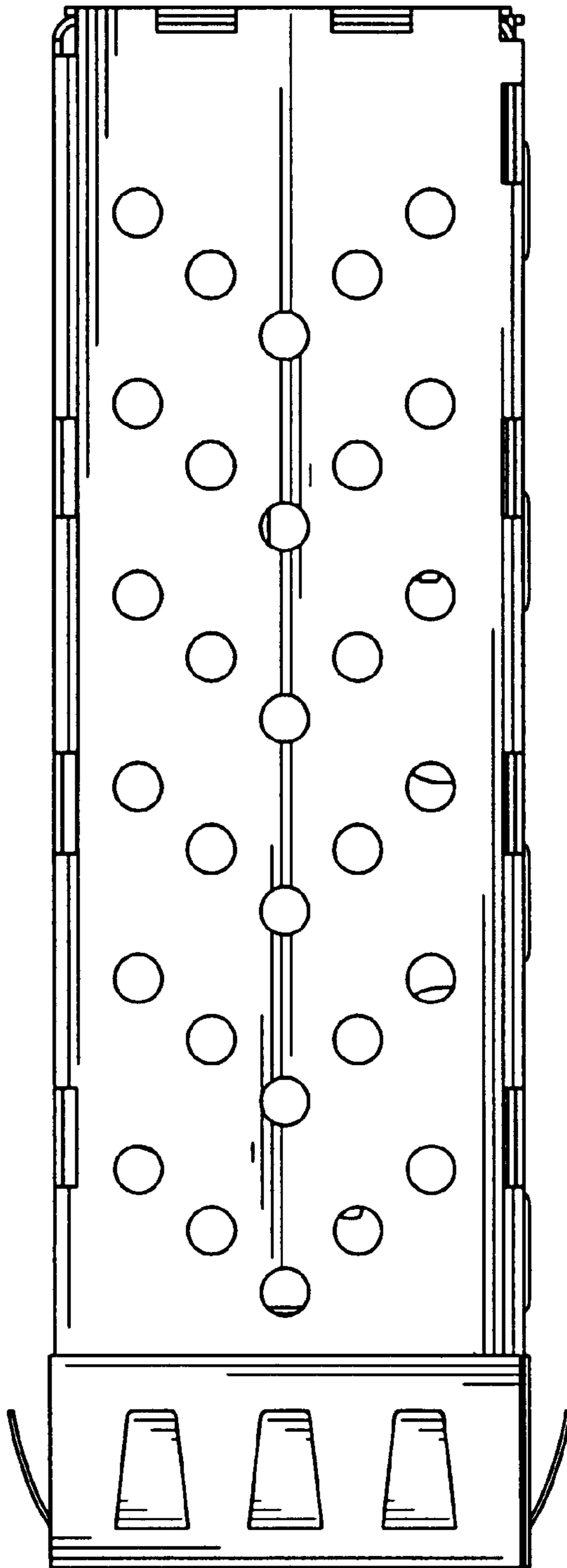


FIG. 6

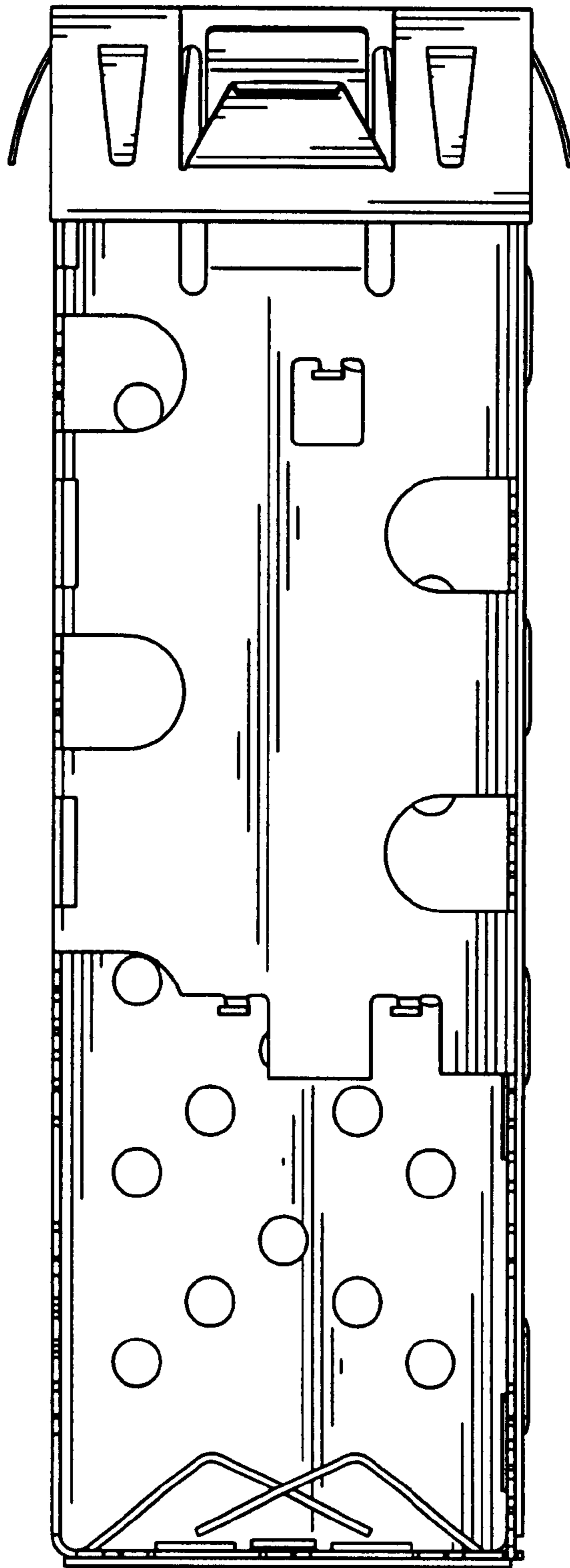


FIG. 7

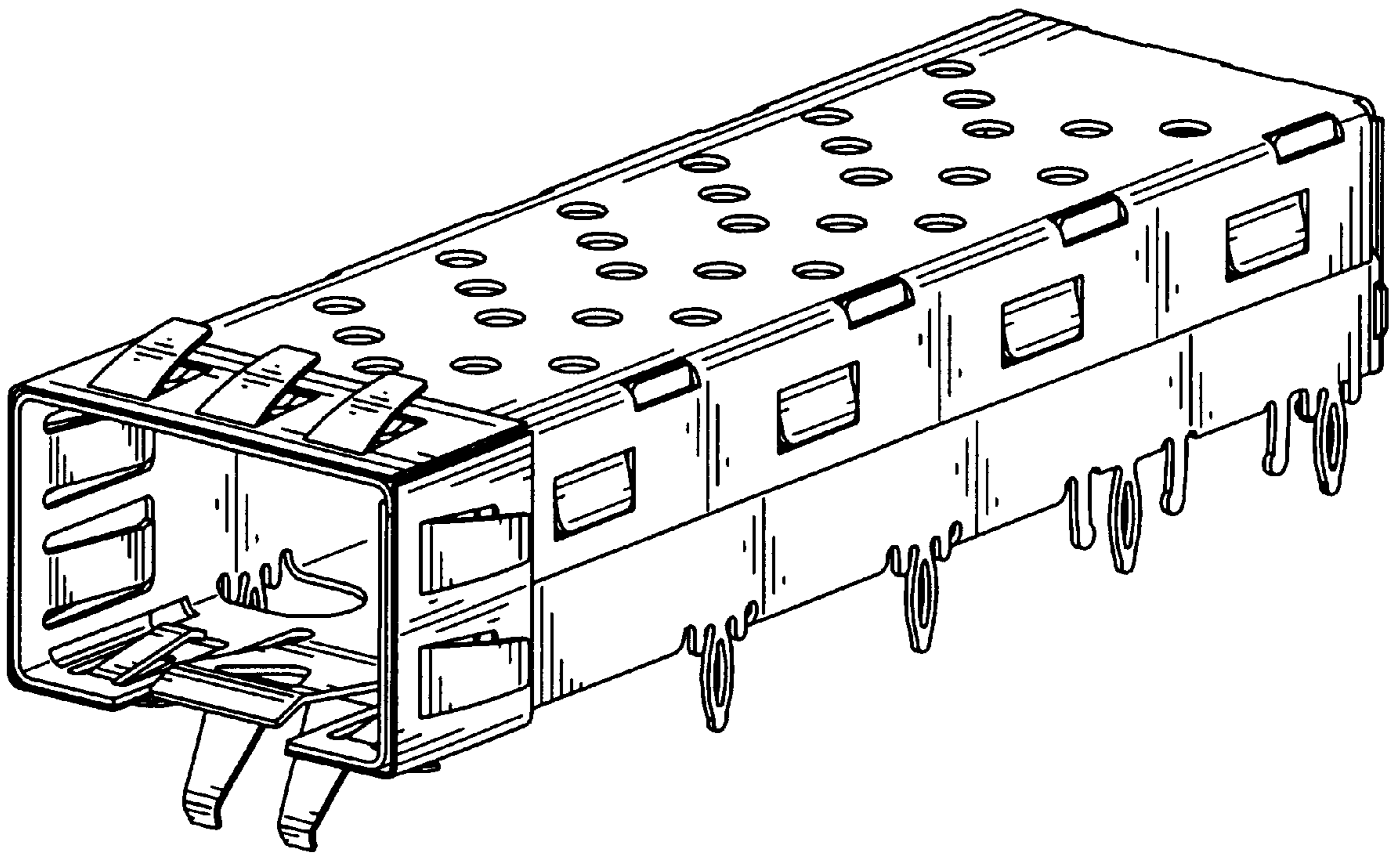


FIG. 8

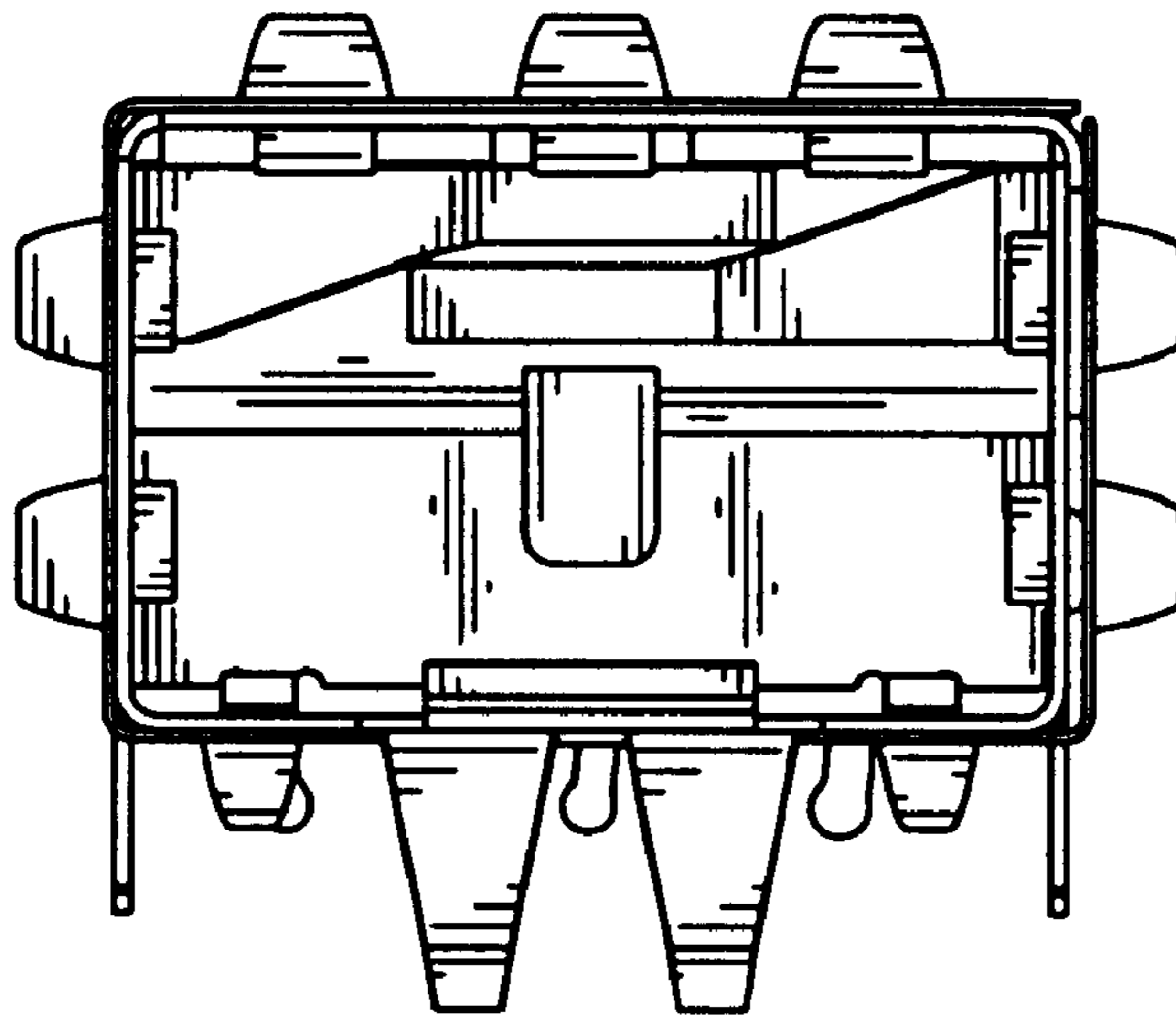


FIG. 9

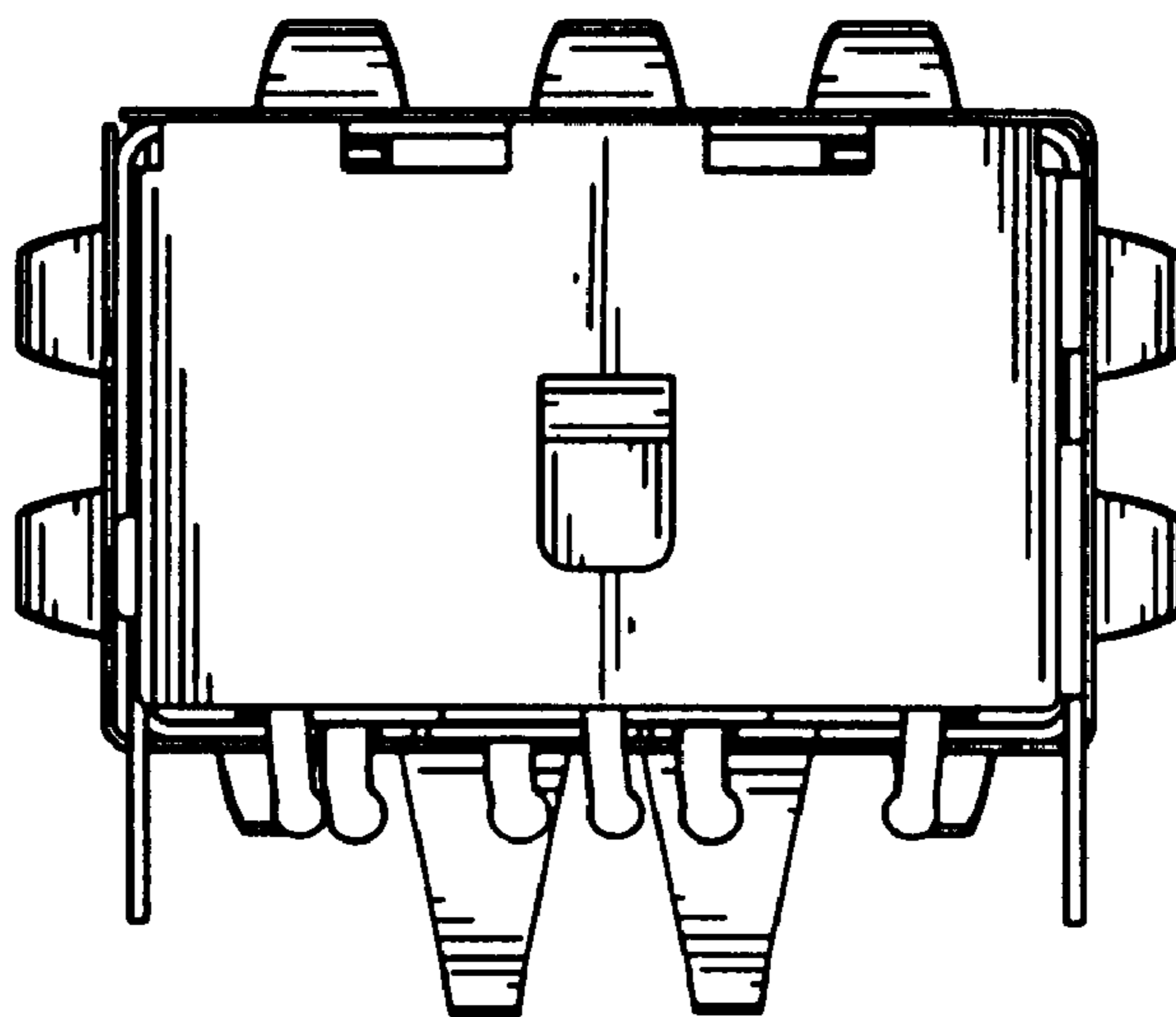


FIG. 10

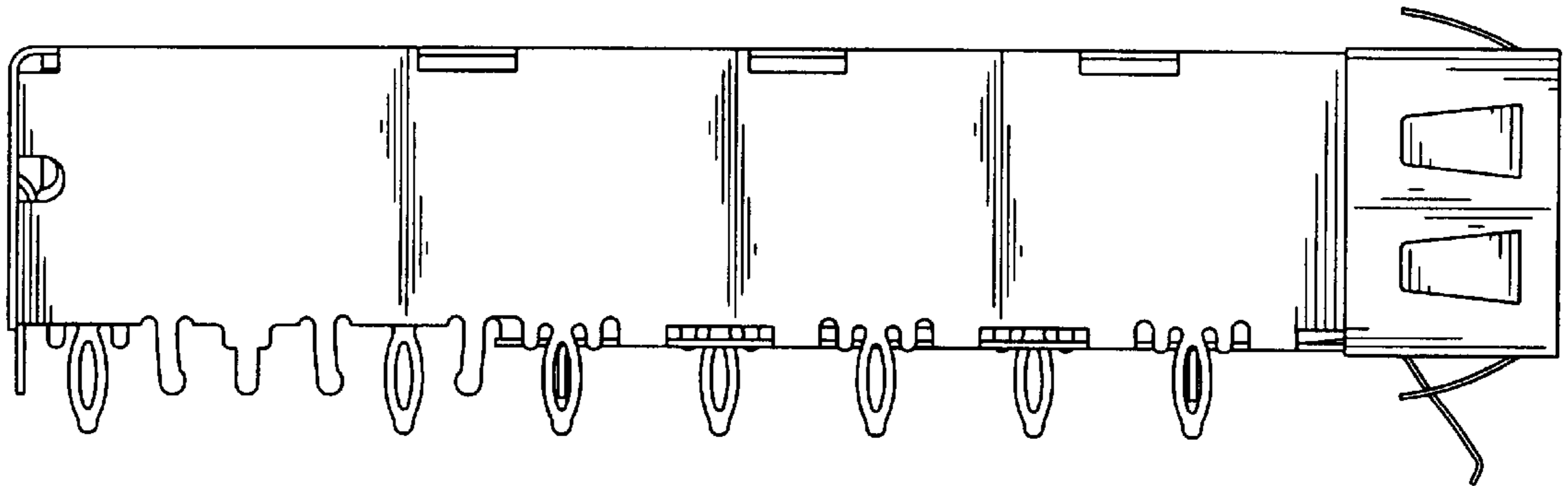


FIG. 11

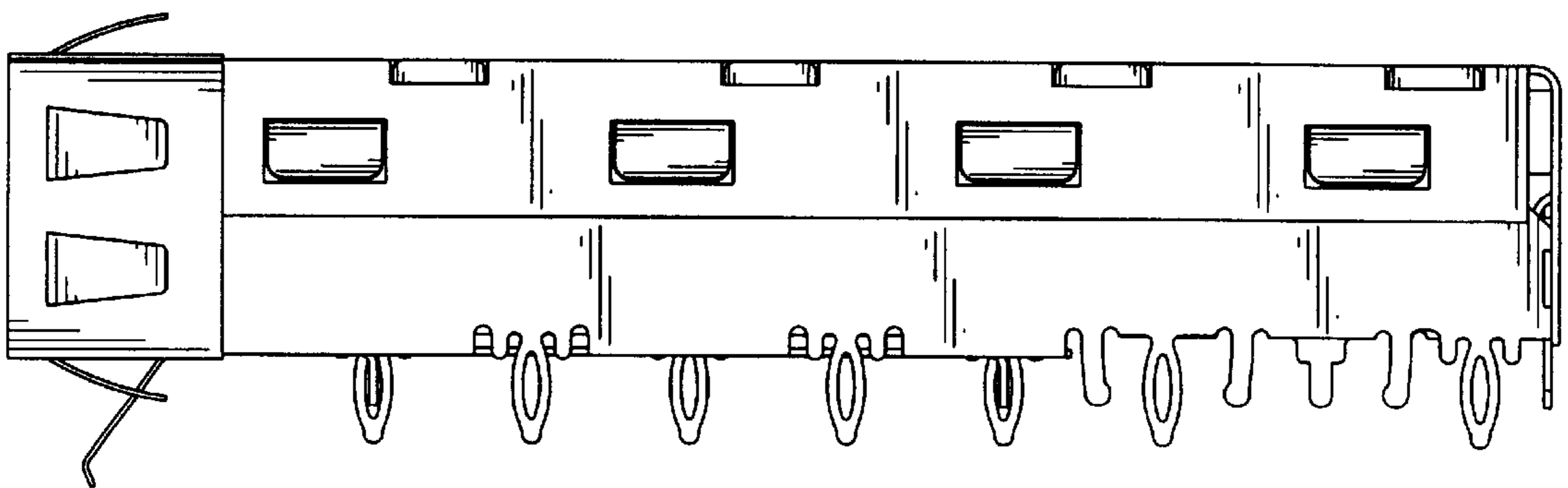


FIG. 12

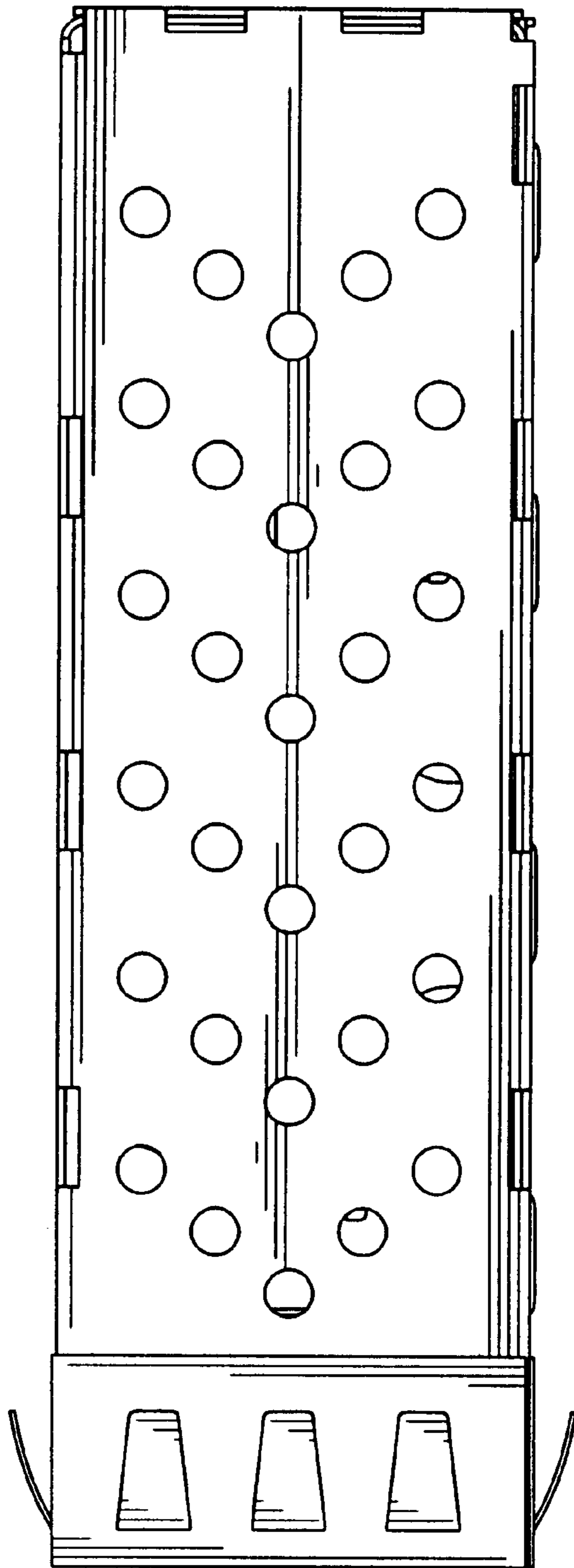


FIG. 13

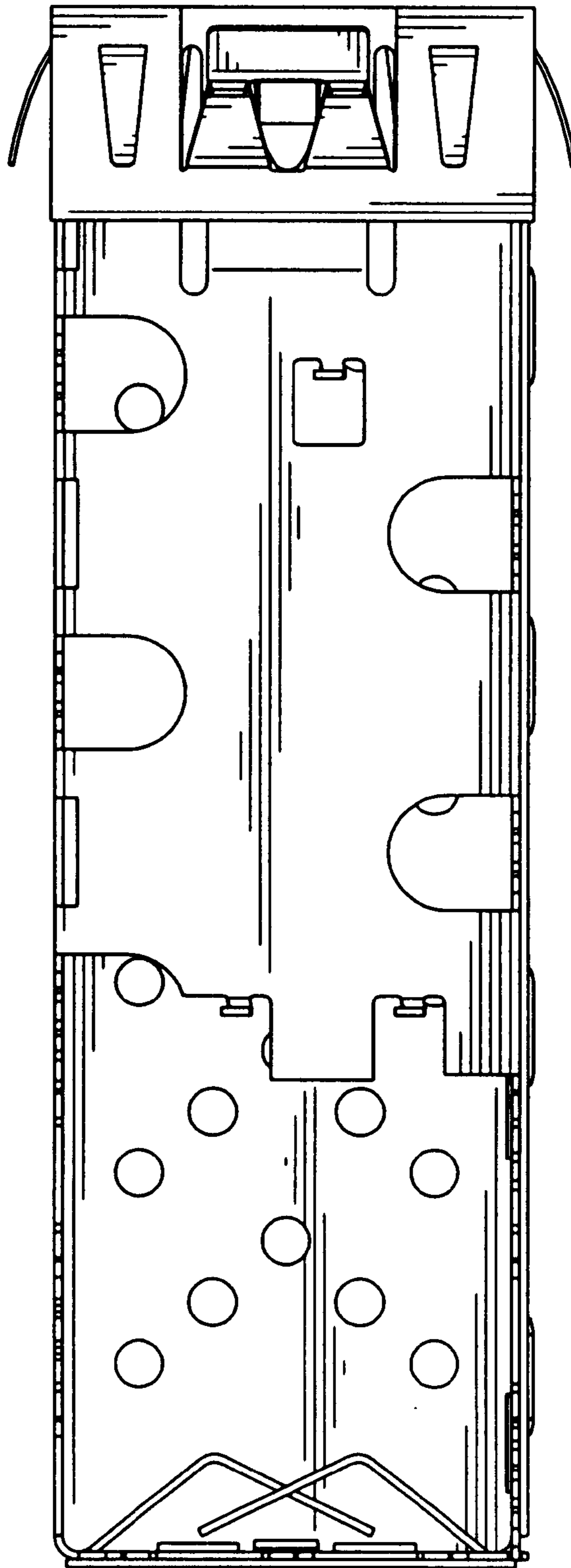


FIG. 14