



US00D468697S

(12) **United States Design Patent**  
**Straub, Jr.**

(10) **Patent No.:** **US D468,697 S**

(45) **Date of Patent:** **\*\* Jan. 14, 2003**

(54) **JUNCTION BOX**

(76) **Inventor:** **Joseph E. Straub, Jr.**, 10145 Sierra Ave., Truckee, CA (US) 96161

(\*\*) **Term:** **14 Years**

(21) **Appl. No.:** **29/154,782**

(22) **Filed:** **Jan. 29, 2002**

(51) **LOC (7) Cl.** ..... **13-03**

(52) **U.S. Cl.** ..... **D13/152**

(58) **Field of Search** ..... D3/259, 307, 312, D3/315; D13/152, 184, 199; 174/50, 52.1, 53, 59, 65 R; 220/3.2, 3.3, 3.5, 3.8

(56) **References Cited**

**U.S. PATENT DOCUMENTS**

3,495,276 A *	2/1970	Suess	52/270
4,605,816 A *	8/1986	Jorgensen et al.	174/65 R
4,944,694 A	7/1990	Dorn	439/501
D357,120 S *	4/1995	Miller	D3/312
D361,664 S *	8/1995	Brown	D3/315
5,497,880 A	3/1996	Dieffenbach	206/395
5,629,826 A	5/1997	Roca et al.	361/118

5,642,248 A	6/1997	Campolo et al.	361/42
5,657,841 A	8/1997	Morvan	191/12.4
5,961,062 A	10/1999	Beihl	242/400
6,278,059 B1 *	8/2001	Lefton	174/50
6,419,102 B1 *	7/2002	Harpenau	220/3.3

\* cited by examiner

*Primary Examiner*—Robert M. Spear

(74) *Attorney, Agent, or Firm*—Robert Charles Hill

(57) **CLAIM**

The ornamental design for a junction box, as shown and described.

**DESCRIPTION**

FIG. 1 is a top perspective view of the junction box showing my new design.

FIG. 2 is a front elevational view thereof.

FIG. 3 is a right side elevational view thereof.

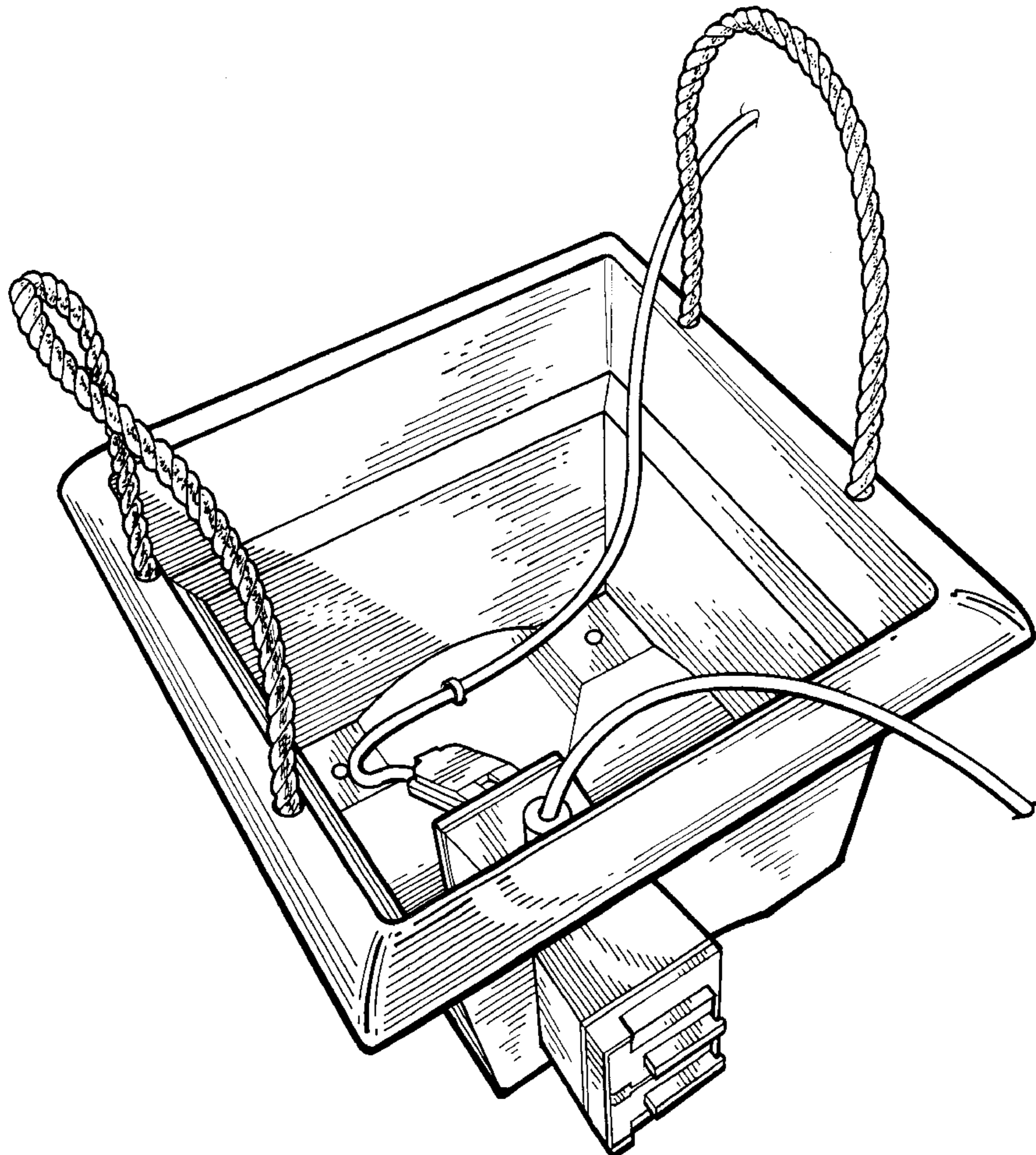
FIG. 4 is a top plan view thereof.

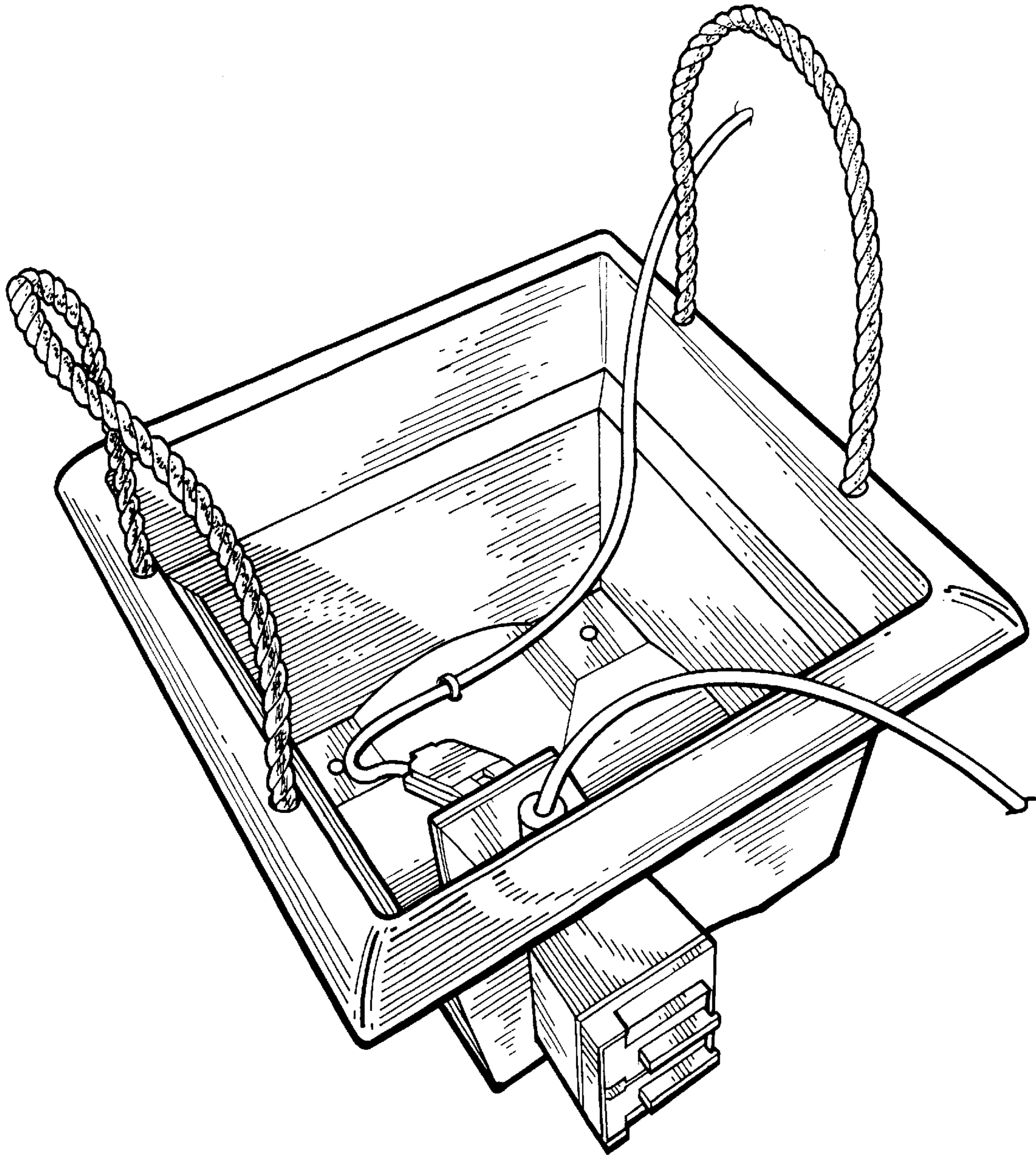
FIG. 5 is a back elevational view thereof.

FIG. 6 is a left side elevational side view thereof; and,

FIG. 7 is a bottom plan view thereof.

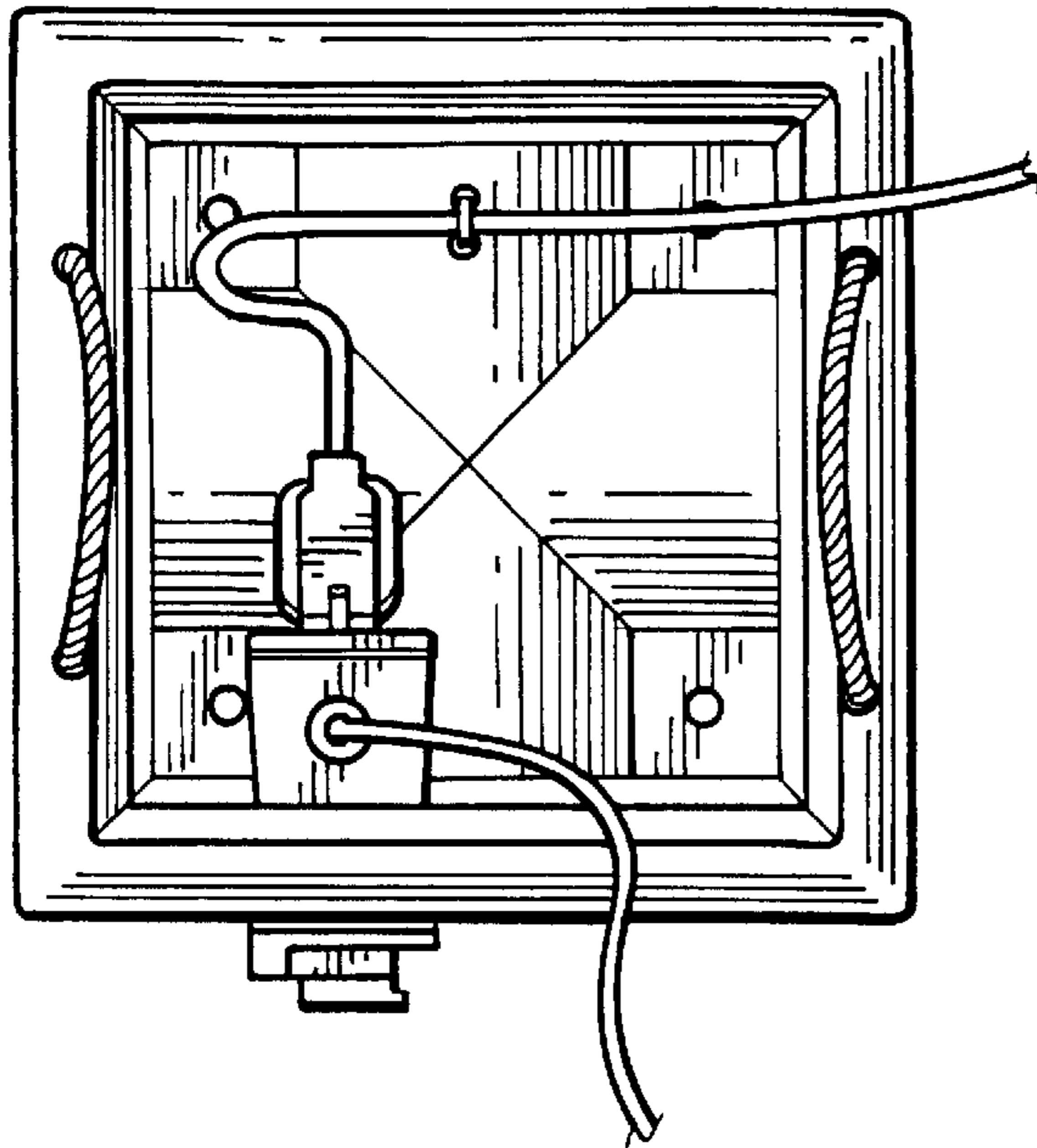
**1 Claim, 3 Drawing Sheets**



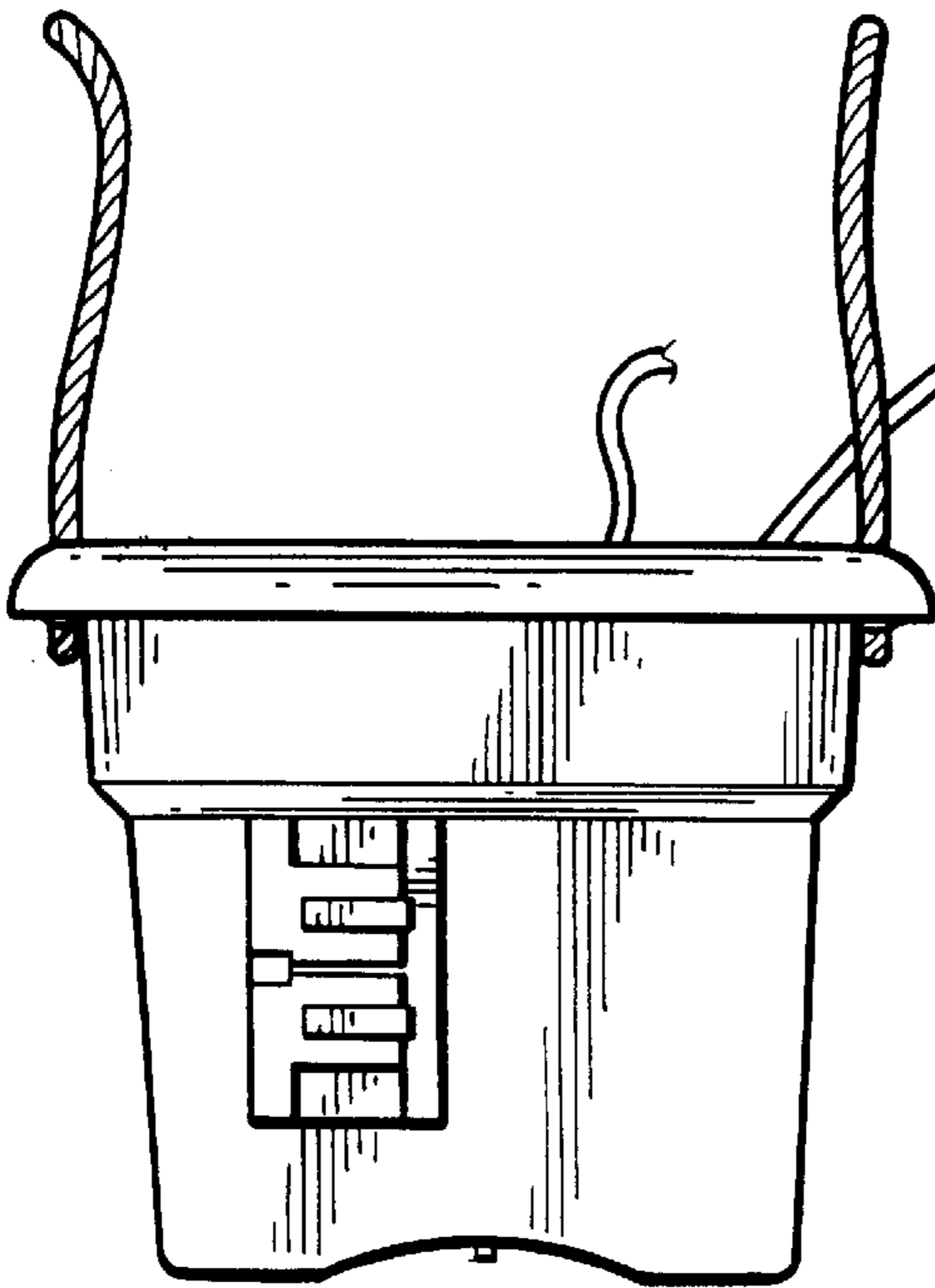


**FIG. 1**

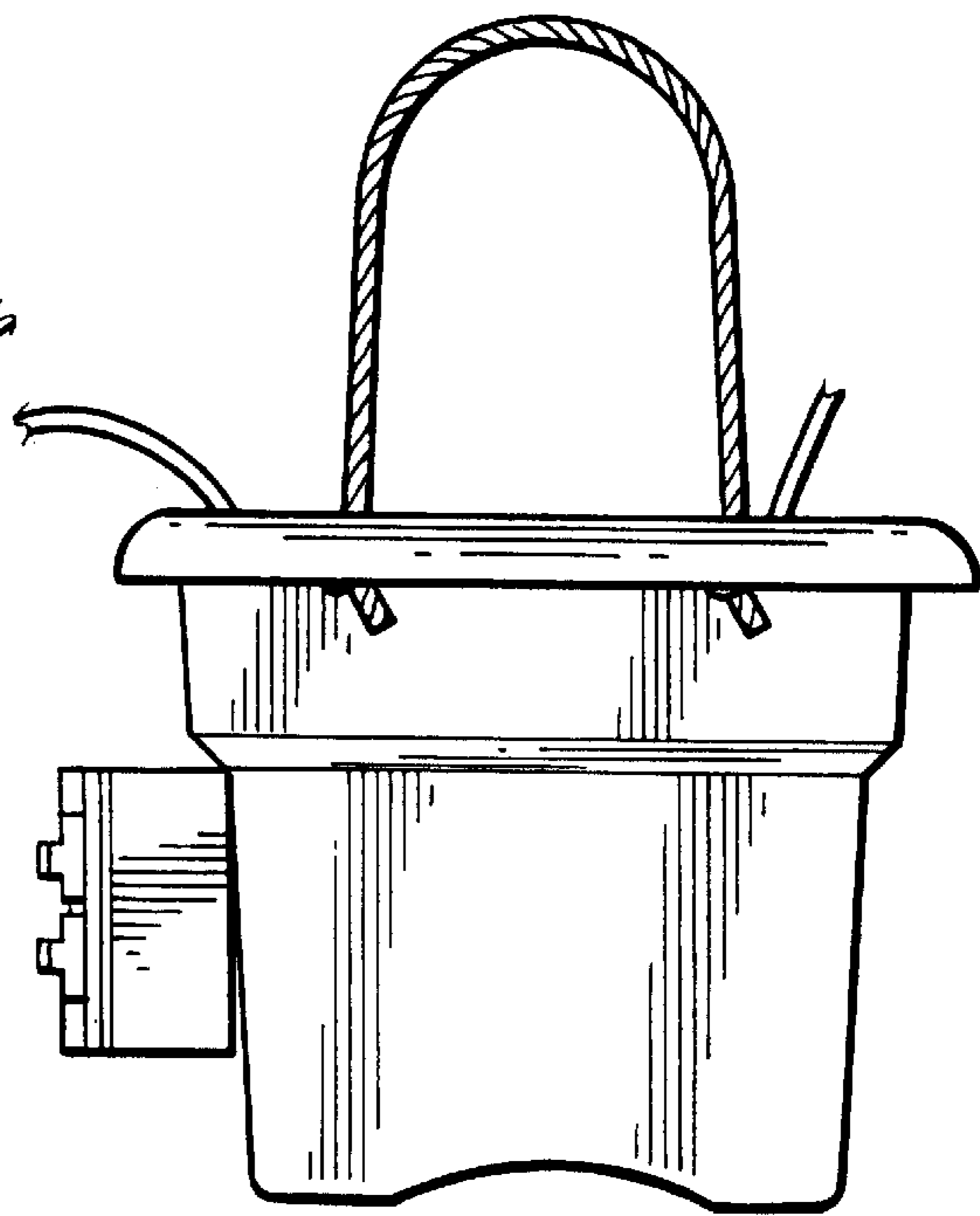




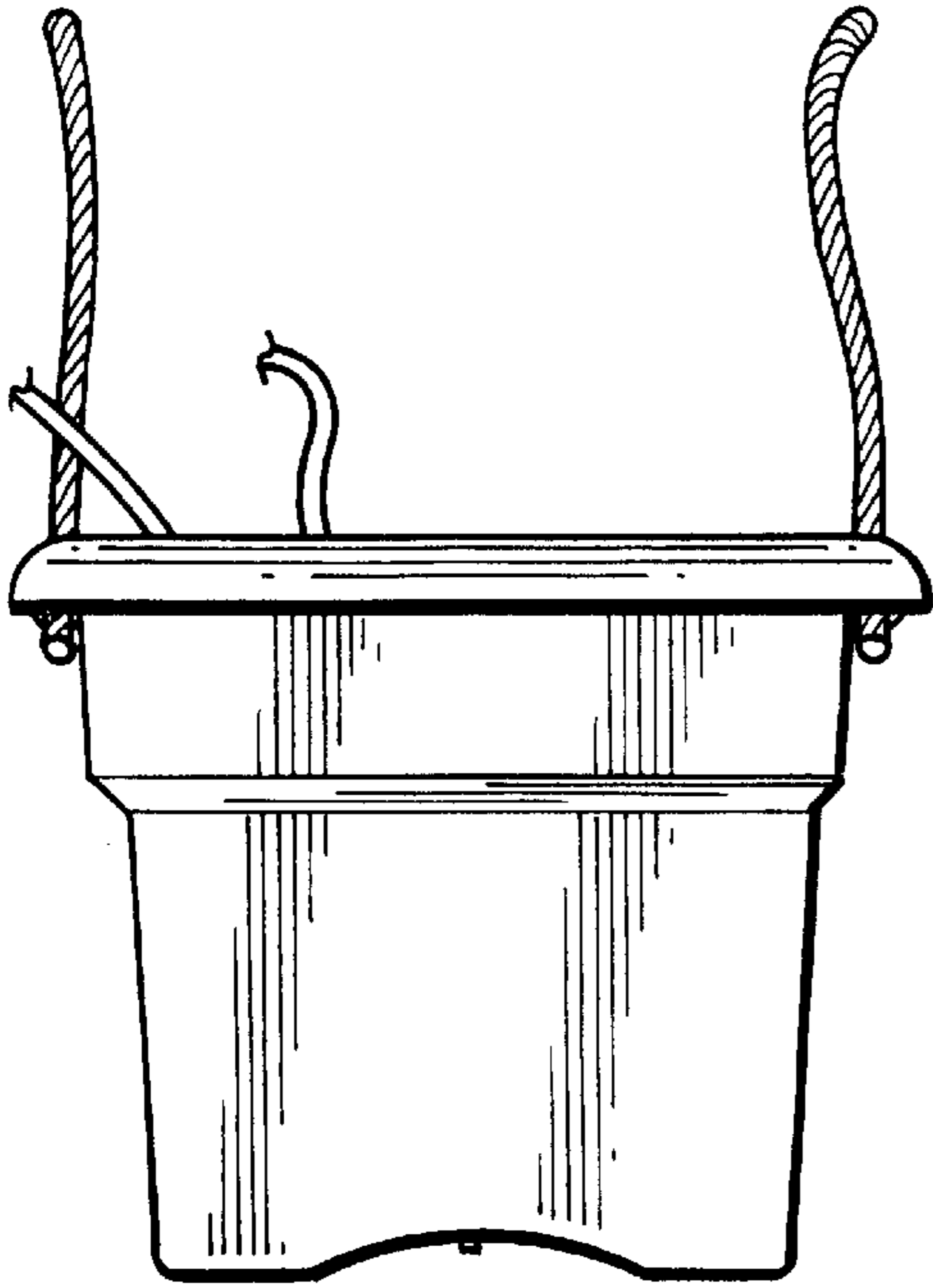
**FIG. 4**



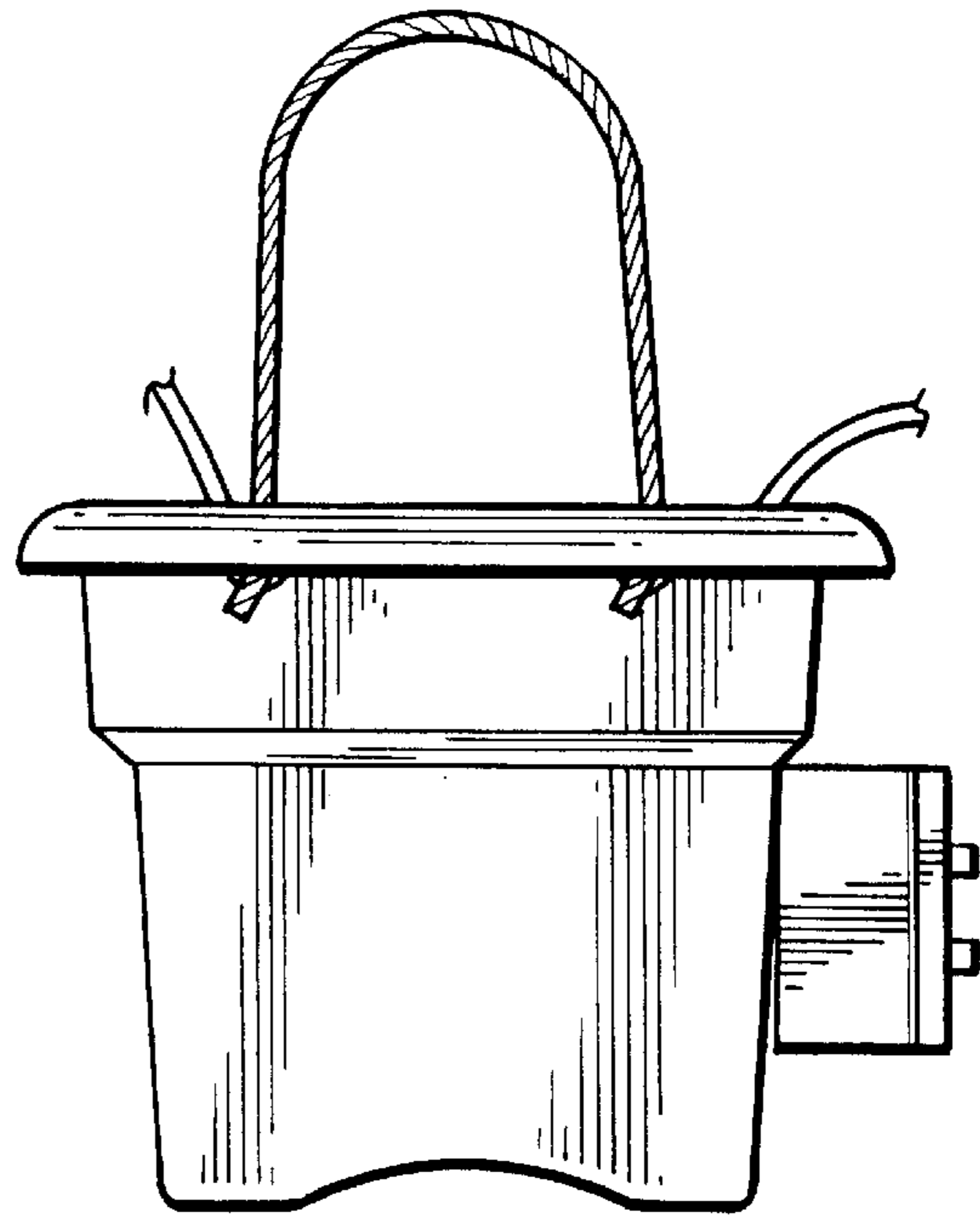
**FIG. 2**



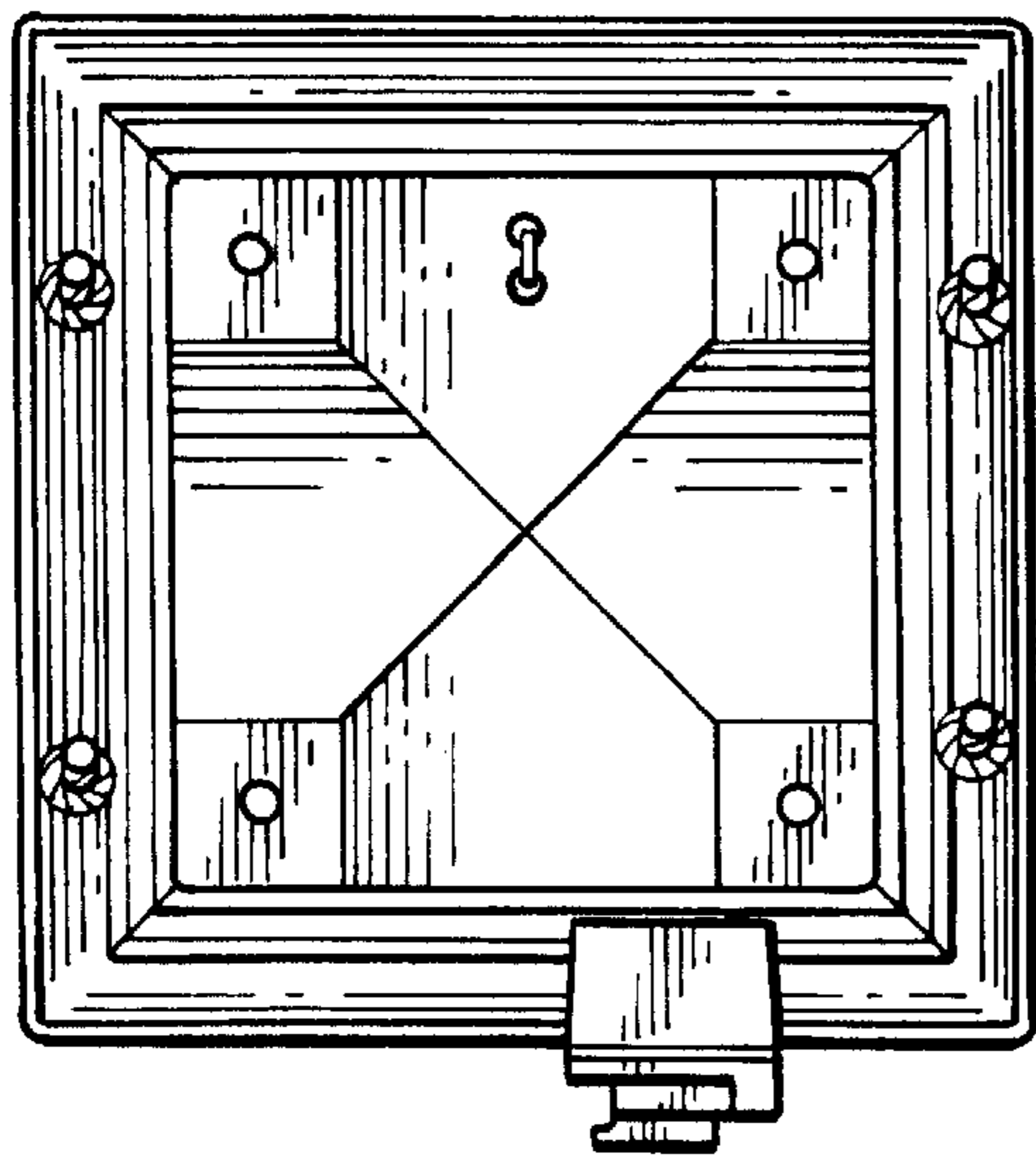
**FIG. 3**



**FIG. 5**



**FIG. 6**



**FIG. 7**