



US00D468692S

(12) **United States Design Patent**
Ashida et al.

(10) **Patent No.:** **US D468,692 S**

(45) **Date of Patent:** **** Jan. 14, 2003**

(54) **CONNECTOR PLUG FOR GAME MACHINE**

(75) Inventors: **Kenichiro Ashida, Kyoto (JP); Junji Takamoto, Kyoto (JP)**

(73) Assignee: **Nintendo Co., Ltd. (JP)**

(**) Term: **14 Years**

(21) Appl. No.: **29/136,509**

(22) Filed: **Feb. 2, 2001**

(30) **Foreign Application Priority Data**

Aug. 4, 2000	(JP)	2000-021609
Aug. 4, 2000	(JP)	2000-021610
Aug. 4, 2000	(JP)	2000-021611
Aug. 4, 2000	(JP)	2000-021612
Aug. 4, 2000	(JP)	2000-021613
Aug. 4, 2000	(JP)	2000-021614
Aug. 4, 2000	(JP)	2000-021615
Aug. 4, 2000	(JP)	2000-021616
Aug. 4, 2000	(JP)	2000-021617
Aug. 4, 2000	(JP)	2000-021618
Aug. 4, 2000	(JP)	2000-021619

(51) **LOC (7) Cl.** **13-03**

(52) **U.S. Cl.** **D13/147**

(58) **Field of Search** **D13/146, 147;**
439/352, 607, 610, 686

(56) **References Cited**

U.S. PATENT DOCUMENTS

4,990,103	A	*	2/1991	Sazaki et al.	439/455
D333,293	S		2/1993	Ashida		
D381,628	S	*	7/1997	Ashida	D13/147
D419,525	S	*	1/2000	Arai	D13/147
D445,402	S	*	7/2001	Arai	D13/147
D447,465	S	*	9/2001	Arai	D13/147
D447,732	S	*	9/2001	Arai	D13/147

* cited by examiner

Primary Examiner—Joel Sincavage

(74) *Attorney, Agent, or Firm*—Nixon & Vanderhye P.C.

(57) **CLAIM**

The ornamental design for a “connector plug for game machine” as shown and described.

DESCRIPTION

FIG. 1 is a front elevational view of a connector plug for game machine showing a first embodiment, the rear elevational view being a mirror image thereof;

FIG. 2 is a top plan view thereof;

FIG. 3 is a bottom plan view thereof;

FIG. 4 is a right side view thereof;

FIG. 5 is a left side view thereof;

FIG. 6 is a front elevational view of a connector plug for game machine showing a second embodiment, the rear elevational view being a mirror image thereof;

FIG. 7 is a top plan view thereof;

FIG. 8 is a bottom plan view thereof;

FIG. 9 is a right side view thereof;

FIG. 10 is a left side view thereof;

FIG. 11 is a front elevational view of a connector plug for game machine showing a third embodiment, the rear elevational view being a mirror image thereof;

FIG. 12 is a top plan view thereof;

FIG. 13 is a bottom plan view thereof;

FIG. 14 is a right side view thereof;

FIG. 15 is a left side view thereof;

FIG. 16 is a front elevational view of a connector plug for game machine showing a fourth embodiment, the rear elevational view being a mirror image thereof;

FIG. 17 is a top plan view thereof;

FIG. 18 is a bottom plan view thereof;

FIG. 19 is a right side view thereof; and,

FIG. 20 is a left side view thereof.

1 Claim, 8 Drawing Sheets

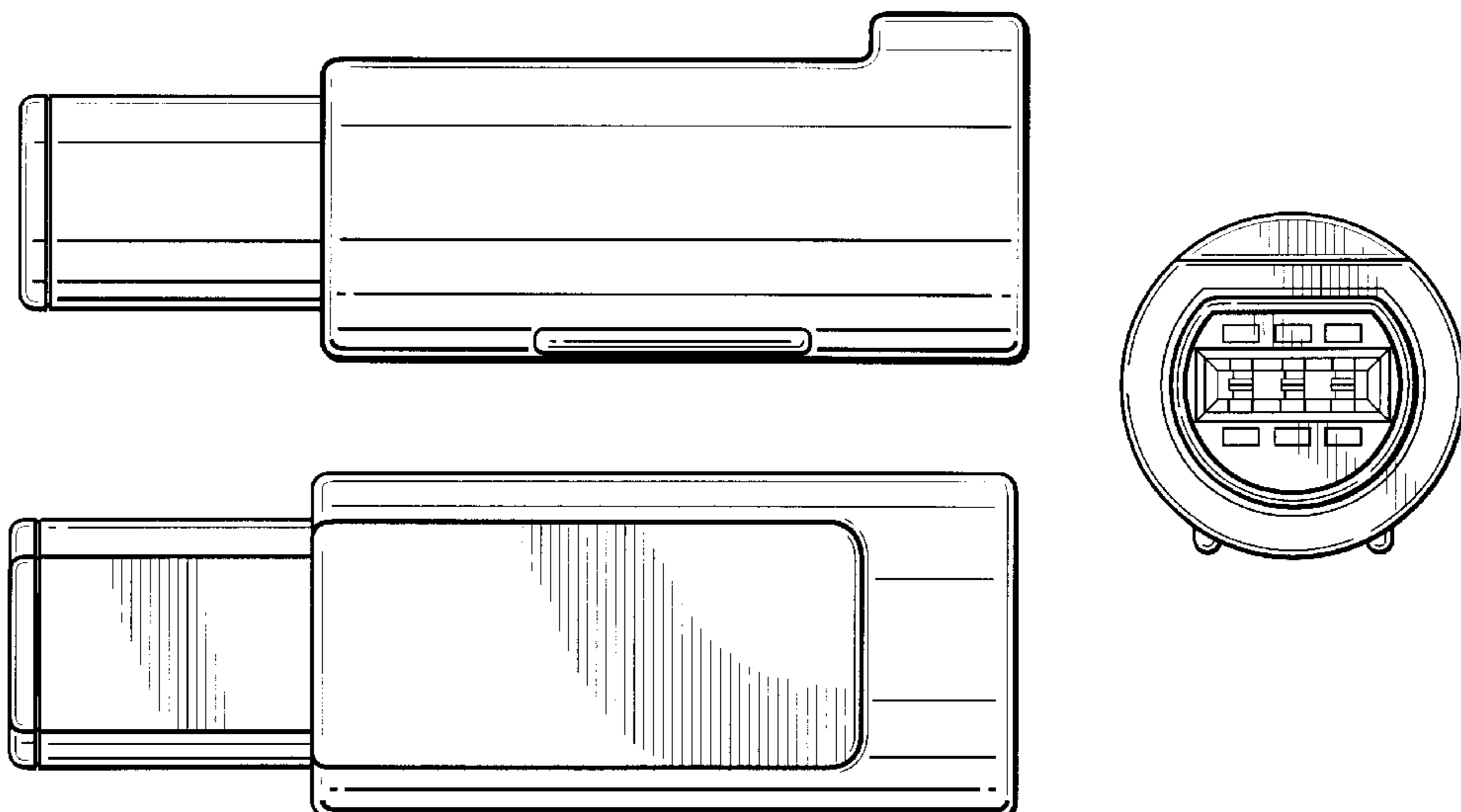


Fig. 1

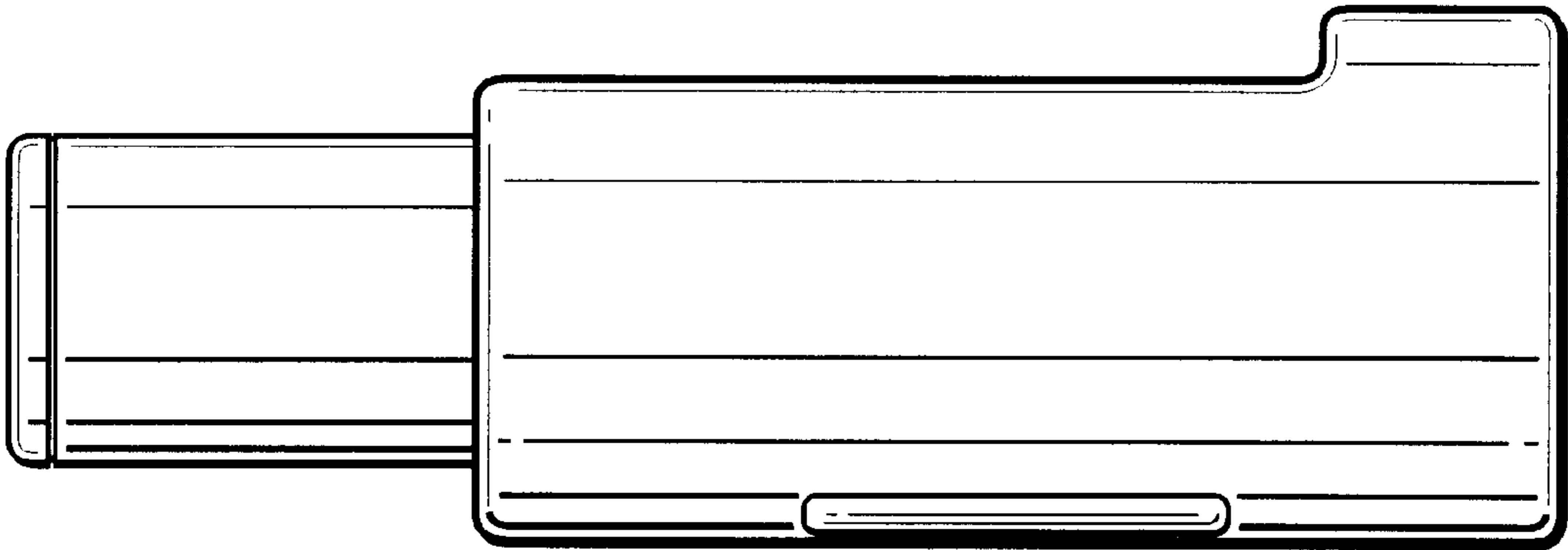


Fig. 2

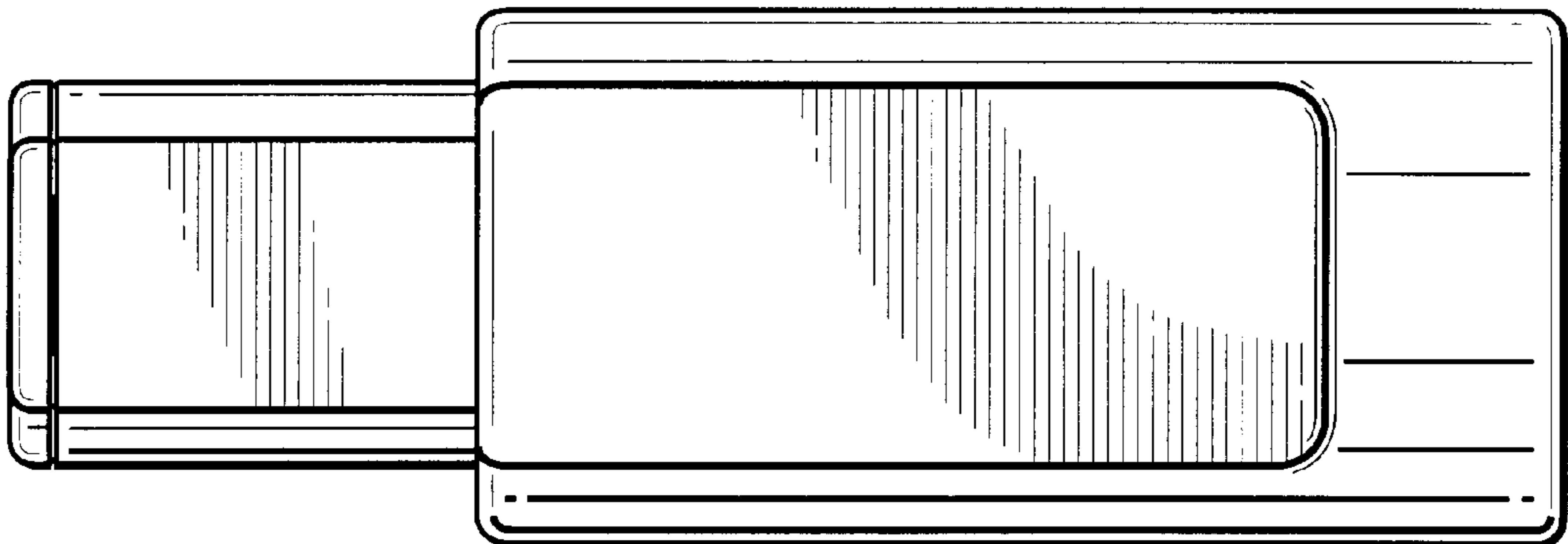


Fig. 3

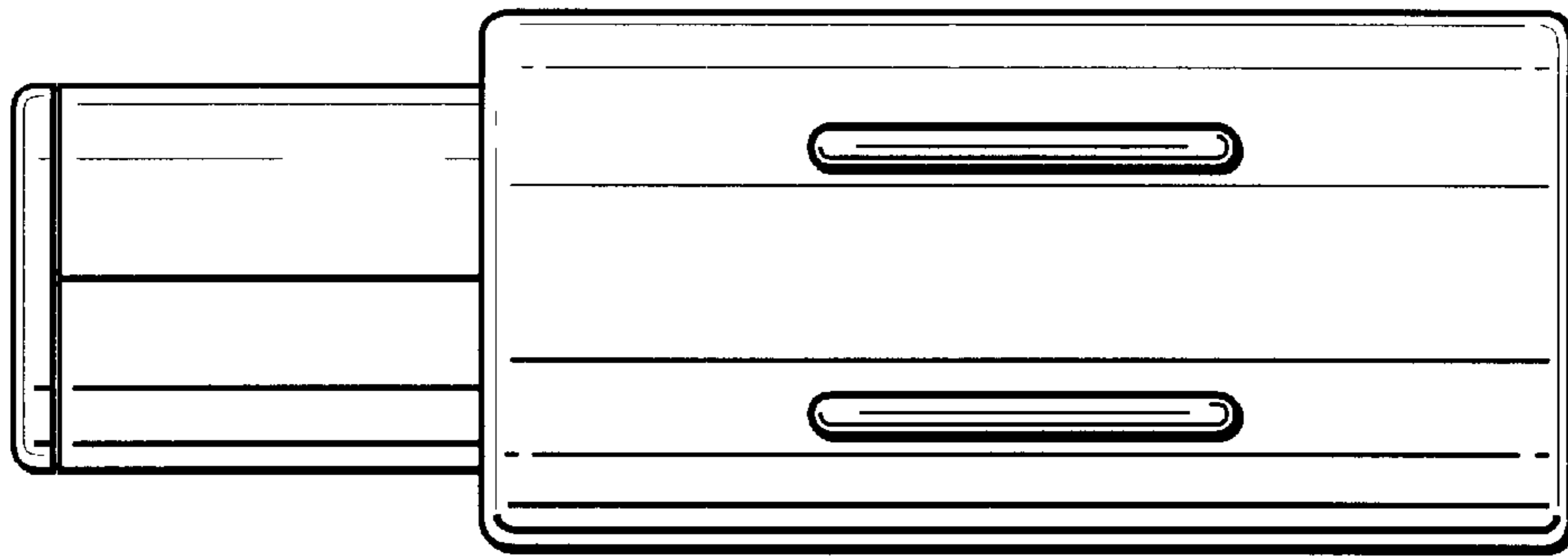


Fig. 4

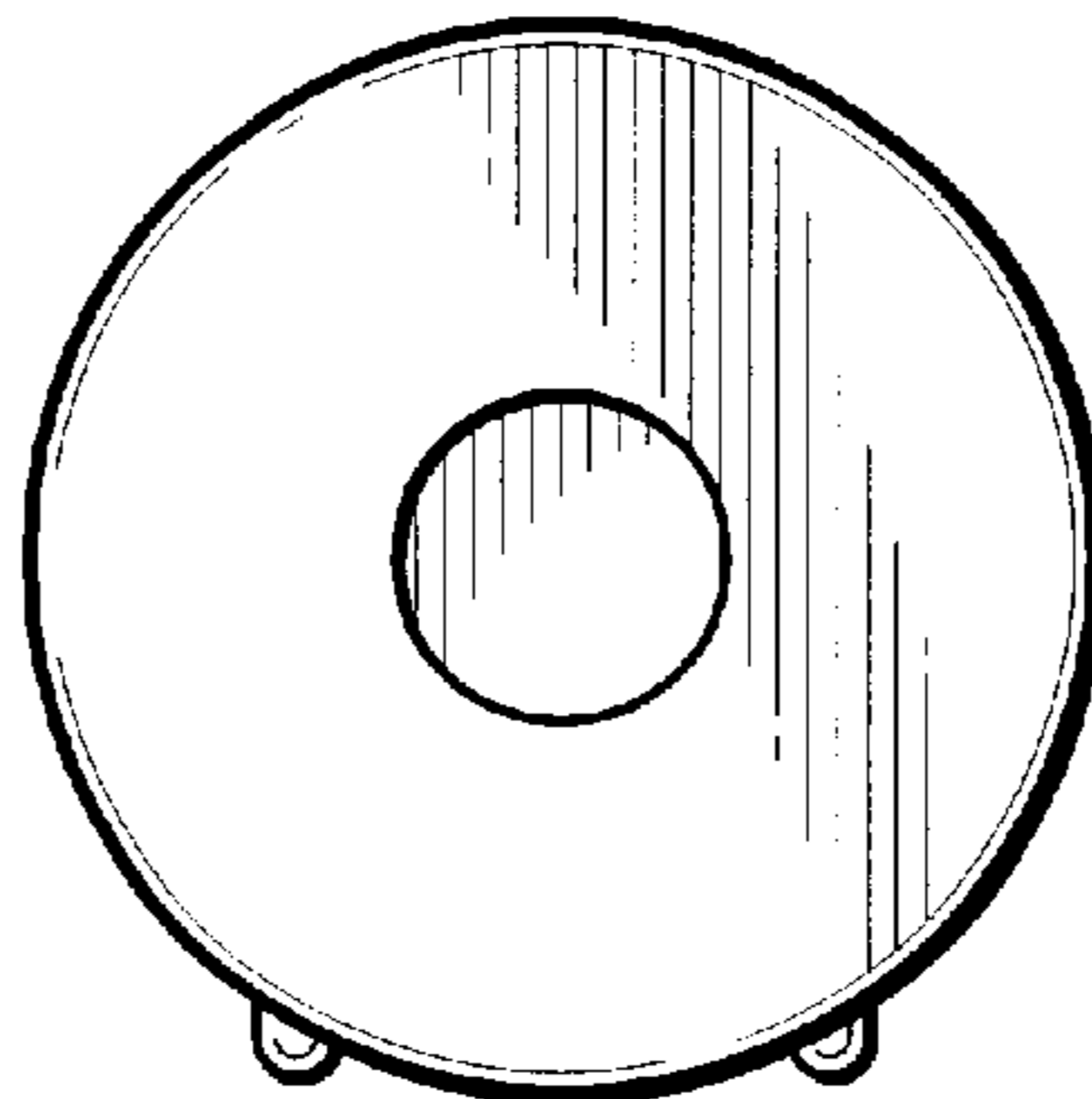


Fig. 5

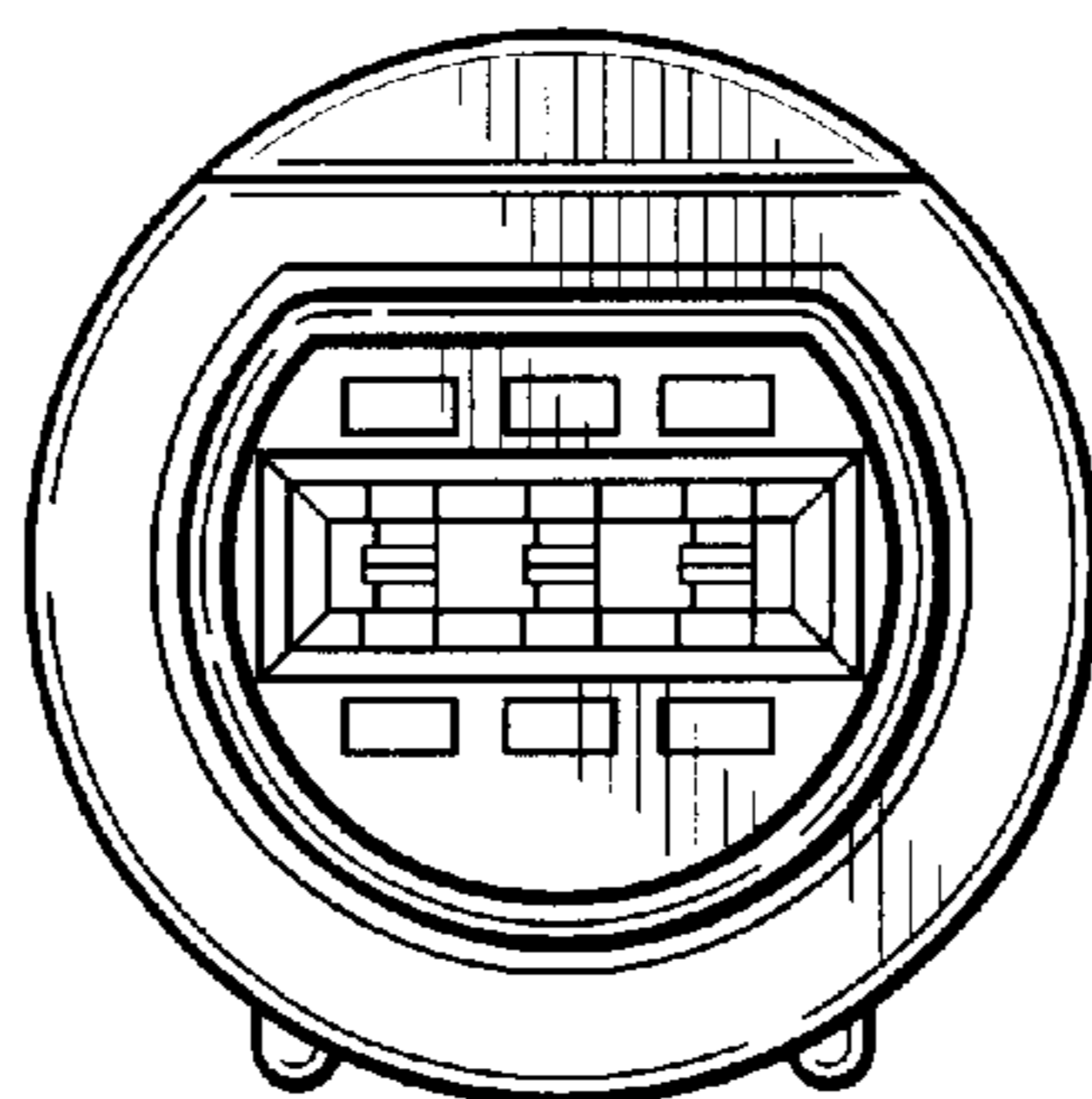


Fig. 6

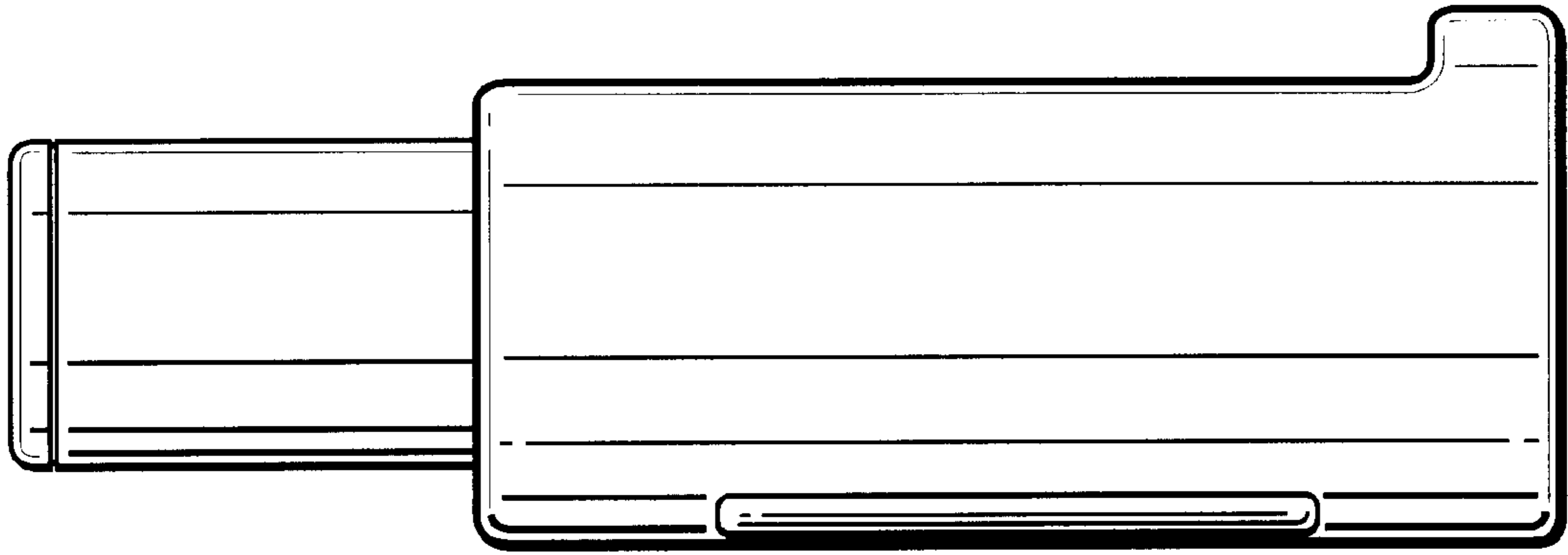


Fig. 7

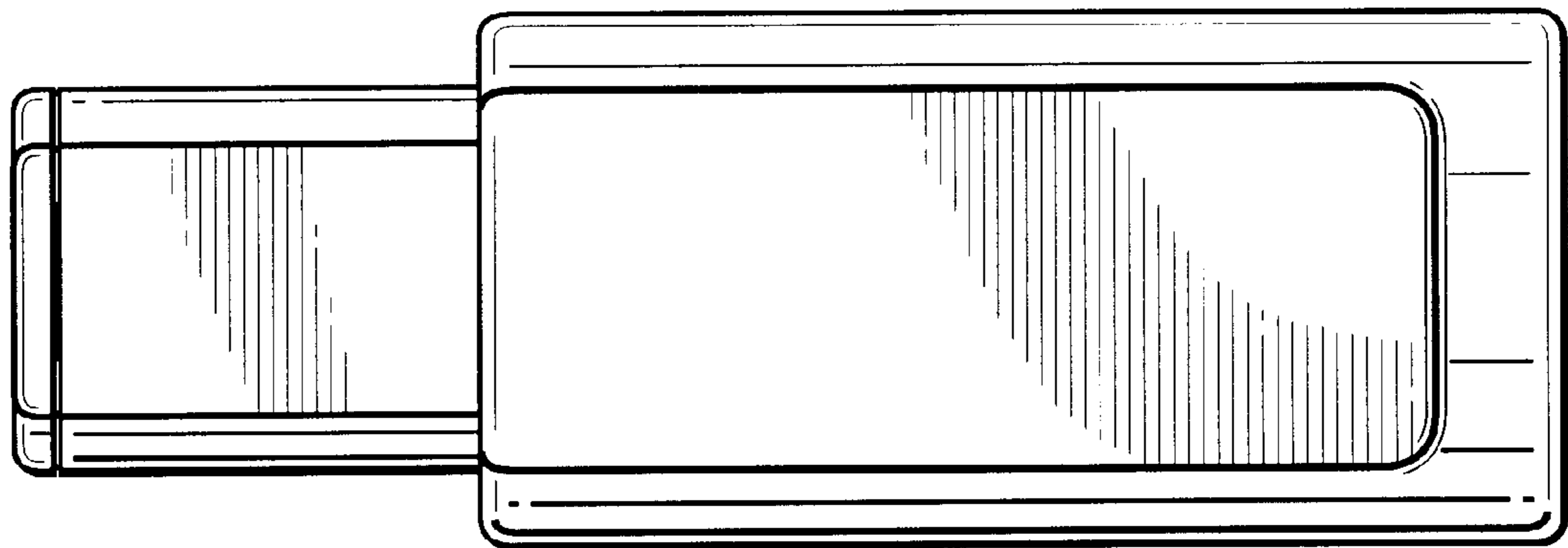


Fig. 8

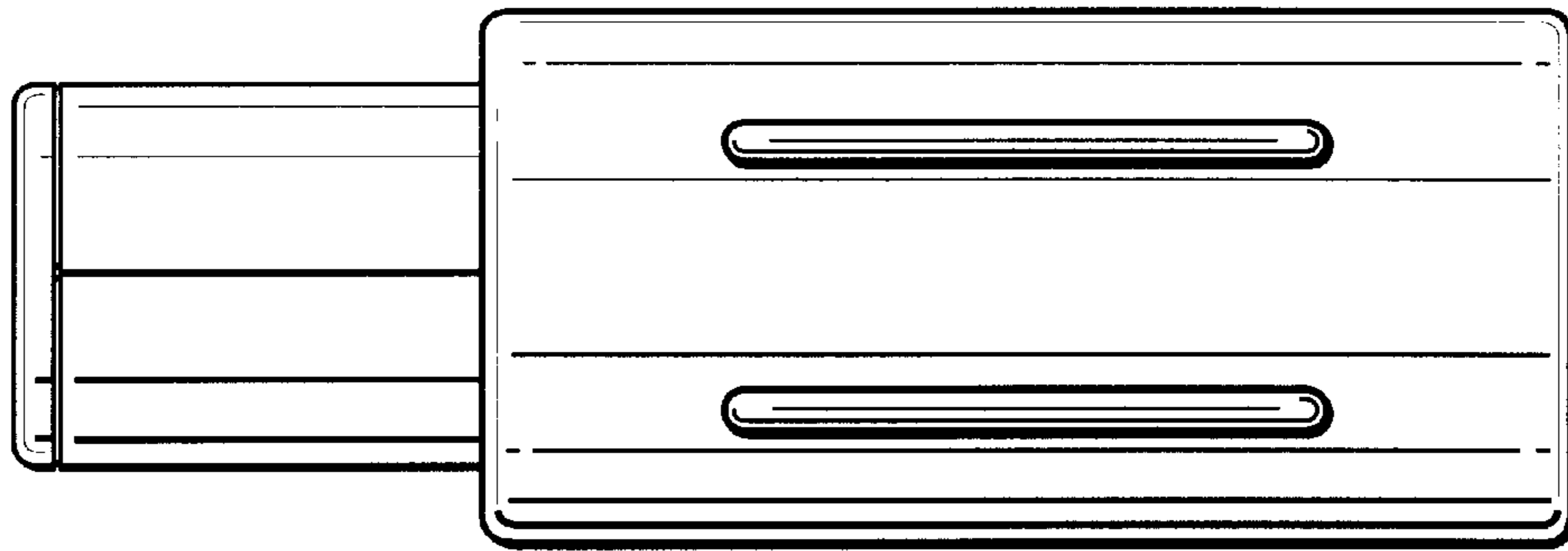


Fig. 9

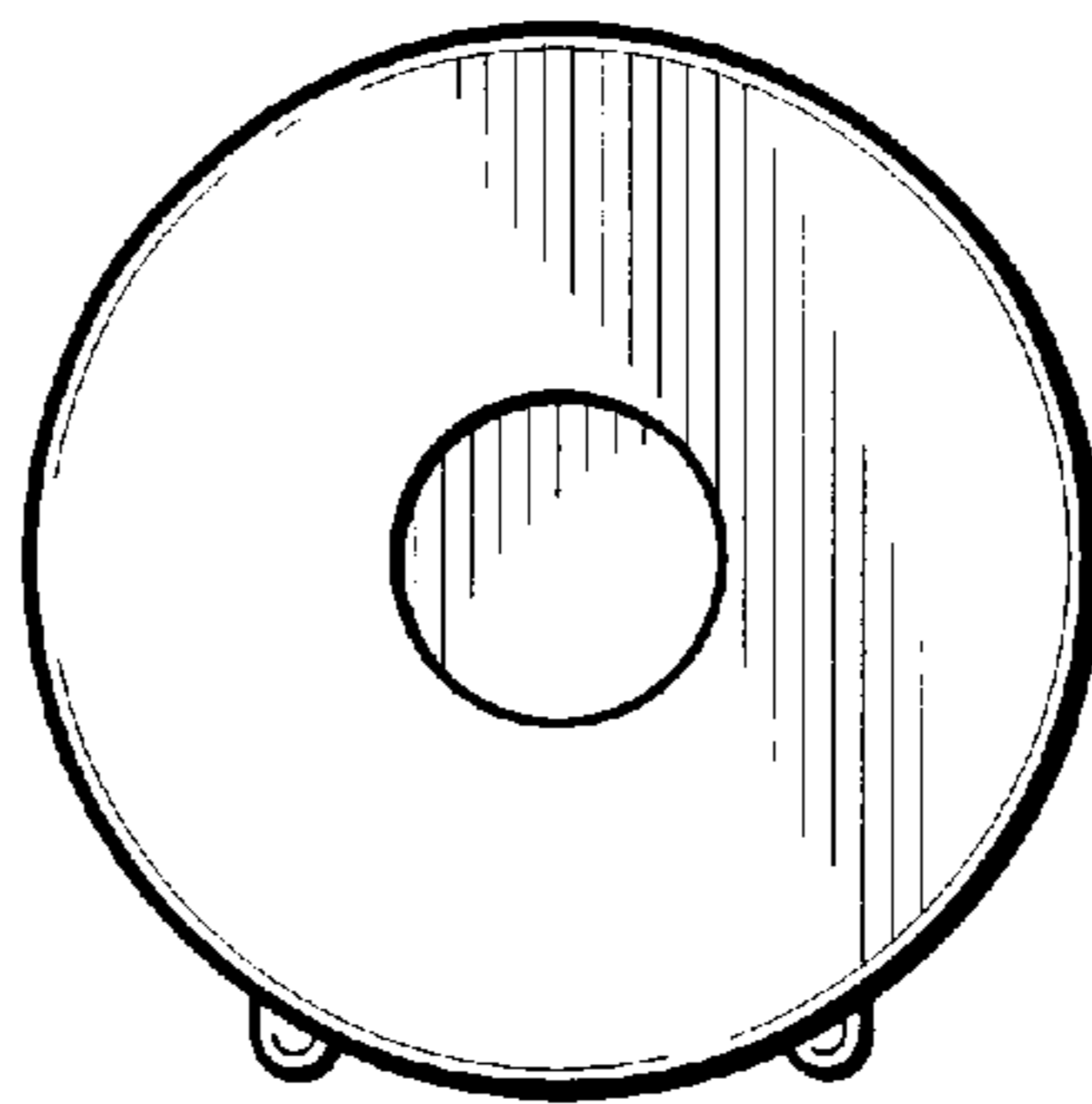


Fig. 10

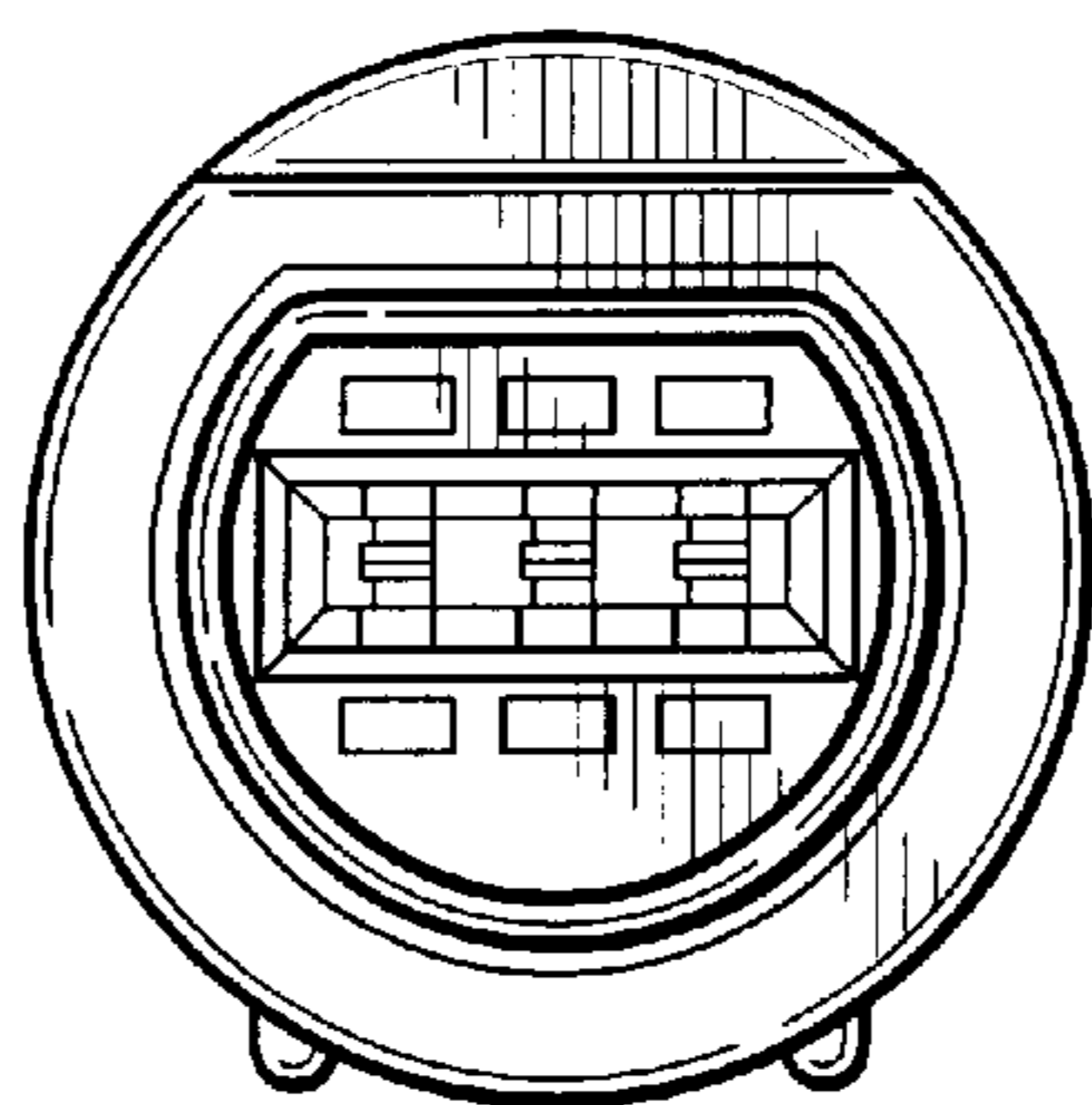


Fig. 11

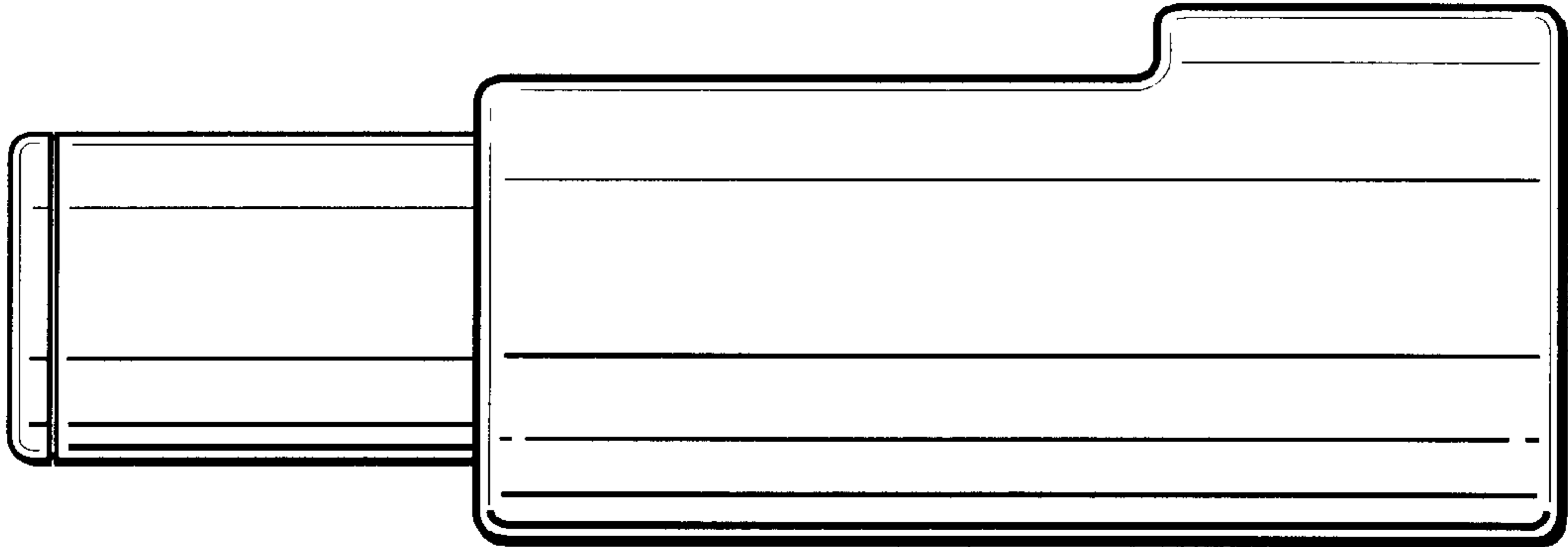


Fig. 12

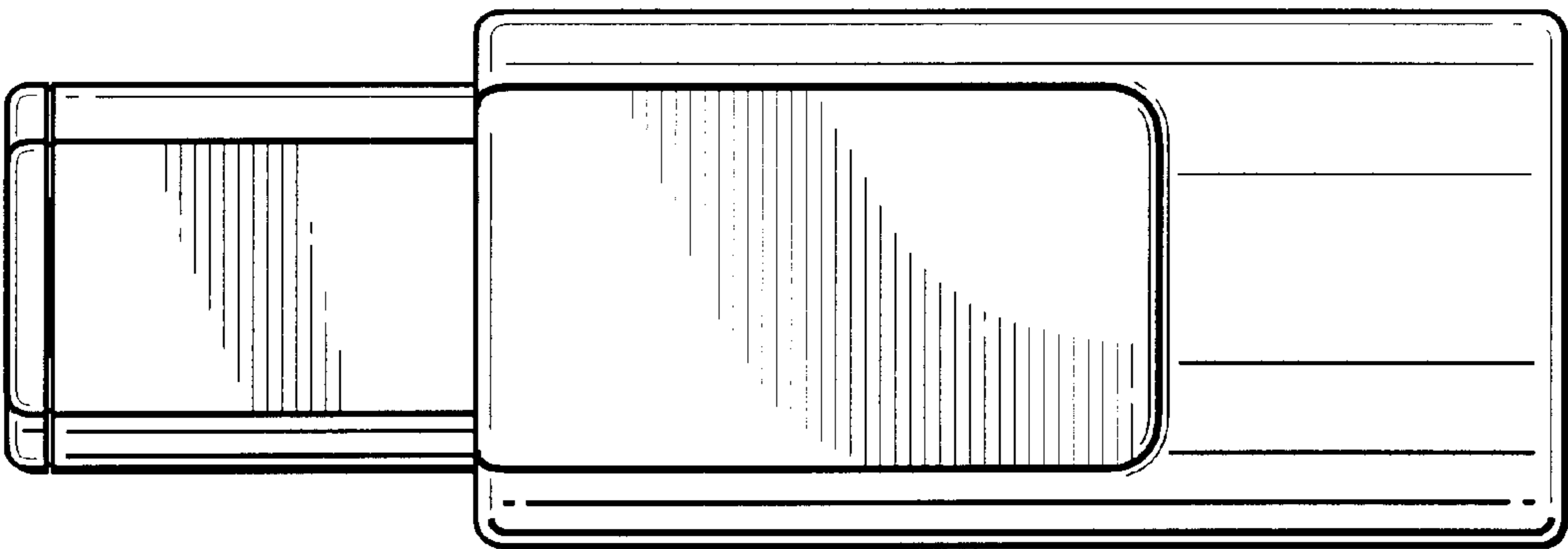


Fig. 13

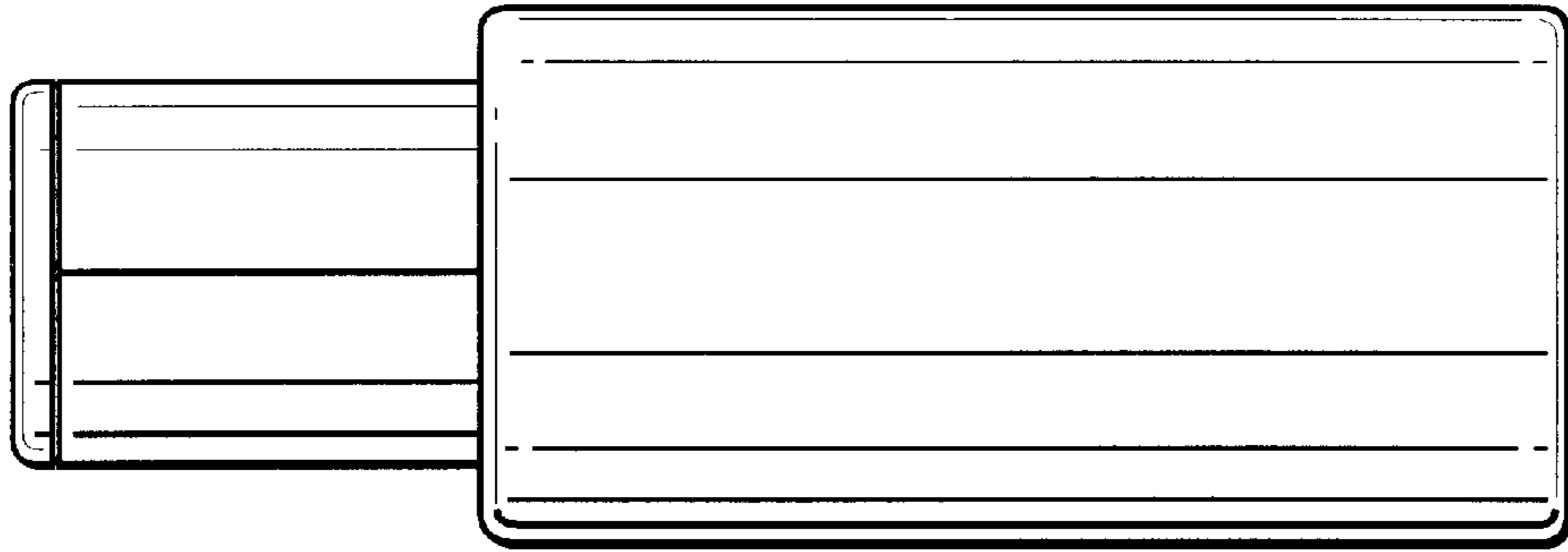


Fig. 14

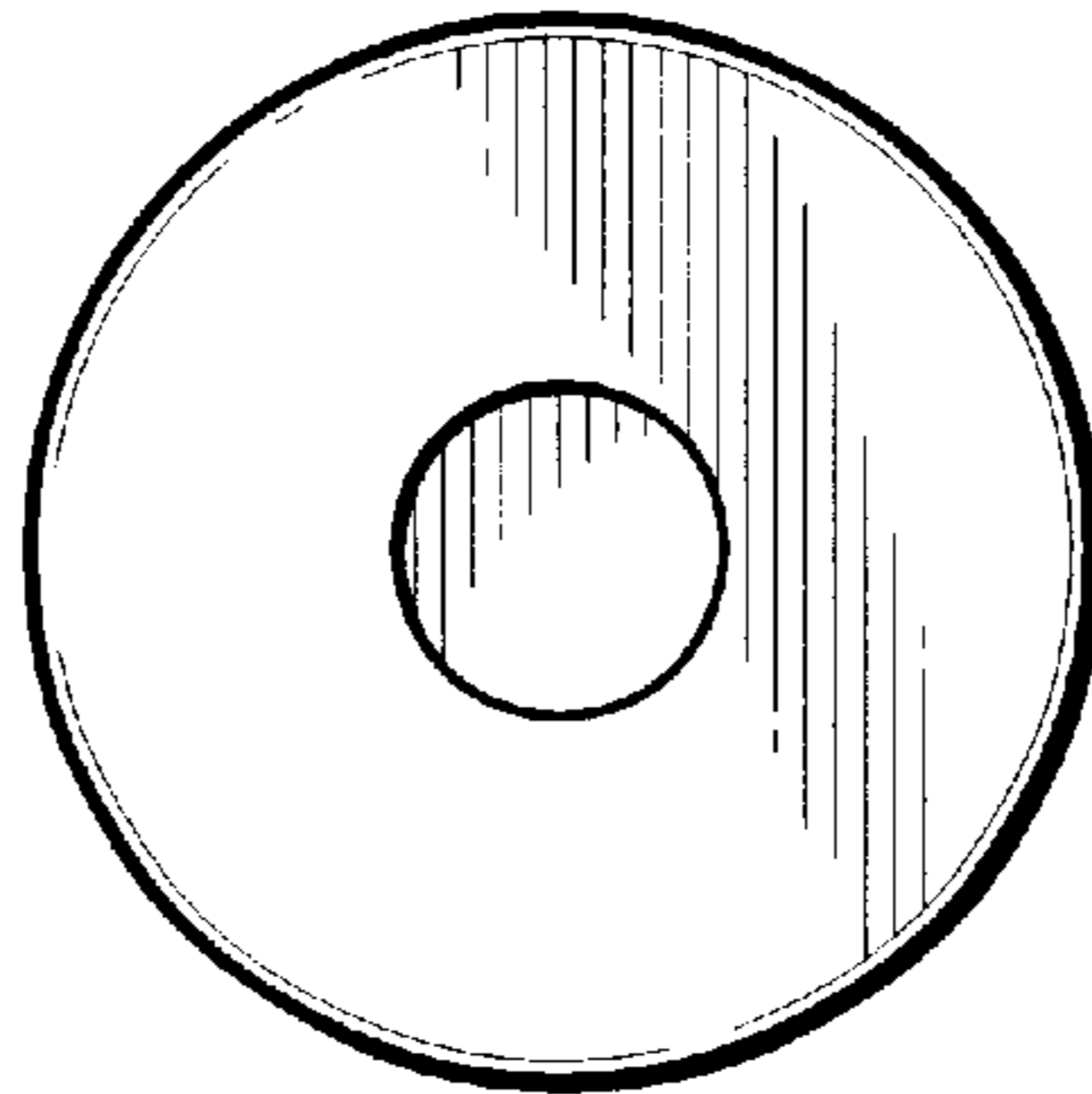


Fig. 15

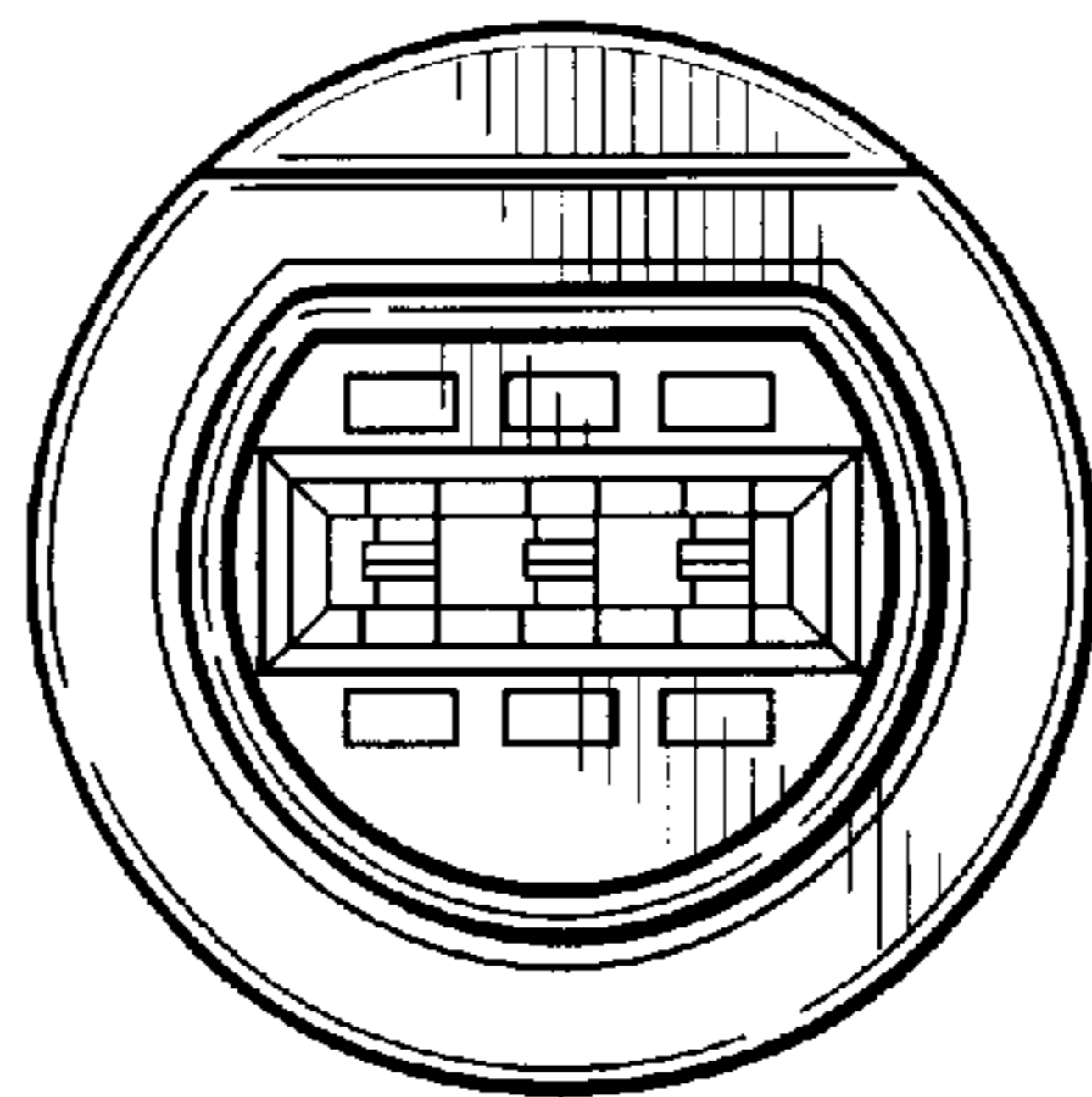


Fig. 16

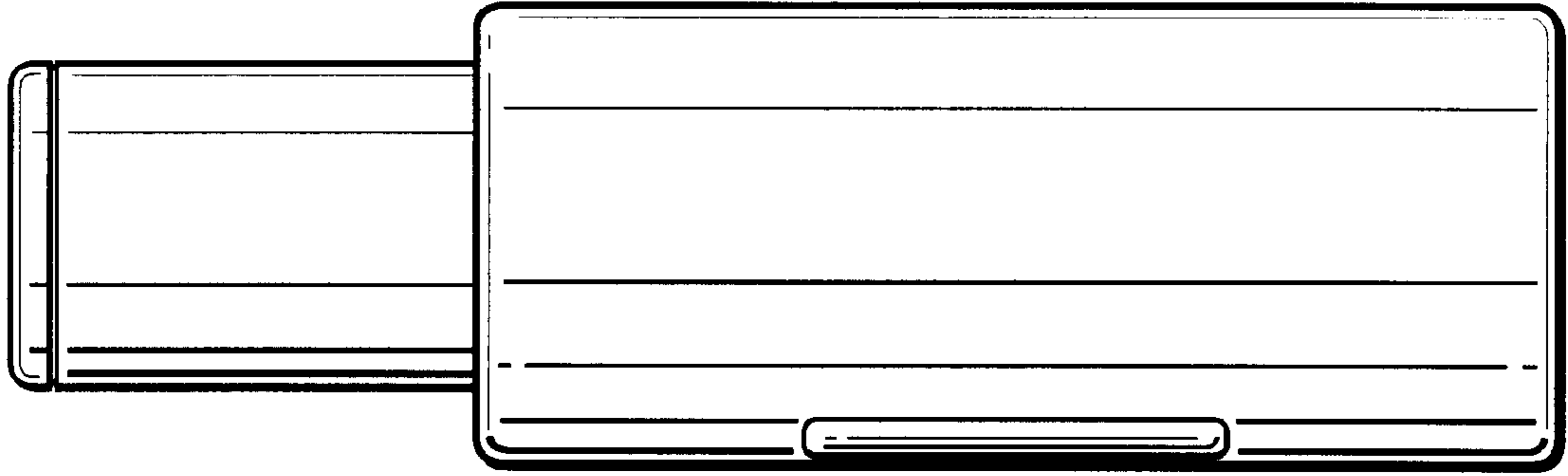


Fig. 17

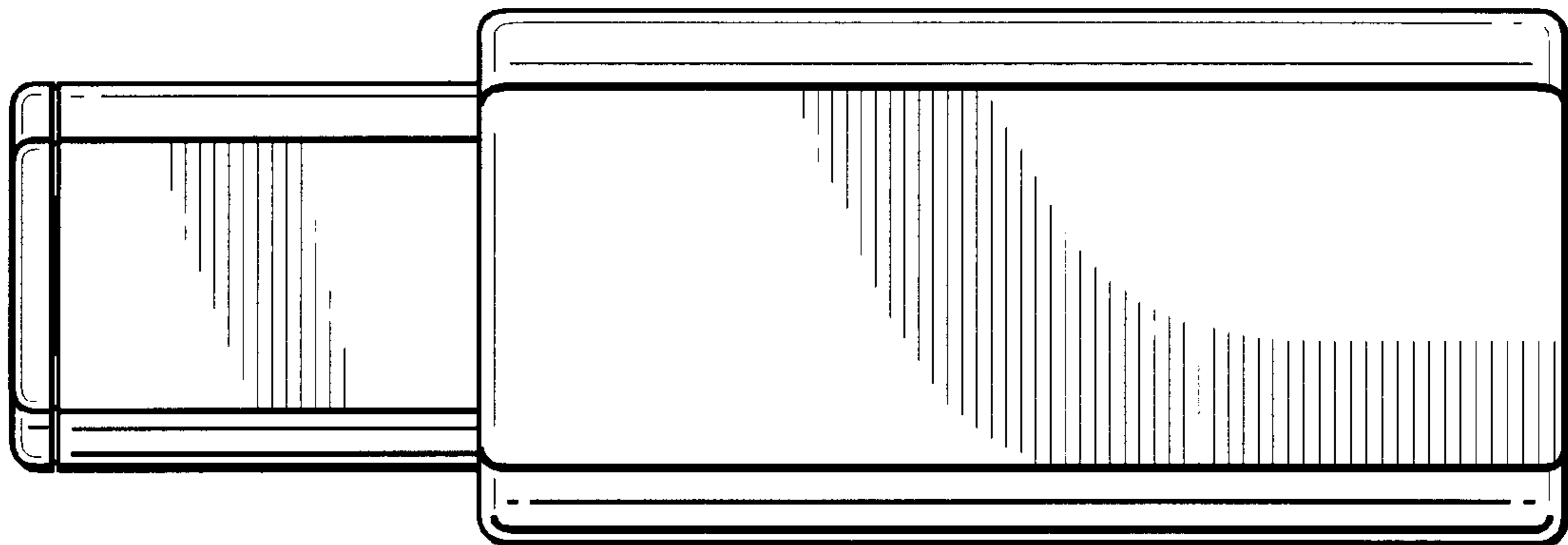


Fig. 18

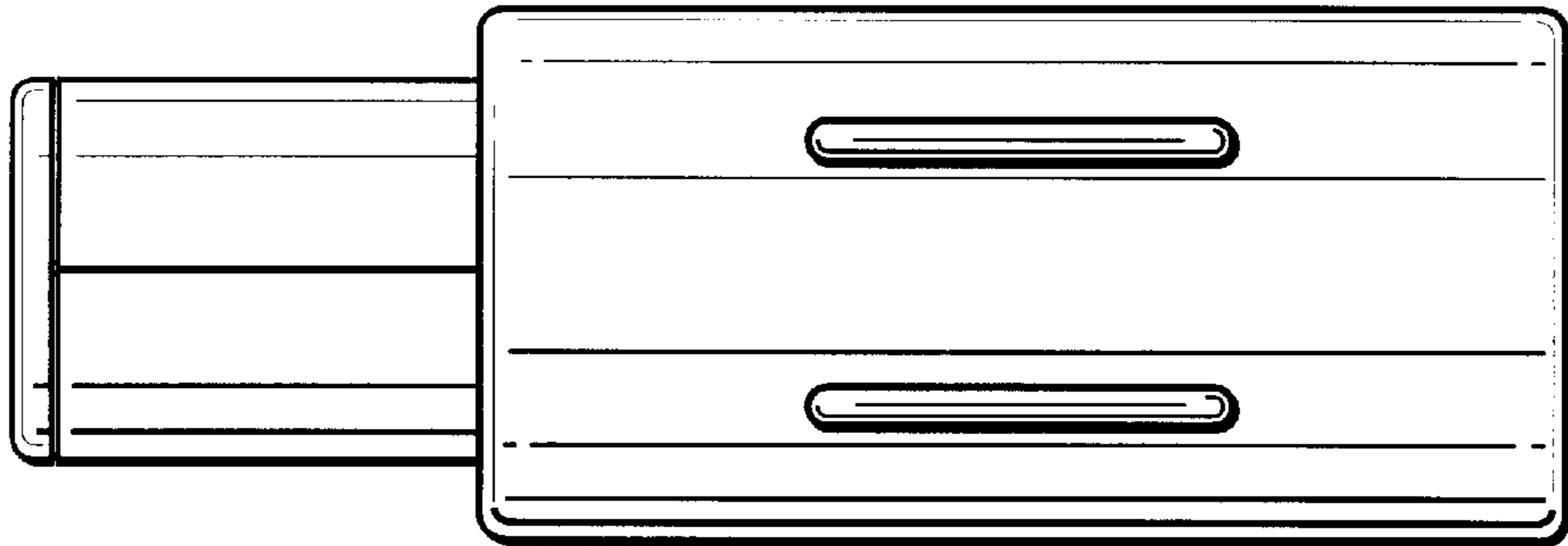


Fig. 19

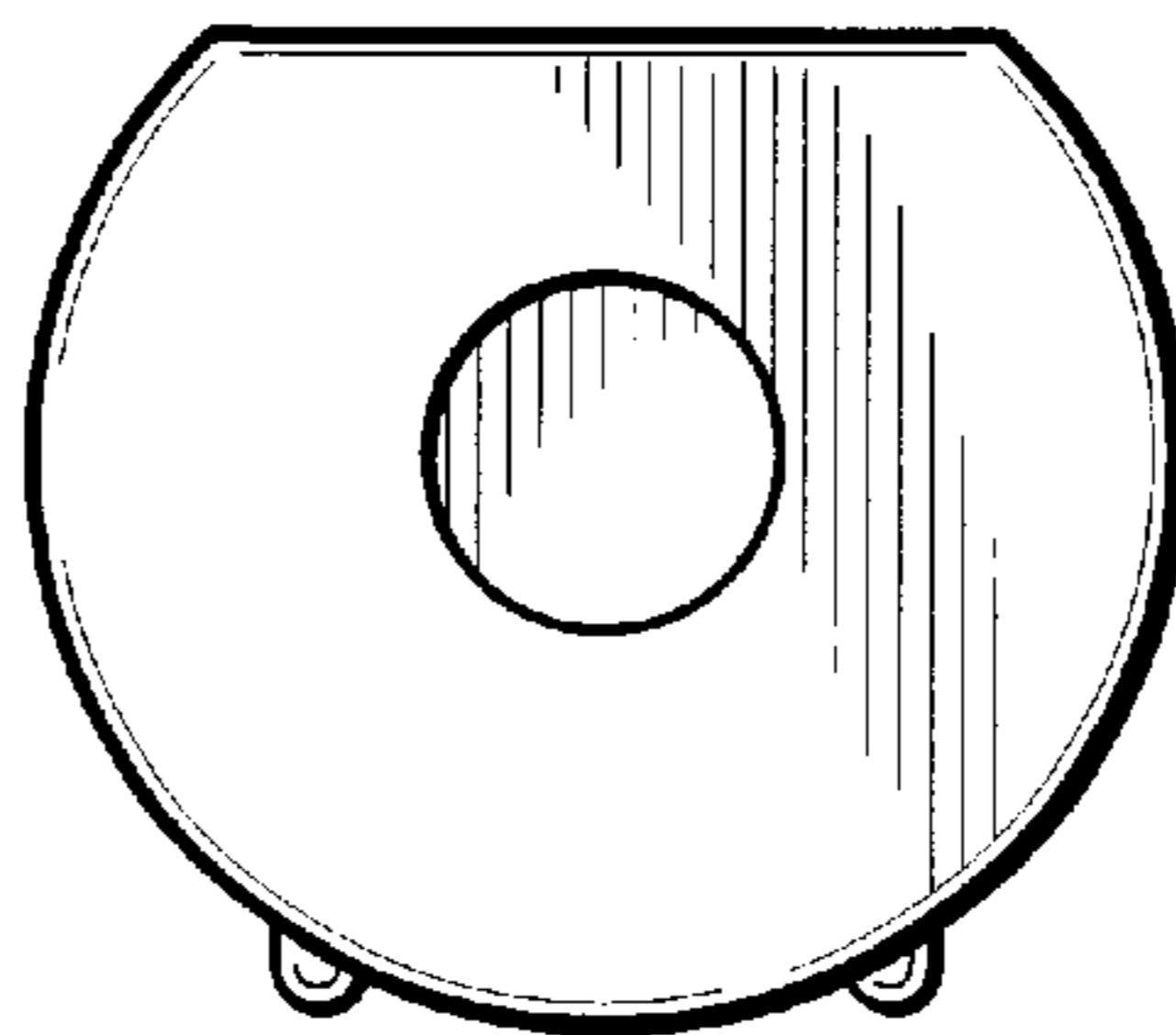


Fig. 20

