



US00D468691S

(12) **United States Design Patent**
Detter et al.

(10) **Patent No.: US D468,691 S**

(45) **Date of Patent: ** Jan. 14, 2003**

(54) **TRAILER ADAPTER PLUG**

(75) Inventors: **Gary C. Detter**, Berlin Center, OH (US); **Richard D. Kirkwood**, Bristolville, OH (US)

(73) Assignee: **Delphi Technologies, Inc.**, Troy, MI (US)

(**) Term: **14 Years**

(21) Appl. No.: **29/134,378**

(22) Filed: **Oct. 30, 2000**

(51) **LOC (7) Cl.** **13-03**

(52) **U.S. Cl.** **D13/143; D13/147**

(58) **Field of Search** **D13/146, 156; 439/35**

(56) **References Cited**

U.S. PATENT DOCUMENTS

4,057,310 A	11/1977	Young	
4,061,407 A	12/1977	Snow	
D249,502 S	9/1978	Rink et al.	
4,460,811 A	7/1984	Murr et al.	
4,555,451 A	11/1985	Harrod et al.	
4,718,853 A	1/1988	Orbanic	
4,770,644 A	9/1988	Feder	
4,781,393 A	11/1988	Jeter	
D300,820 S	4/1989	Orbanic	
4,829,223 A *	5/1989	Broberg et al.	320/2
4,842,524 A	6/1989	Hopkins et al.	
4,846,697 A	7/1989	Rodgers	
4,997,394 A *	3/1991	Katz et al.	439/622
5,030,938 A	7/1991	Bondzeit	
5,052,951 A	10/1991	Johnson	
5,080,594 A	1/1992	Swinford	
5,184,960 A	2/1993	Hopkins et al.	
D335,122 S	4/1993	Hughes	
5,354,204 A	10/1994	Hughes	
D366,240 S *	1/1996	Kittridge	D13/146
D370,204 S *	5/1996	Kittridge	D13/146
5,626,479 A *	5/1997	Hughes	439/35

5,626,489 A *	5/1997	Marshall et al.	439/402
5,765,848 A *	6/1998	Silvey	439/35 X
5,766,020 A *	6/1998	Hughes	439/35
D411,829 S *	7/1999	Pancheri et al.	D13/156 X
5,951,332 A *	9/1999	Wang	439/686

FOREIGN PATENT DOCUMENTS

DE	1929470	2/1970
DE	2819971	11/1979
FR	1510090	1/1968
GB	1202348	8/1970

* cited by examiner

Primary Examiner—Joel Sincavage

(74) *Attorney, Agent, or Firm*—Thomas N. Twomey

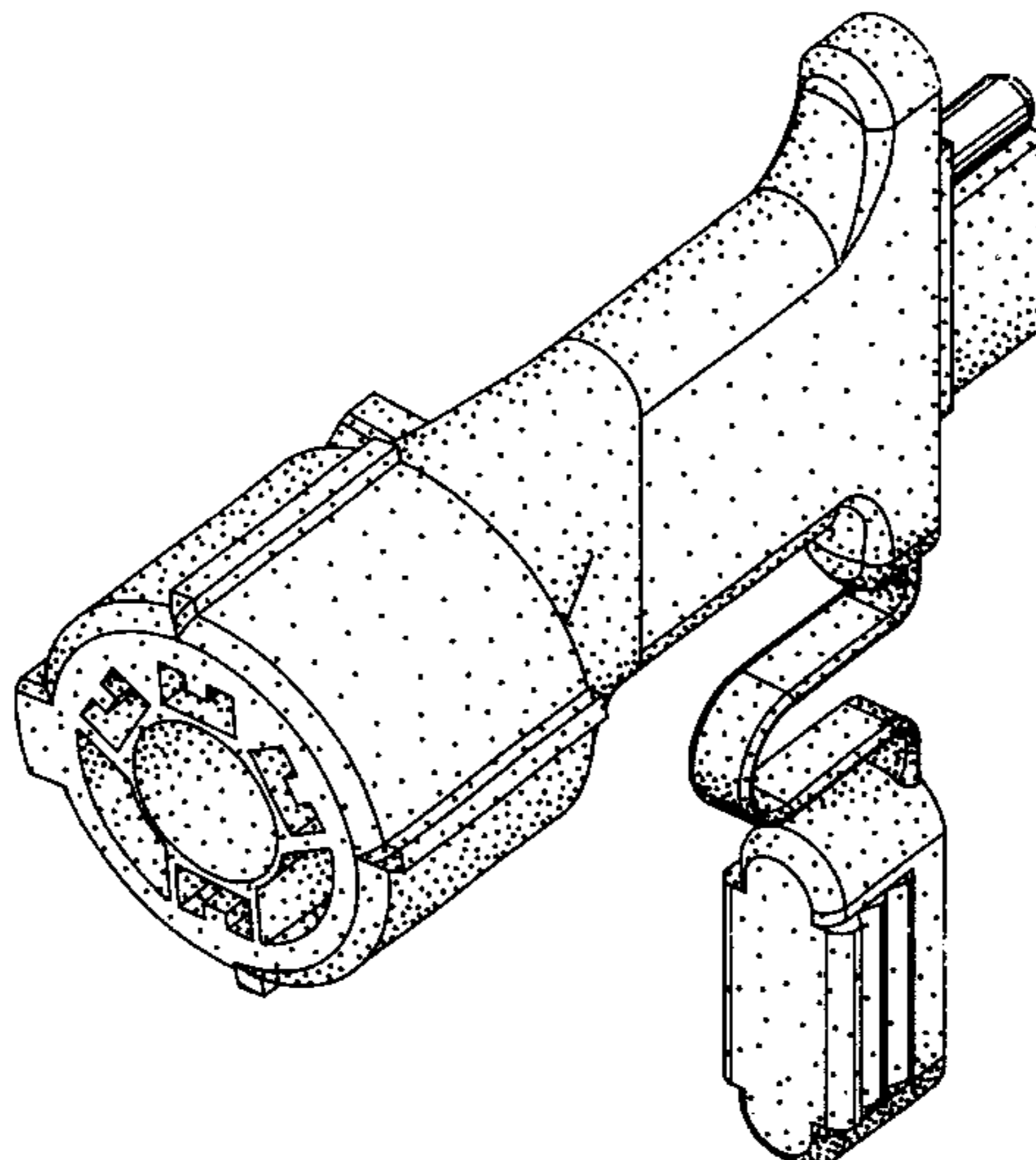
(57) **CLAIM**

The ornamental design for a trailer adapter plug, substantially as shown and described.

DESCRIPTION

FIG. 1 is a perspective view of a first embodiment of a trailer adapter plug of the invention;
 FIG. 2 is a right side view of the trailer adapter plug shown in FIG. 1;
 FIG. 3 is a front view of the trailer adapter plug shown in FIG. 1;
 FIG. 4 is a rear view of the trailer adapter plug shown in FIG. 1;
 FIG. 5 is a top view of the trailer adapter plug shown in FIG. 1;
 FIG. 6 is a bottom view of the trailer adapter plug shown in FIG. 1;
 FIG. 7 is prospective view of a second embodiment of a trailer adapter plug of the invention;
 FIG. 8 is a top view of the trailer plug shown in FIG. 7; and
 FIG. 9 is a front view of the trailer plug shown in FIG. 7; and,
 FIG. 10 is a rear view of the trailer plug shown in FIG. 7.

1 Claim, 2 Drawing Sheets



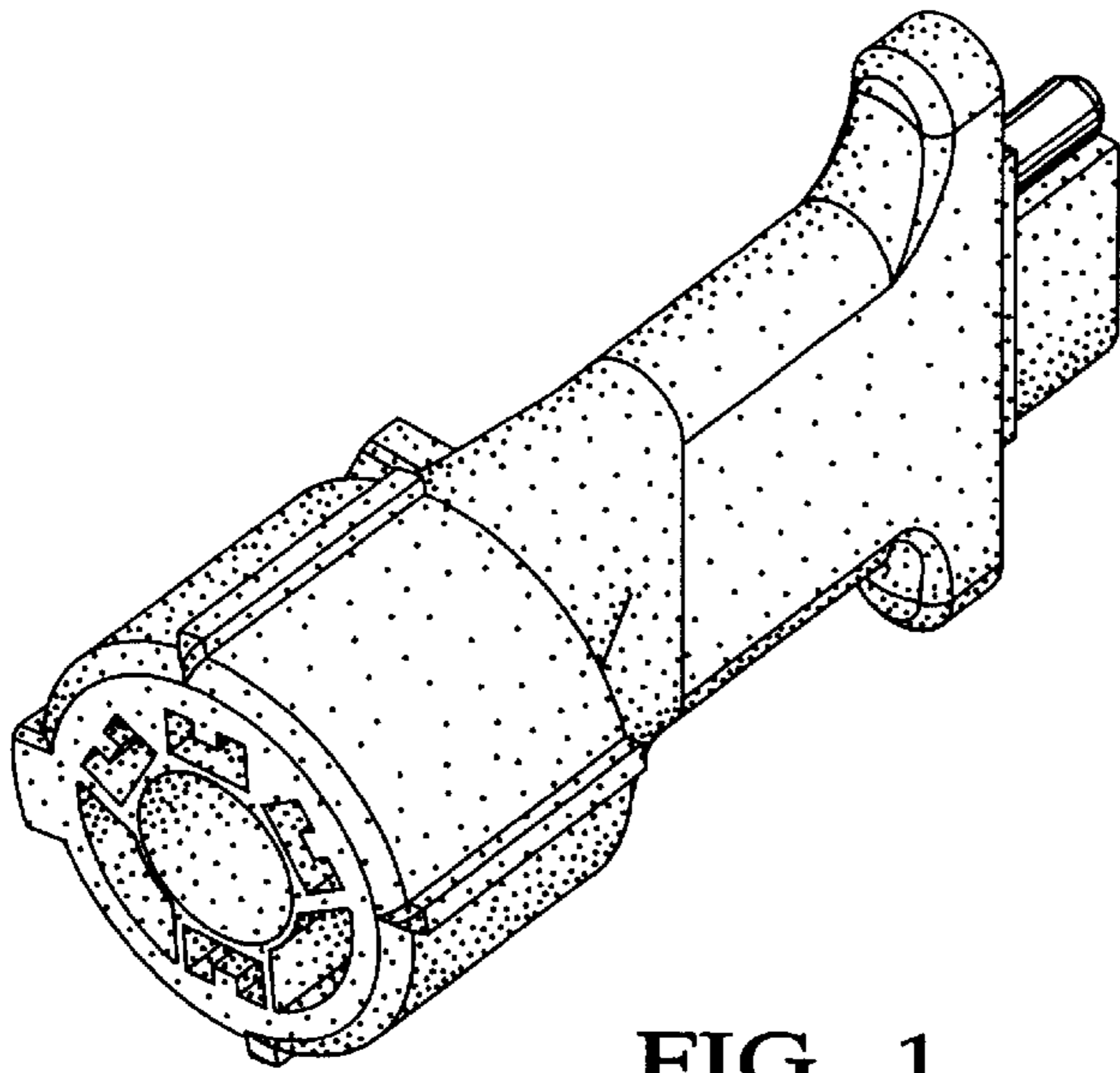


FIG. 1

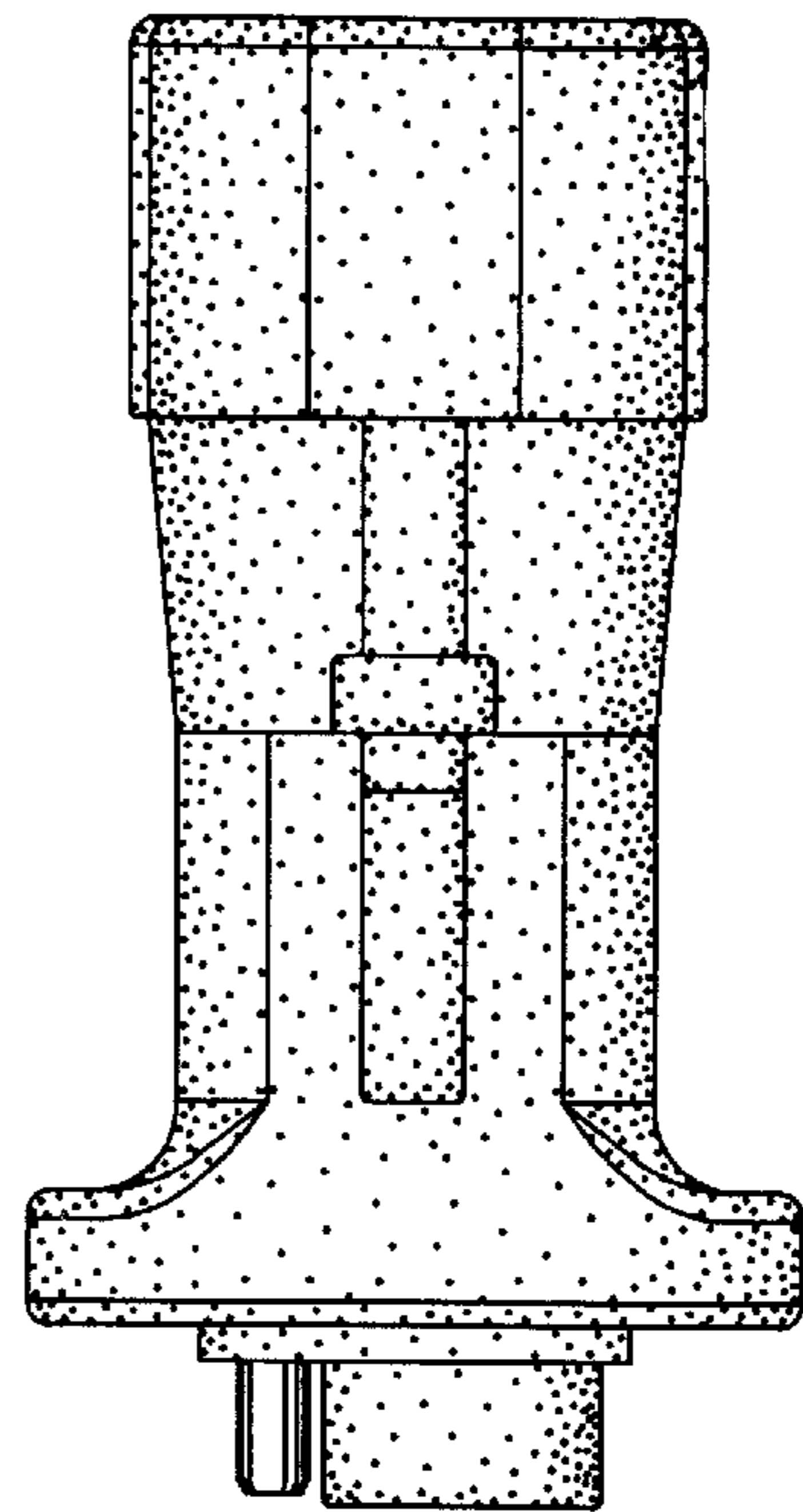


FIG. 5

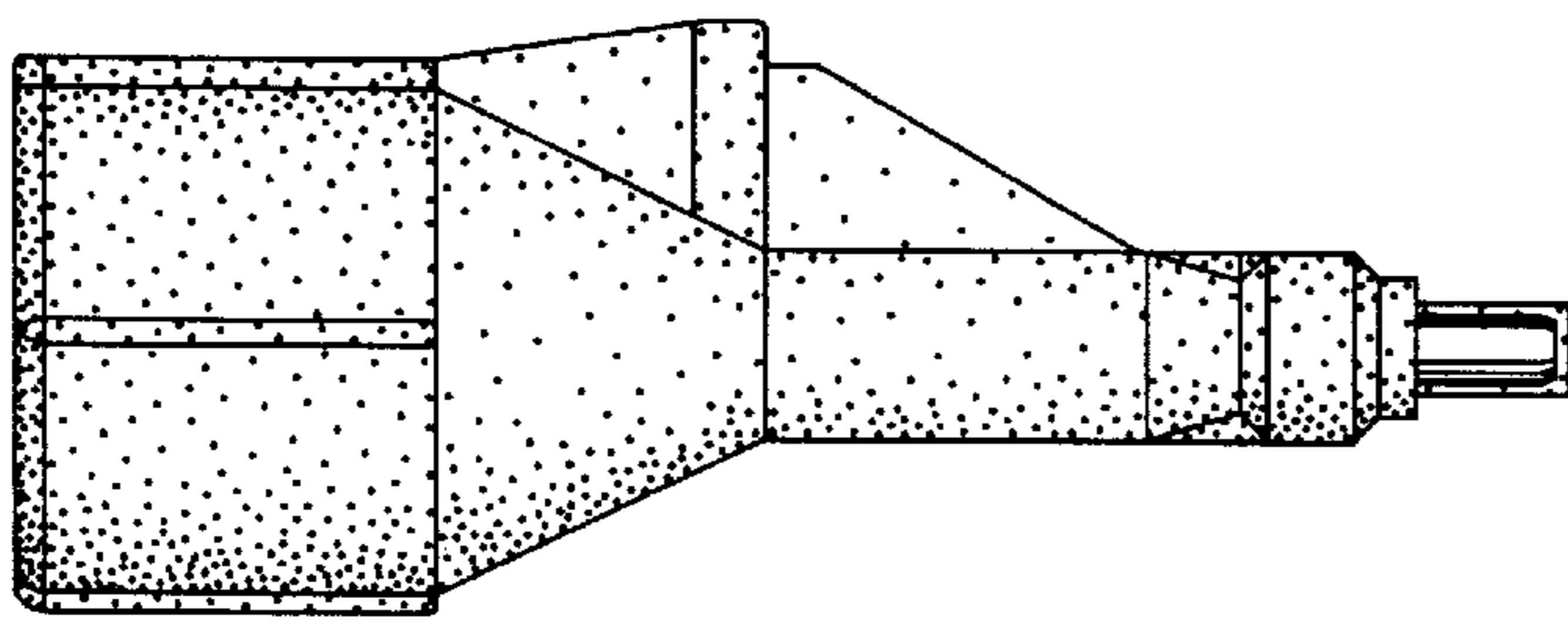


FIG. 2

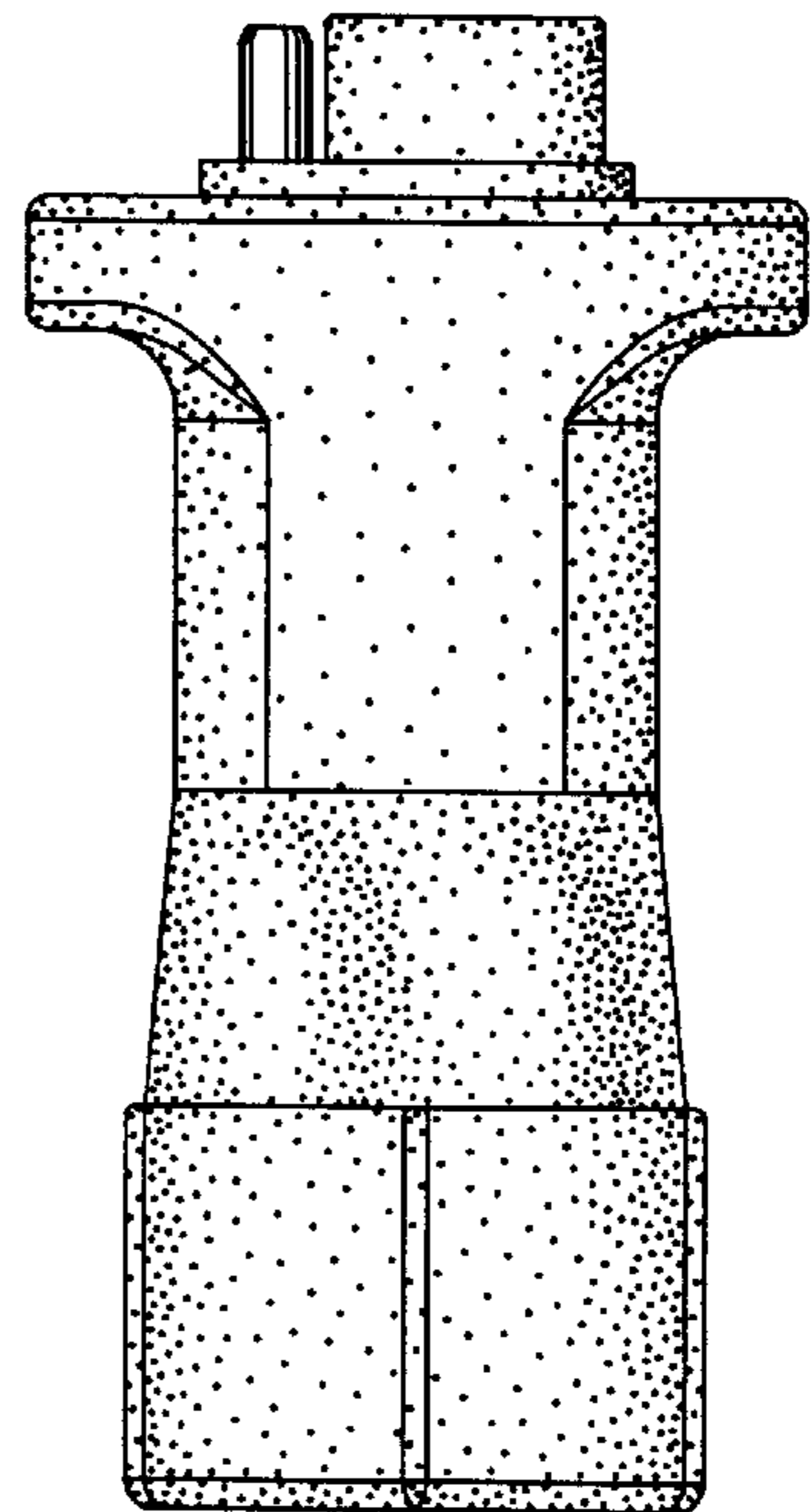


FIG. 6

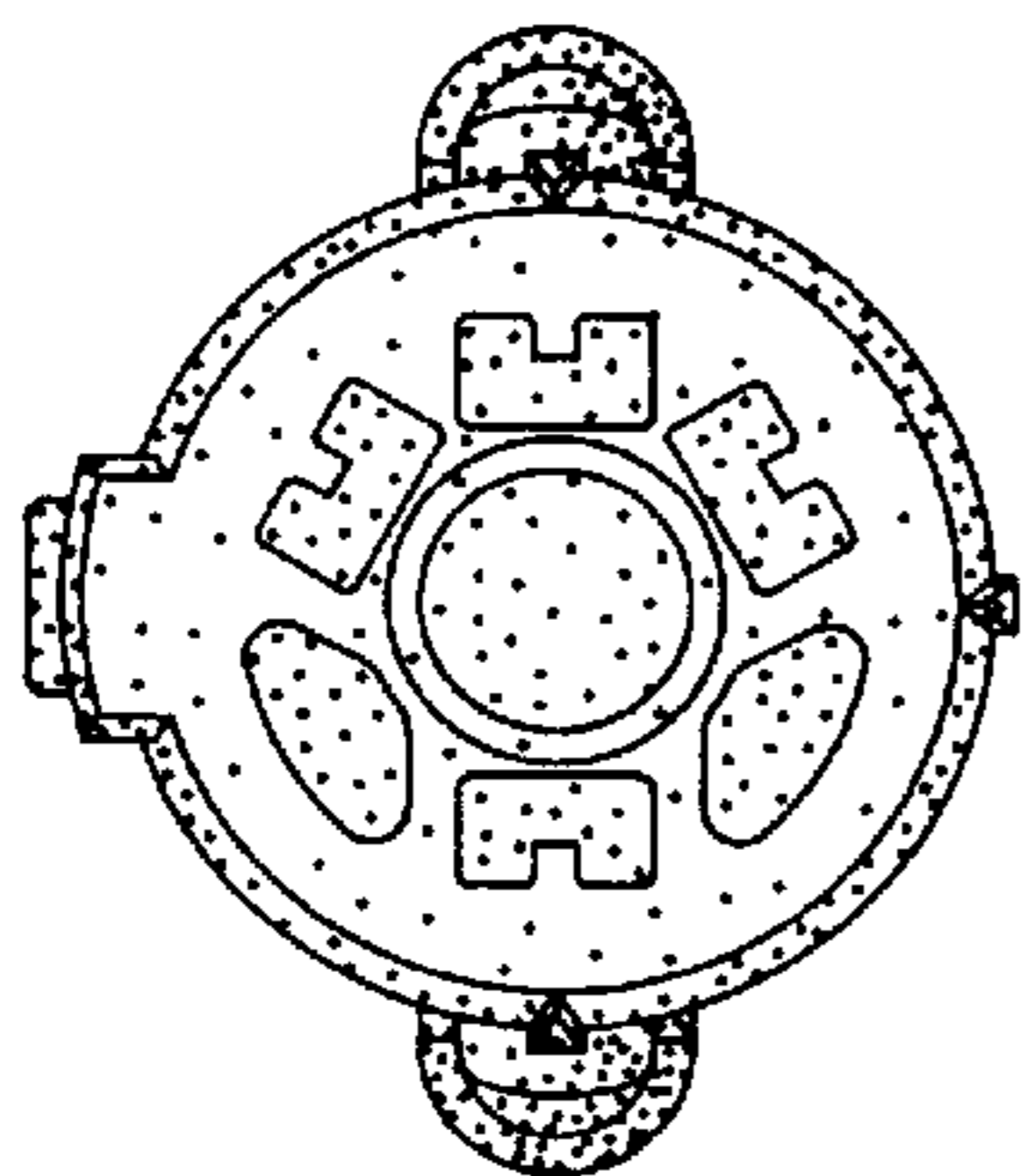


FIG. 3

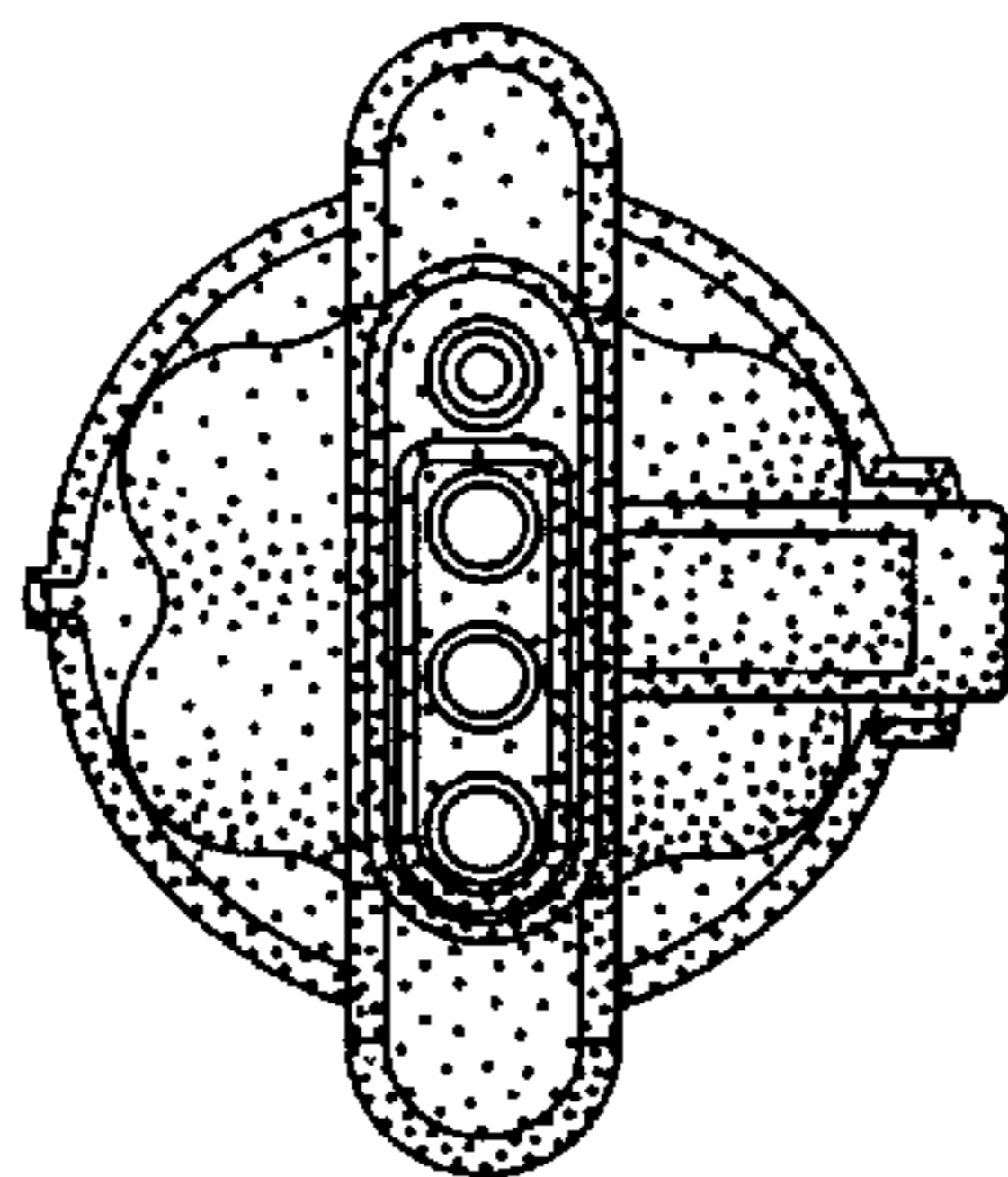


FIG. 4

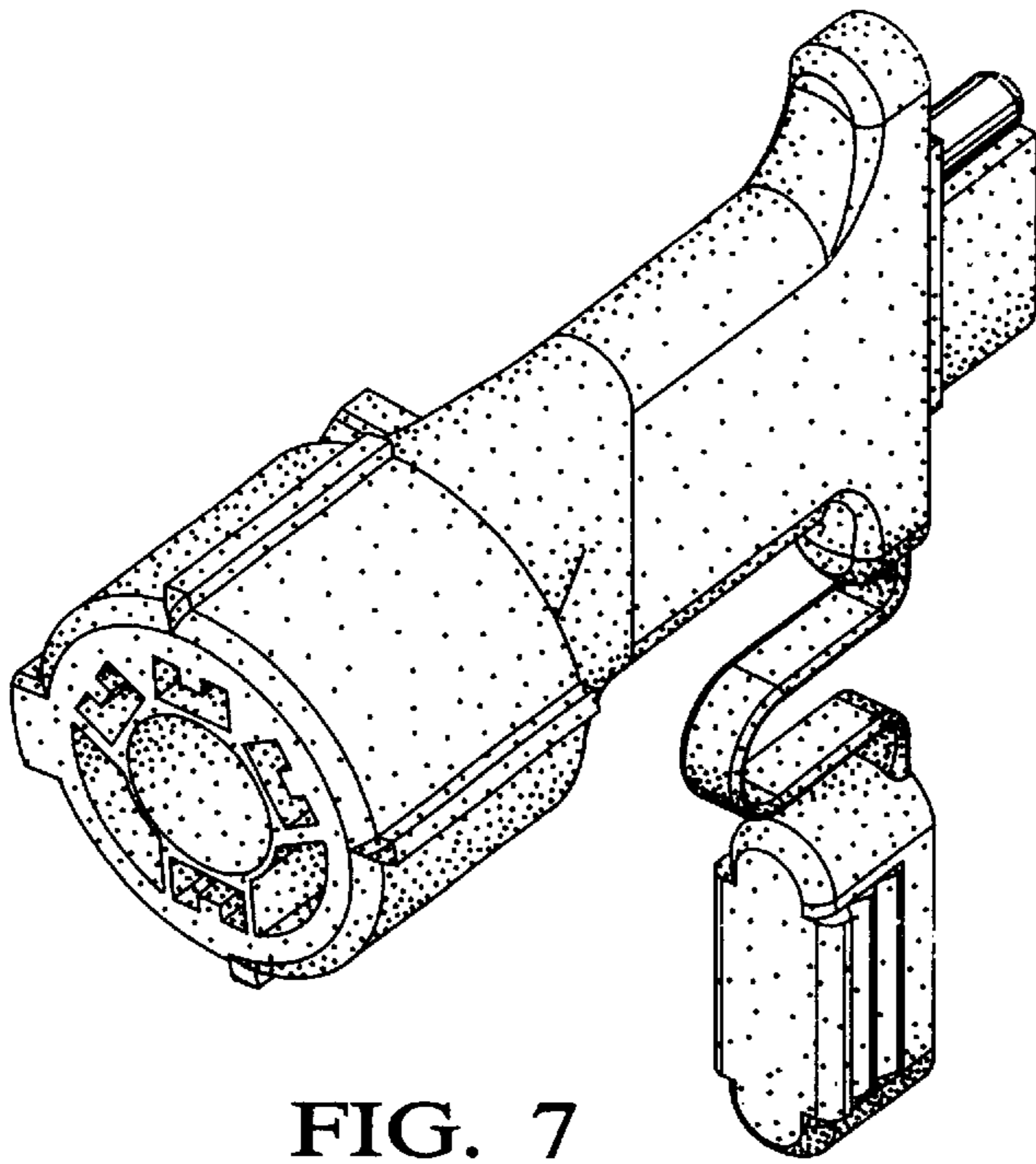


FIG. 7

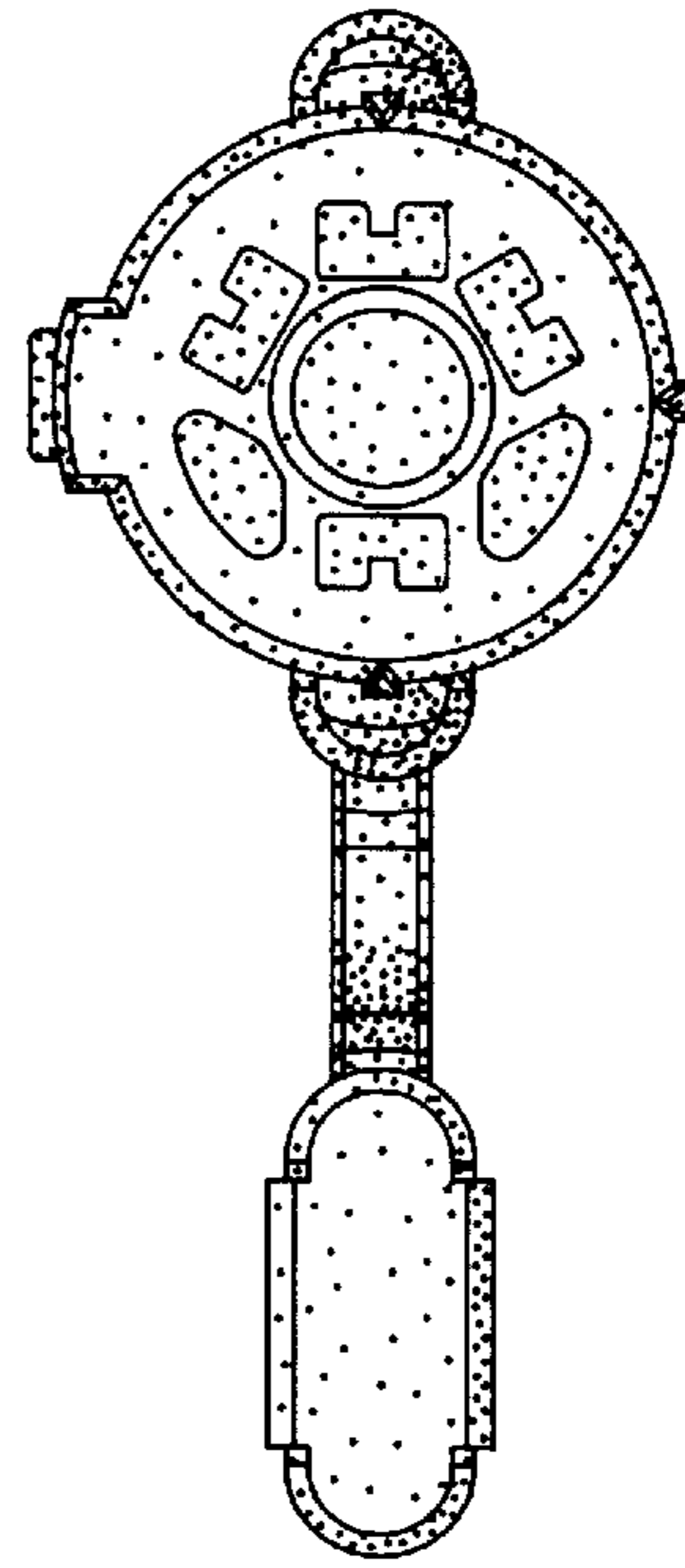


FIG. 9

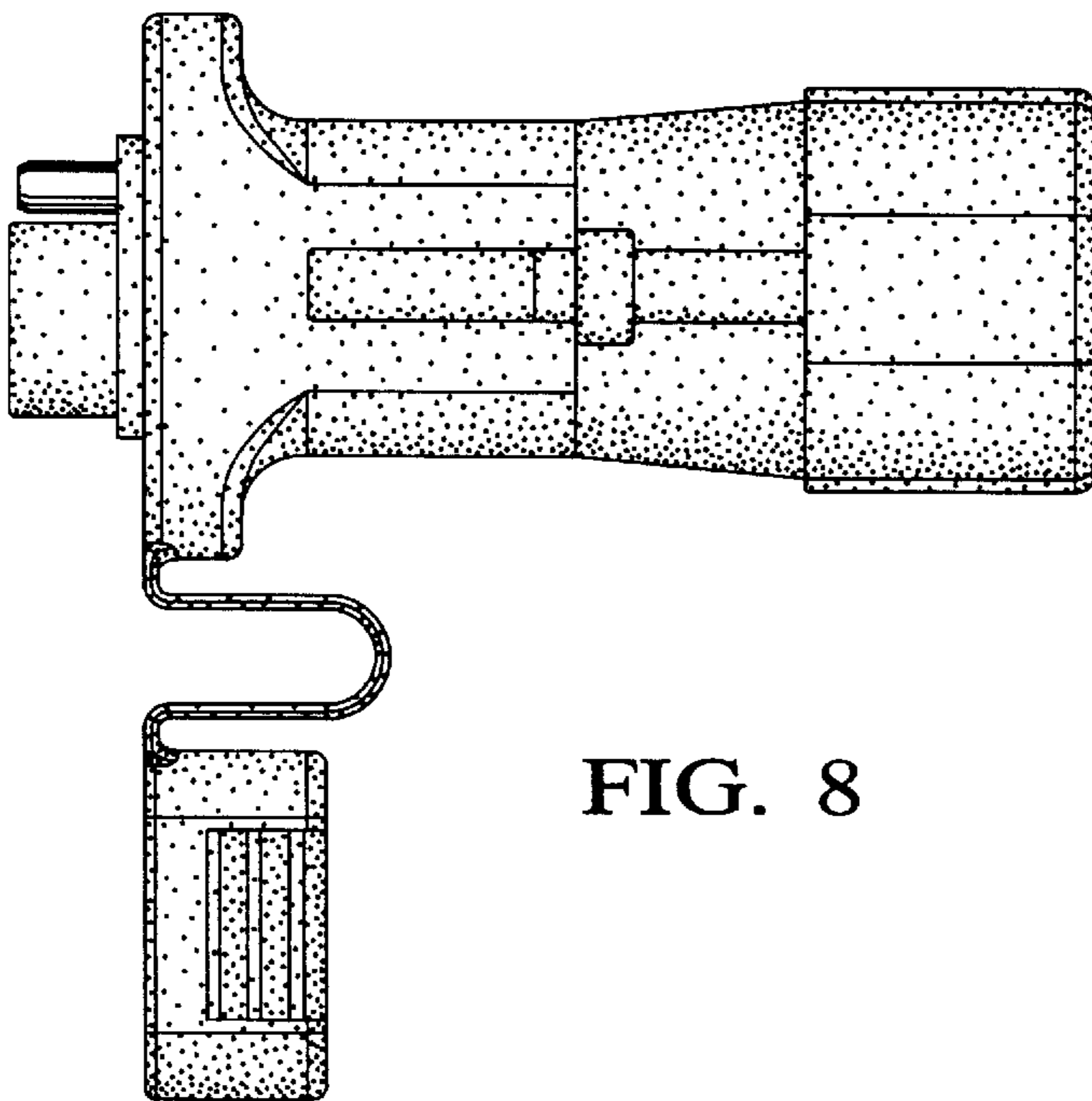


FIG. 8

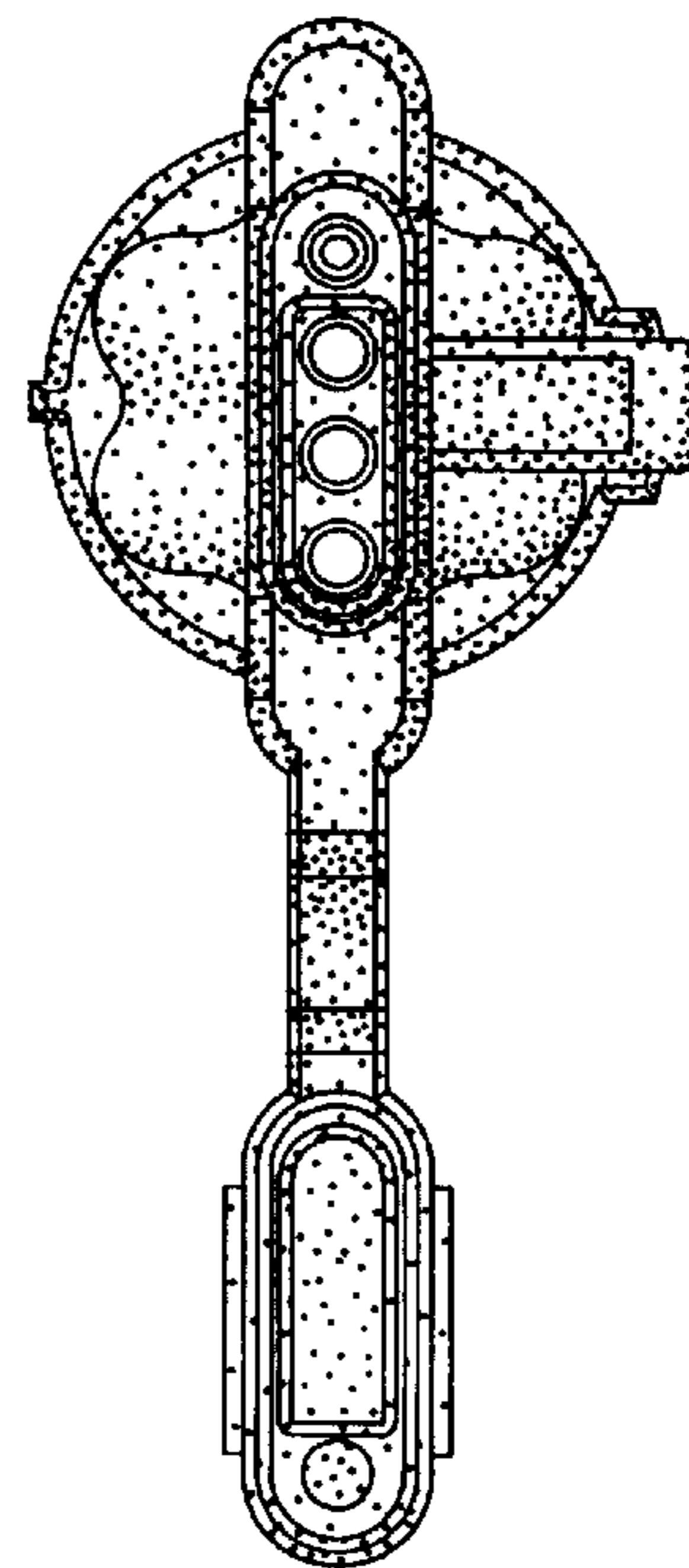


FIG. 10