



US00D468685S

(12) **United States Design Patent**  
**Jacobs et al.**

(10) **Patent No.:** **US D468,685 S**  
(45) **Date of Patent:** **\*\* Jan. 14, 2003**

(54) **DESK TOP BATTERY CHARGER FOR A PORTABLE PHONE**

(75) Inventors: **Paul E. Jacobs**, La Jolla, CA (US);  
**Susan M. Hennenfent**, San Diego, CA (US);  
**John K. M. Lee**, Ramona, CA (US);  
**John E. Maldney**, San Diego, CA (US);  
**Raymond Rocha**, Carlsbad, CA (US);  
**John Raff**, Menlo Park, CA (US);  
**Donald MacDougall**, Palo Alto, CA (US)

(73) Assignee: **Qualcomm, Incorporated**, San Diego, CA (US)

(\*\*) Term: **14 Years**

(21) Appl. No.: **29/083,964**

(22) Filed: **Feb. 20, 1998**

(51) **LOC (7) Cl.** ..... **13-02**

(52) **U.S. Cl.** ..... **D13/107**

(58) **Field of Search** ..... D13/107, 108;  
D14/253; 320/110-115

(56) **References Cited**

**U.S. PATENT DOCUMENTS**

D206,590 S \* 1/1967 Haggstrom et al. .... D13/108  
D277,662 S \* 2/1985 Huntington et al. .... D13/107

D313,221 S \* 12/1990 Skully et al. .... D13/108  
5,052,943 A \* 10/1991 Davis ..... D13/107 X  
D338,673 S \* 8/1993 Lewis ..... D14/218  
D369,163 S \* 4/1996 Leung et al. .... D14/150  
D399,244 S \* 10/1998 Coveley ..... D18/4  
D411,824 S \* 7/1999 Wilson, Sr. et al. .... D13/108  
5,946,637 A \* 8/1999 Umbach et al. .... 320/113 X  
6,348,776 B2 \* 2/2002 Kim ..... 320/110

\* cited by examiner

*Primary Examiner*—Joel Sincavage

(74) *Attorney, Agent, or Firm*—Philip R. Wadsworth;  
Charles D. Brown; Howard H. Seo

(57) **CLAIM**

We claim the ornamental design for a desk top battery charger for a portable phone, as shown.

**DESCRIPTION**

FIG. 1 is a top, front and right side perspective view of a desk top battery charger for a portable phone showing our new design.

FIG. 2 is a top, rear and right side perspective thereof.

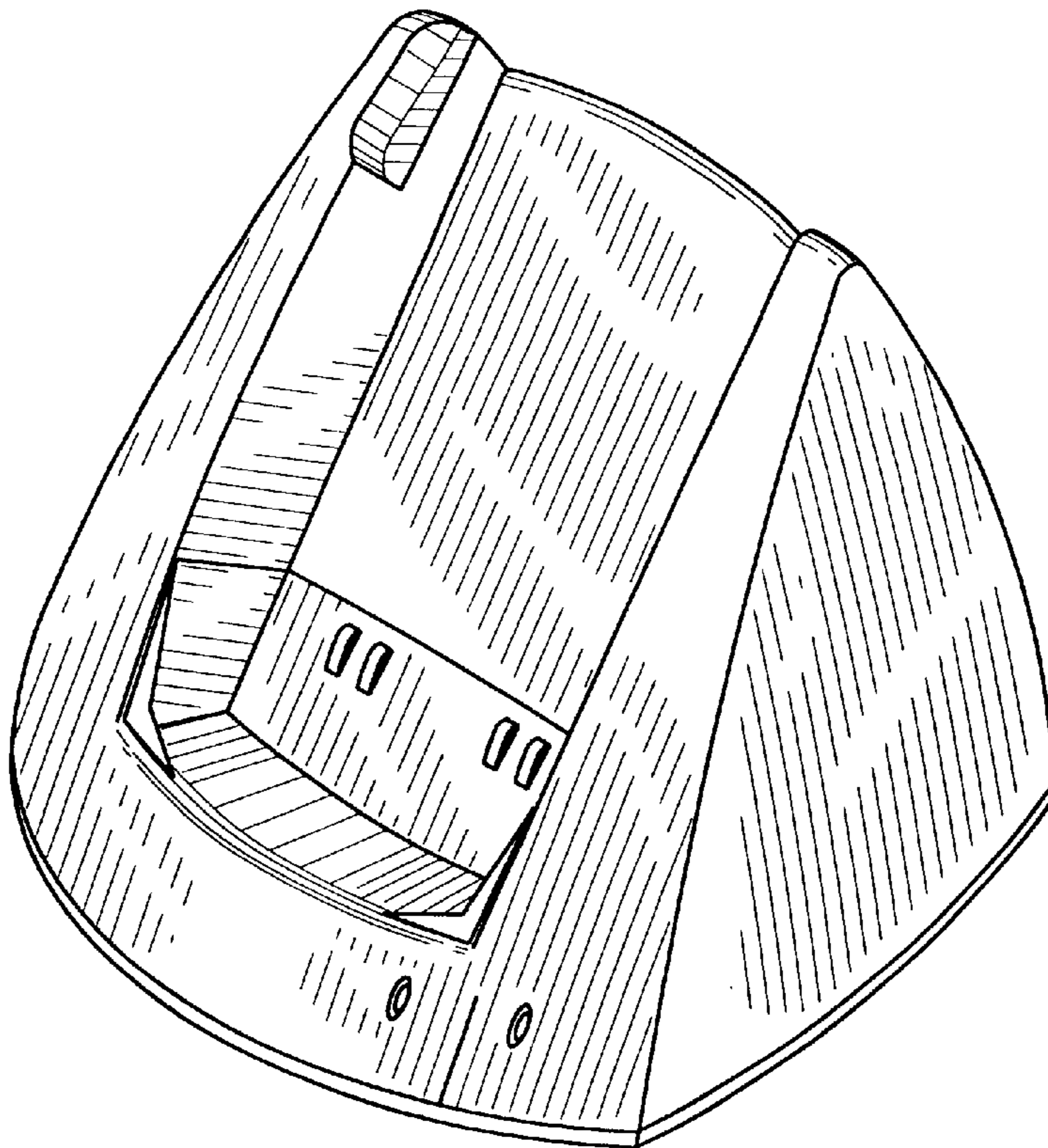
FIG. 3 is a left side elevational view thereof.

FIG. 4 is a top plan view thereof.

FIG. 5 is a rear side elevational view thereof; and,

FIG. 6 is a bottom side plan view thereof.

**1 Claim, 3 Drawing Sheets**



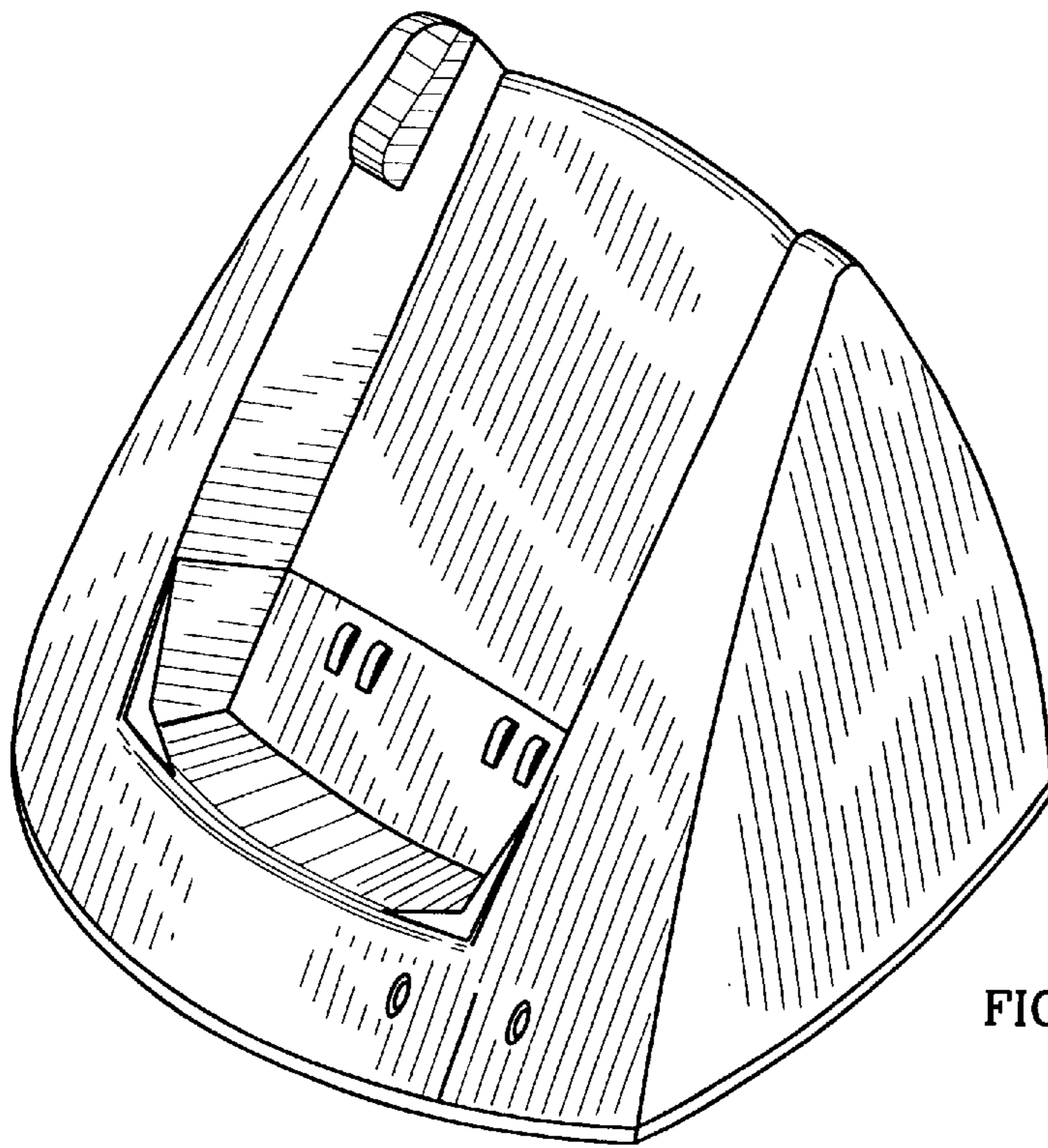


FIG. 1

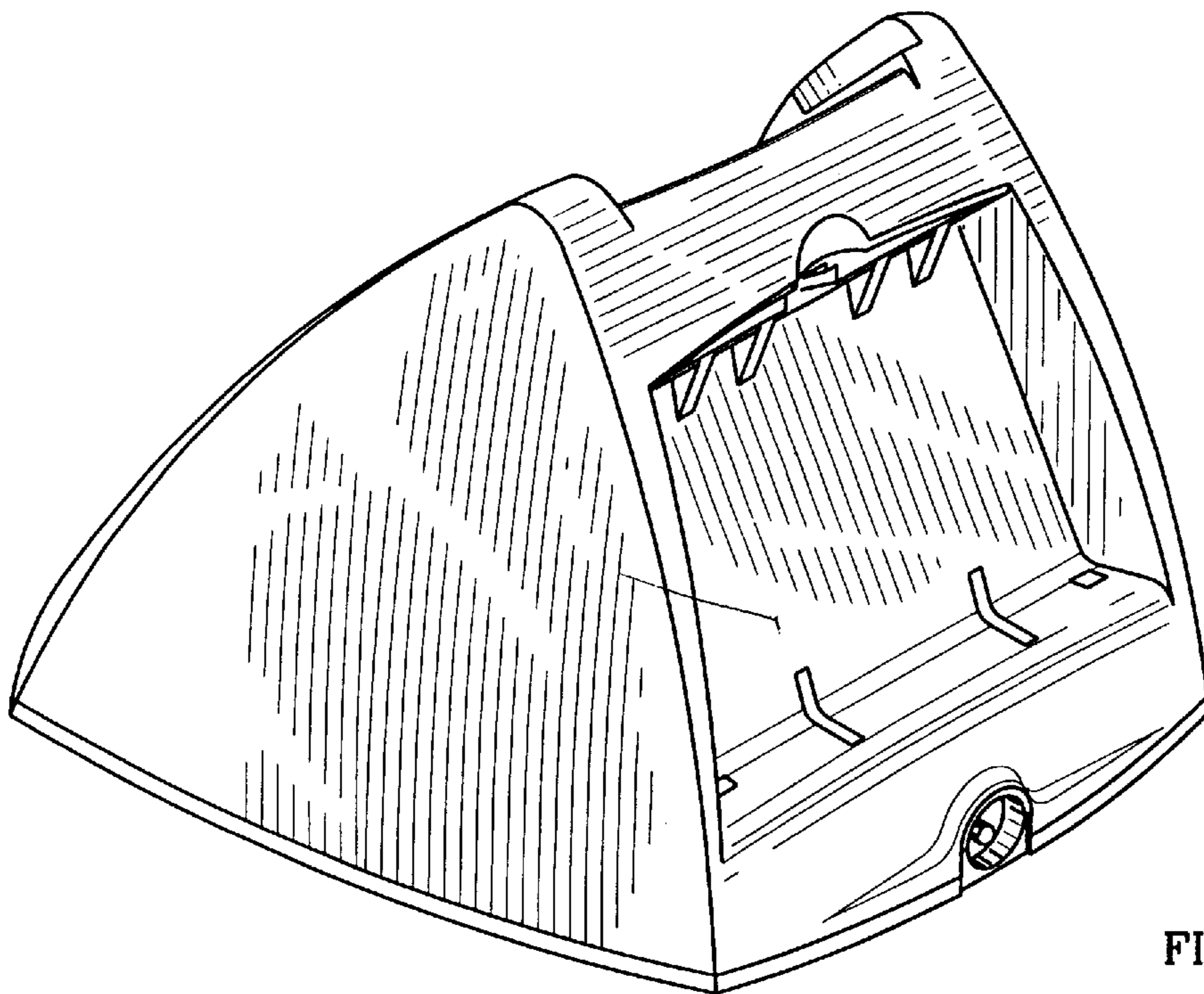


FIG. 2

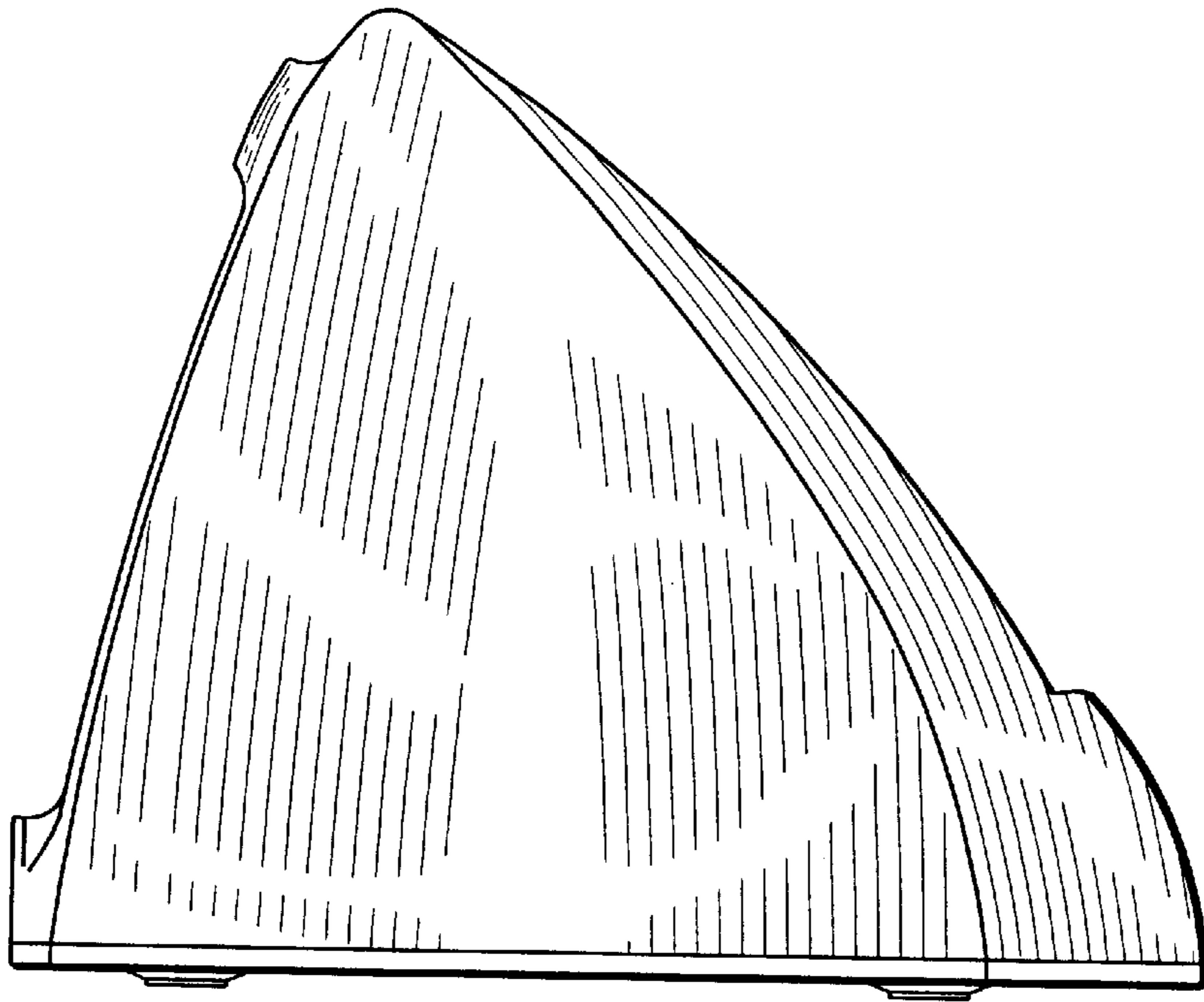


FIG. 3

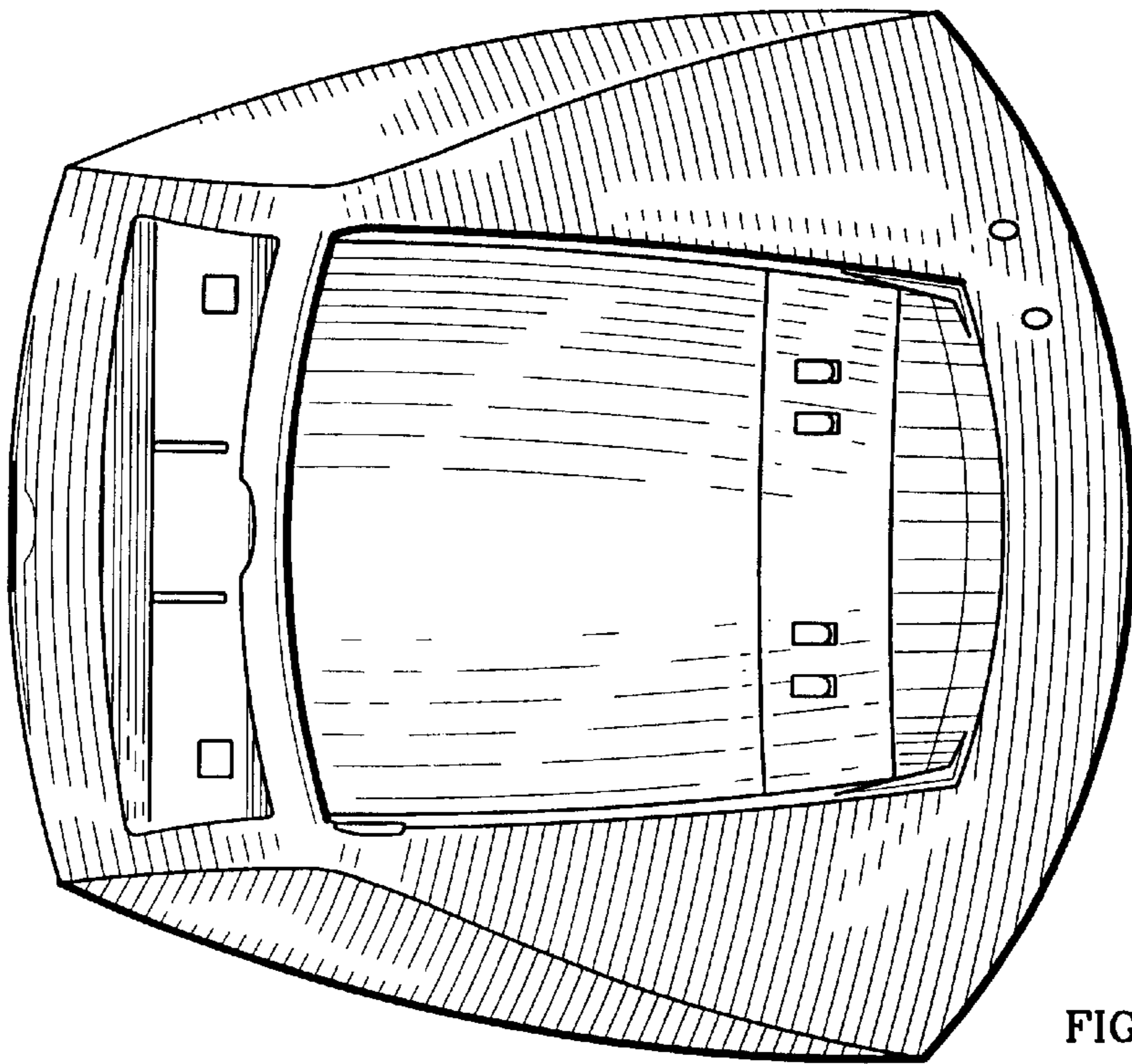


FIG. 4

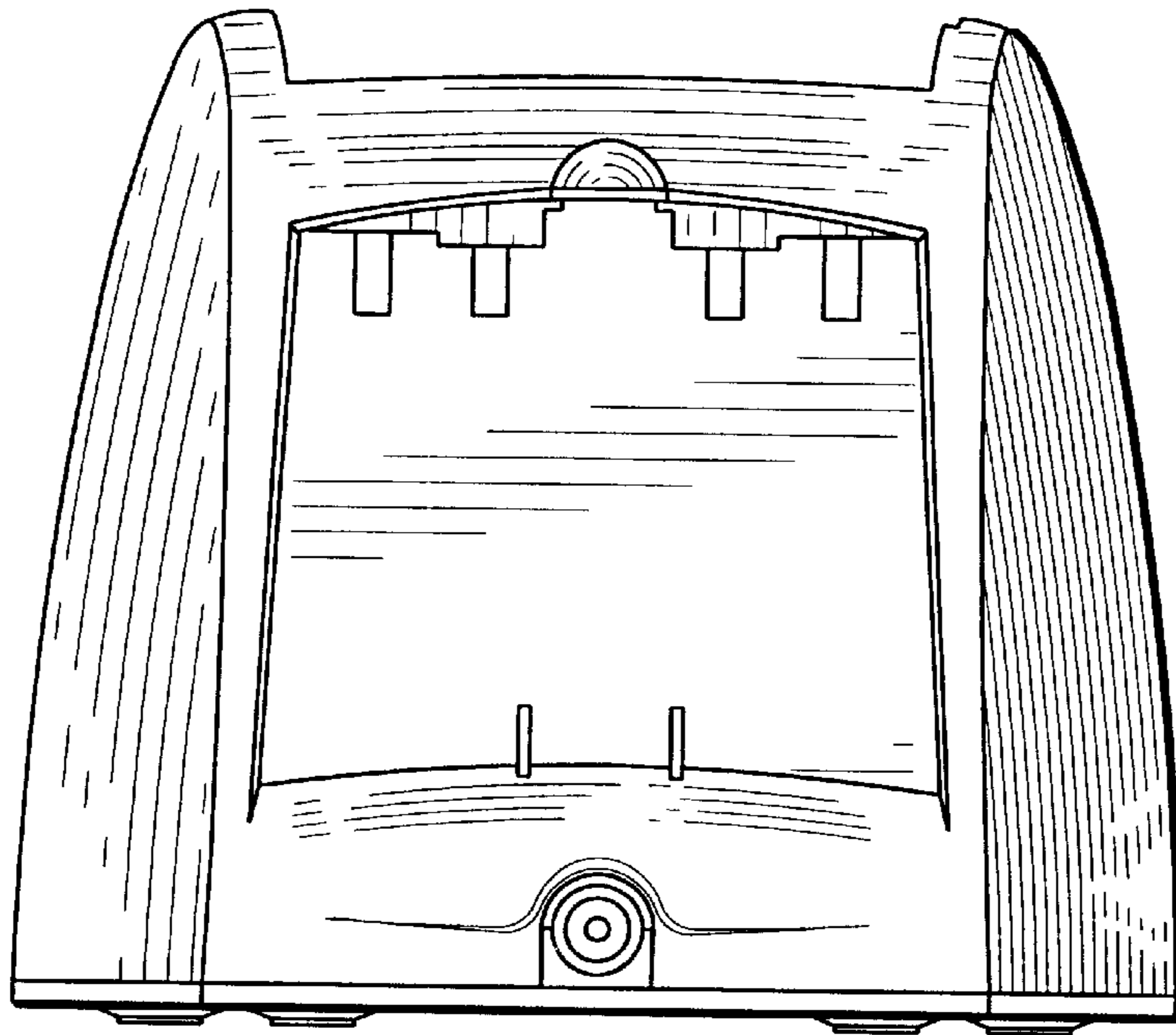


FIG. 5

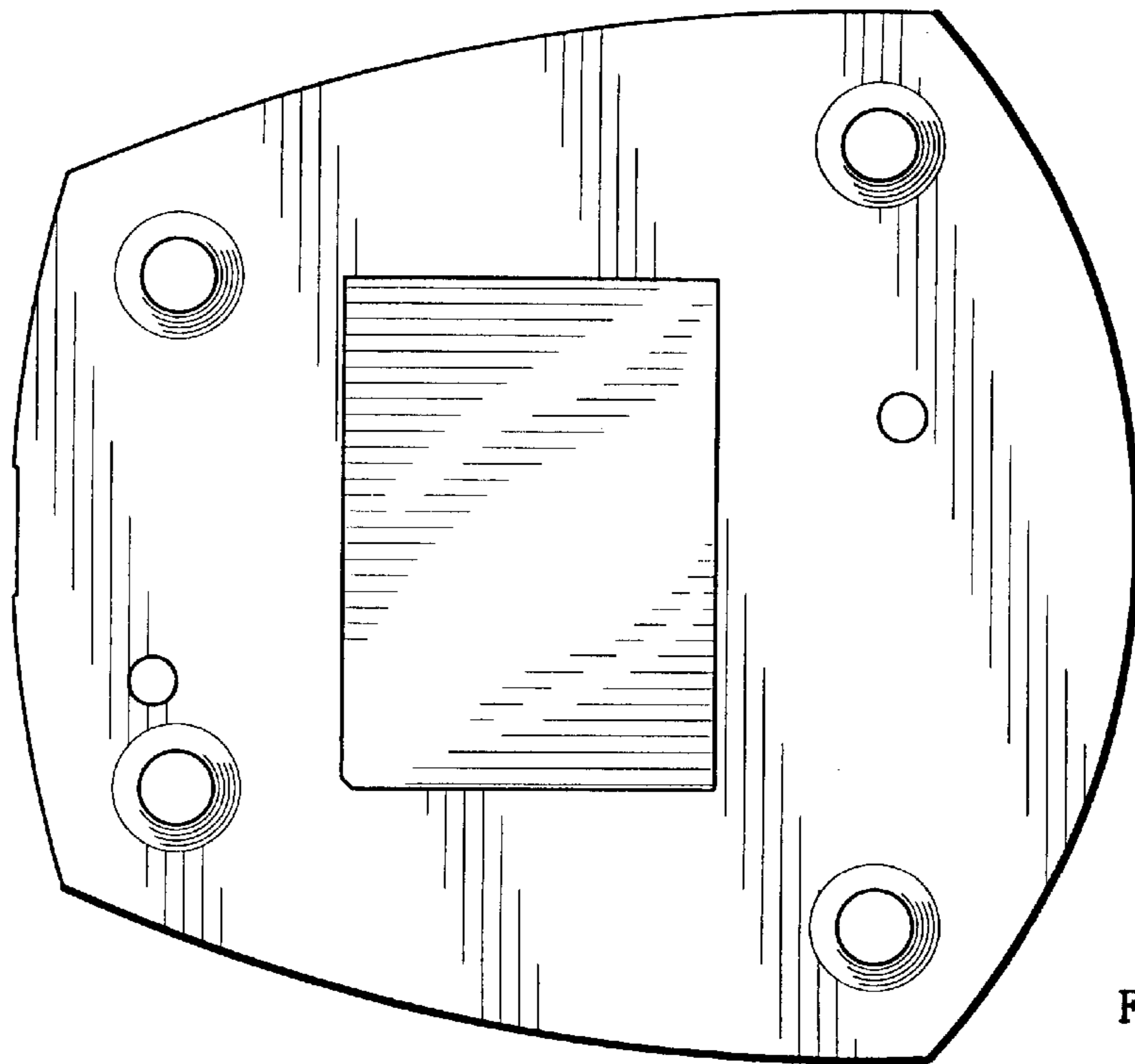


FIG. 6