



US00D468683S

(12) **United States Design Patent**
Maurer

(10) **Patent No.:** **US D468,683 S**

(45) **Date of Patent:** **** Jan. 14, 2003**

(54) **PRESSURE TRANSDUCER**

(75) **Inventor:** **D. Joseph Maurer**, Pearl City, IL (US)

(73) **Assignee:** **Honeywell International Inc.**,
Morristown, NJ (US)

(**) **Term:** **14 Years**

(21) **Appl. No.:** **29/142,838**

(22) **Filed:** **Jun. 1, 2001**

(51) **LOC (7) Cl.** **13-02**

(52) **U.S. Cl.** **D13/101**

(58) **Field of Search** D13/101; 73/121,
73/124, 126, 127; 257/254, 419; 338/2,
4, 36, 47; D10/83-85

(56) **References Cited**

U.S. PATENT DOCUMENTS

D318,646 S	7/1991	Karbassi
5,184,107 A	2/1993	Maurer
5,351,550 A	10/1994	Maurer
D382,822 S	8/1997	Maurer
5,684,253 A	11/1997	Bonne et al.
D400,812 S	11/1998	Maurer

Primary Examiner—Lisa Lichtenstein

(74) *Attorney, Agent, or Firm*—Kris T. Fredrick

(57) **CLAIM**

The ornamental design for a pressure transducer, as shown and described.

DESCRIPTION

FIG. 1 is an isometric view of an embodiment of the pressure transducer;

FIG. 2 is a top view of the embodiment shown in FIG. 1; FIG. 3 is a right side view of the embodiment shown in FIG. 1 (the left side is similar);

FIG. 4 is a front view of the embodiment shown in FIG. 1 (the rear view is similar);

FIG. 5 is a bottom view of the embodiment shown in FIG. 1;

FIG. 6 is an isometric view of another embodiment of the pressure transducer;

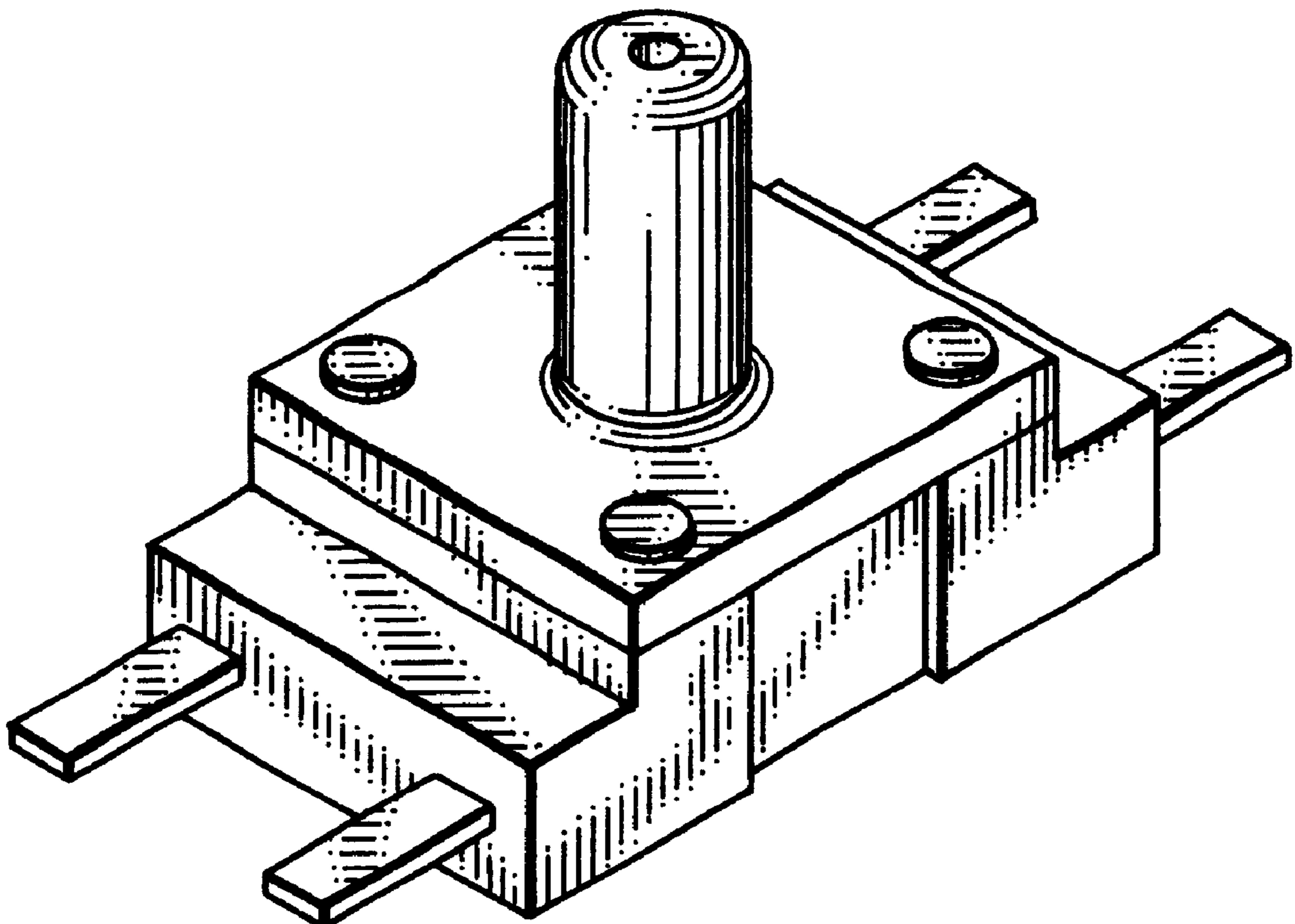
FIG. 7 is a top view of the embodiment shown in FIG. 6; FIG. 8 is a right side view of the embodiment shown in FIG. 6 (the left side is similar);

FIG. 9 is a front view of the embodiment shown in FIG. 6 (the rear view is similar); and,

FIG. 10 is a bottom view of the embodiment shown in FIG. 6.

The broken line showing of environmental structure in FIGS. 6-10 is illustrative purposes only and forms no part of the claimed design.

1 Claim, 2 Drawing Sheets



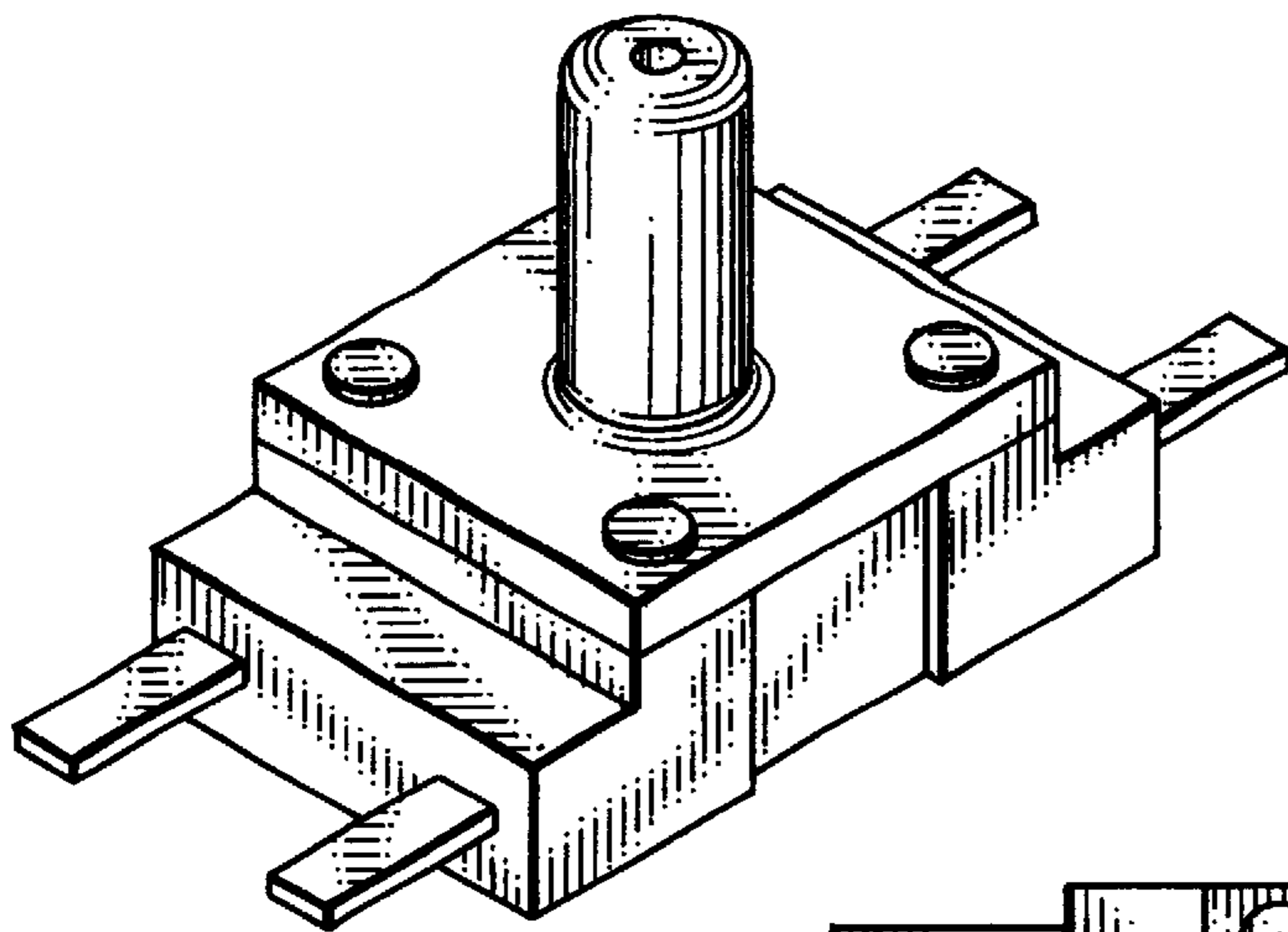


FIG. 1

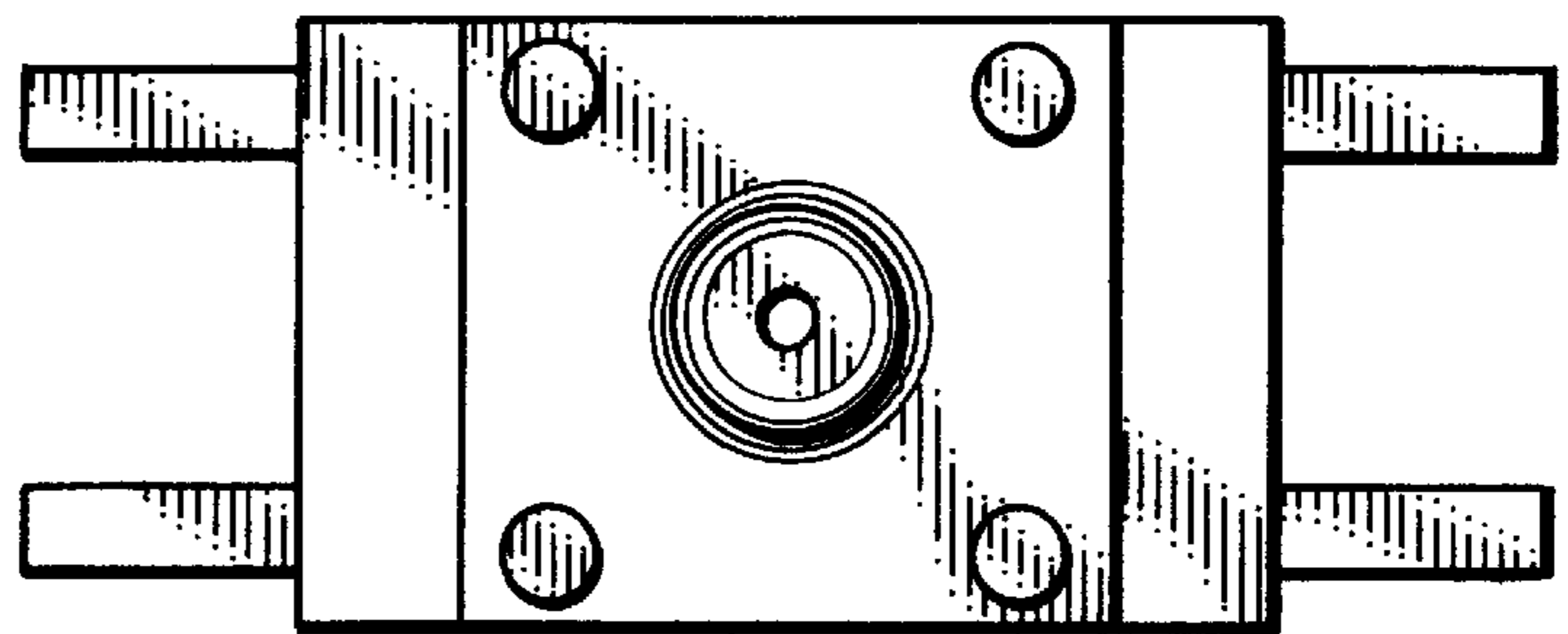


FIG. 2

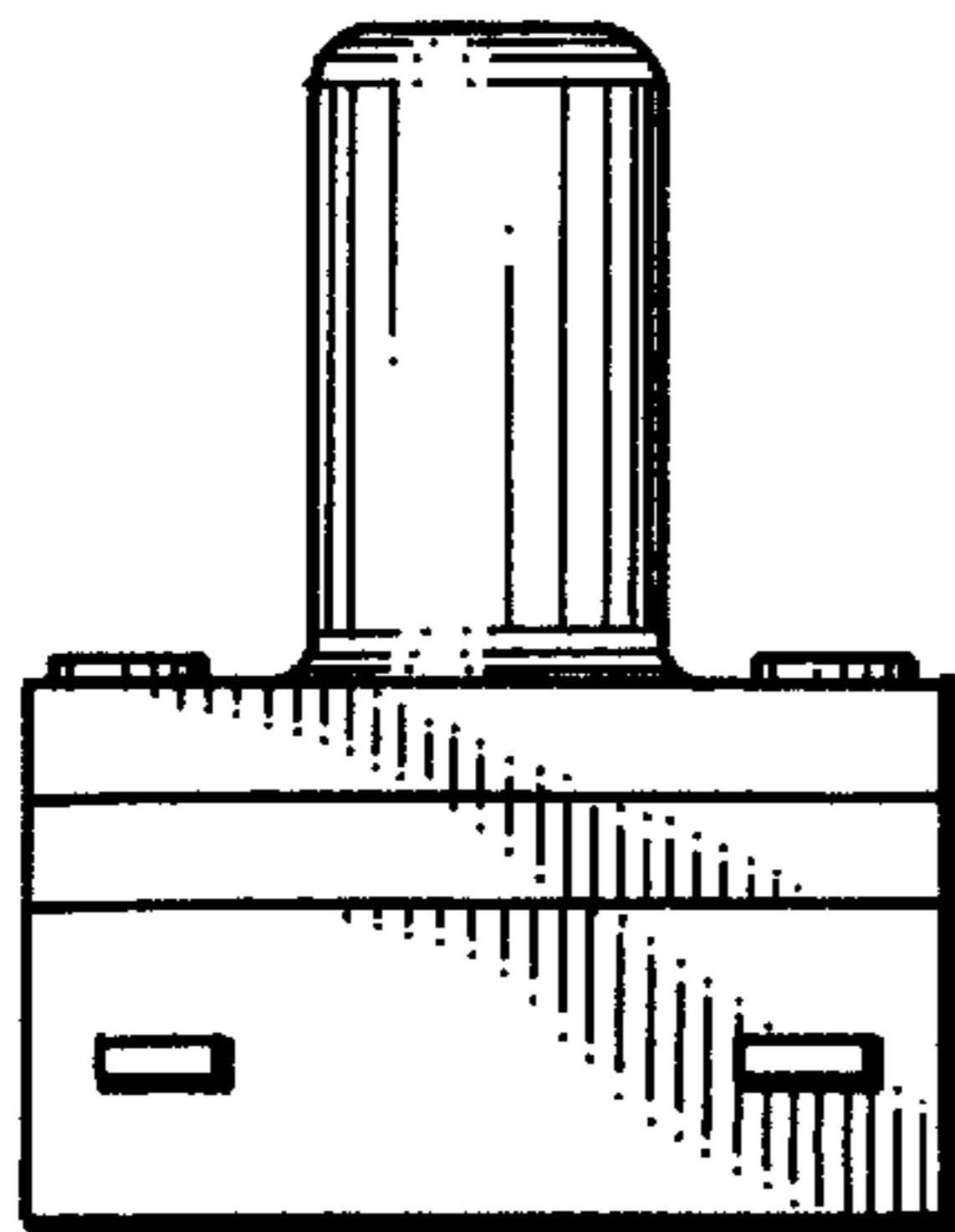


FIG. 4

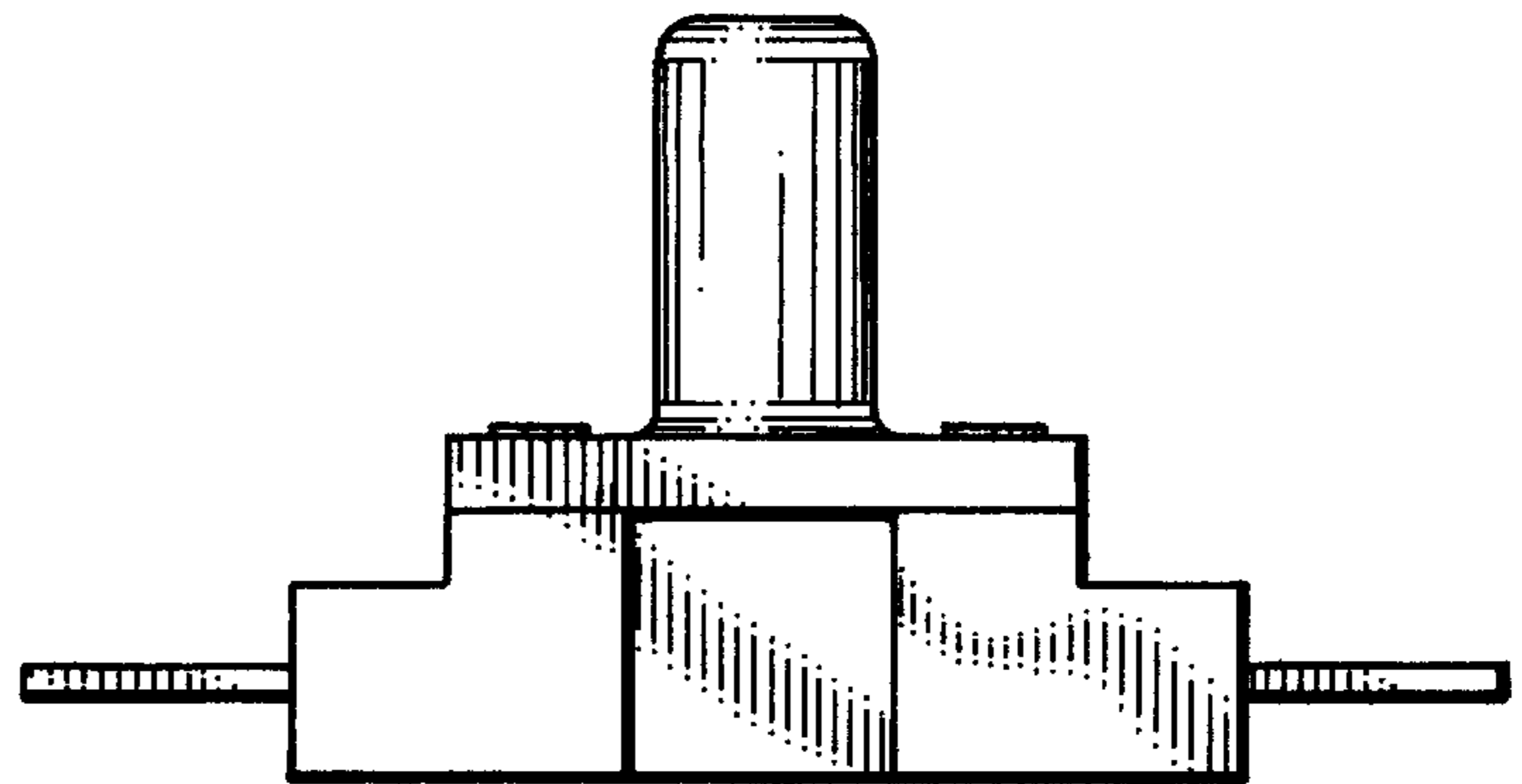


FIG. 3

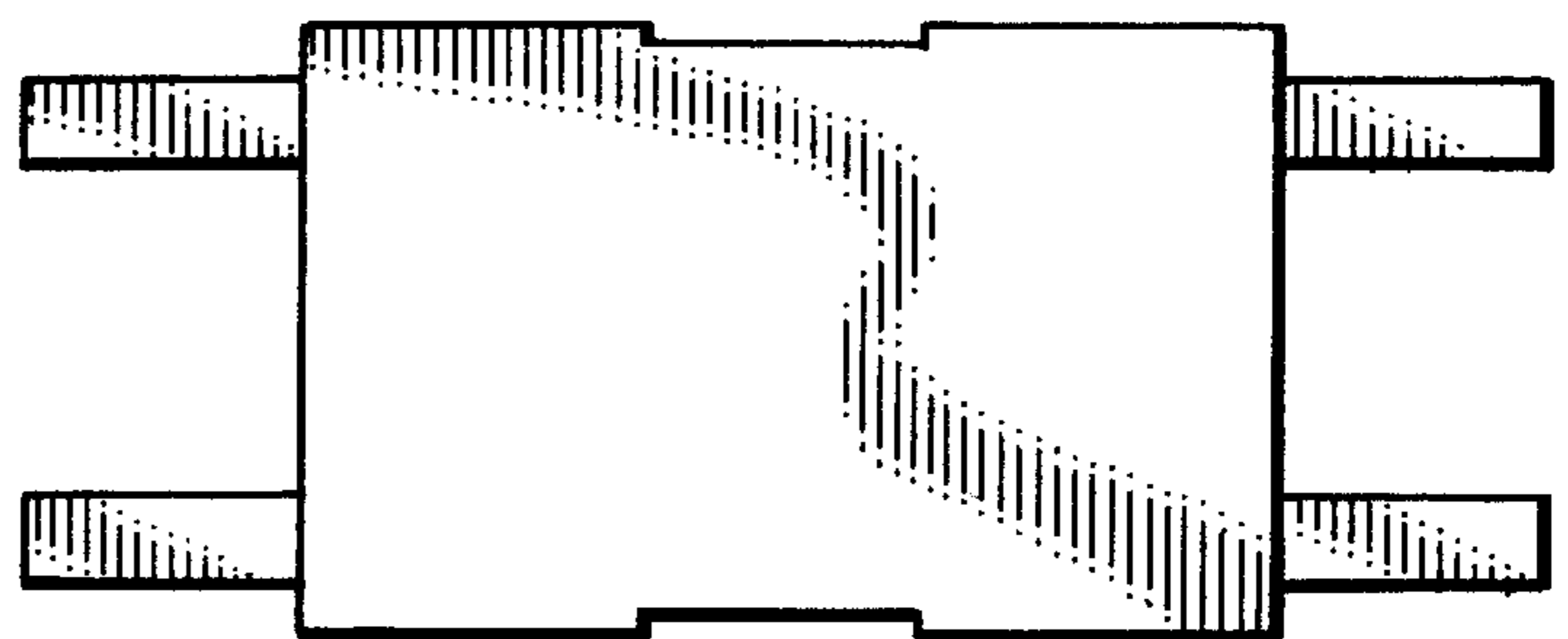


FIG. 5

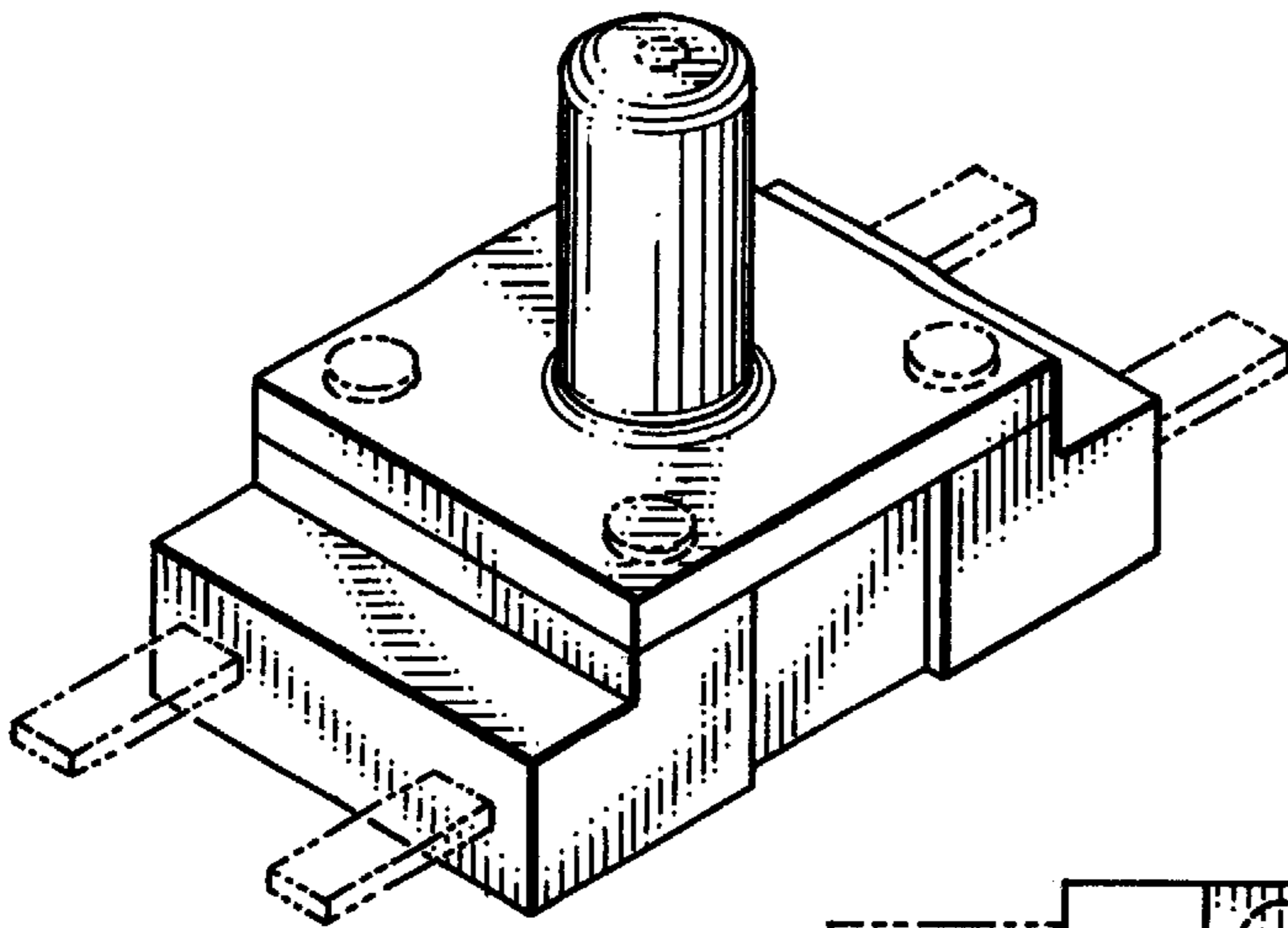


FIG. 6

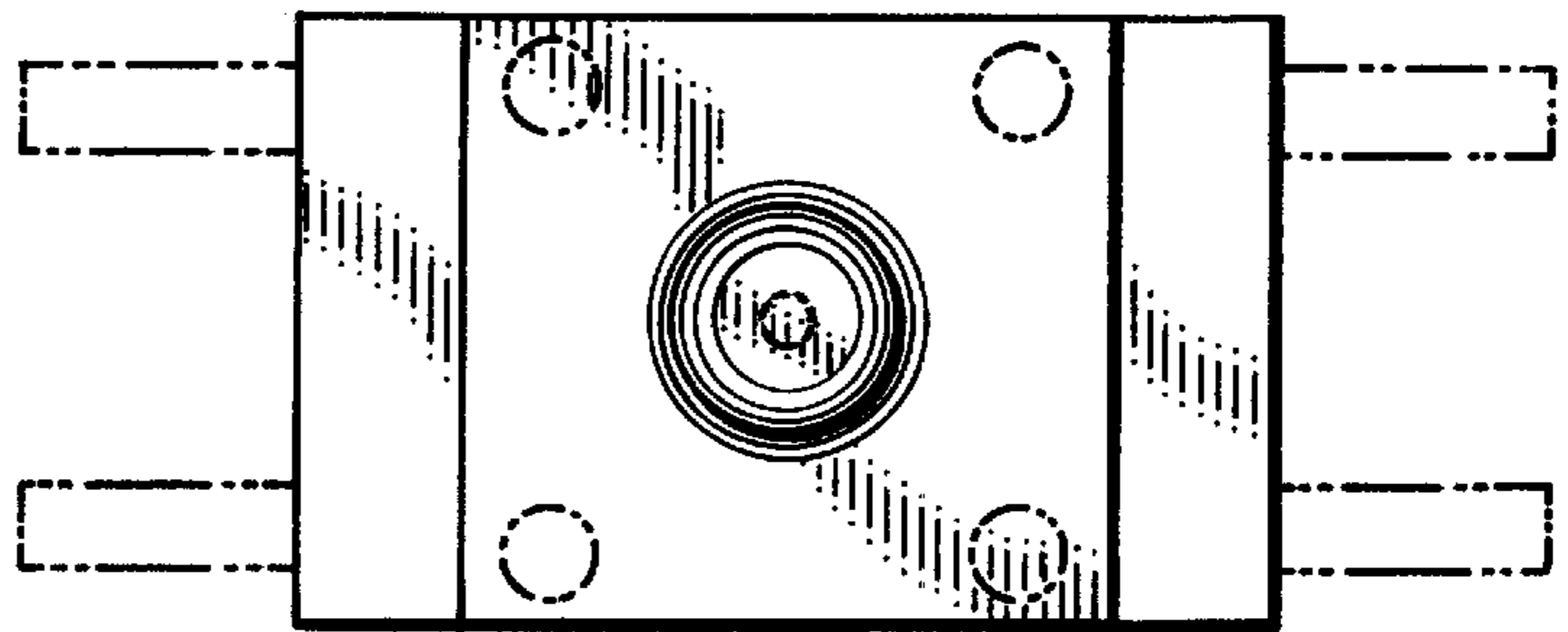


FIG. 7

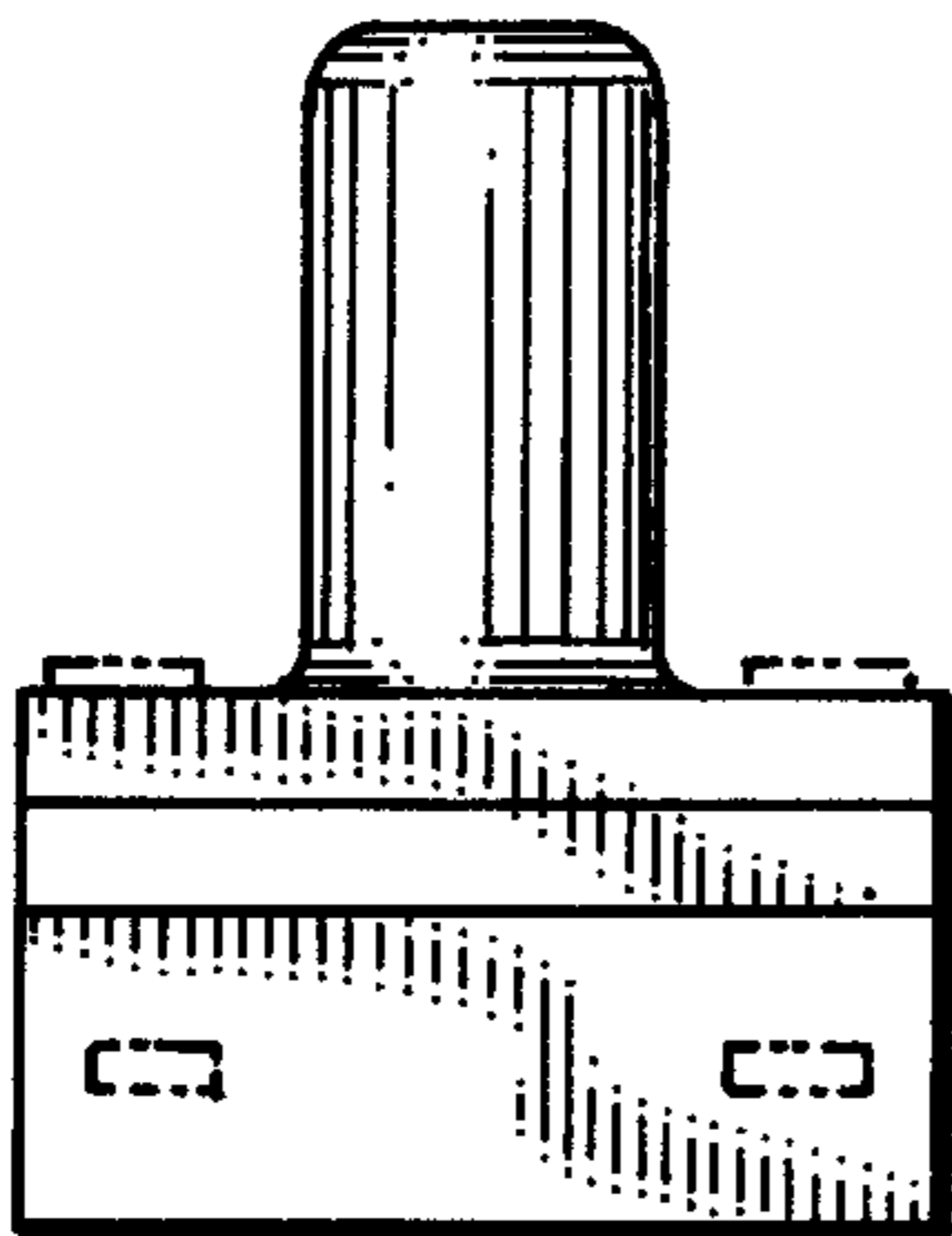


FIG. 9

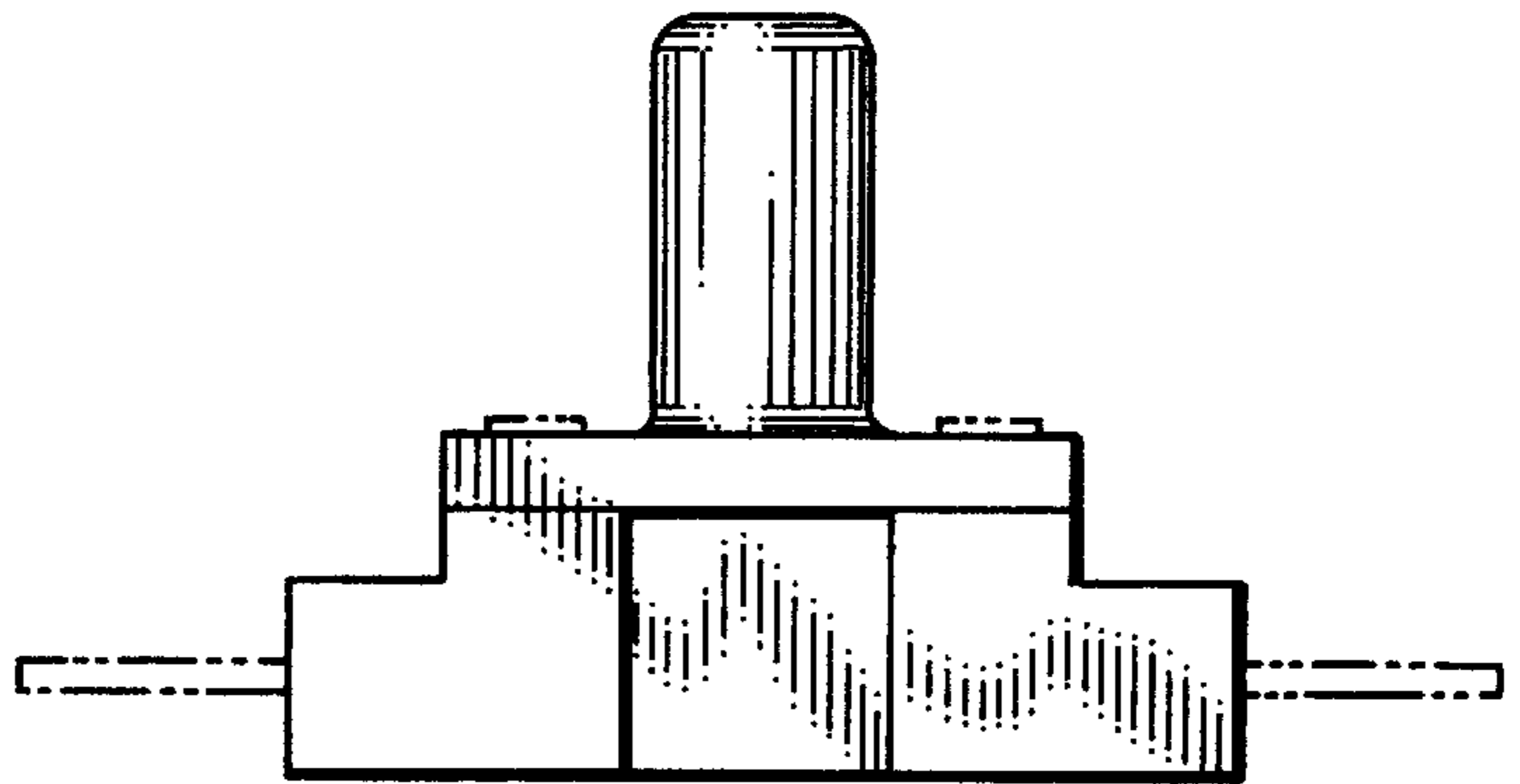


FIG. 8

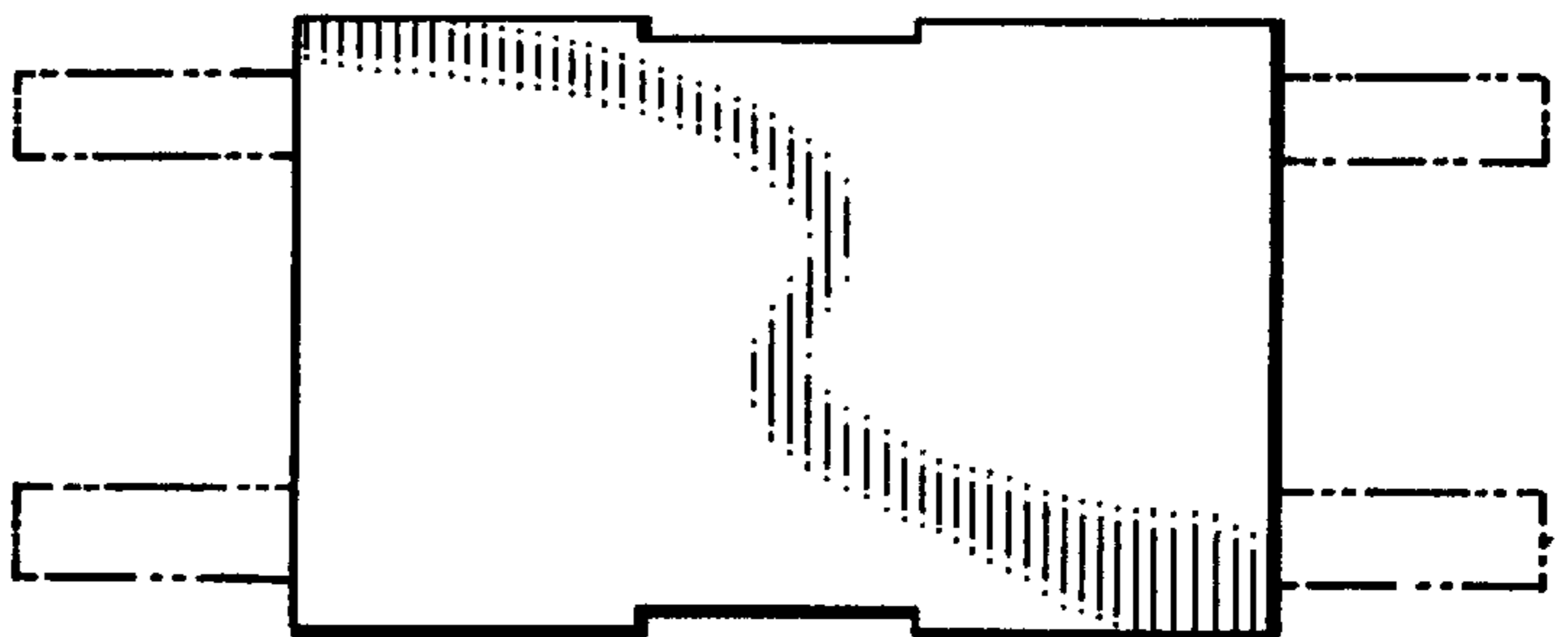


FIG. 10