



US00D468681S

(12) **United States Design Patent**
Rath

(10) **Patent No.:** **US D468,681 S**

(45) **Date of Patent:** **** Jan. 14, 2003**

(54) **UTILITY MOUNT FOR USE WITH TRAILER HITCH RECEIVER**

6,189,458 B1 * 2/2001 Rivera 224/488 X
D439,559 S * 3/2001 Caro D12/400
D445,395 S * 7/2001 Okerlund et al. D12/400

(76) Inventor: **Richard M. Rath**, 375 N. Tunis St.,
Lakeport, CA (US) 95453

* cited by examiner

(**) Term: **14 Years**

Primary Examiner—Stacia Cadmus

(74) *Attorney, Agent, or Firm*—R. Michael West; Boutin,
Dentino, Gibson, DiGiusto, Hodell & West

(21) Appl. No.: **29/160,341**

(22) Filed: **May 8, 2002**

(57) **CLAIM**

(51) **LOC (7) Cl.** **12-16**

The ornamental design for an utility mount for use with trailer hitch receiver, as shown and described.

(52) **U.S. Cl.** **D12/400; D12/162**

(58) **Field of Search** D12/162, 400,
D12/406, 415, 425; 108/44, 150; 280/415.1,
769, 504; 224/448, 42.07–42.08, 273, 275,
507–510, 521–529, 532; 248/286–287

DESCRIPTION

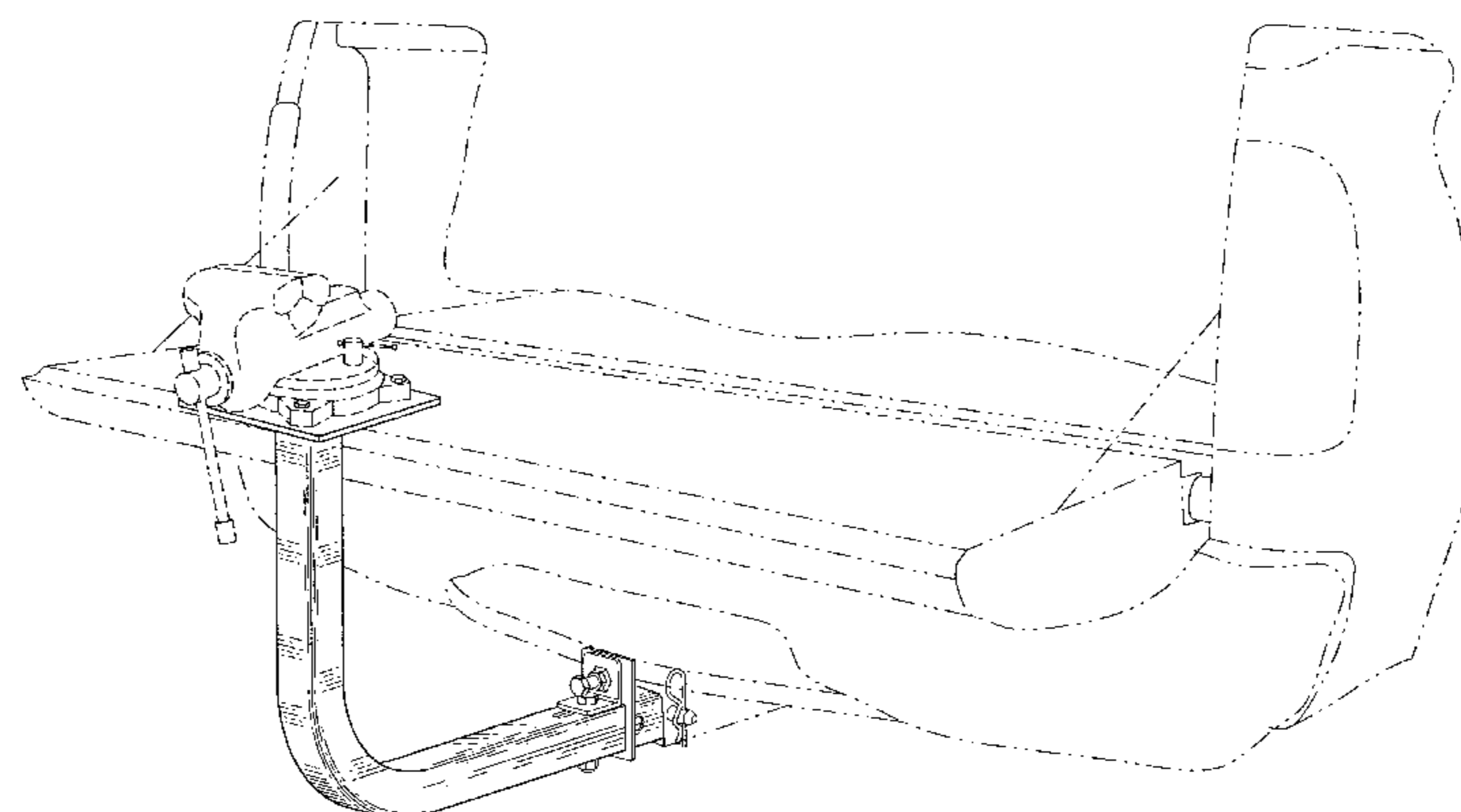
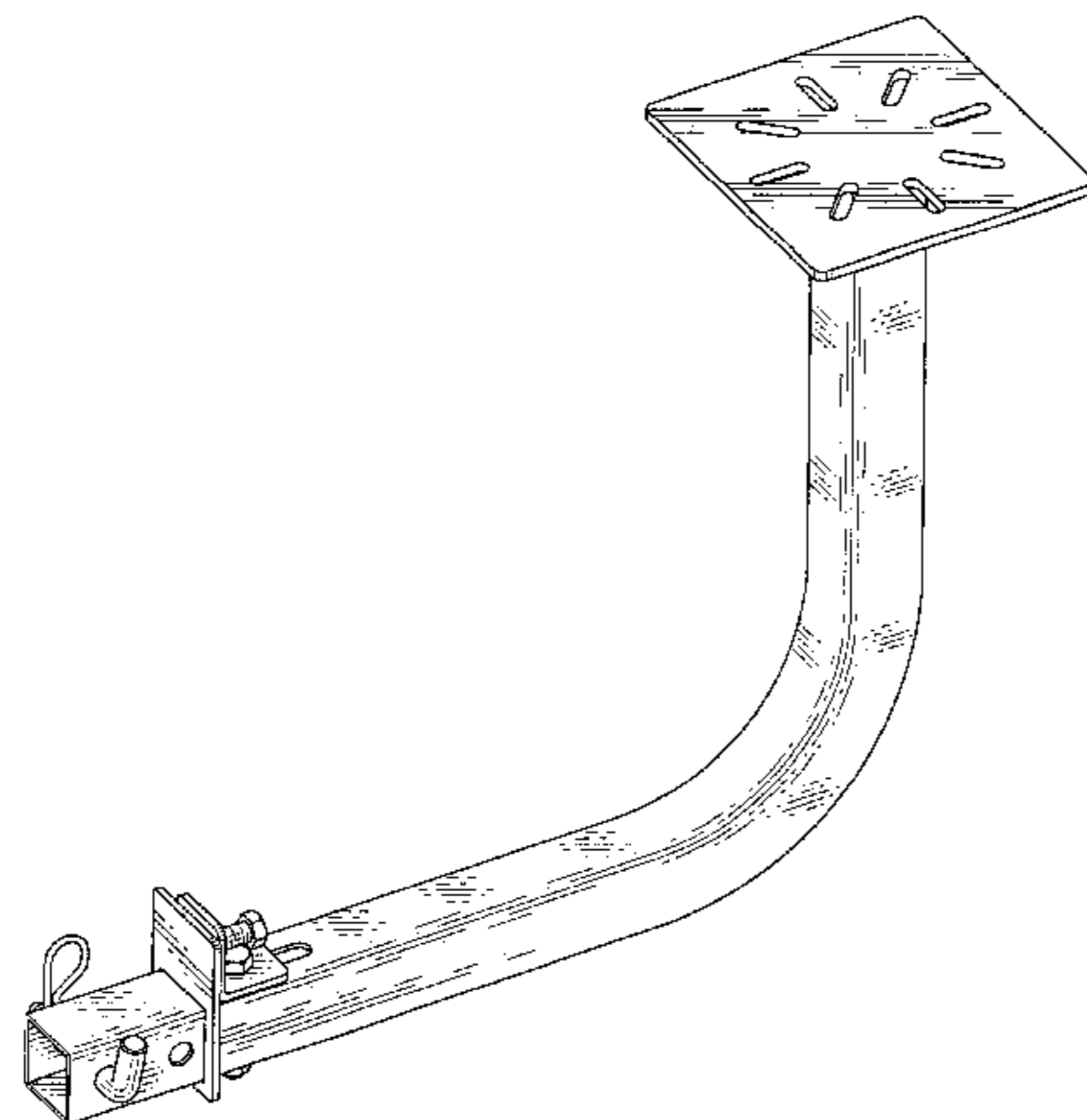
(56) **References Cited**

U.S. PATENT DOCUMENTS

- 4,381,069 A * 4/1983 Kreck 224/42.44
- D305,632 S * 1/1990 Kraklio D12/400 X
- D309,065 S * 7/1990 Huff D12/400 X
- 5,267,748 A * 12/1993 Curran 280/415.1
- 5,397,147 A * 3/1995 Ducharme et al. 280/415.1
- 5,489,110 A * 2/1996 Van Dusen 280/415.1
- 5,950,617 A * 9/1999 Lorenz 108/44 X
- 6,179,184 B1 * 1/2001 Belinky et al. 224/510

FIG. 1 is a left-front perspective of a utility mount for use with trailer hitch receiver, showing my new design;
 FIG. 2 is a front elevational view, thereof;
 FIG. 3 is an elevational view of one side, thereof;
 FIG. 4 is a rear elevational view, thereof;
 FIG. 5 is an elevational view of the other side, thereof;
 FIG. 6 is a bottom plan view, thereof;
 FIG. 7 is a top plan view, thereof; and,
 FIG. 8 is a perspective view taken to a reduced scale, the broken-line representation of the rear portion of a pick-up truck and a vise being included solely for illustrative purposes, forming no part of the claimed design.

1 Claim, 3 Drawing Sheets



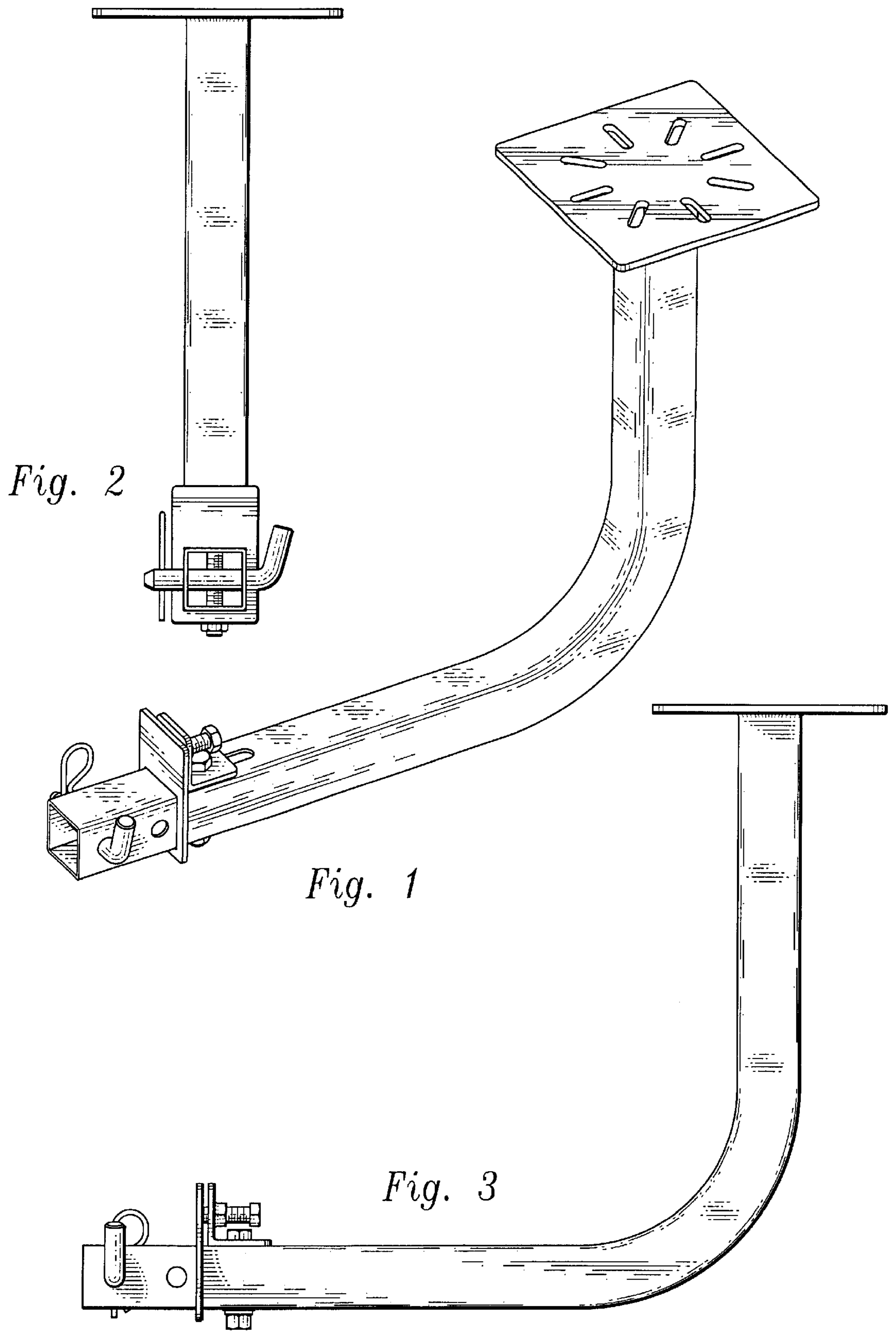


Fig. 2

Fig. 1

Fig. 3

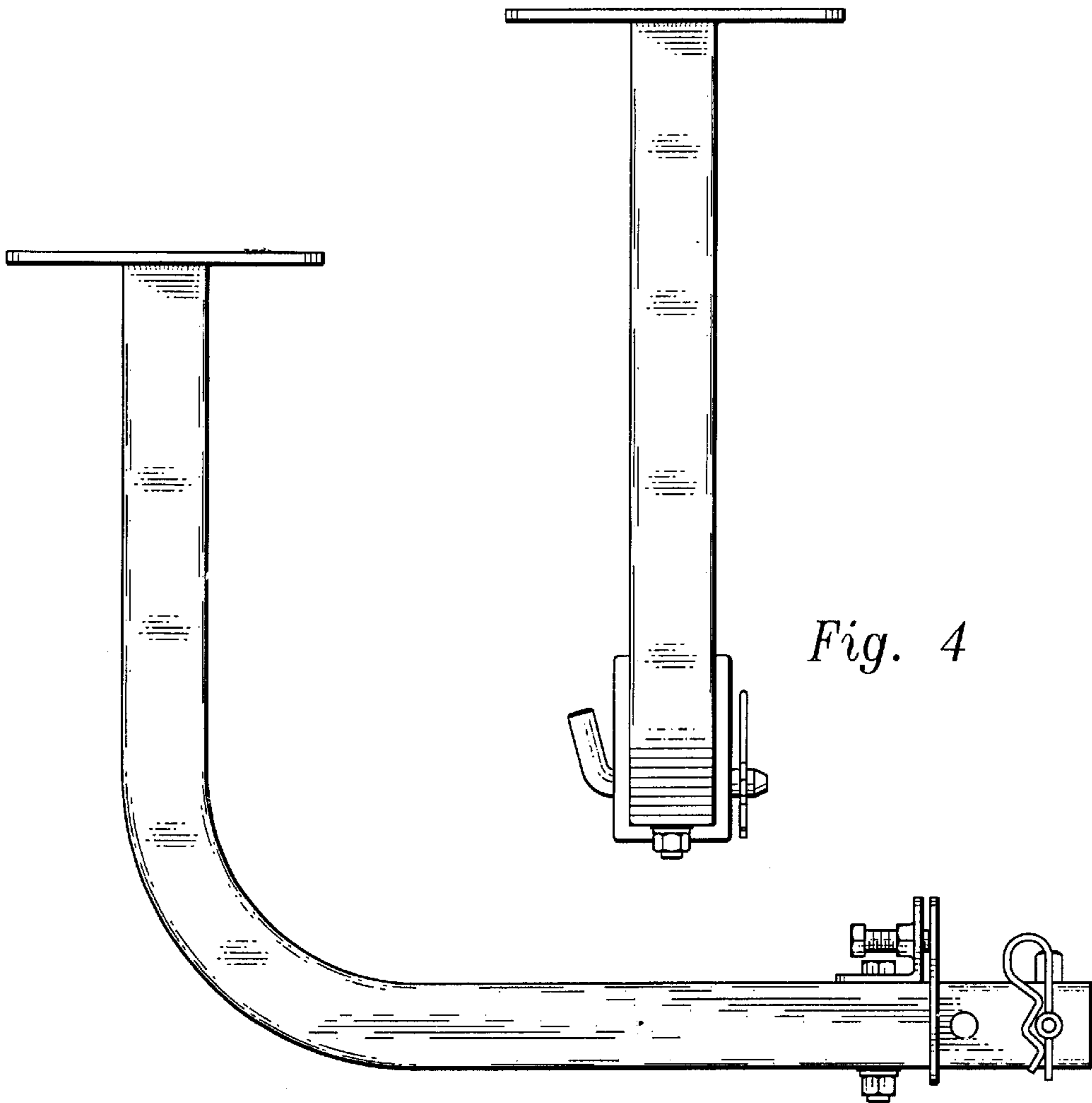


Fig. 4

Fig. 5

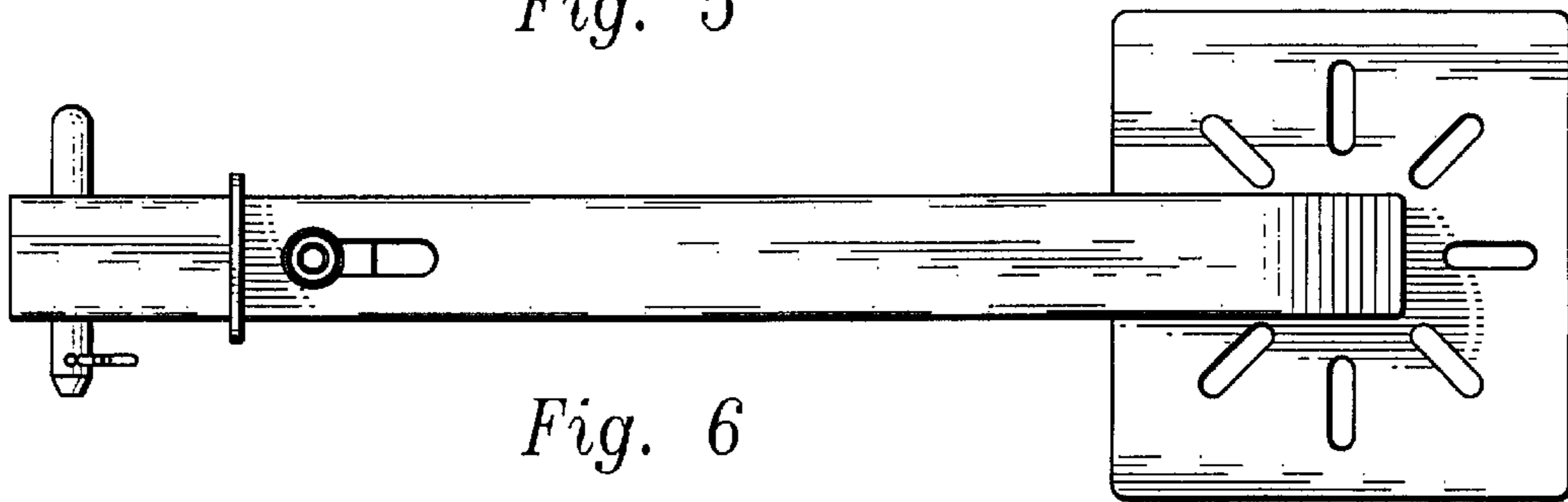


Fig. 6

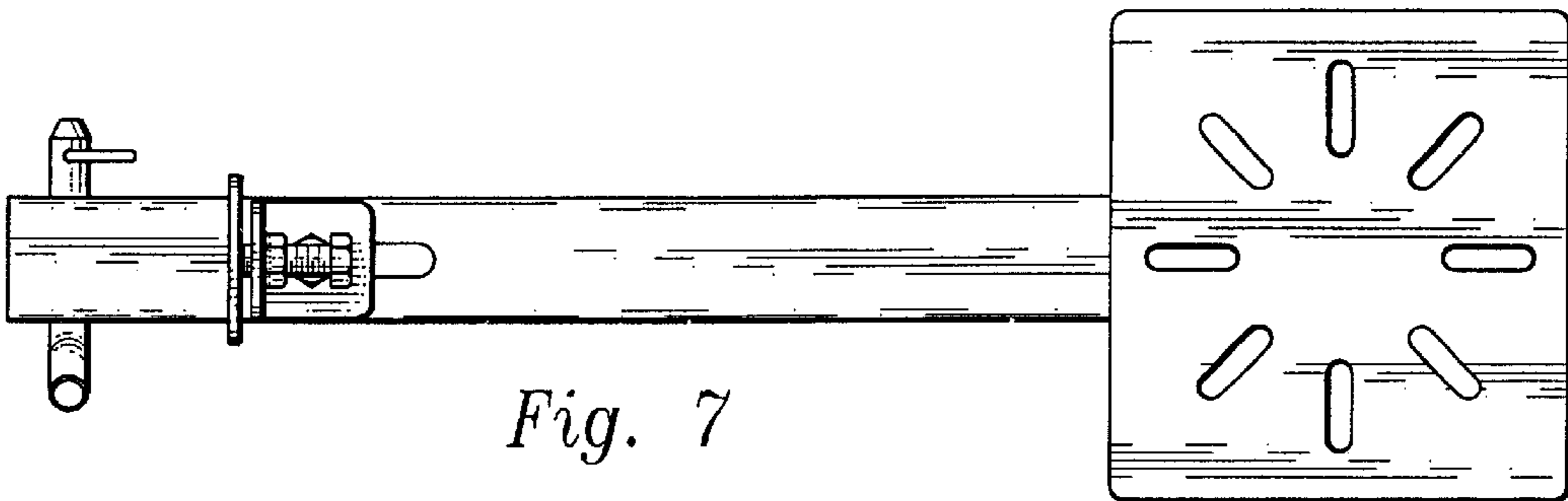


Fig. 7

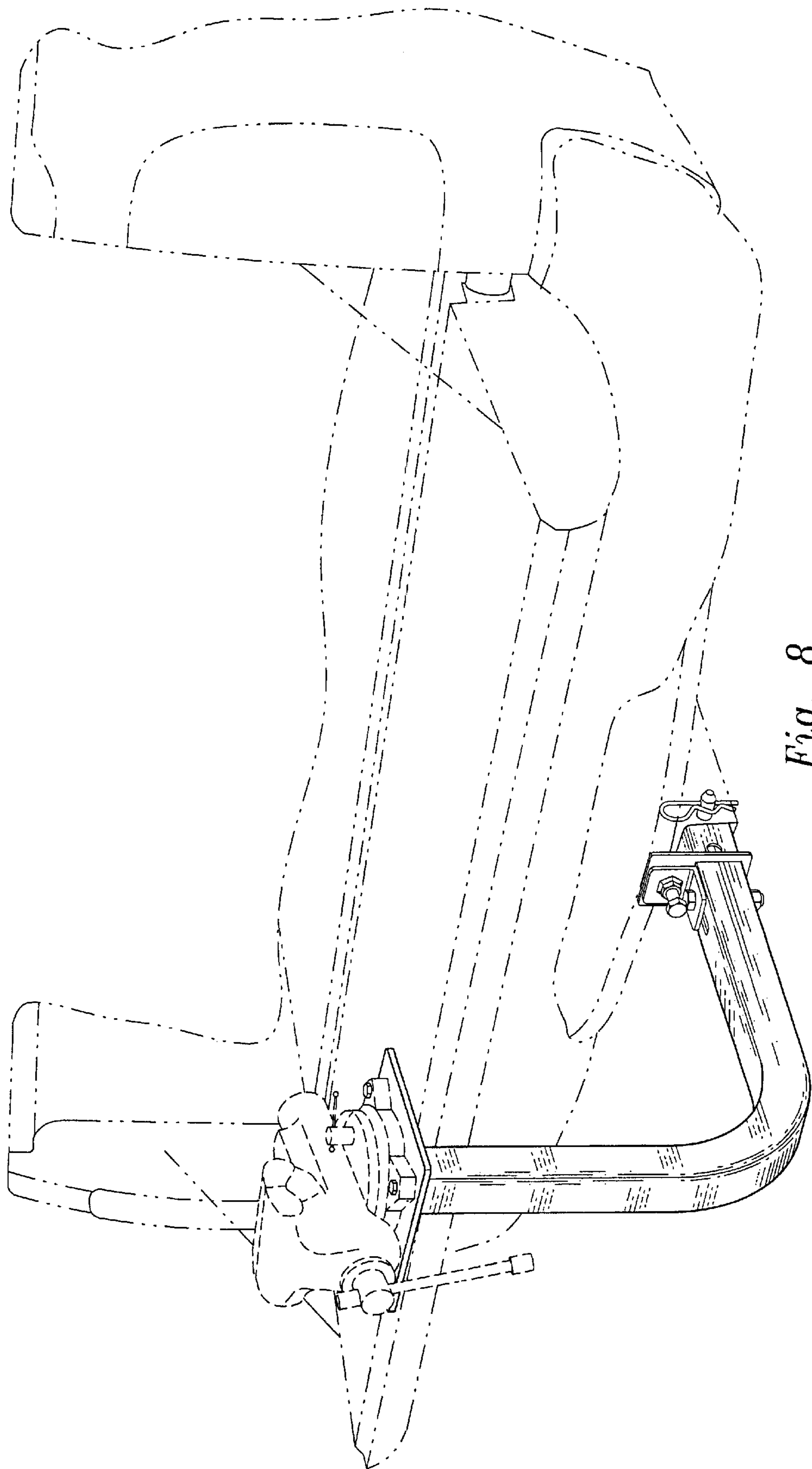


Fig. 8