



US00D468674S

(12) **United States Design Patent**
Laster et al.

(10) **Patent No.:** **US D468,674 S**

(45) **Date of Patent:** **** Jan. 14, 2003**

(54) **VEHICLE HITCH COVER ASSEMBLY**

FOREIGN PATENT DOCUMENTS

(75) Inventors: **Robert Todd Laster**, Wixom, MI (US);
Irfan Sharif, Canton, MI (US); **Scott**
Alan Smith, Brownstown Township,
MI (US)

DE 2 137 517 2/1973
GB 2 307 665 11/1995

Primary Examiner—Melody N. Brown
(74) *Attorney, Agent, or Firm*—Gigette M. Bejin

(73) Assignee: **Ford Global Technologies, Inc.**,
Dearborn, MI (US)

(57) **CLAIM**

(**) Term: **14 Years**

The ornamental design for a vehicle hitch cover assembly, as shown and described.

(21) Appl. No.: **29/146,804**

DESCRIPTION

(22) Filed: **Aug. 16, 2001**

(51) **LOC (7) Cl.** **12-16**

(52) **U.S. Cl.** **D12/196**

(58) **Field of Search** D12/196, 190,
D12/169, 90-92, 98; 293/102, 120, 132,
133; 280/415.1, 491.1-491.3, 507, 511,
512; 296/180.1, 180.2

FIG. 1 is a perspective view of the first embodiment of the vehicle hitch cover assembly design of the present invention;

FIG. 2 is a top view of the vehicle hitch cover assembly of FIG. 1;

FIG. 3 is a front view of the vehicle hitch cover assembly of FIG. 1;

FIG. 4 is a right side view of the vehicle hitch cover assembly of FIG. 1;

FIG. 5 is a rear view of the vehicle hitch cover assembly of FIG. 1;

FIG. 6 is a bottom view of the vehicle hitch cover assembly of FIG. 1;

FIG. 7 is a perspective view of the second embodiment of the vehicle hitch cover assembly design of the present invention;

FIG. 8 is a top view of the vehicle hitch cover assembly of FIG. 7;

FIG. 9 is a front view of the vehicle hitch cover assembly of FIG. 7;

FIG. 10 is a right side view of the vehicle hitch cover assembly of FIG. 7;

FIG. 11 is a rear view of the vehicle hitch cover assembly of FIG. 7; and,

FIG. 12 is a bottom view of the vehicle hitch cover assembly of FIG. 7.

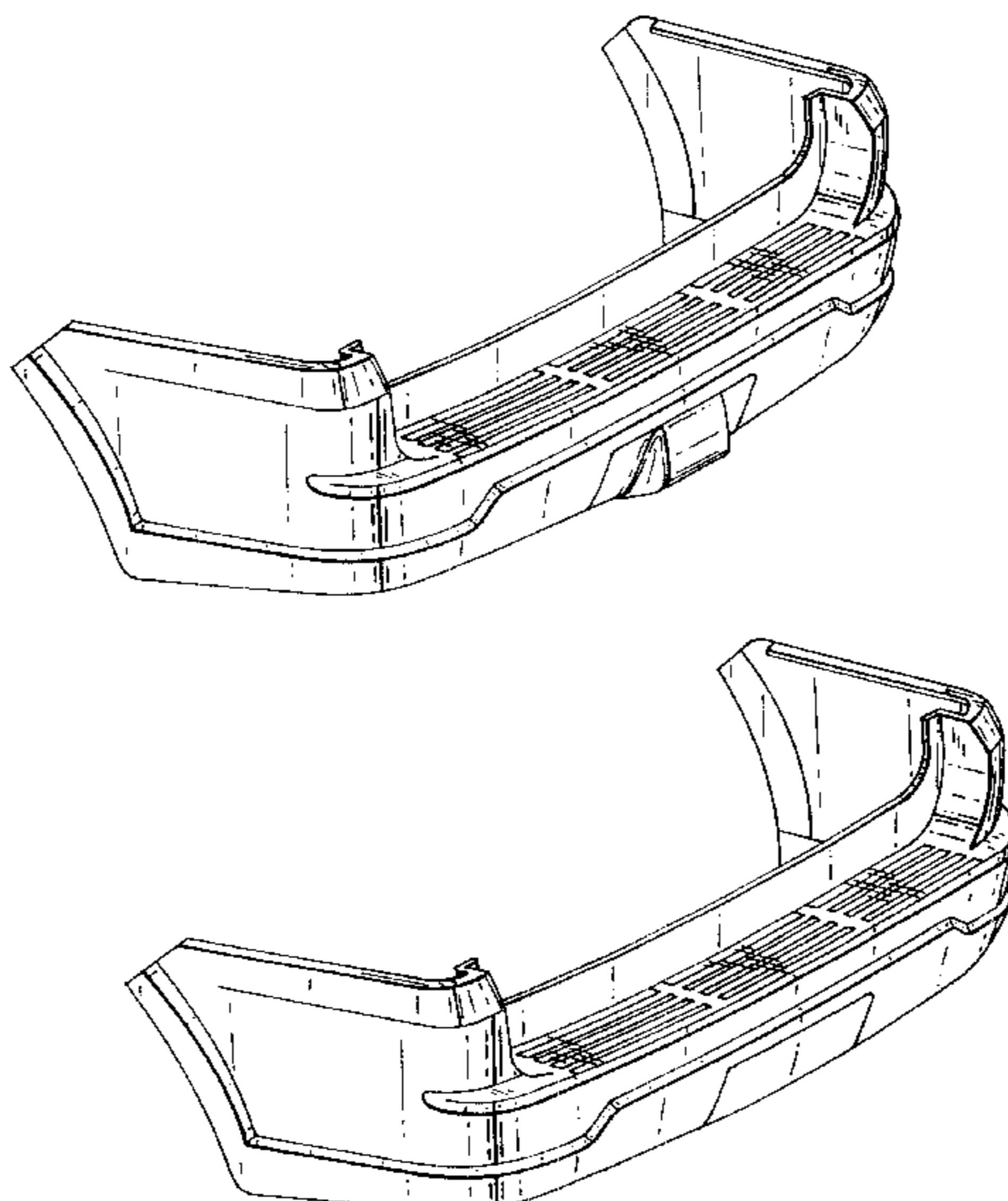
(56) **References Cited**

U.S. PATENT DOCUMENTS

1,581,432 A	4/1926	Fageol
1,935,447 A	11/1933	Hoffman
2,604,349 A	7/1952	Martinez
2,753,193 A	7/1956	Halverson
2,828,144 A	3/1958	Hosmer
3,412,628 A	11/1968	De Gain
3,495,474 A	2/1970	Nishimura et al.
3,578,358 A	5/1971	Reynolds
3,739,882 A	6/1973	Schwenk et al.
3,819,224 A	6/1974	Casey et al.
3,831,997 A	8/1974	Myers
3,885,817 A	5/1975	Christian
3,888,515 A	6/1975	Winter
3,897,095 A	7/1975	Glance et al.
3,905,630 A	9/1975	Cantrell
3,912,295 A	10/1975	Eggert, Jr.

(List continued on next page.)

1 Claim, 4 Drawing Sheets



US D468,674 S

Page 2

U.S. PATENT DOCUMENTS

3,930,670 A	1/1976	Haskins	5,419,416 A	5/1995	Miyashita et al.
3,938,841 A	2/1976	Glance et al.	5,431,445 A	7/1995	Wheatley
3,964,768 A	6/1976	Reynolds	5,560,631 A	10/1996	Salvo
3,997,207 A	12/1976	Norlin	5,628,536 A	5/1997	Fulkerson
3,998,485 A	12/1976	Putter et al.	5,688,006 A	11/1997	Bladow et al.
4,023,652 A	5/1977	Torke	5,722,708 A	3/1998	Jonsson
4,190,276 A	2/1980	Hirano et al.	5,727,804 A	3/1998	Metzger
4,272,114 A	6/1981	Hirano et al.	5,732,801 A	3/1998	Gertz
4,465,312 A	8/1984	Werner	5,785,367 A	7/1998	Baumann et al.
4,468,052 A	8/1984	Koike	5,803,514 A	9/1998	Shibuya et al.
4,829,979 A	5/1989	Moir	5,853,187 A	12/1998	Maier
4,830,686 A	5/1989	Hashiguchi et al.	5,876,078 A	3/1999	Miskech et al.
4,893,856 A	1/1990	Council	5,934,699 A	8/1999	Blake
4,901,486 A	2/1990	Kobori et al.	D420,634 S *	2/2000	Nelson D12/169
5,080,411 A	1/1992	Stewart et al.	6,145,865 A	11/2000	Cannara et al.
5,116,092 A	5/1992	Schönleber	6,149,181 A	11/2000	Beiderman
5,154,462 A	10/1992	Carpenter	6,176,506 B1	1/2001	Blake
5,201,912 A	4/1993	Terada et al.	6,189,910 B1	2/2001	Bartel
5,273,330 A	12/1993	Petry et al.	D446,485 S *	8/2001	Shen D12/169
5,314,229 A	5/1994	Matuzawa et al.	D455,382 S *	4/2002	Gulfitzendoerfer et al. D12/196
5,387,002 A	2/1995	Grevich			

* cited by examiner

FIG. 1.

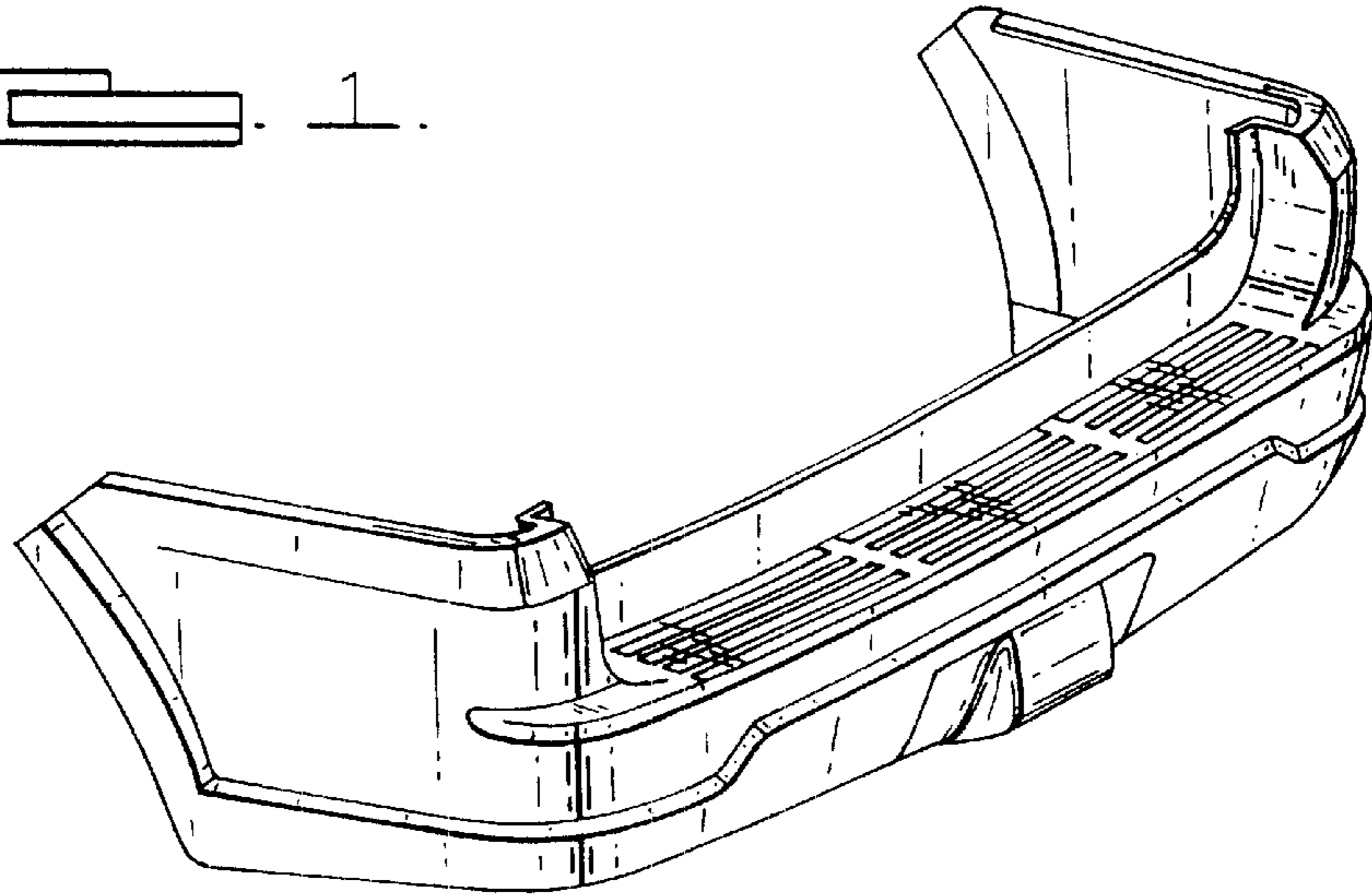


FIG. 2.

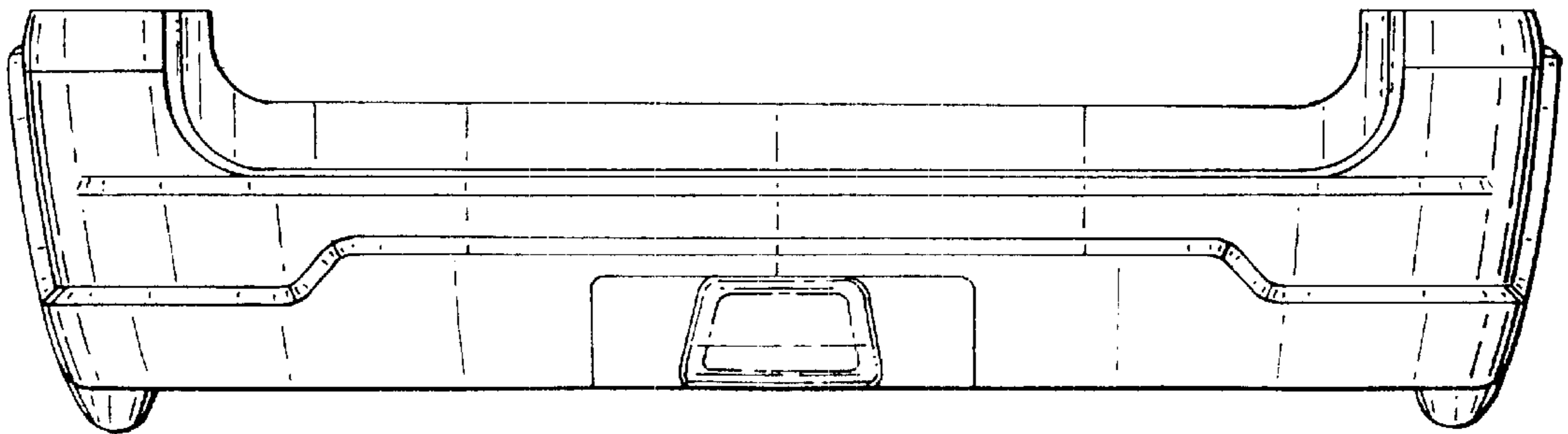
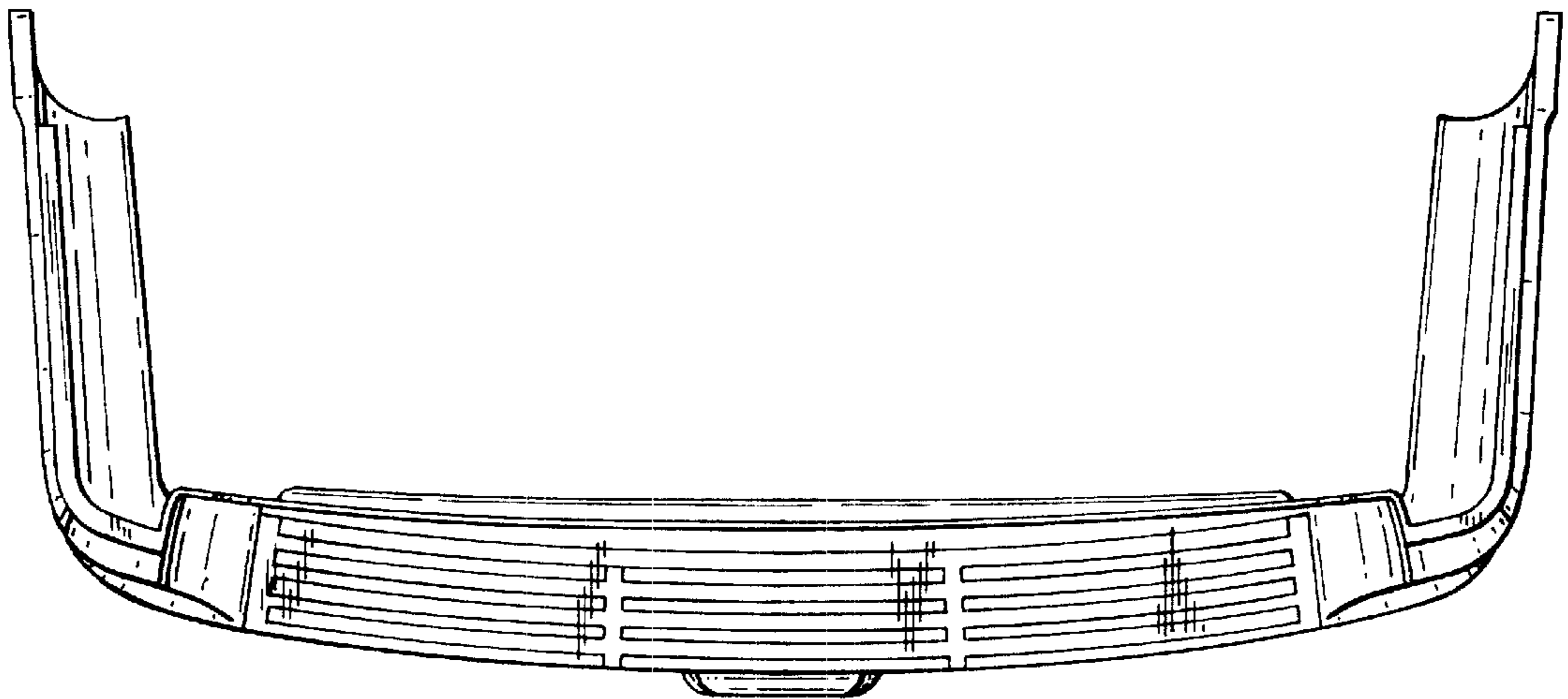


FIG. 3.

FIG. 4.

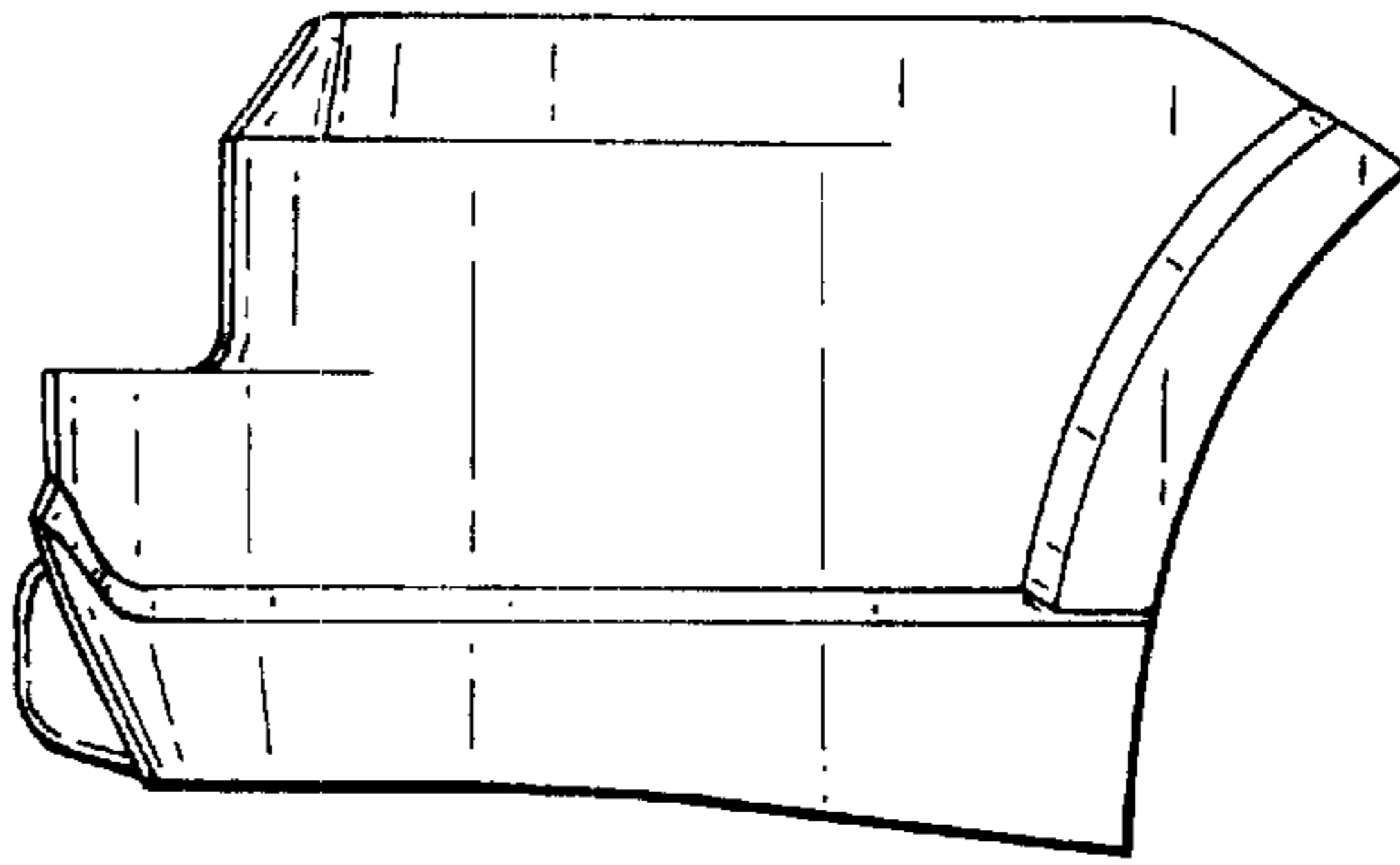


FIG. 5.

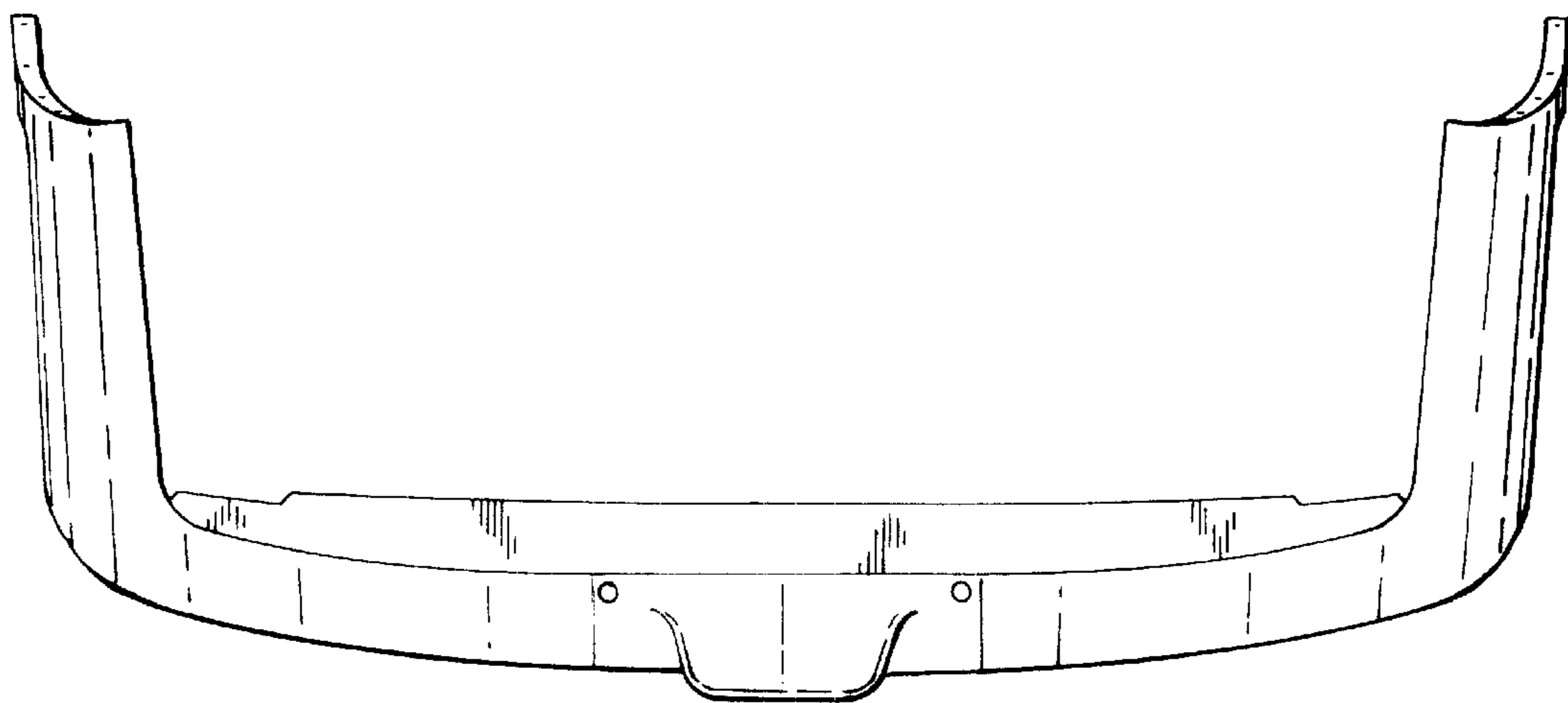
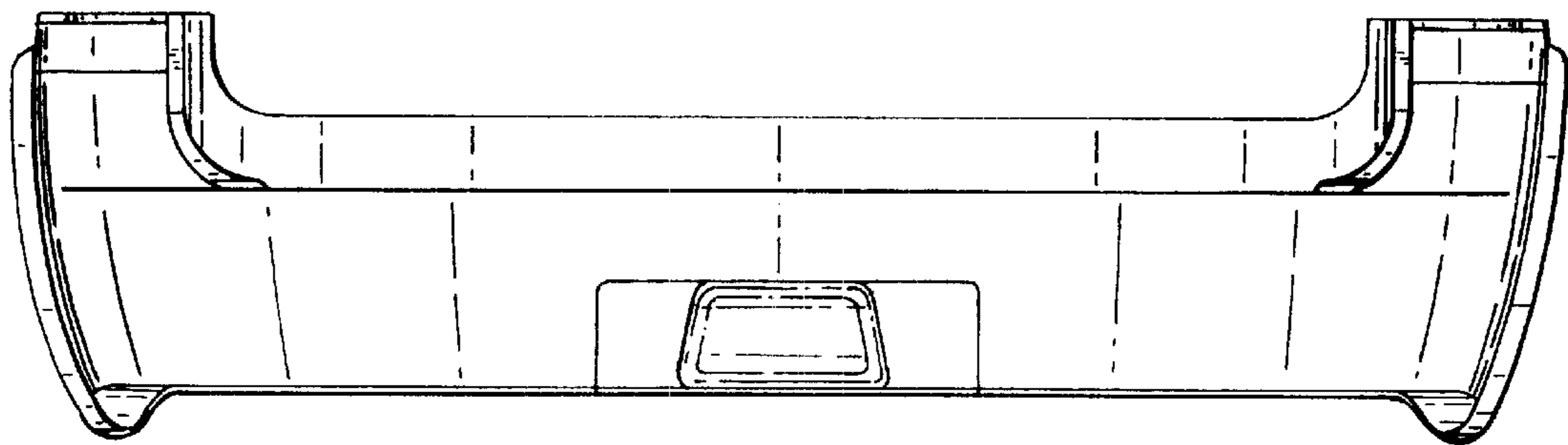


FIG. 6.

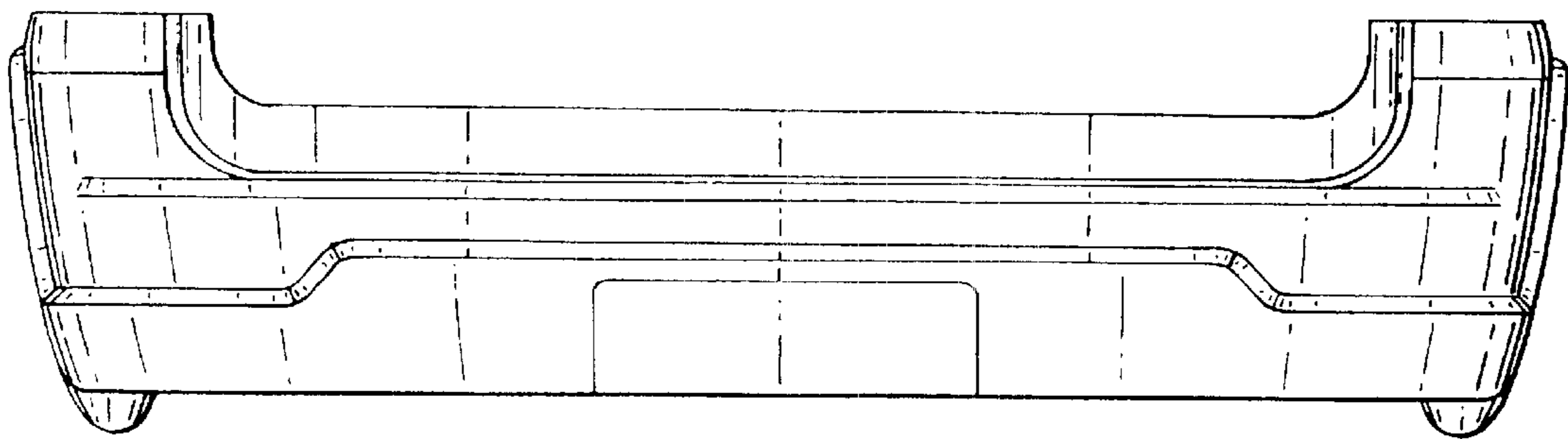
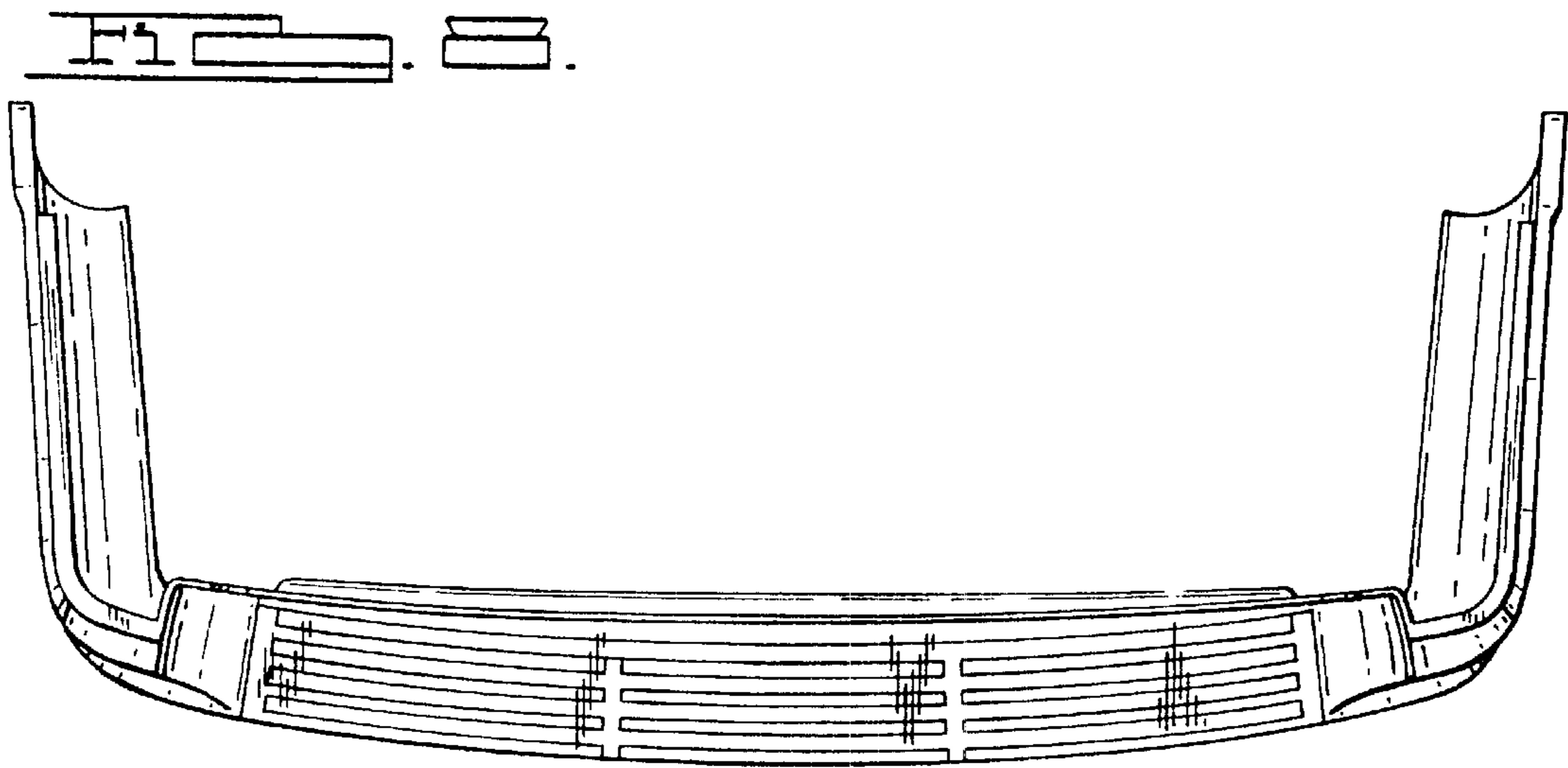
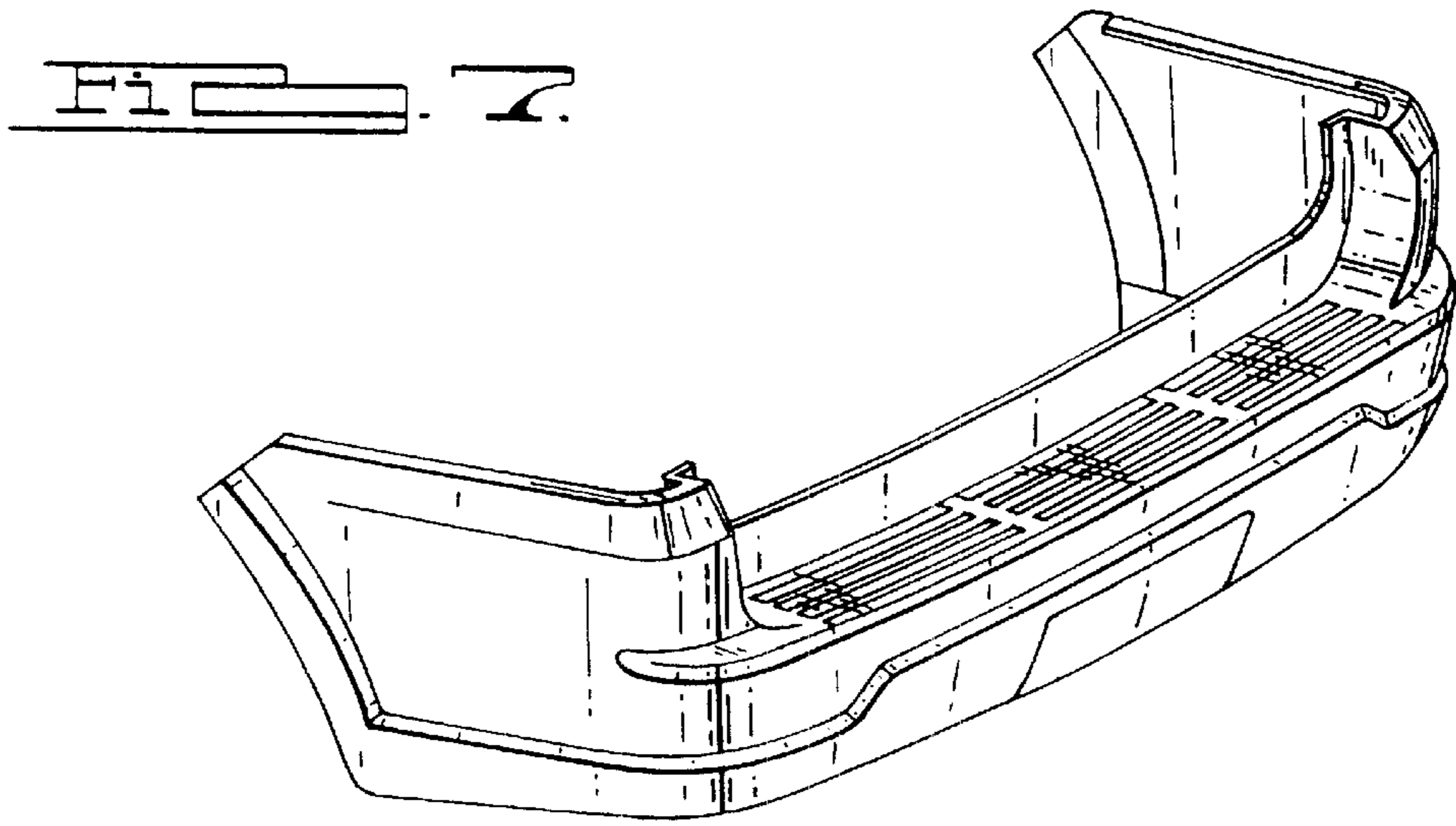


FIG. 9.

FIG. 10.

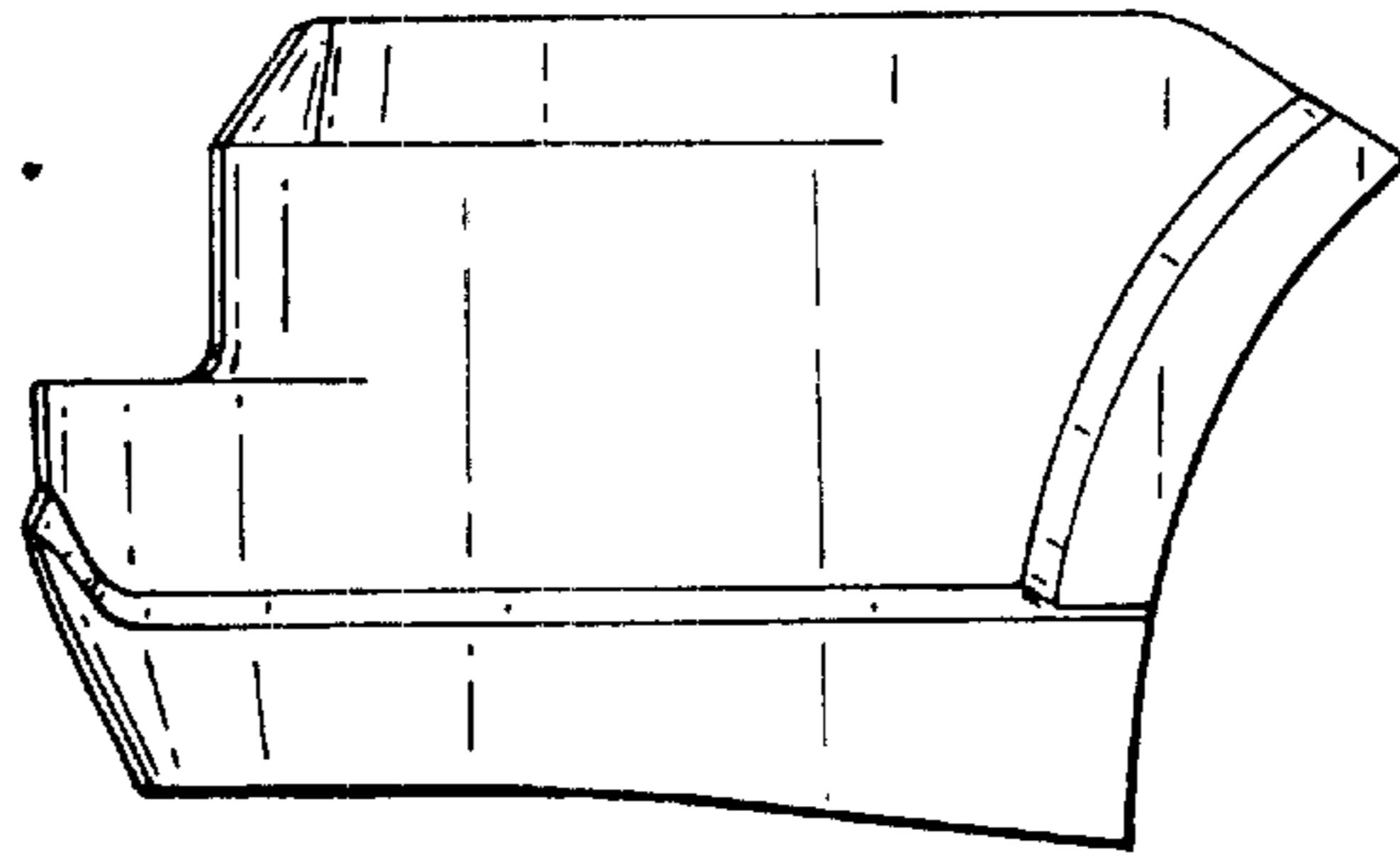


FIG. 11.

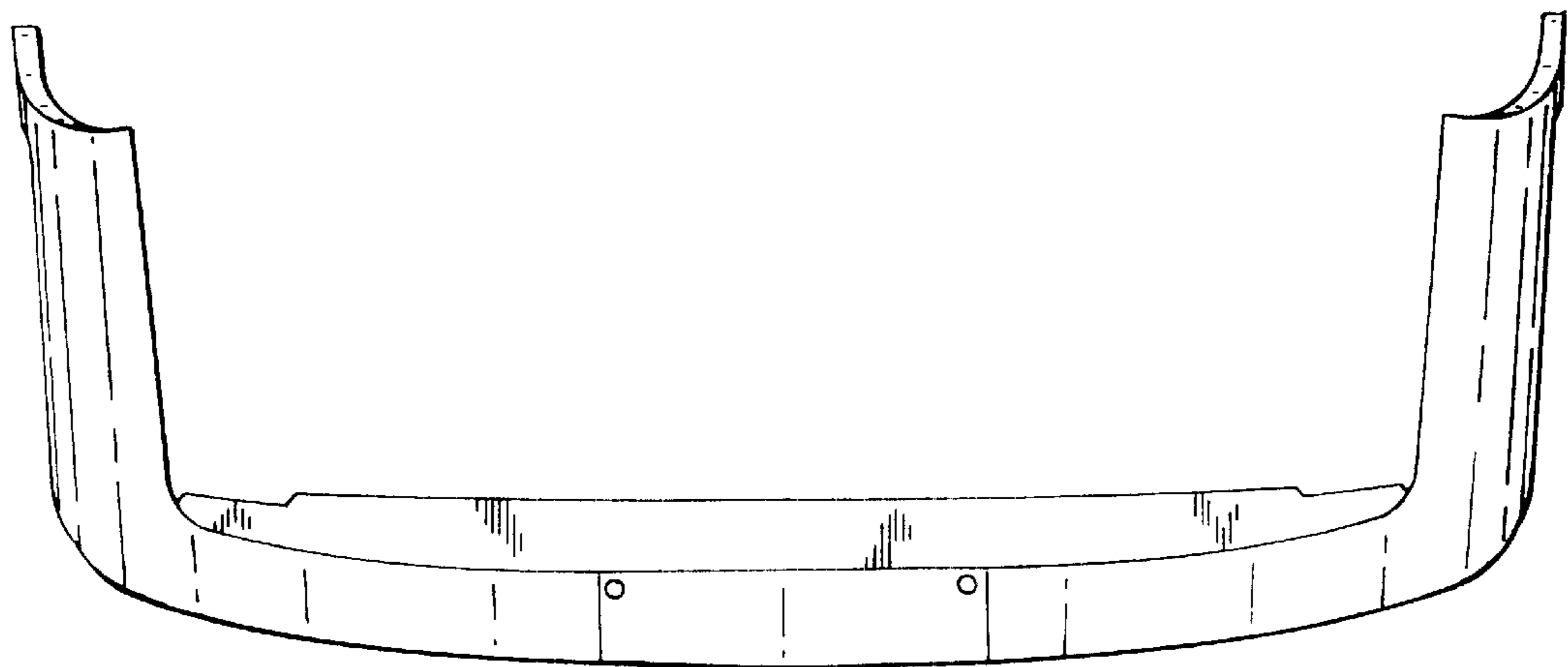
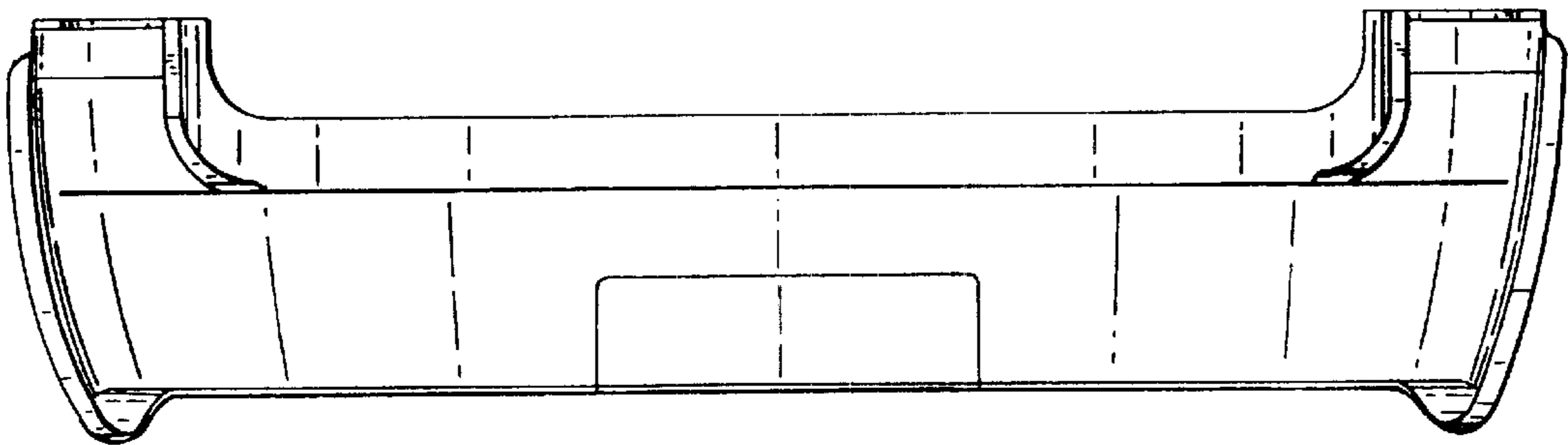


FIG. 12.