



US00D468671S

(12) **United States Design Patent**
Tampi

(10) **Patent No.:** **US D468,671 S**

(45) **Date of Patent:** **** Jan. 14, 2003**

(54) **PAIR OF AUTOMOBILE SIDE SKIRTS**

D453,314 S * 2/2002 Longfellow D12/190

(76) Inventor: **Ivan Tampi**, 5174 Valley Blvd., Los Angeles, CA (US) 90032

* cited by examiner

(**) Term: **14 Years**

Primary Examiner—Stacia Cadmus

(74) *Attorney, Agent, or Firm*—Sheldon & Mak; Denton L. Anderson

(21) Appl. No.: **29/134,949**

(57) **CLAIM**

(22) Filed: **Jan. 3, 2001**

The ornamental design for a pair of automobile side skirts, as shown and described.

(51) **LOC (7) Cl.** **12-16**

(52) **U.S. Cl.** **D12/190**

(58) **Field of Search** D12/190, 196, D12/169, 181, 184, 203, 90-92; 296/192-197, 180.1, 209, 180.2; 280/163, 164.1, 169, 828, 848, 762, 768, 153.5; 293/102, 113-117, 120

DESCRIPTION

FIG. 1 is a perspective view of the exterior surface of the right side of a pair of automobile side skirts of the invention, the left side skirt being identical to the right side skirt, the interior surface of both side skirts having no ornamentality; FIG. 2 is a perspective view of the exterior surface of the left side of a pair of automobile side skirts the right side skirt being identical to the left side skirt, the interior surface having no ornamentality; and, FIG. 3 is a side view showing the exterior surface of the right side skirt illustrated in FIG. 1, the left side skirt being identical to the right side skirt, the interior surface having no ornamentality.

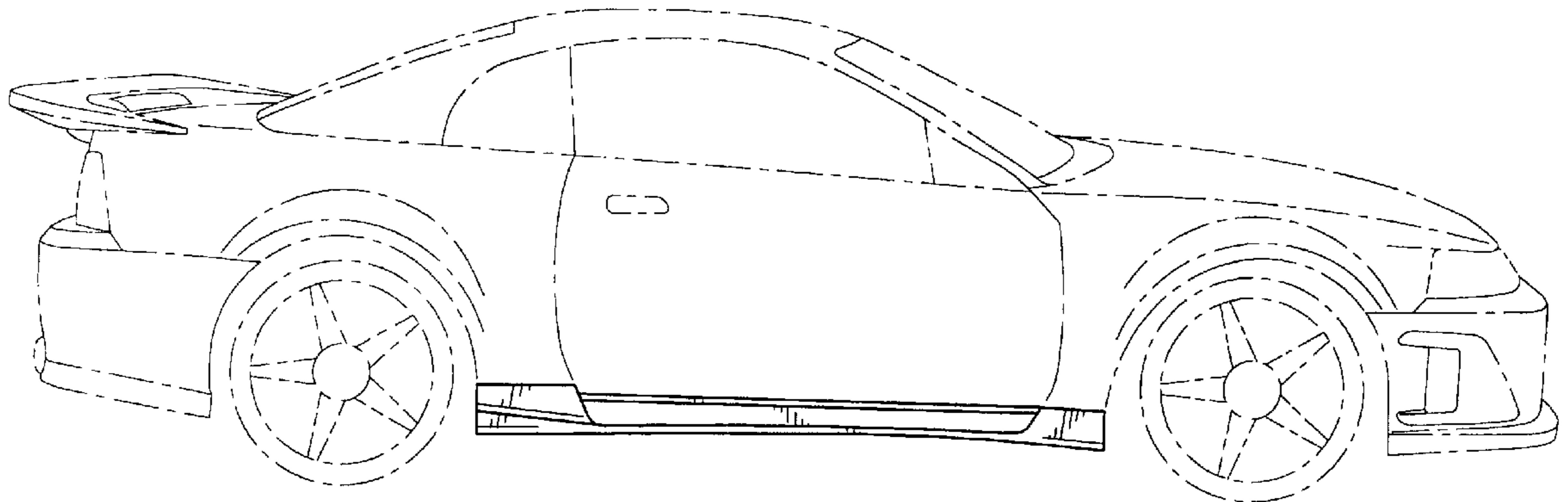
The broken line showing of environment is for illustrative purposes only and forms no part of the claimed design.

(56) **References Cited**

U.S. PATENT DOCUMENTS

- D289,891 S * 5/1987 Bielby D12/190
- D304,820 S * 11/1989 Rasmussen D12/190
- D323,480 S * 1/1992 Taylor D12/190 X
- D413,561 S * 9/1999 Kulla et al. D12/190
- D418,468 S * 1/2000 Saleen et al. D12/190
- D438,497 S * 3/2001 Yokomaku D12/190
- D446,758 S * 8/2001 Tampi D12/190
- D447,990 S * 9/2001 Yokomaku D12/190

1 Claim, 2 Drawing Sheets



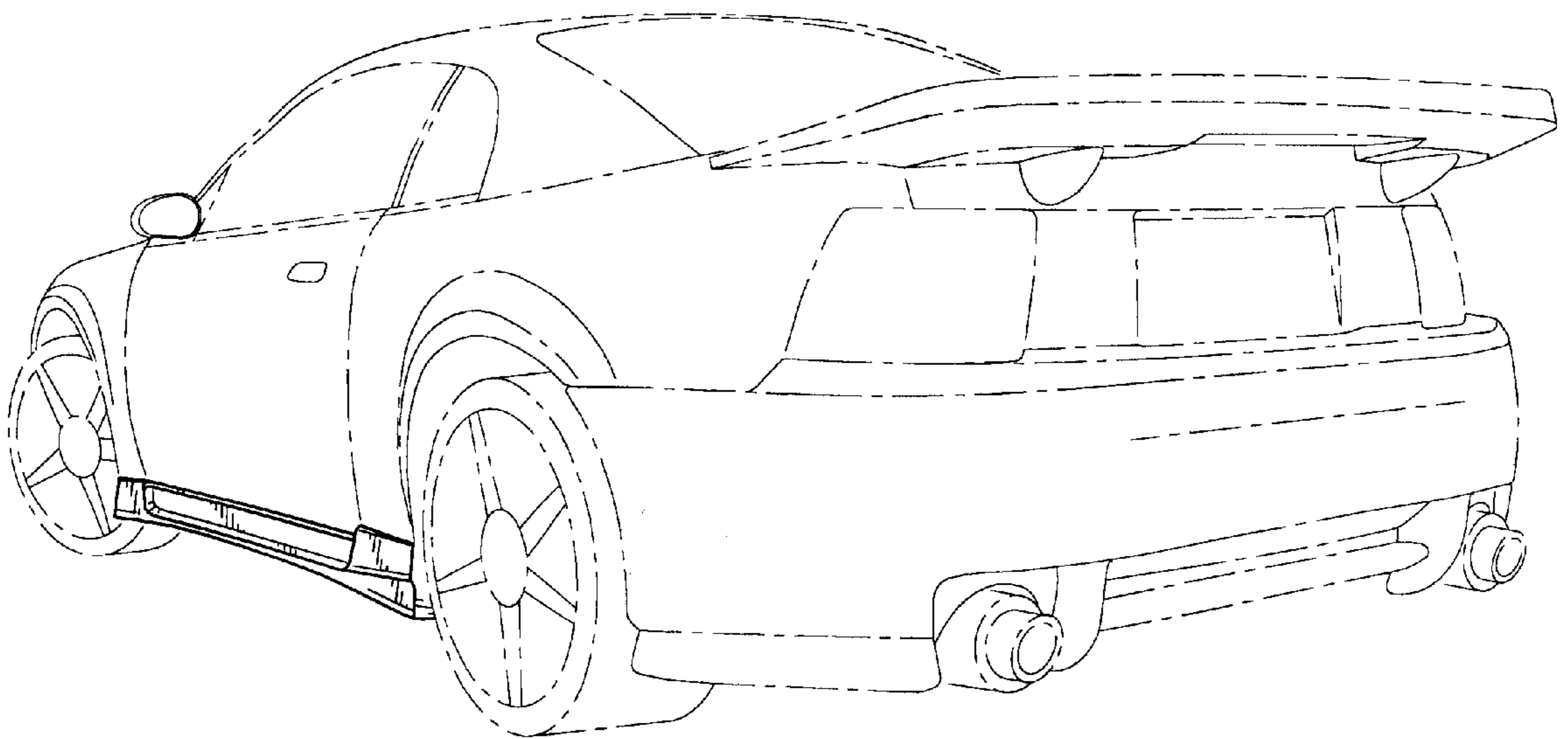
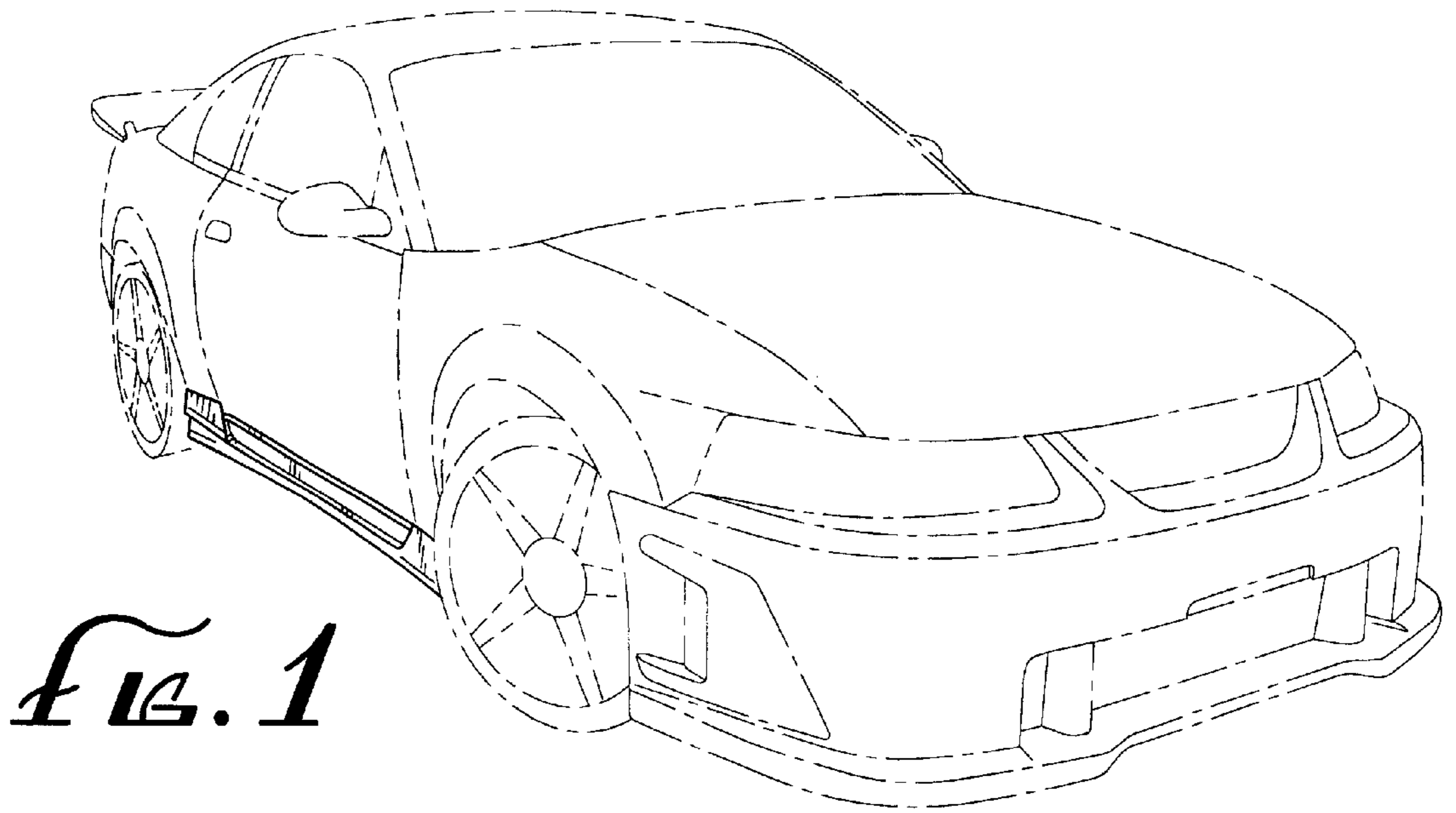


FIG. 2

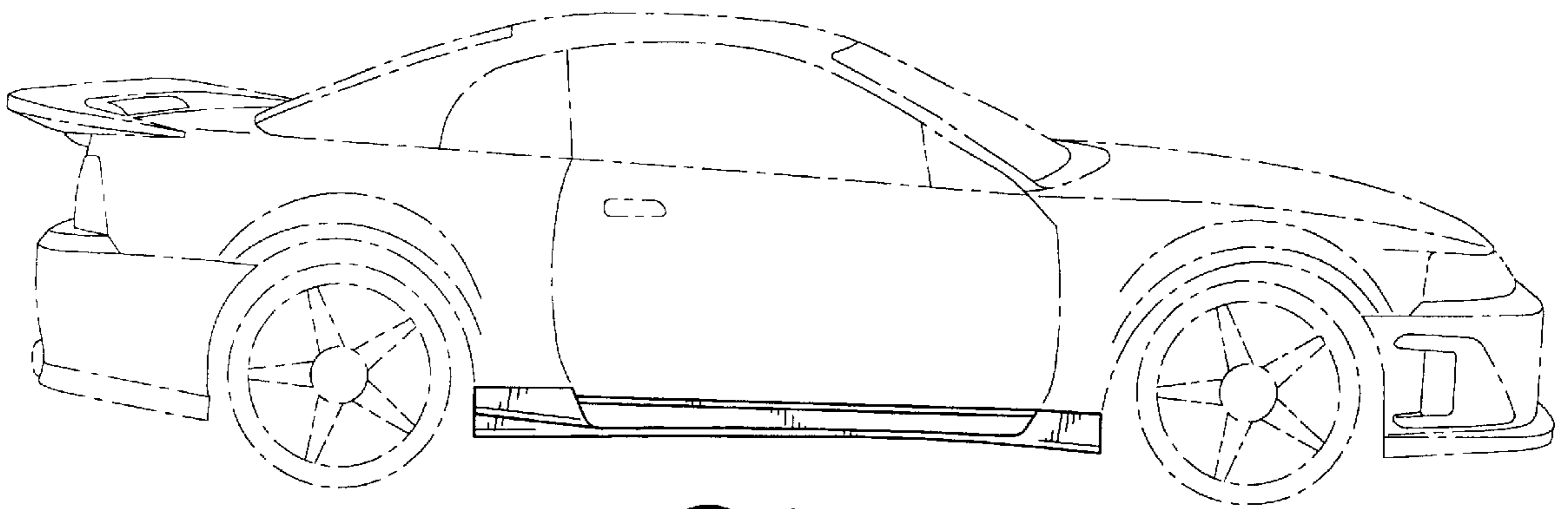


FIG. 3