



US00D468669S

(12) **United States Design Patent**  
**Hopely, Jr.**

(10) **Patent No.:** **US D468,669 S**

(45) **Date of Patent:** **\*\* \*Jan. 14, 2003**

(54) **PERSONAL MOBILITY VEHICLE BASE**

D404,693 S \* 1/1999 Schaffner ..... D12/131

(75) Inventor: **Robert C. Hopely, Jr.**, Sewell, NJ (US)

\* cited by examiner

(73) Assignee: **Electric Mobility Corporation**, Sewell, NJ (US)

*Primary Examiner*—Kay H. Chin

(74) *Attorney, Agent, or Firm*—Frijouf, Rust & Pyle, P.A.

(\* ) Notice: This patent is subject to a terminal disclaimer.

(57) **CLAIM**

(\*\*) Term: **14 Years**

The ornamental design for a personal mobility vehicle base, as shown and described.

(21) Appl. No.: **29/092,558**

**DESCRIPTION**

(22) Filed: **Aug. 21, 1998**

(51) **LOC (7) Cl.** ..... **12-12**

FIG. 1 is a top view of a personal mobility vehicle base showing my new design;

(52) **U.S. Cl.** ..... **D12/131; D12/133**

FIG. 2 is a top view thereof with the foot board removed;

(58) **Field of Search** ..... **D12/128-133;**  
**280/304.1; 180/907, 65.6, 65.5**

FIG. 3 is a left side view of FIG. 2; and,

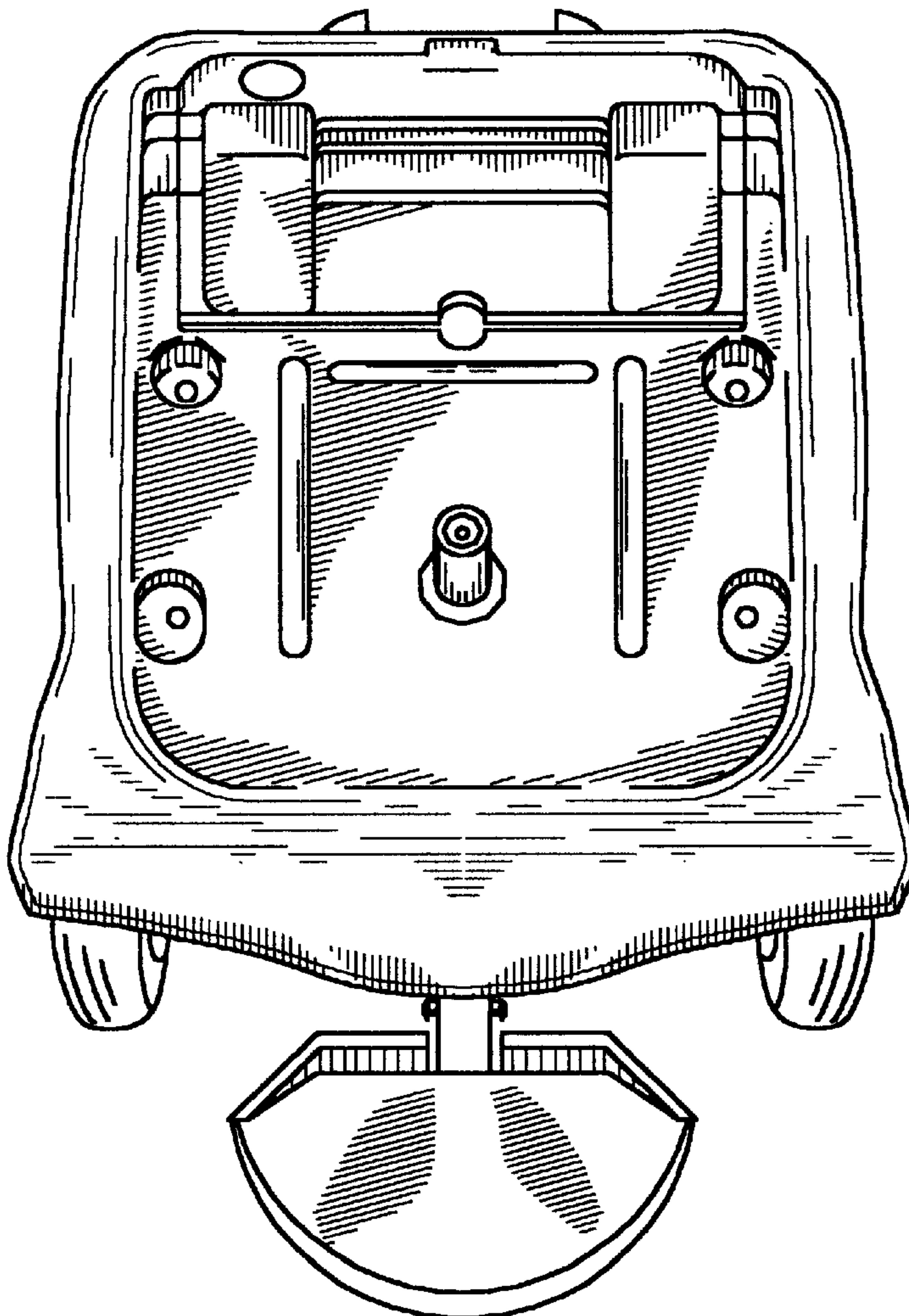
FIG. 4 is a right side view of FIG. 2.

(56) **References Cited**

**U.S. PATENT DOCUMENTS**

D397,645 S \* 9/1998 Schaffner ..... D12/131

**1 Claim, 3 Drawing Sheets**



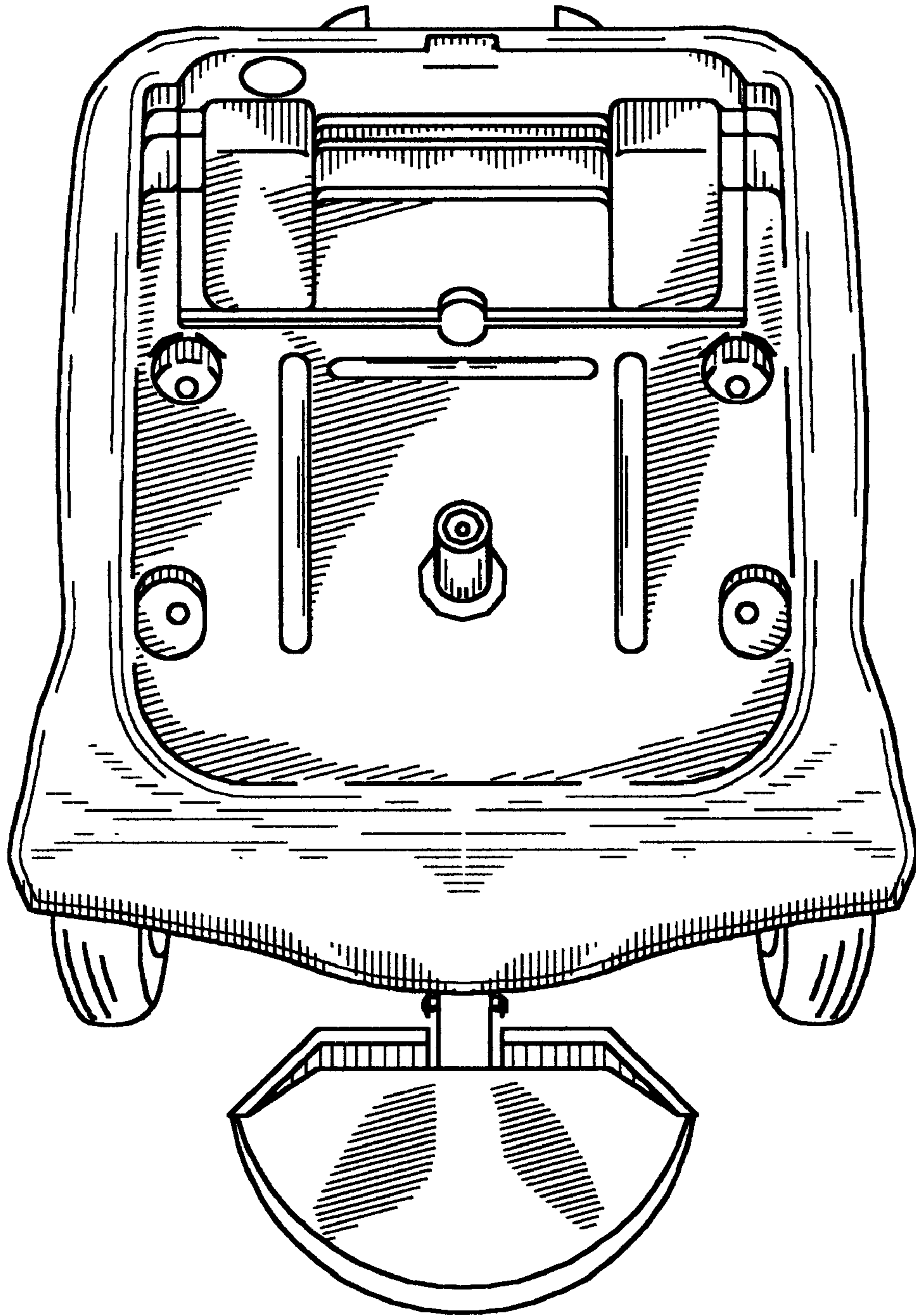


FIG. 1

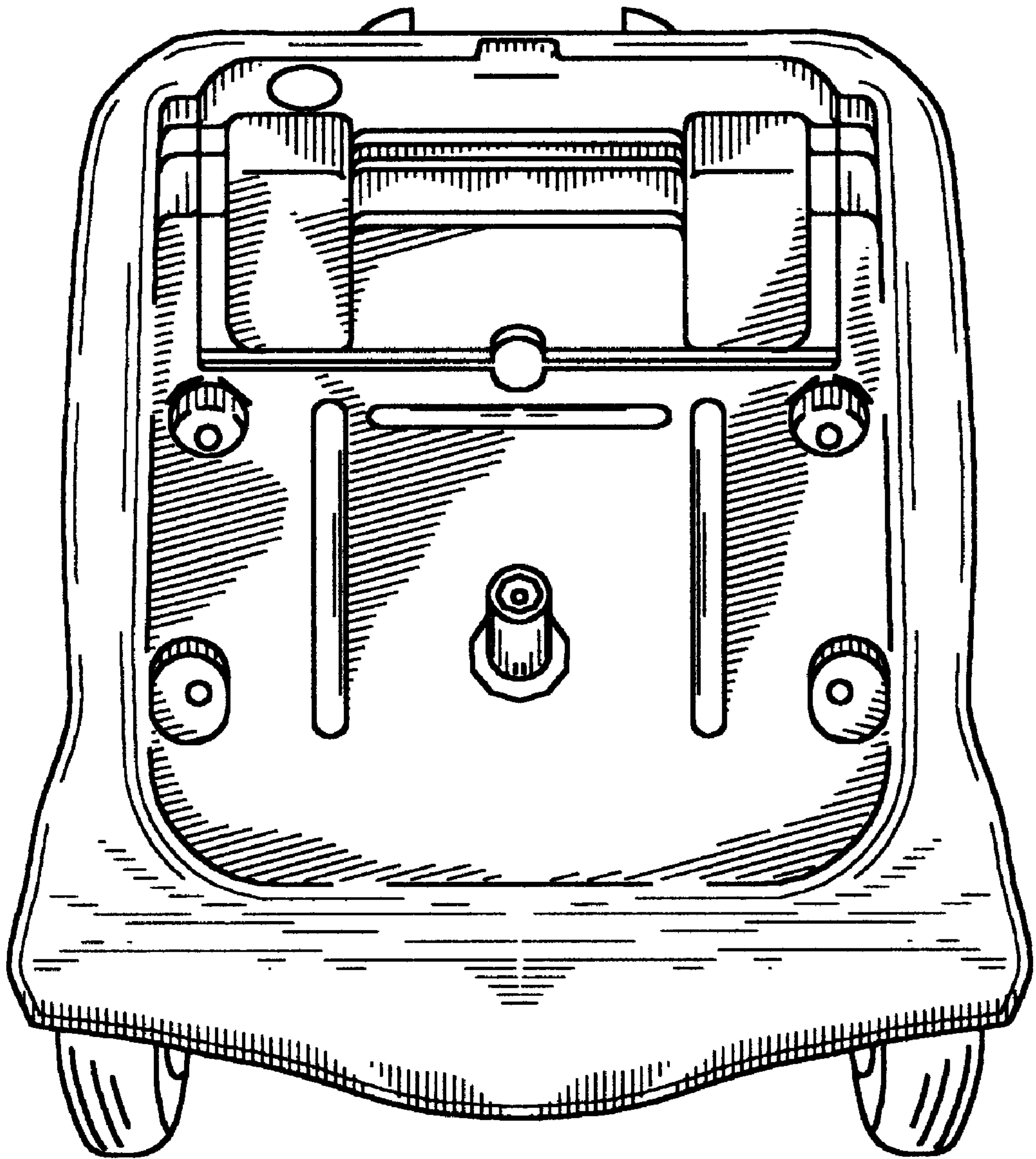


FIG. 2



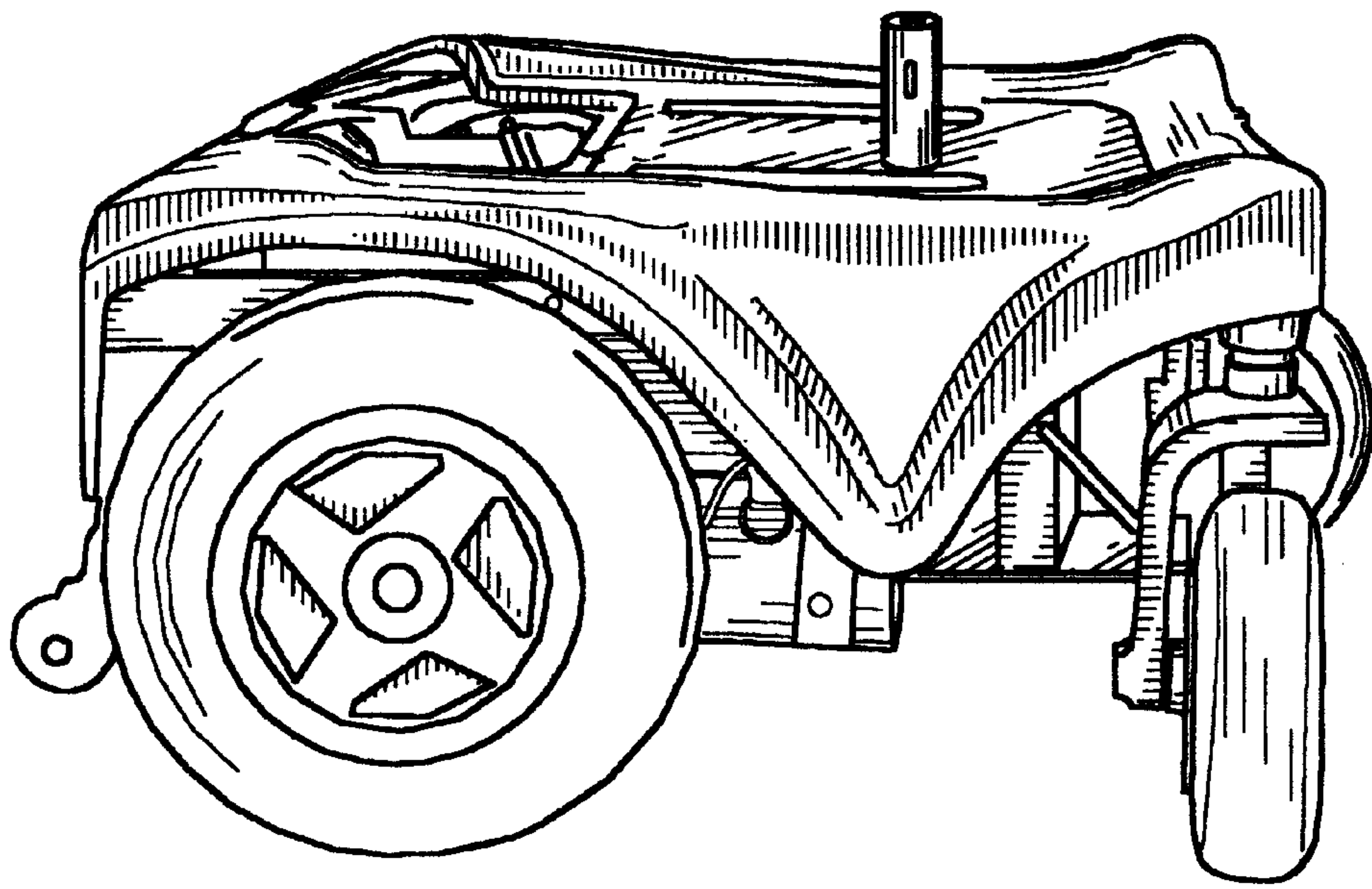


FIG. 3

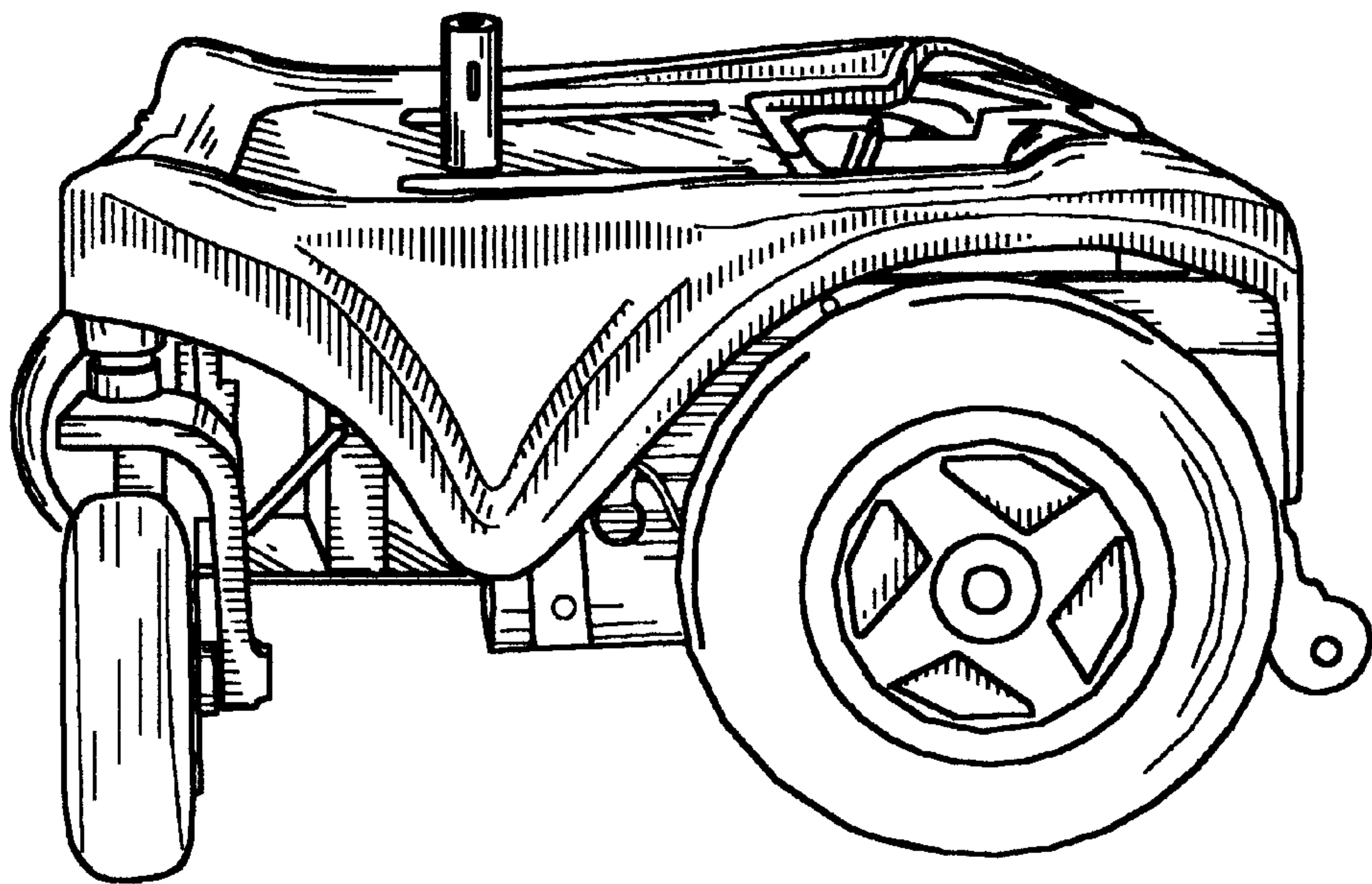


FIG. 4