



US00D468666S

(12) **United States Design Patent**  
**Miller**

(10) **Patent No.:** **US D468,666 S**

(45) **Date of Patent:** **\*\* Jan. 14, 2003**

(54) **THROTTLE CABLE ADAPTOR FOR SNOWMOBILES**

(76) **Inventor:** **James R. Miller**, 529 S. Lavina, Sandpoint, ID (US) 83864

(\*\*) **Term:** **14 Years**

(21) **Appl. No.:** **29/147,625**

(22) **Filed:** **Aug. 30, 2001**

(51) **LOC (7) Cl.** ..... **12-14**

(52) **U.S. Cl.** ..... **D12/7; D12/174**

(58) **Field of Search** ..... **D12/7, 174, 179, D12/114, 177; 180/335**

(56) **References Cited**

**U.S. PATENT DOCUMENTS**

4,213,513 A	*	7/1980	Beck	.....	180/272
D265,816 S	*	8/1982	Matre	.....	D12/174
D273,101 S	*	3/1984	Kiser, Jr.	.....	D12/174

**OTHER PUBLICATIONS**

Drag Specialties 1995 Cat.p. 383—Cable Clamps at top.\*

\* cited by examiner

*Primary Examiner*—Nelson C. Holtje

(74) *Attorney, Agent, or Firm*—Jensen & Puntigam, P.S.

(57) **CLAIM**

The ornamental design for a throttle cable adaptor for snowmobiles, as shown and described.

**DESCRIPTION**

FIG. 1 is an isometric view of one embodiment of a throttle cable adaptor for snowmobiles showing my new design;

FIG. 2 is a front elevational view thereof;

FIG. 3 is a rear elevational view thereof;

FIG. 4 is a left side elevational view thereof;

FIG. 5 is a right side elevational view thereof;

FIG. 6 is a top plan view thereof;

FIG. 7 is a bottom plan view thereof;

FIG. 8 is an isometric view of another embodiment of a throttle cable adaptor for snowmobiles showing my new design;

FIG. 9 is a front elevational view of the embodiment of FIG. 8;

FIG. 10 is a rear elevational view of the embodiment of FIG. 8;

FIG. 11 is a left side elevational view of the embodiment of FIG. 8;

FIG. 12 is a right side elevational view of the embodiment of FIG. 8;

FIG. 13 is a top plan view of the embodiment of FIG. 8; and,

FIG. 14 is a bottom plan view of the embodiment of FIG. 8.

The broken line showing of a fastener in FIGS. 1 and 8 is for illustrative purposes only and forms no part of the claimed design.

**1 Claim, 3 Drawing Sheets**

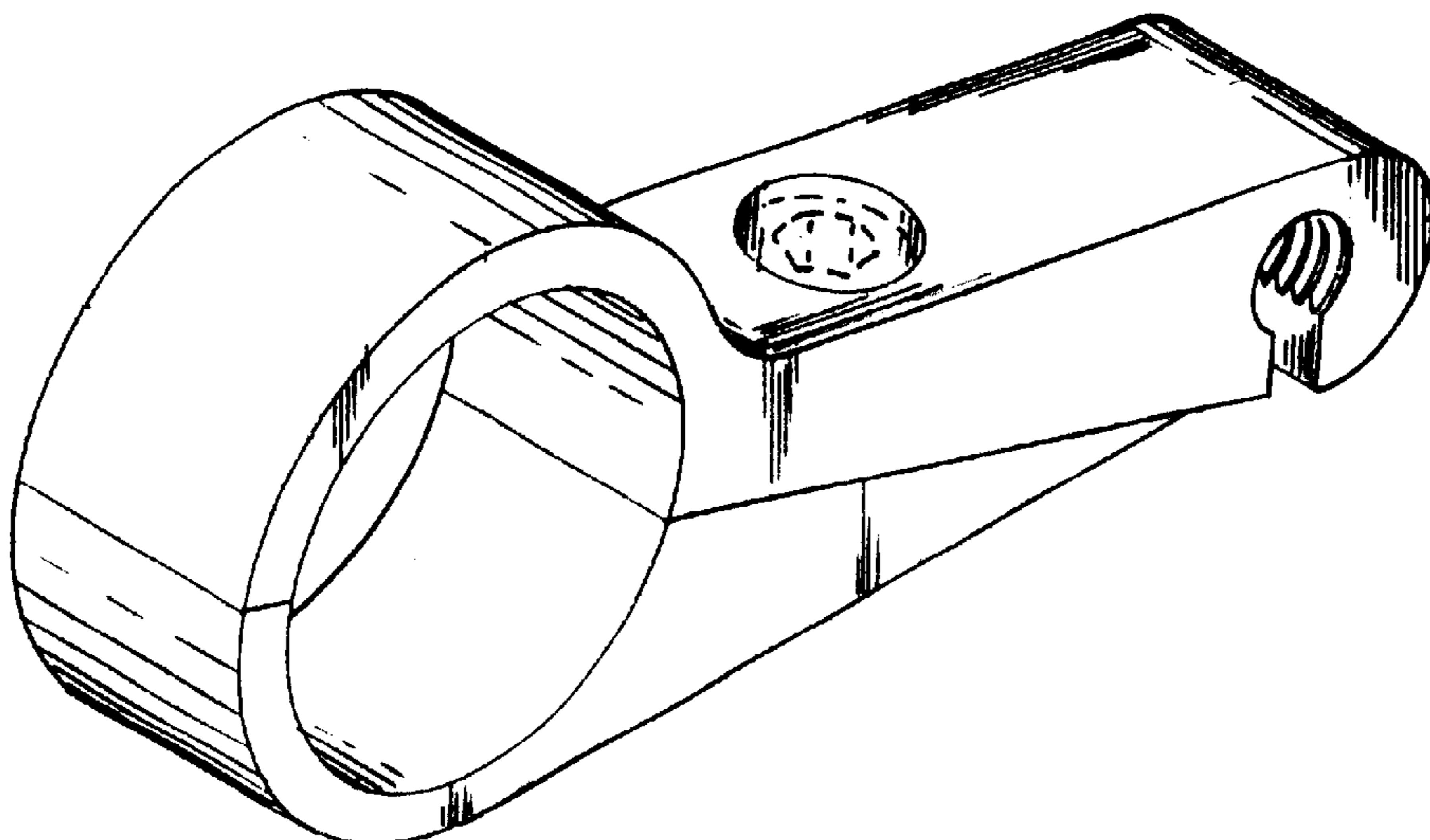


FIG. 1

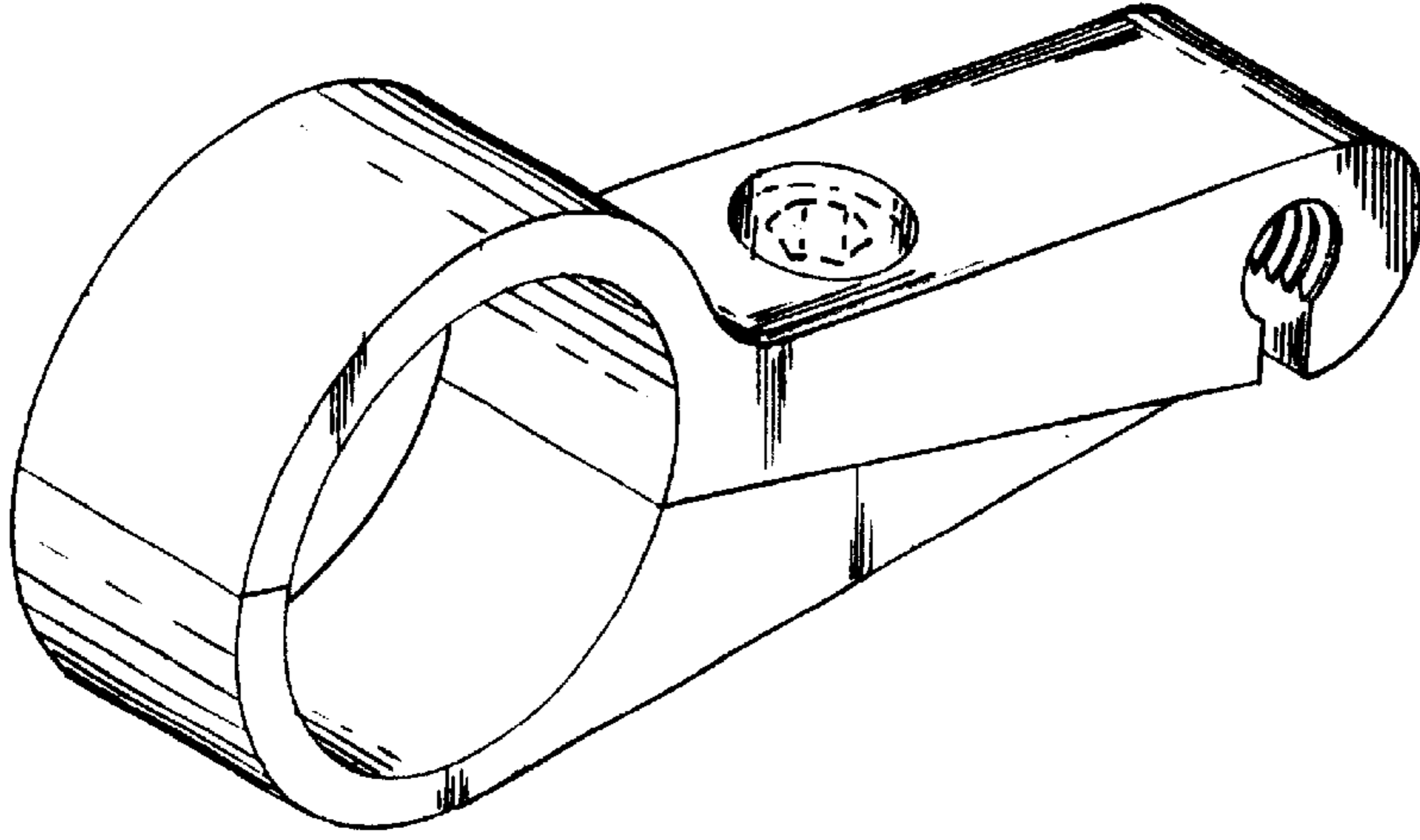


FIG. 2

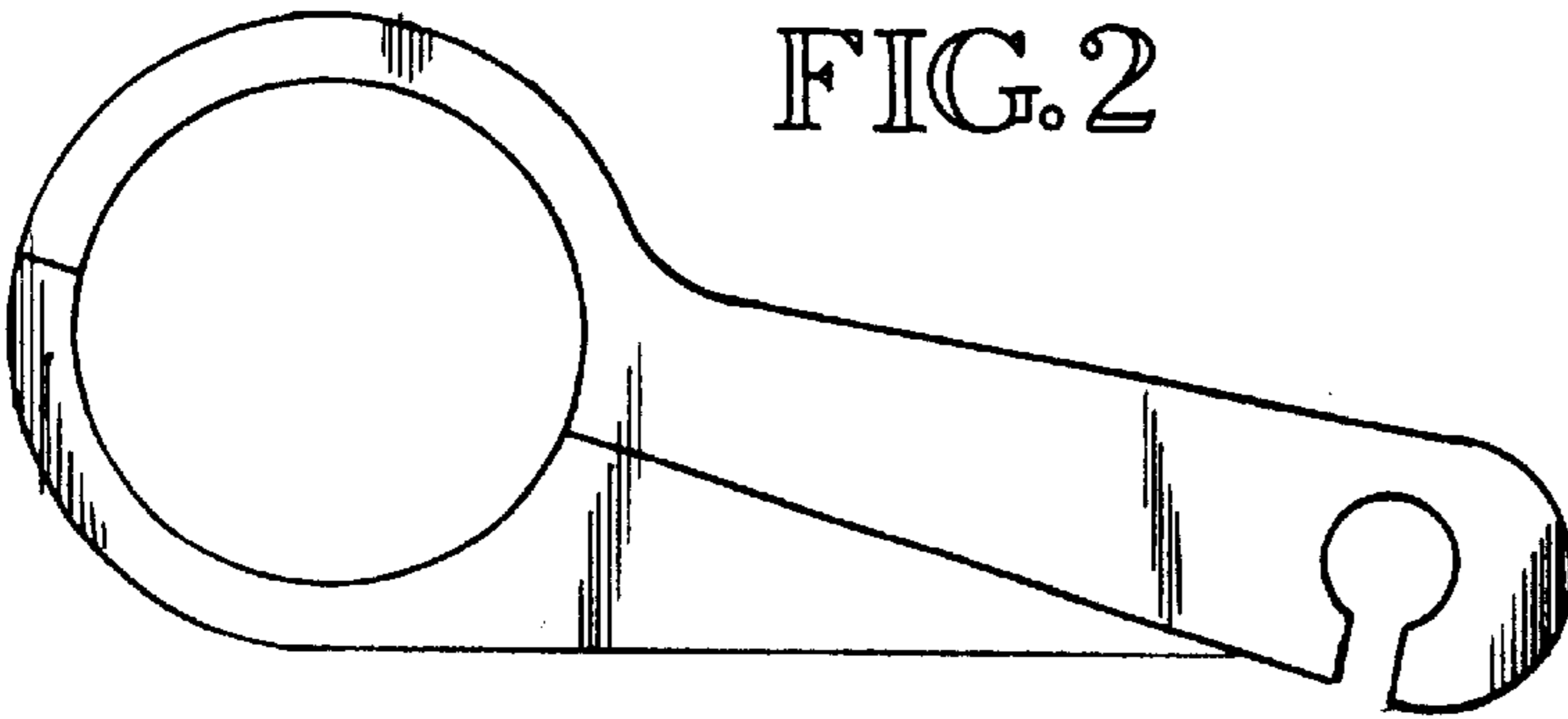


FIG. 3

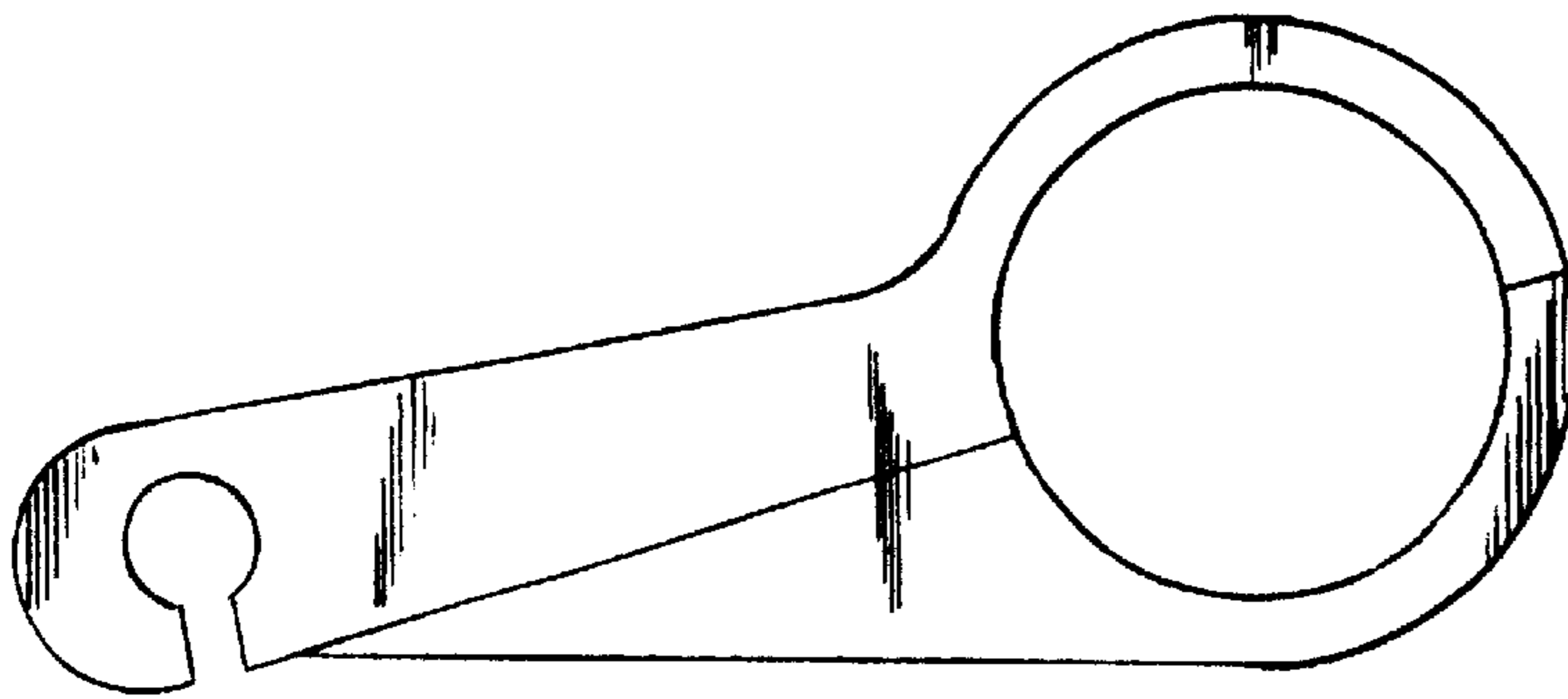
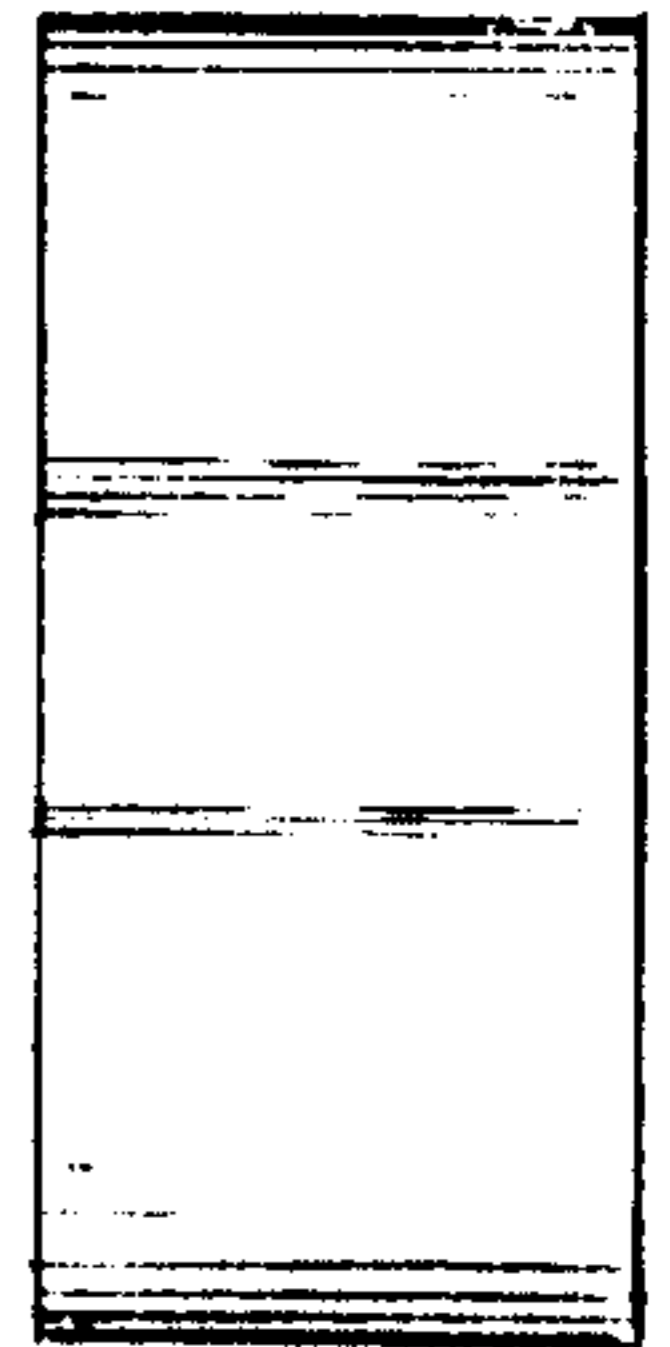


FIG. 4

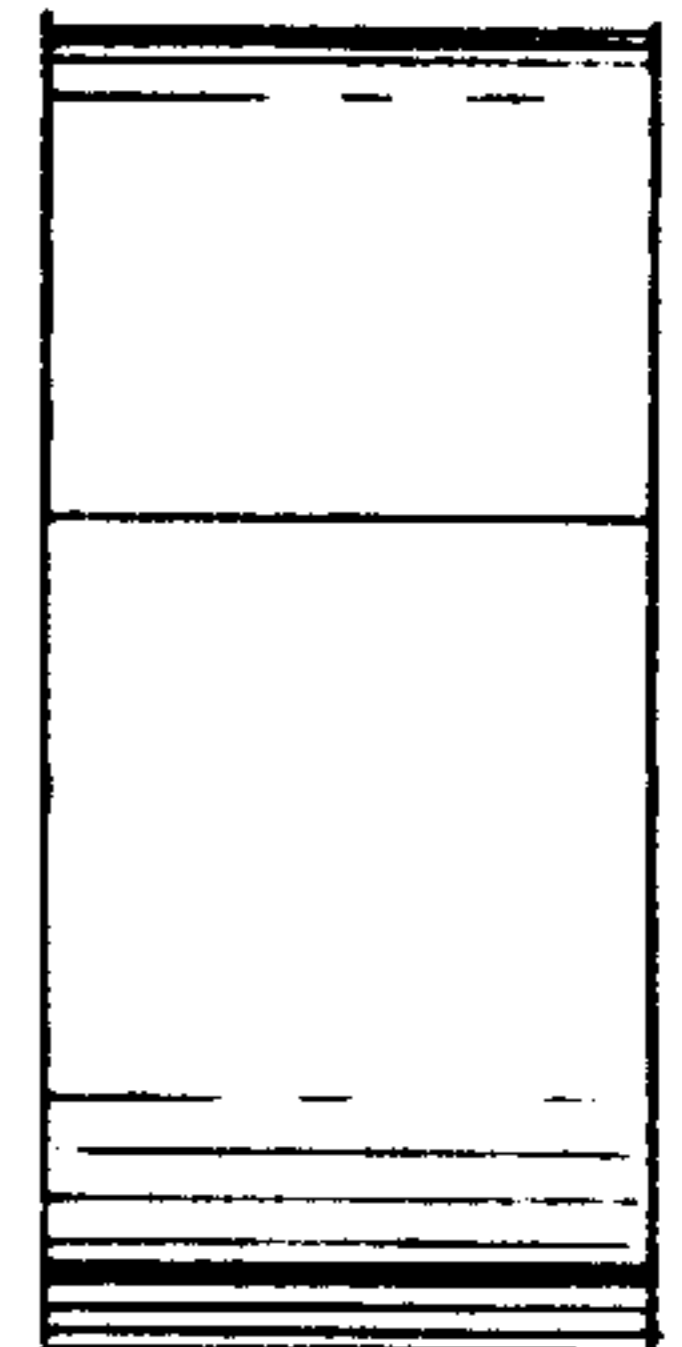


FIG. 5

FIG. 6

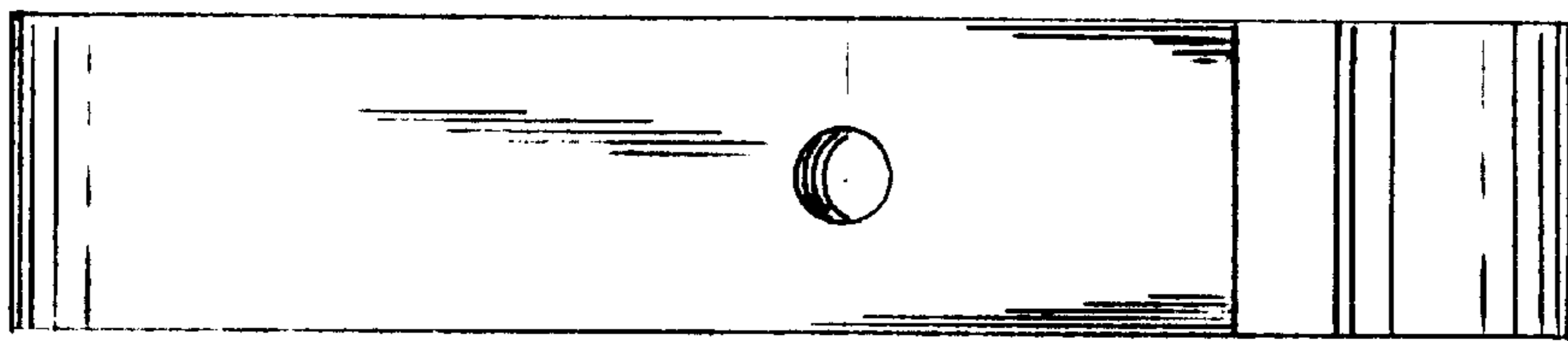
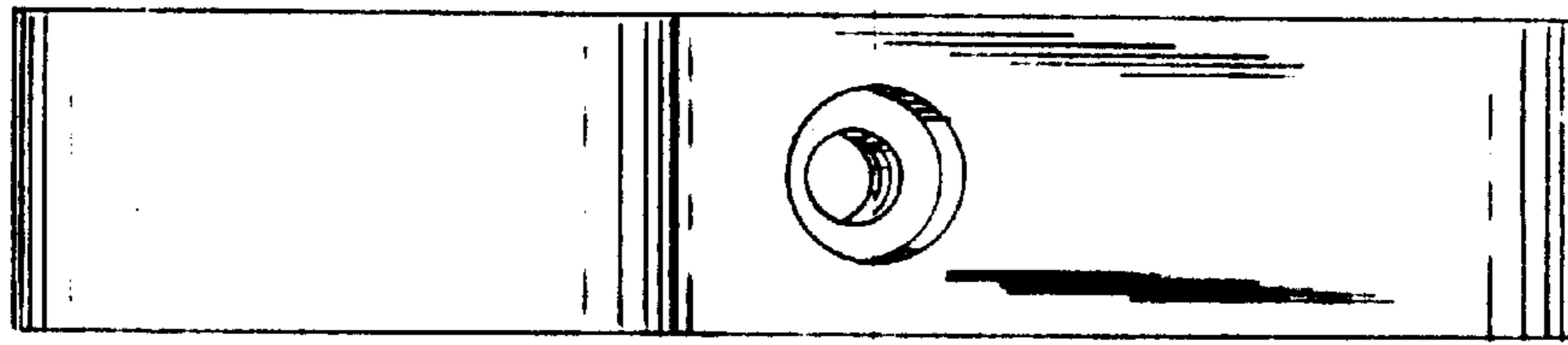


FIG. 7

FIG. 8

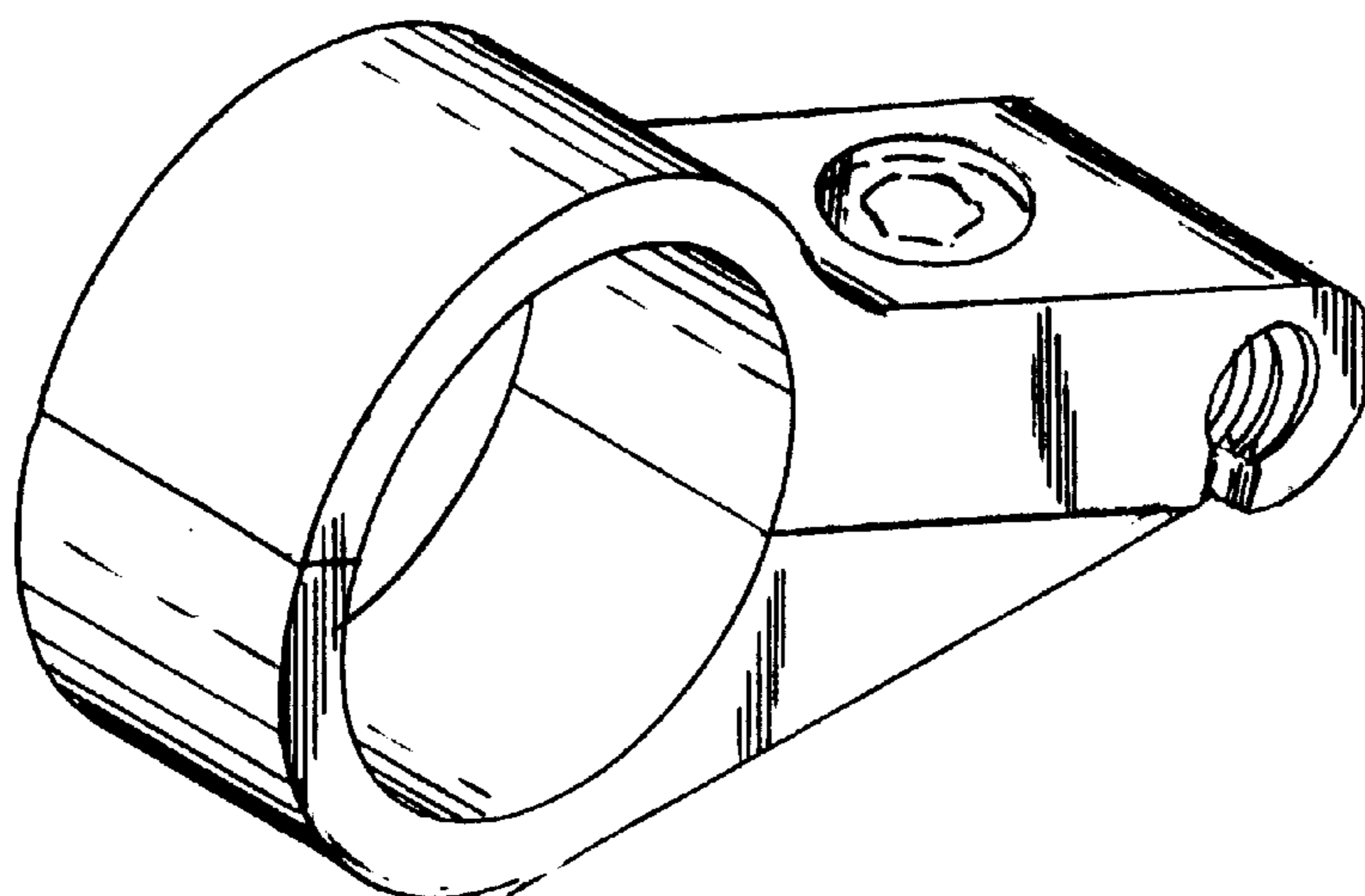


FIG. 9

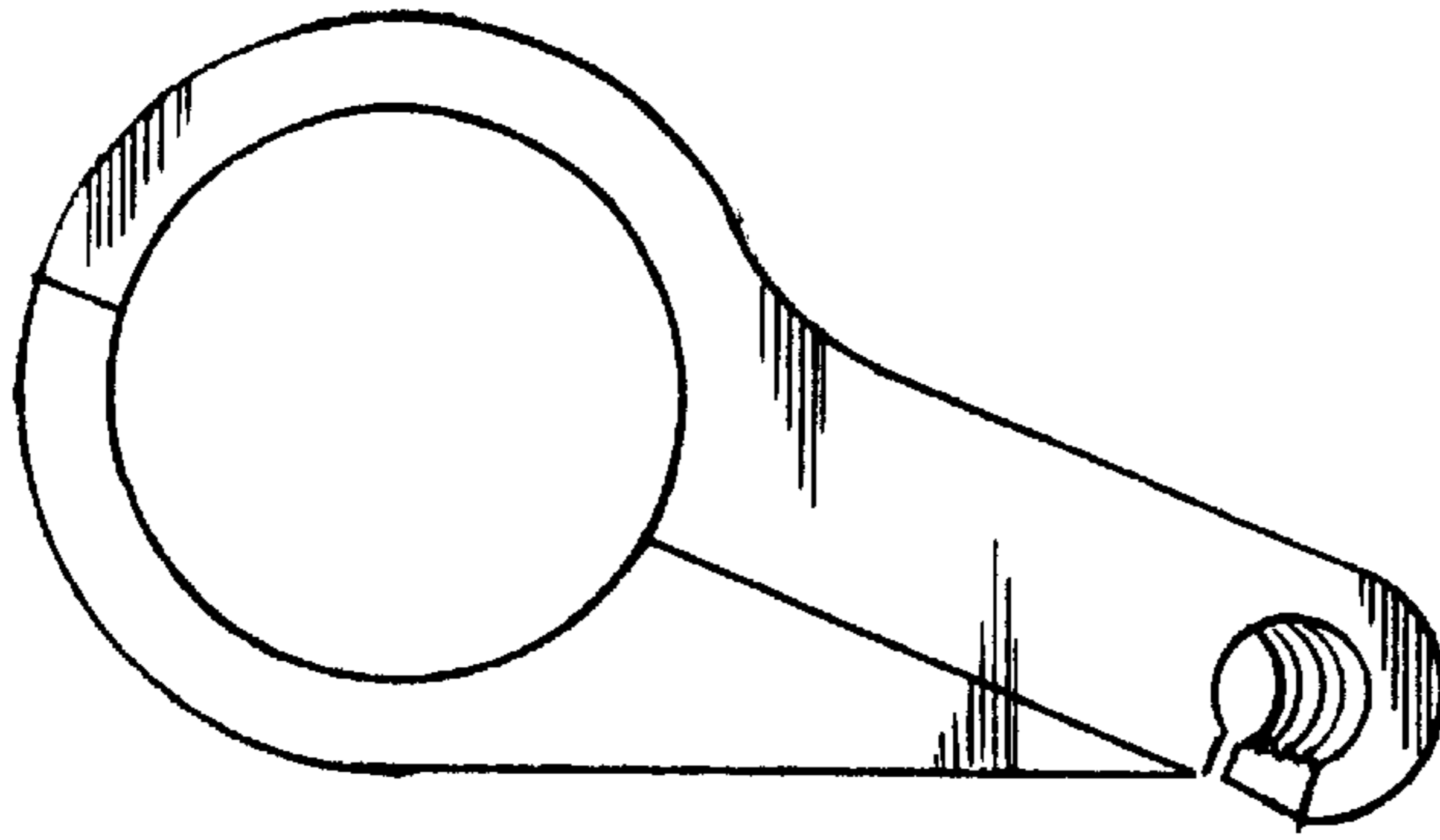


FIG. 10

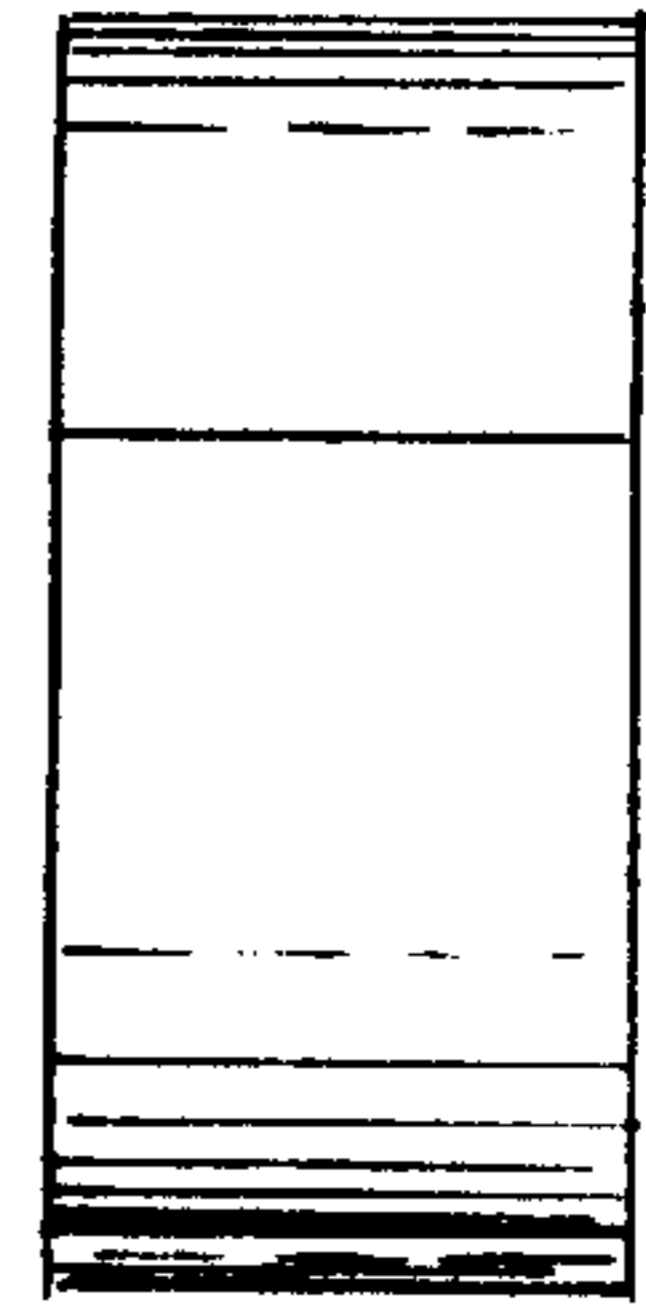
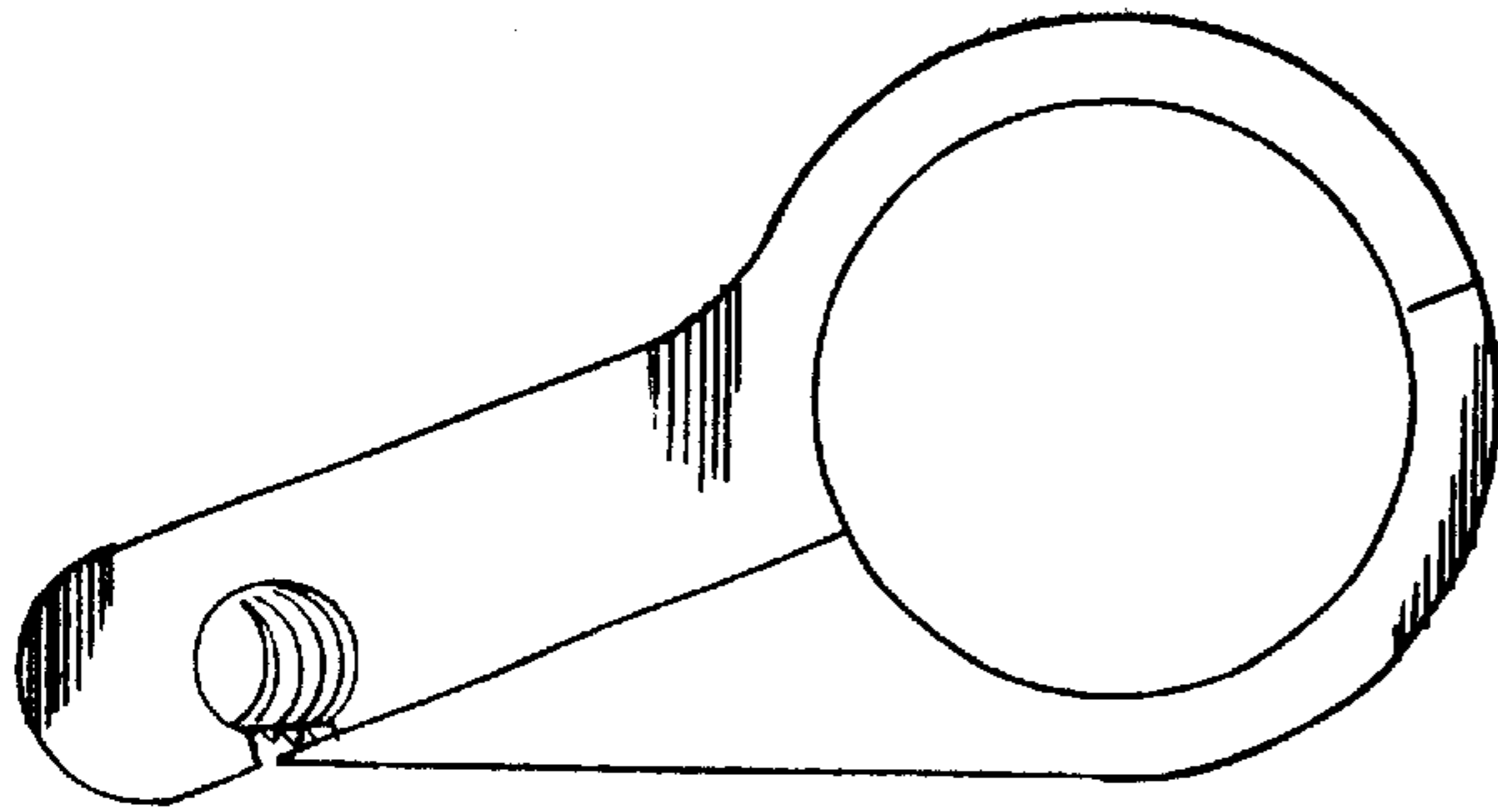
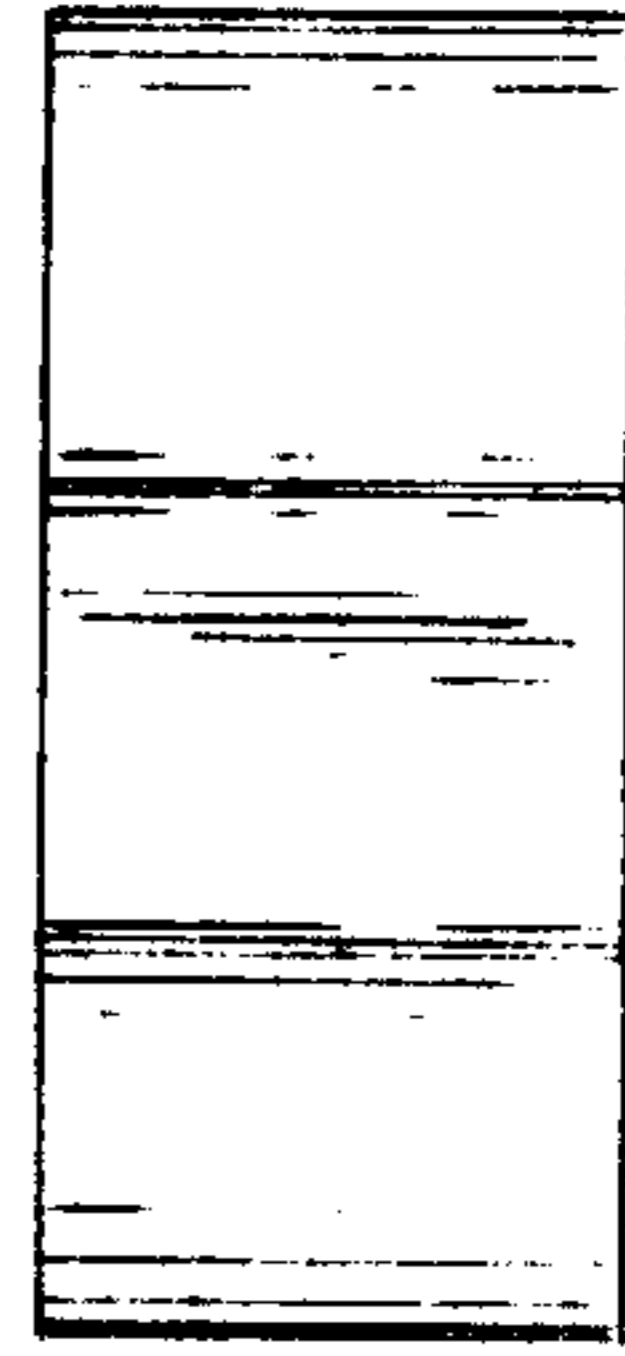


FIG. 11

FIG. 12

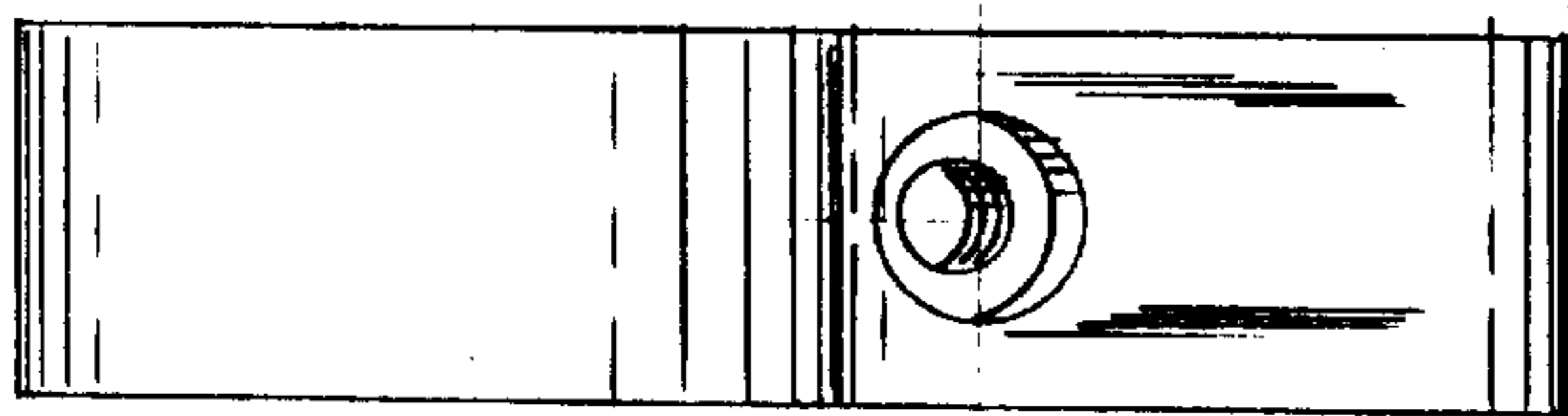


FIG. 13

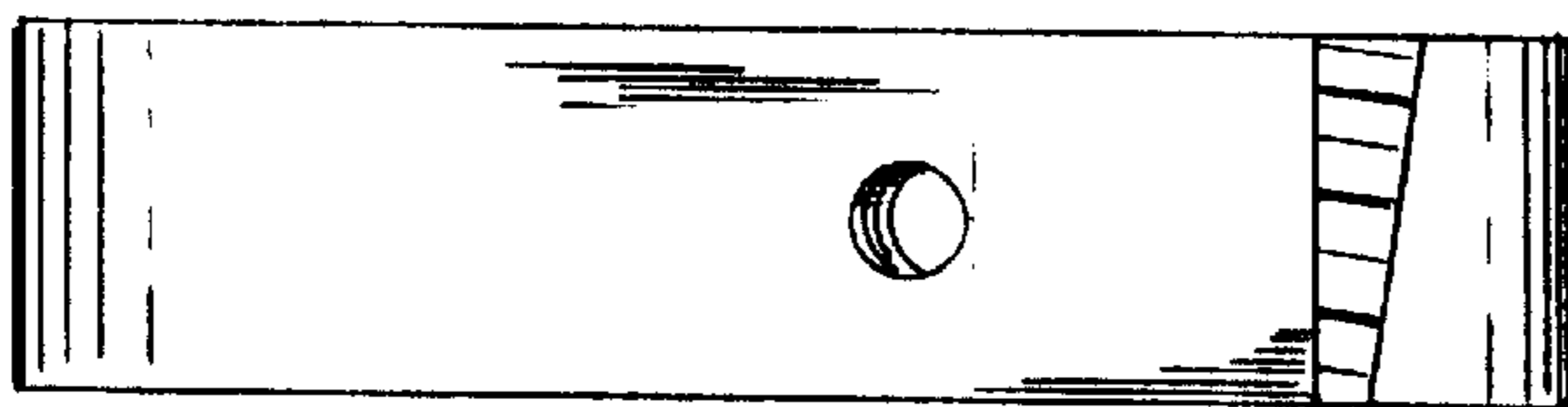


FIG. 14