



US00D468665S

(12) **United States Design Patent**  
**Miller**

(10) **Patent No.:** **US D468,665 S**

(45) **Date of Patent:** **\*\* Jan. 14, 2003**

(54) **TWO-PIECE THROTTLE CABLE ADAPTOR FOR SNOWMOBILES**

Drag Spealties Cat. 1995—p. 383—support bracket at center right.\*

(76) Inventor: **James R. Miller**, 529 S. Lavina, Sandpoint, ID (US) 83864

\* cited by examiner

(\*\*) Term: **14 Years**

*Primary Examiner*—Nelson C. Holtje

(74) *Attorney, Agent, or Firm*—Jensen & Puntigam, P.S.

(21) Appl. No.: **29/147,619**

(57) **CLAIM**

(22) Filed: **Aug. 30, 2001**

The ornamental design for a two-piece throttle cable adaptor for snowmobiles, as shown and described.

(51) **LOC (7) Cl.** ..... **12-14**

**DESCRIPTION**

(52) **U.S. Cl.** ..... **D12/7; D12/174**

(58) **Field of Search** ..... D12/7, 174, 179, D12/114, 177; 180/335

FIG. 1 is an isometric view of a two-piece throttle cable adaptor for snowmobiles showing my new design; FIG. 2 is a front elevational view thereof; FIG. 3 is a right side elevational view thereof; FIG. 4 is a rear elevational view thereof; FIG. 5 is a left side elevational view thereof; FIG. 6 is a top plan view thereof; and, FIG. 7 is a bottom plan view thereof.

(56) **References Cited**

**U.S. PATENT DOCUMENTS**

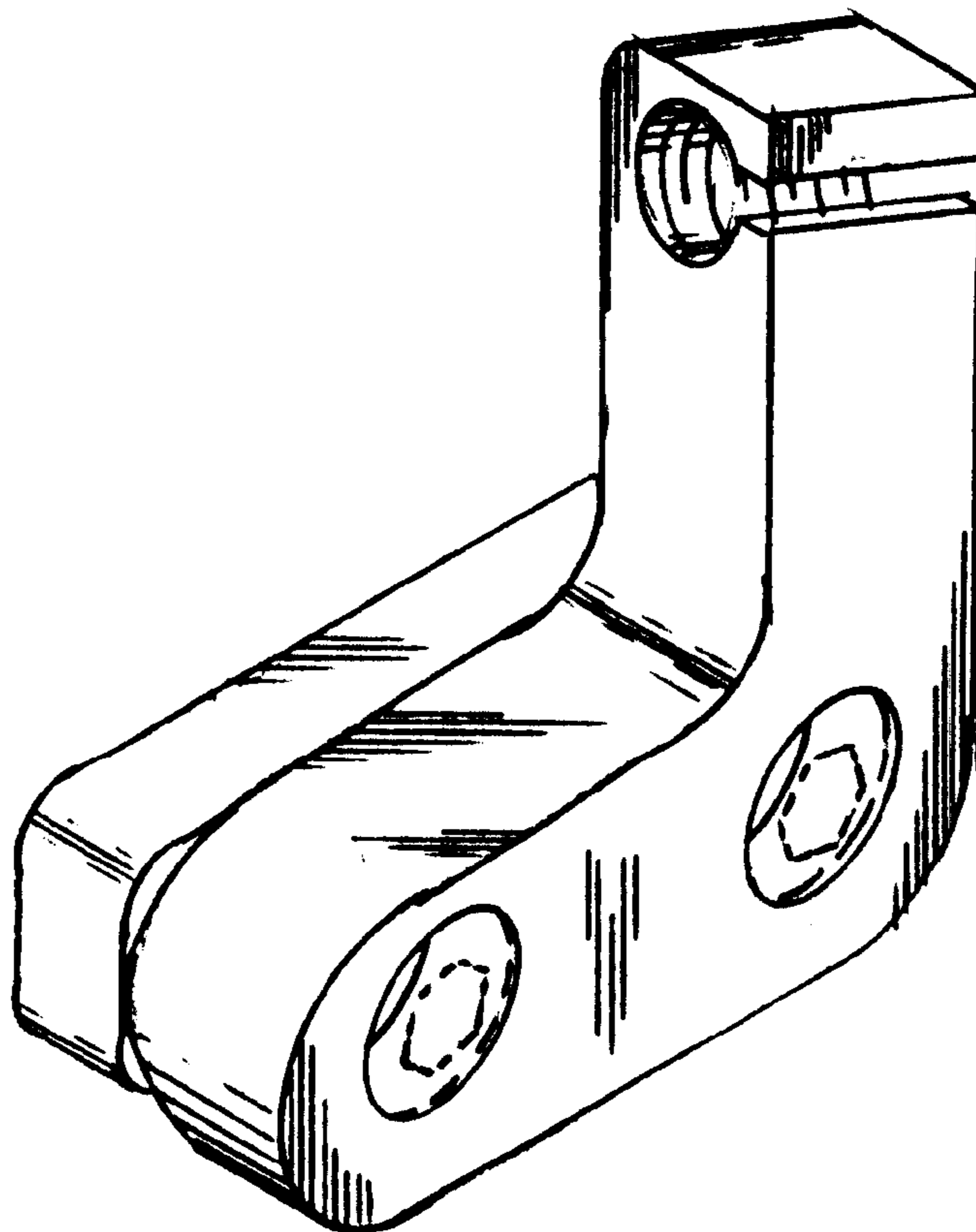
4,213,513 A *	7/1980	Beck	.....	180/272
D273,101 S *	3/1984	Kiser, Jr.	.....	D12/174
D296,203 S *	6/1988	Lane, Jr.	.....	D12/174
6,412,583 B1 *	7/2002	Caple	.....	180/190

The broken line showing of fasteners in FIG. 1 is for illustrative purposes only and forms no part of the claimed design.

**OTHER PUBLICATIONS**

Tucker Rocky—ATVCat.p.33—throttle at center.\*

**1 Claim, 2 Drawing Sheets**



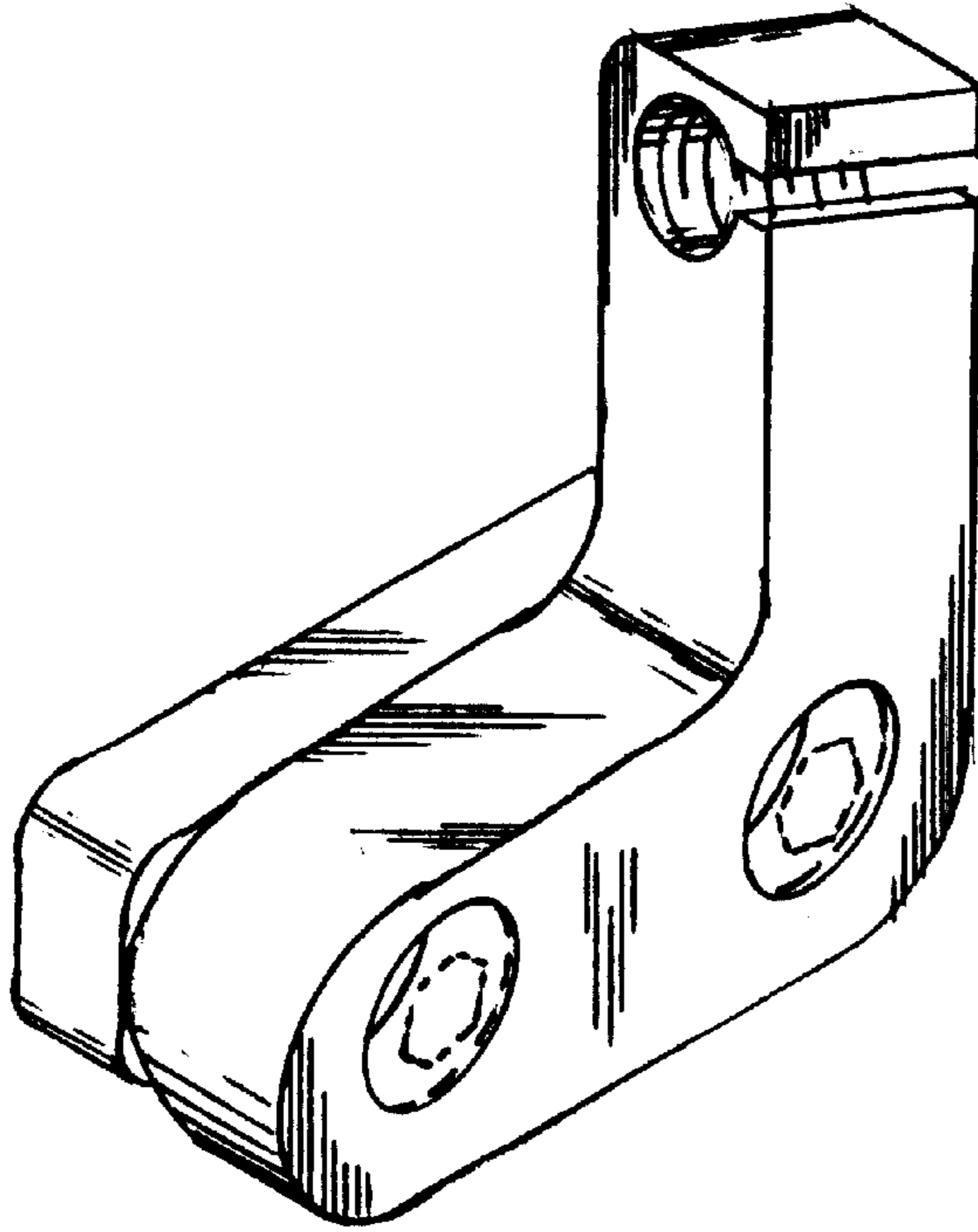


FIG. 1

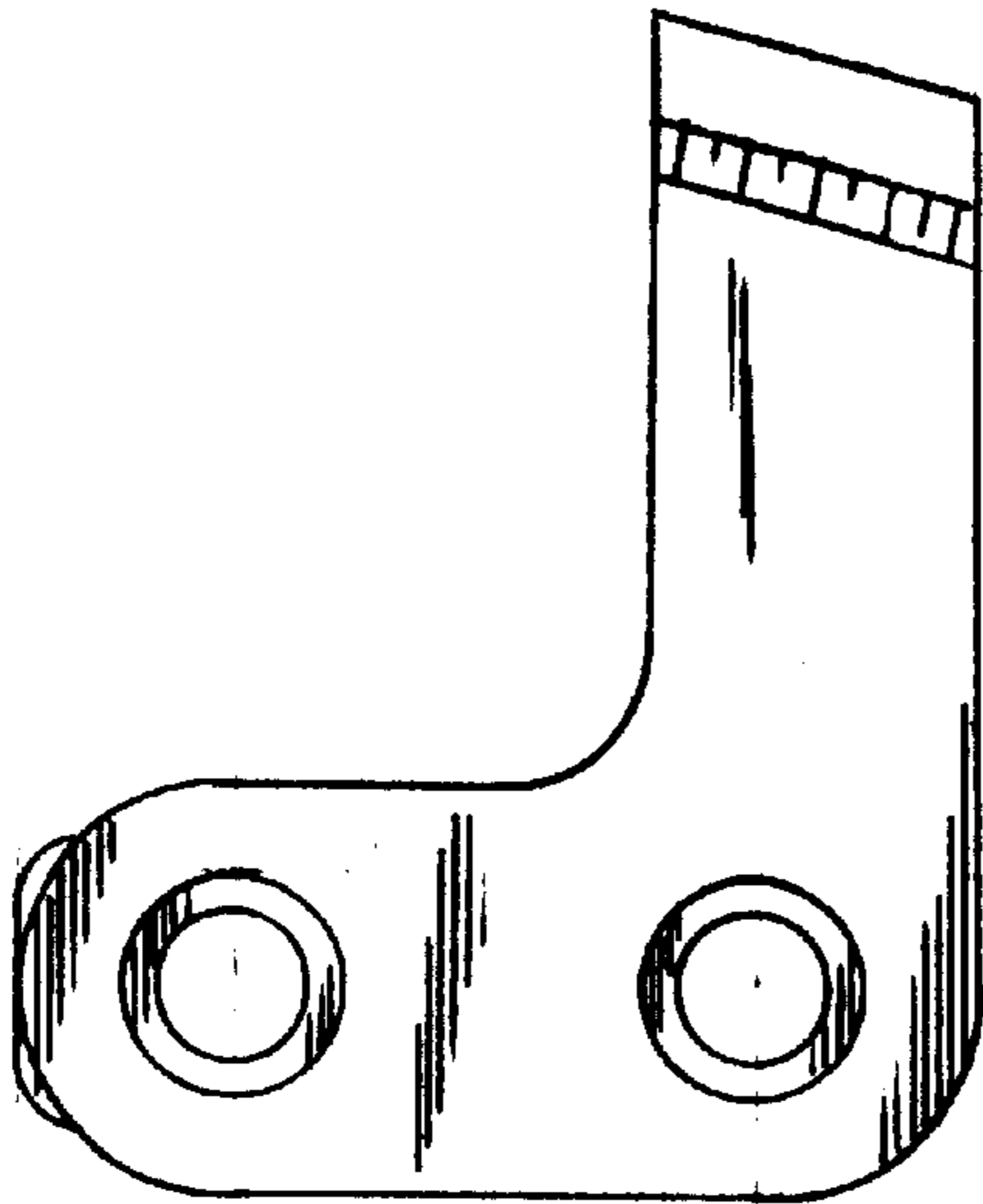


FIG. 2

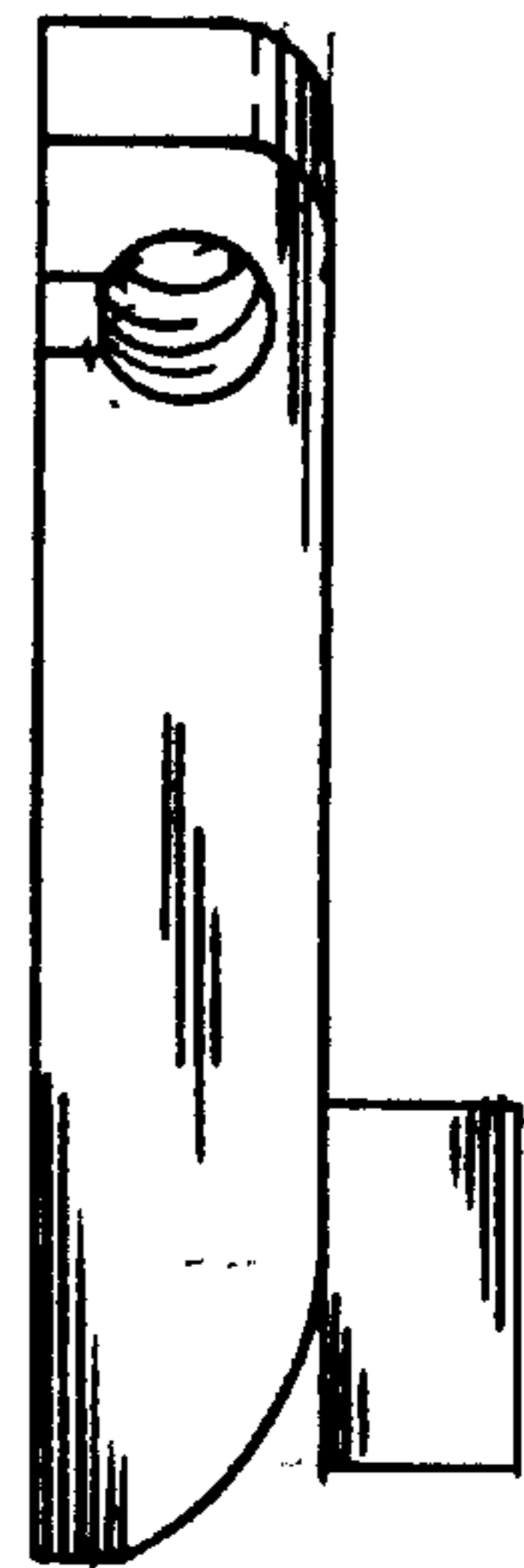


FIG. 3

FIG. 4

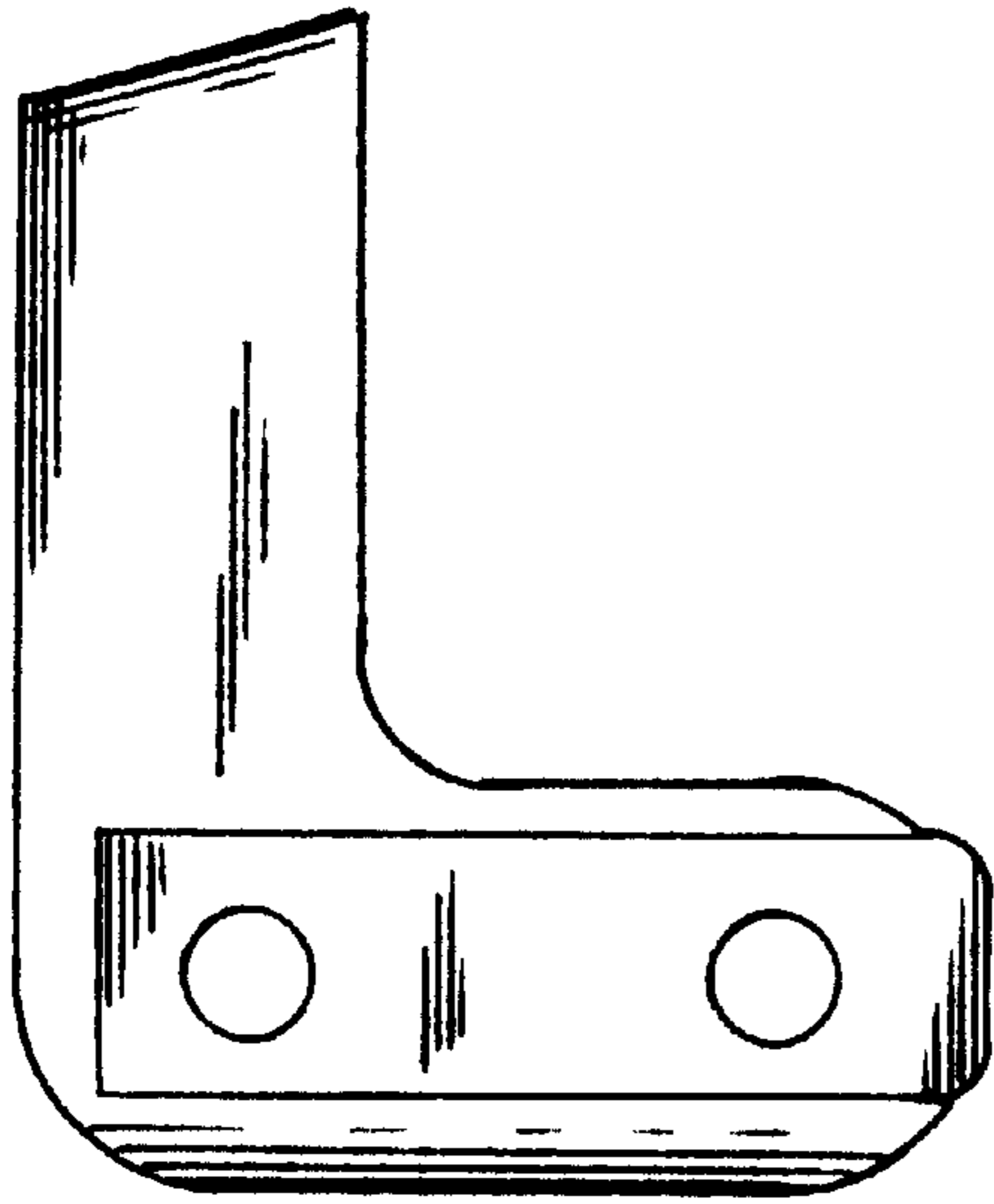


FIG. 5

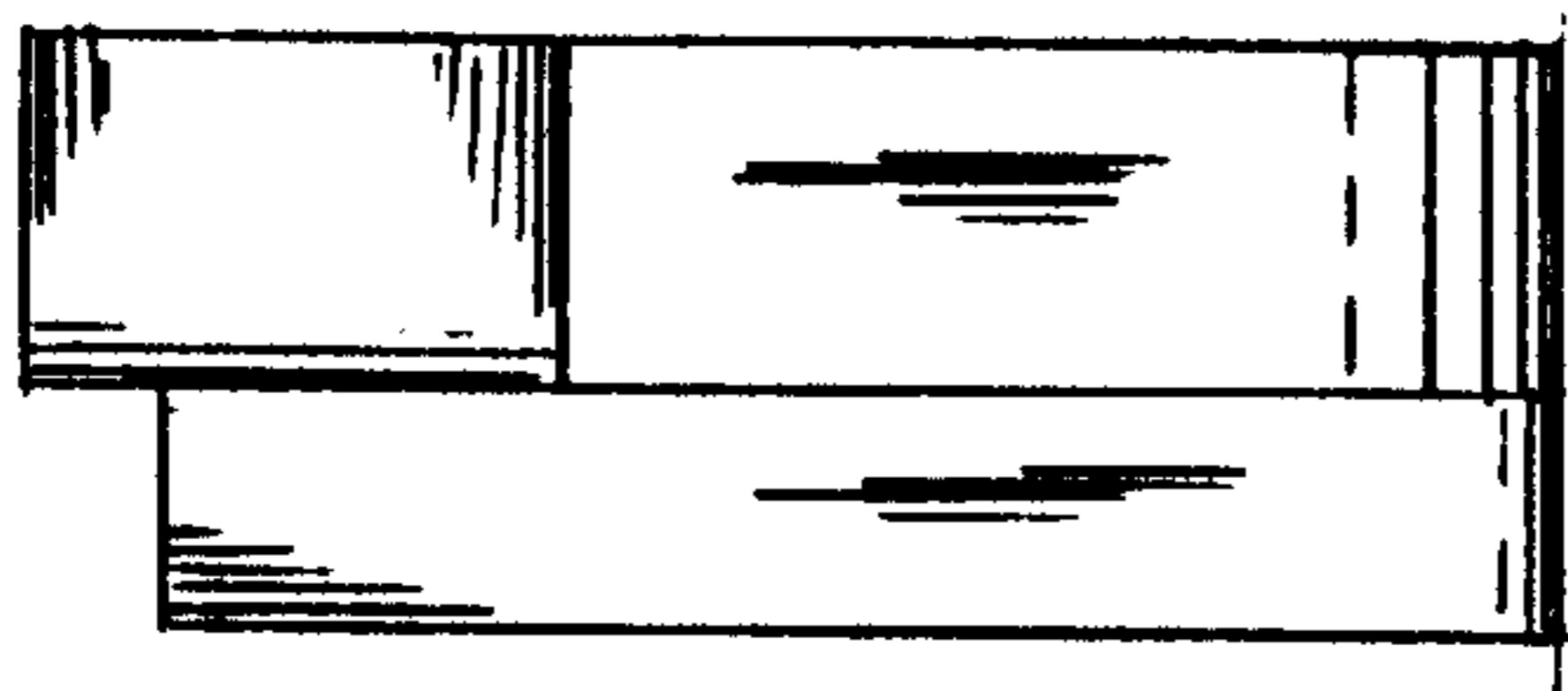
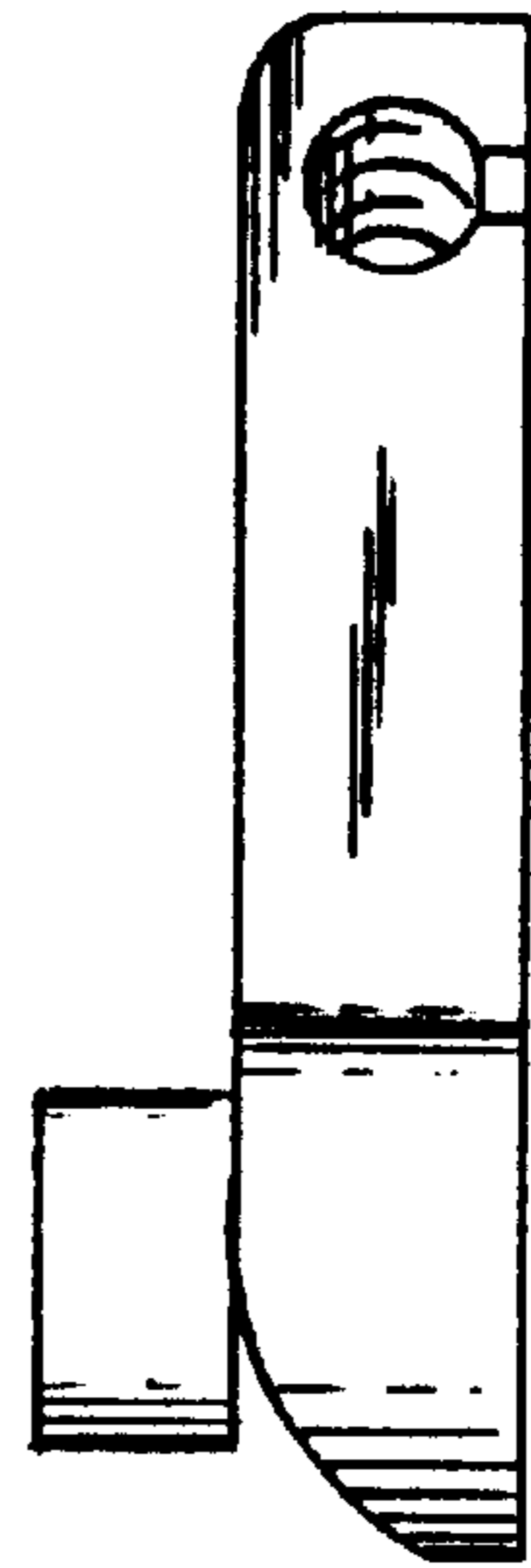


FIG. 6

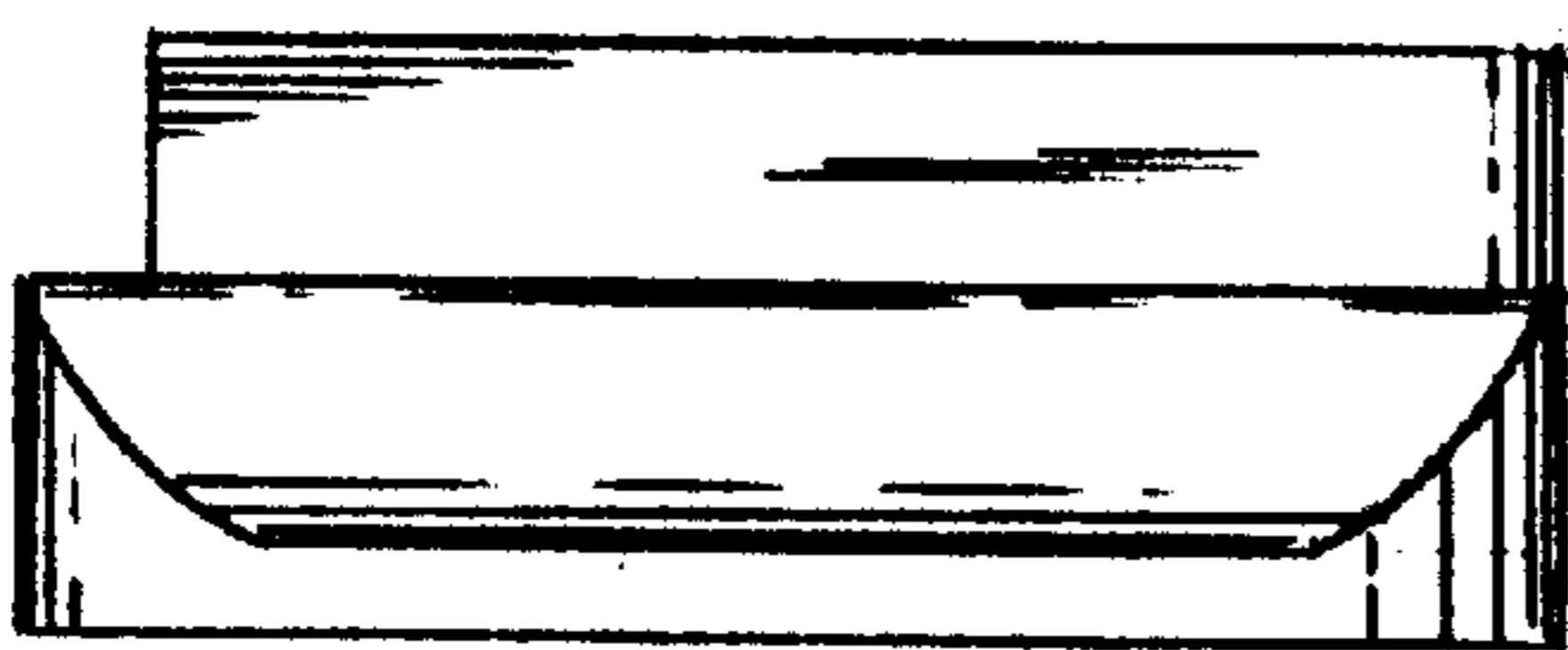


FIG. 7