



US00D468663S

(12) **United States Design Patent**  
**Fan**

(10) **Patent No.:** **US D468,663 S**

(45) **Date of Patent:** **\*\* Jan. 14, 2003**

(54) **FLOWER BOX POTTERY**

(76) Inventor: **Jianhua Fan**, 5800 Maudina Ave. #C2,  
Nashville, TN (US) 37209

(\*\*) Term: **14 Years**

(21) Appl. No.: **29/147,992**

(22) Filed: **Sep. 12, 2001**

(51) **LOC (7) Cl.** ..... **11-02**

(52) **U.S. Cl.** ..... **D11/156**

(58) **Field of Search** ..... D11/143, 144,  
D11/145, 148, 155, 156; D7/552.2, 550.1,  
554.3; D9/341, 456; 47/41.01, 65.5, 65.7,  
66.1, 66.2, 66.6, 68, 69, 70, 71, 73; 206/223,  
423, 557, 562, 564; 248/27.8; 220/23.83,  
23.86

(56) **References Cited**

**U.S. PATENT DOCUMENTS**

- D25,040 S \* 1/1896 Healy ..... D7/552.2
- 1,216,642 A 2/1917 White
- D194,429 S \* 1/1963 Kuhn ..... D11/156
- 3,078,985 A \* 2/1963 Robinson ..... 206/223
- 3,220,144 A 11/1965 Green
- 3,611,633 A 10/1971 Shackelford
- D236,569 S \* 9/1975 Kramer ..... D11/156
- D322,707 S \* 12/1991 Iverson ..... D11/156
- D352,480 S 11/1994 Carlson
- D359,013 S \* 6/1995 Carlson ..... D11/156
- 5,638,638 A 6/1997 Moskowitz

- D385,507 S \* 10/1997 Hulsebus ..... D11/156
- D397,958 S \* 9/1998 Ruthenberg ..... D11/156
- D446,157 S \* 8/2001 Glenn ..... D11/156
- D450,011 S \* 11/2001 Fan ..... D11/156

**FOREIGN PATENT DOCUMENTS**

FR 1.263.364 4/1960

\* cited by examiner

*Primary Examiner*—Doris V. Coles

*Assistant Examiner*—Mimosa De

(57) **CLAIM**

The ornamental design for flower box pottery, as shown and described.

**DESCRIPTION**

FIG. 1 is a perspective view of a flower box pottery shown from the front, left, and above;  
 FIG. 2 is a perspective view thereof shown from the rear, left, and below;  
 FIG. 3 is a top plan view thereof;  
 FIG. 4 is a bottom plan view thereof;  
 FIG. 5 is a right side elevational view thereof, a left side elevational view thereof is a mirror image thereof; and,  
 FIG. 6 is a front side elevational view thereof, a rear elevational side view thereof is a mirror image thereof.  
 The dash lines shown in the drawings are for illustrative purposes only and form no part of the claimed design.

**1 Claim, 4 Drawing Sheets**

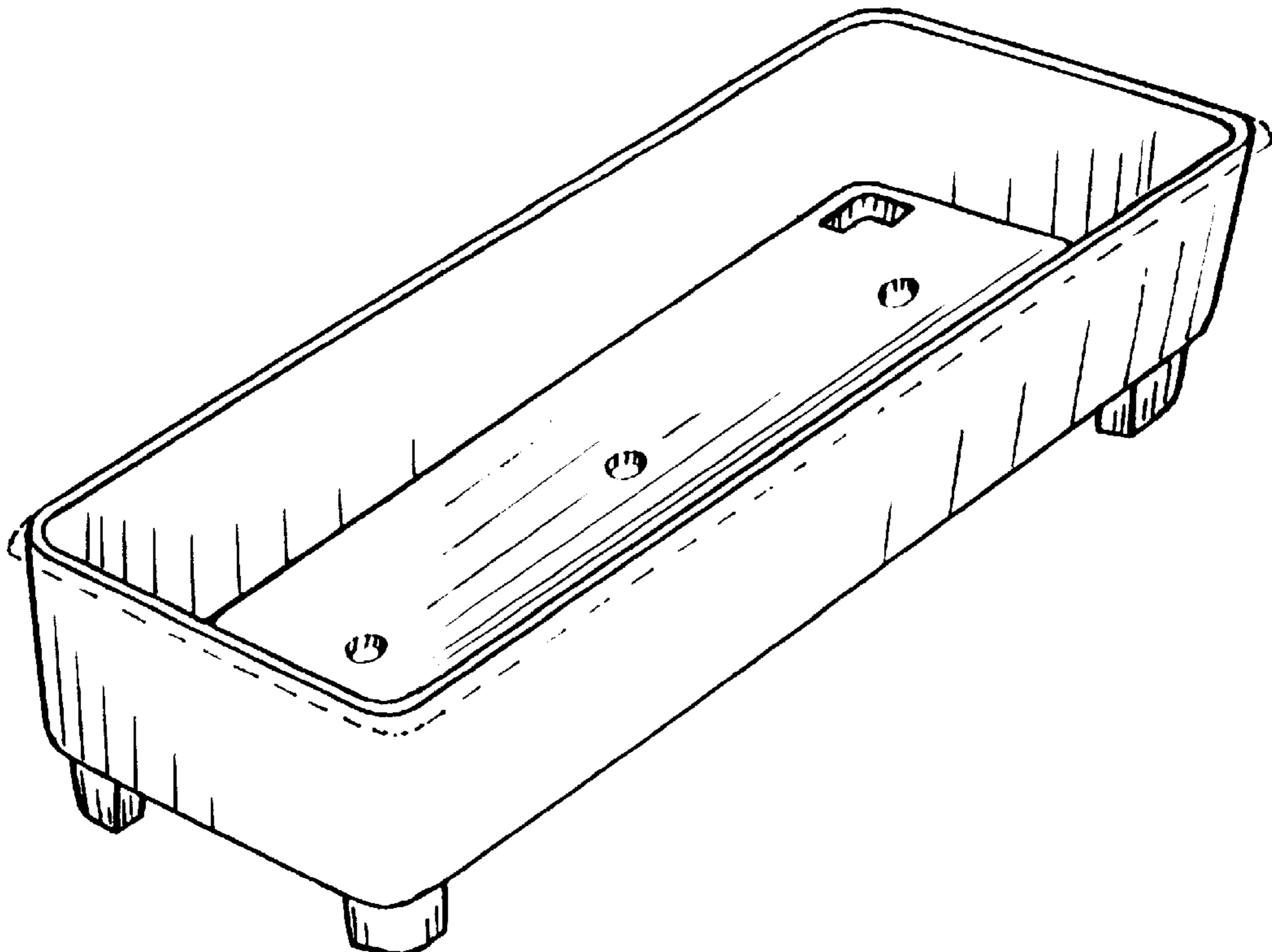


Fig. 1

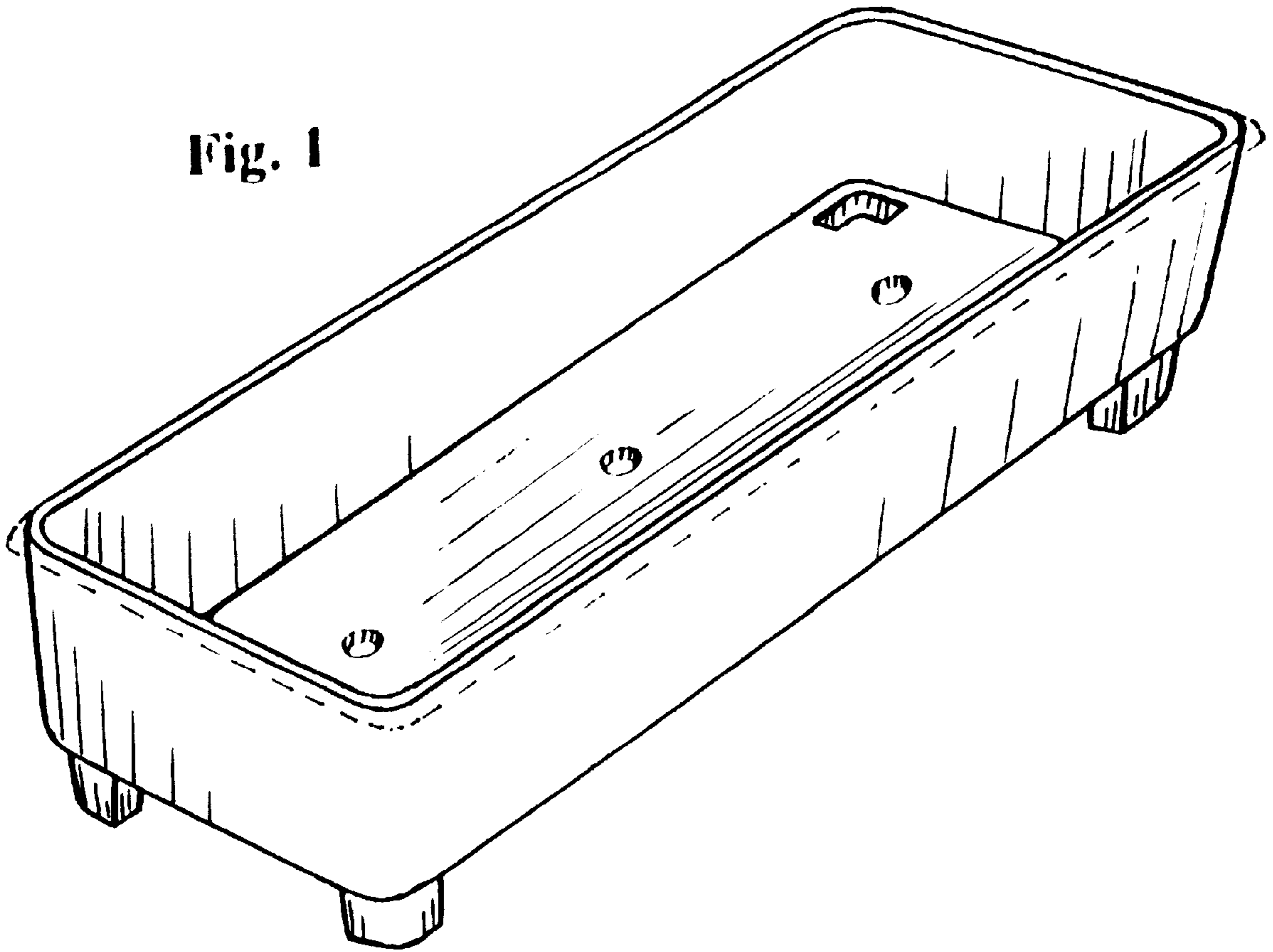


Fig. 2

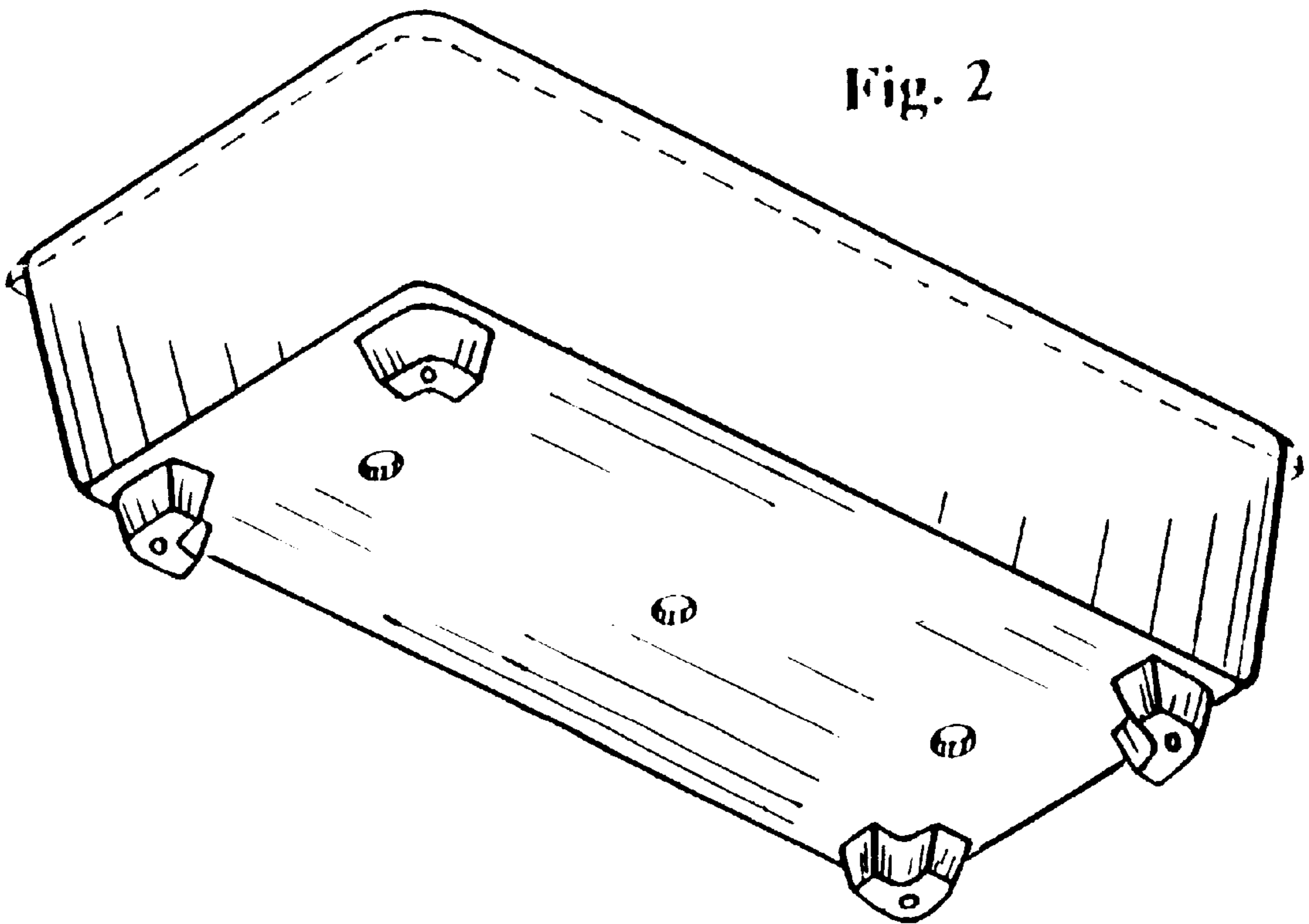


Fig. 3

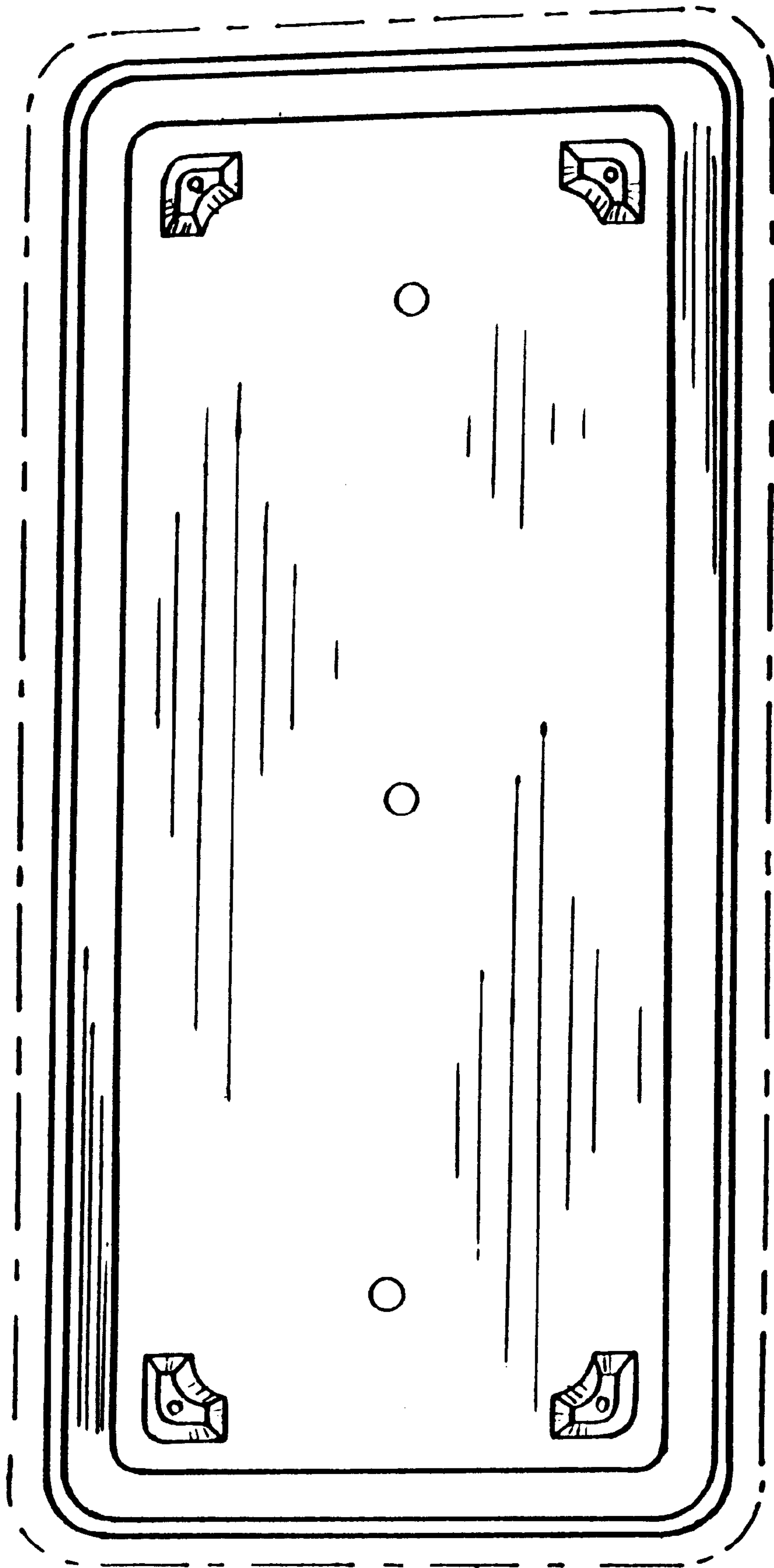


Fig. 4

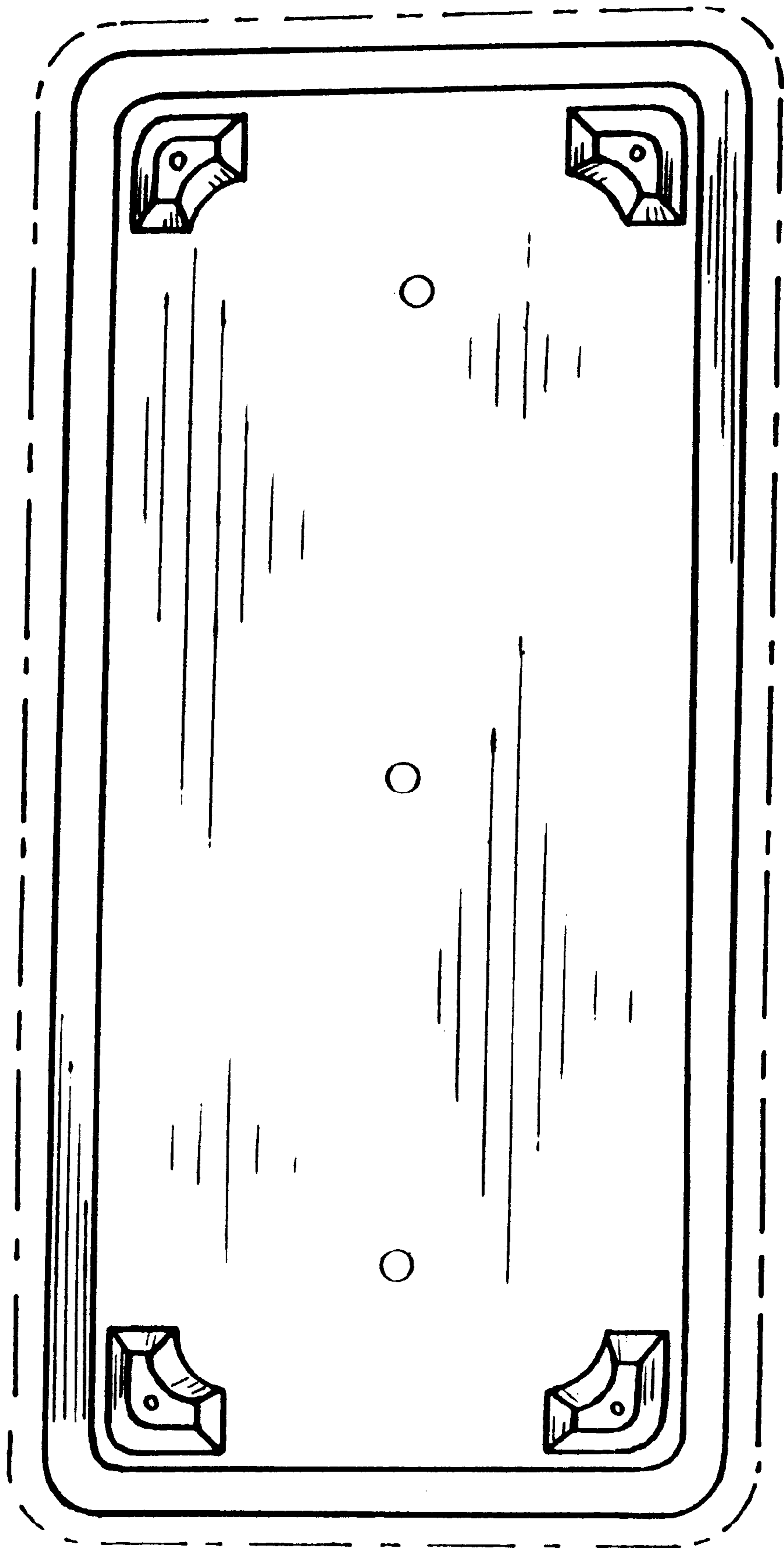


Fig. 5

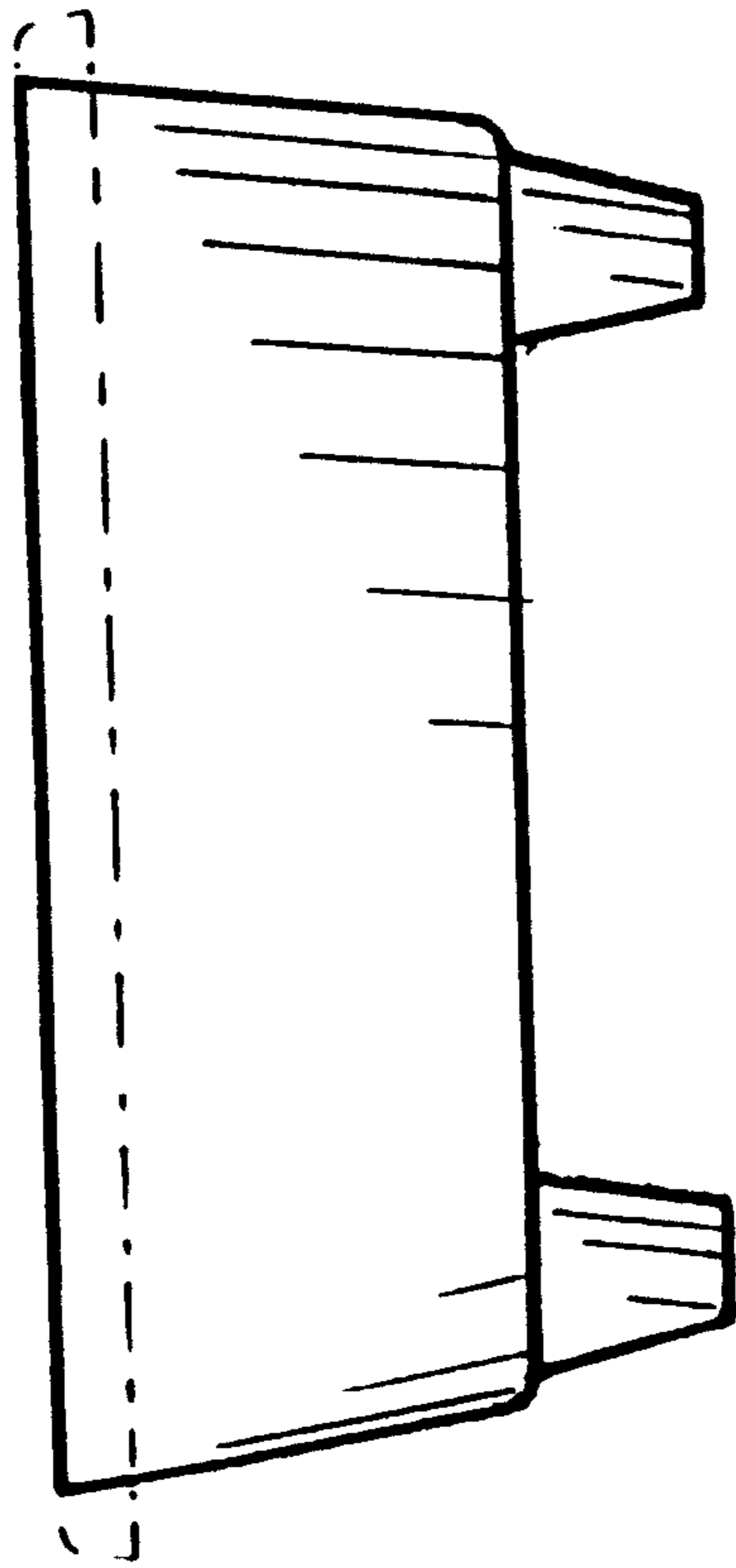


Fig. 6

