



US00D468662S

(12) **United States Design Patent**  
**Fan**

(10) **Patent No.:** **US D468,662 S**

(45) **Date of Patent:** **\*\* Jan. 14, 2003**

(54) **DECORATIVE SELF-WATERING POT**

(76) Inventor: **Jianhua Fan**, 5800 Maudina Ave. #C2,  
Nashville, TN (US) 37209

(\*\*) Term: **14 Years**

(21) Appl. No.: **29/148,563**

(22) Filed: **Sep. 21, 2001**

(51) **LOC (7) Cl.** ..... **11-02**

(52) **U.S. Cl.** ..... **D11/152**

(58) **Field of Search** ..... D11/143, 144,  
D11/145, 148, 152, 153, 154; D7/700;  
47/41.01, 65.5, 66.2, 66.6, 67, 68, 70, 71,  
79; 206/423; 248/27.8

(56) **References Cited**

**U.S. PATENT DOCUMENTS**

D147,737 S	*	10/1947	Stone	.....	D7/700
D242,161 S	*	11/1976	Bartlett, III	.....	D11/152
D243,031 S		1/1977	Anderson		
4,047,329 A		9/1977	Holt		
D250,401 S	*	11/1978	O'Shea et al.	.....	D11/152
4,315,382 A	*	2/1982	Kay et al.	.....	47/71
D271,035 S	*	10/1983	Pomerenke	.....	D11/152
D298,222 S		10/1988	Hobson		
D313,203 S		12/1990	Carlson		
D352,480 S	*	11/1994	Carlson	.....	D11/153
D384,907 S	*	10/1997	Moskowitz	.....	D11/152
5,870,855 A		2/1999	Hougaard		
D436,887 S		1/2001	Fan		

\* cited by examiner

*Primary Examiner*—Doris V. Coles

*Assistant Examiner*—Mimosa De

(57) **CLAIM**

The ornamental design for a decorative self-watering pot, as shown and described.

**DESCRIPTION**

FIG. 1 is an exploded perspective view of a decorative self-watering pot showing my new design;

FIG. 2 is a top plan view of the upper part of FIG. 1;

FIG. 3 is a bottom plan view of the upper part of FIG. 1;

FIG. 4 is a side elevational view of the upper part of FIG. 1 it being understood that the opposite side is a mirror image thereof;

FIG. 5 is a top plan view of the lower part of FIG. 1;

FIG. 6 is a bottom plan view of the lower part of FIG. 1;

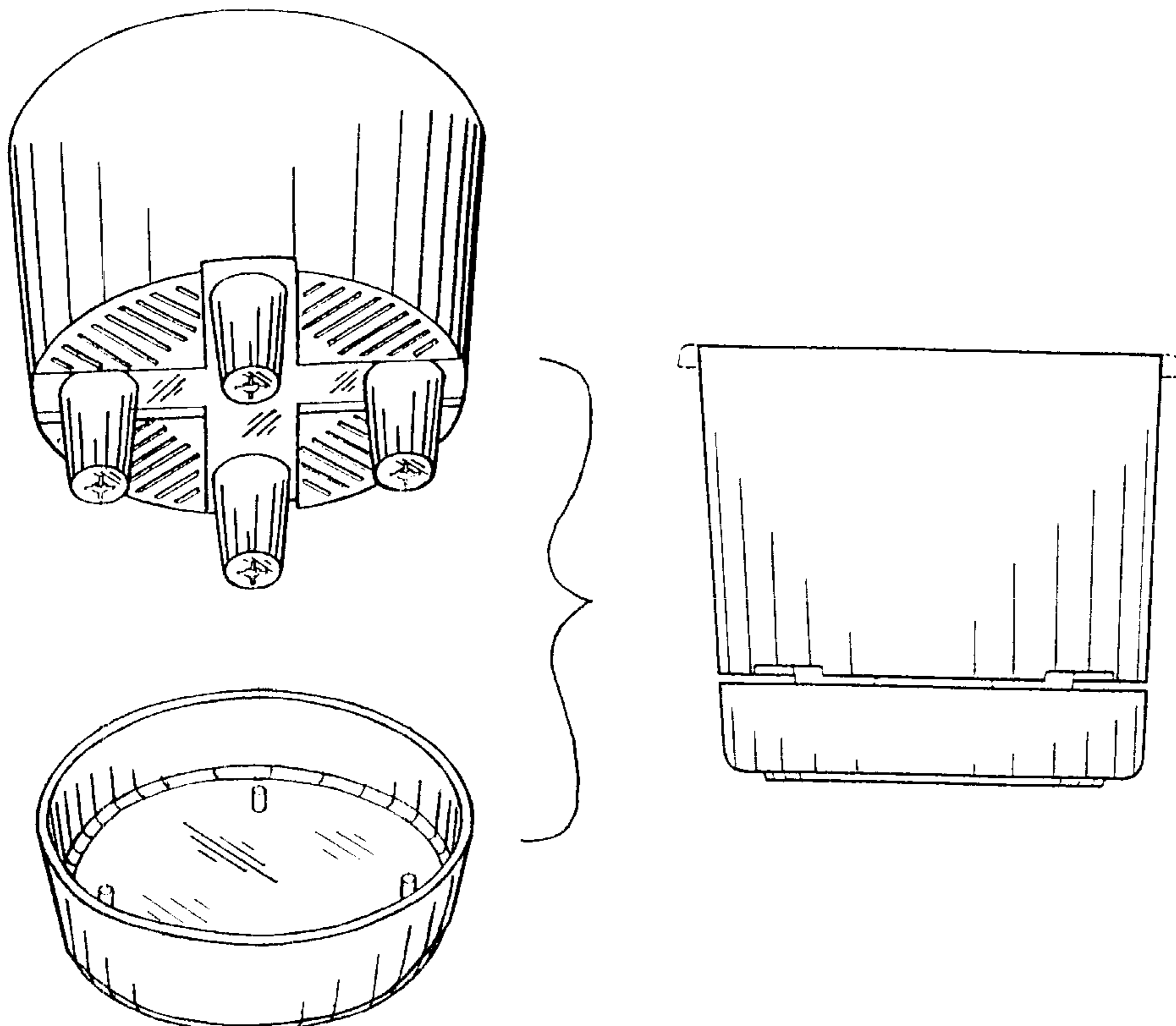
FIG. 7 is a side elevational view of the lower part of FIG. 1 it being understood that the opposite side is a mirror image thereof;

FIG. 8 is a side elevational view of the upper and lower parts of the decorative self-watering pot in assembled condition it being understood that the opposite side is a mirror image thereof; and,

FIG. 9 is a bottom plan view of FIG. 8.

The broken line showing of environmental structure is for illustrative purposes only and forms no part of the claimed design.

**1 Claim, 5 Drawing Sheets**



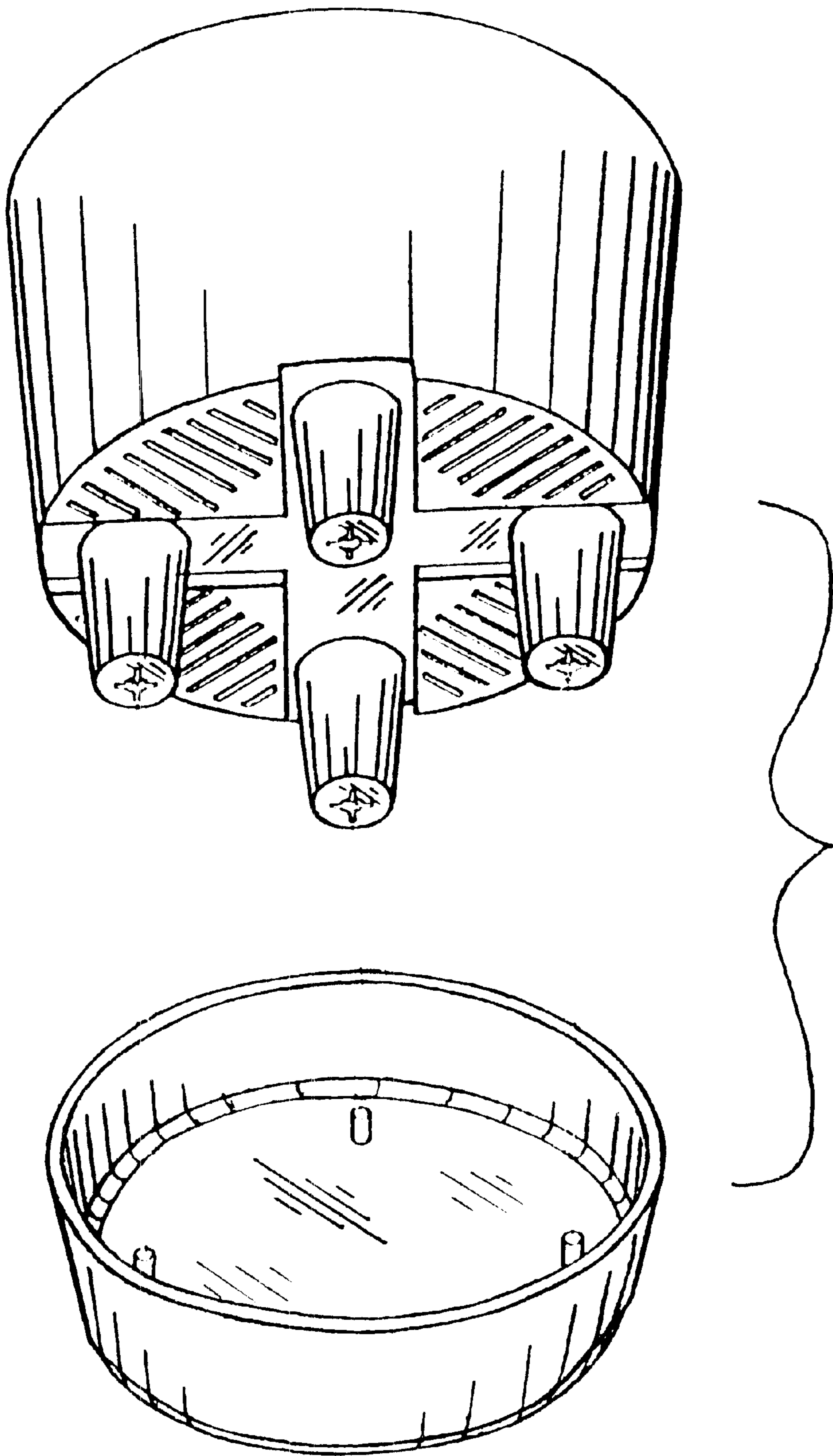


Fig. 1

Fig. 3

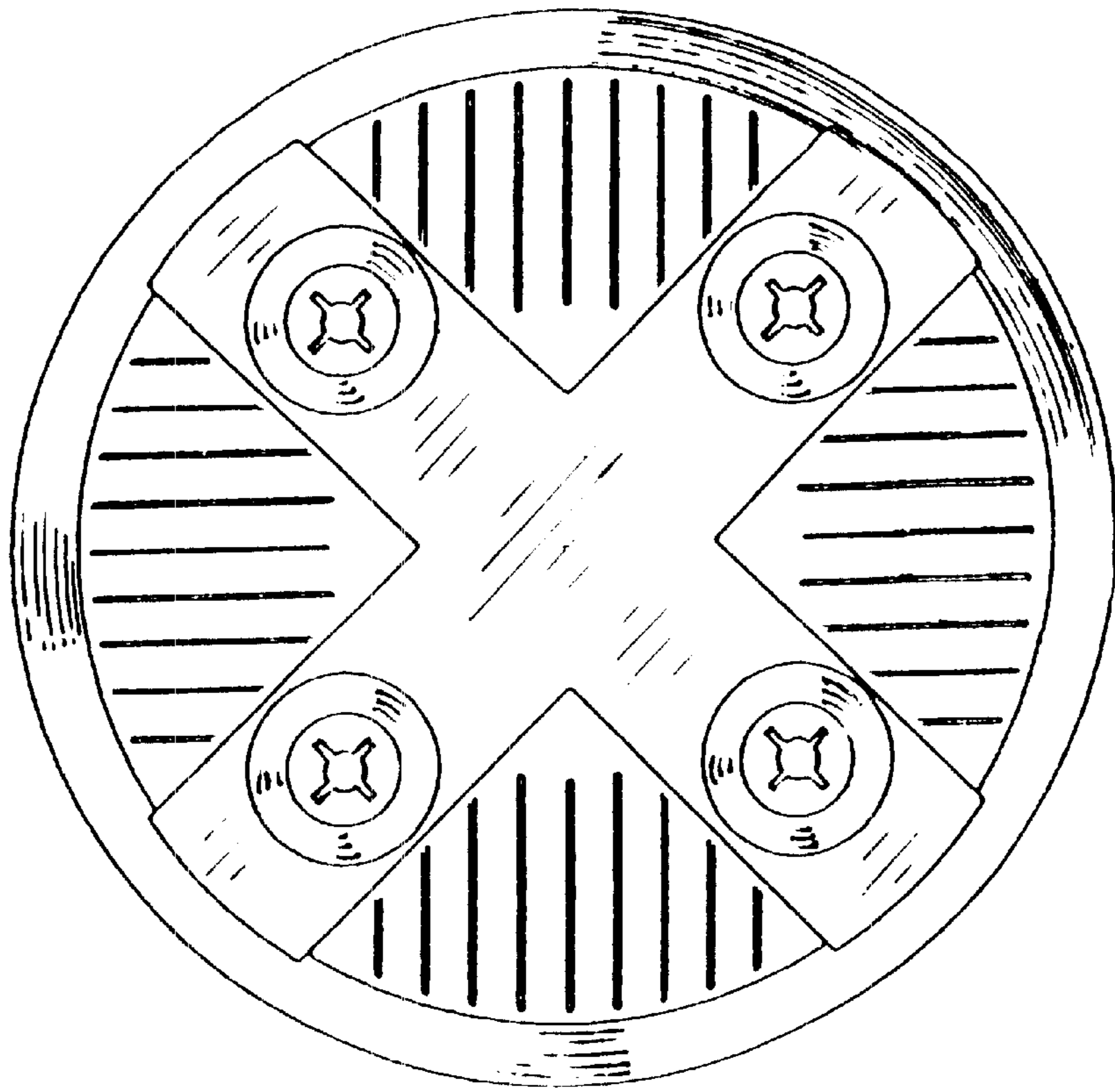


Fig. 2

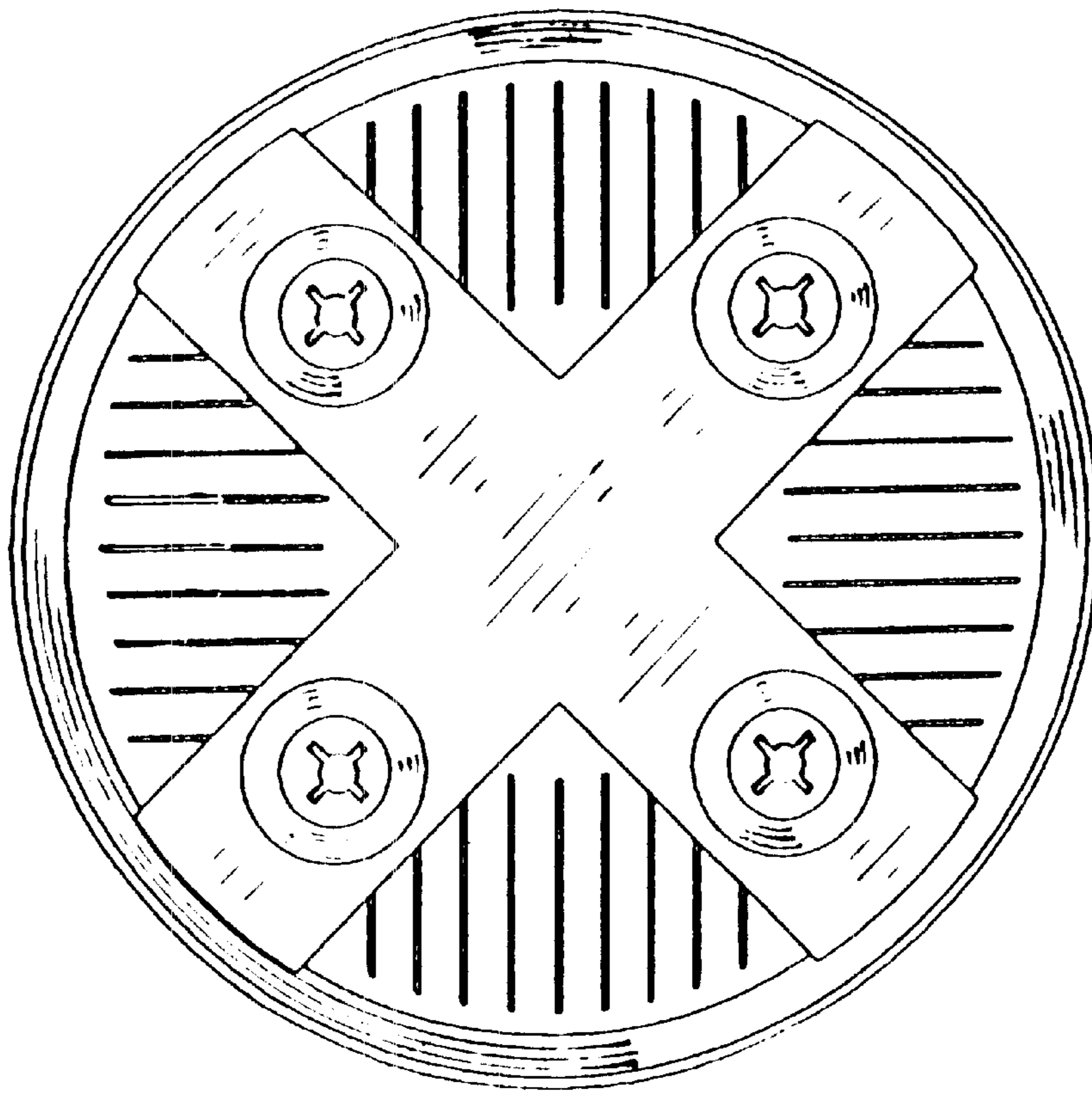


Fig. 5

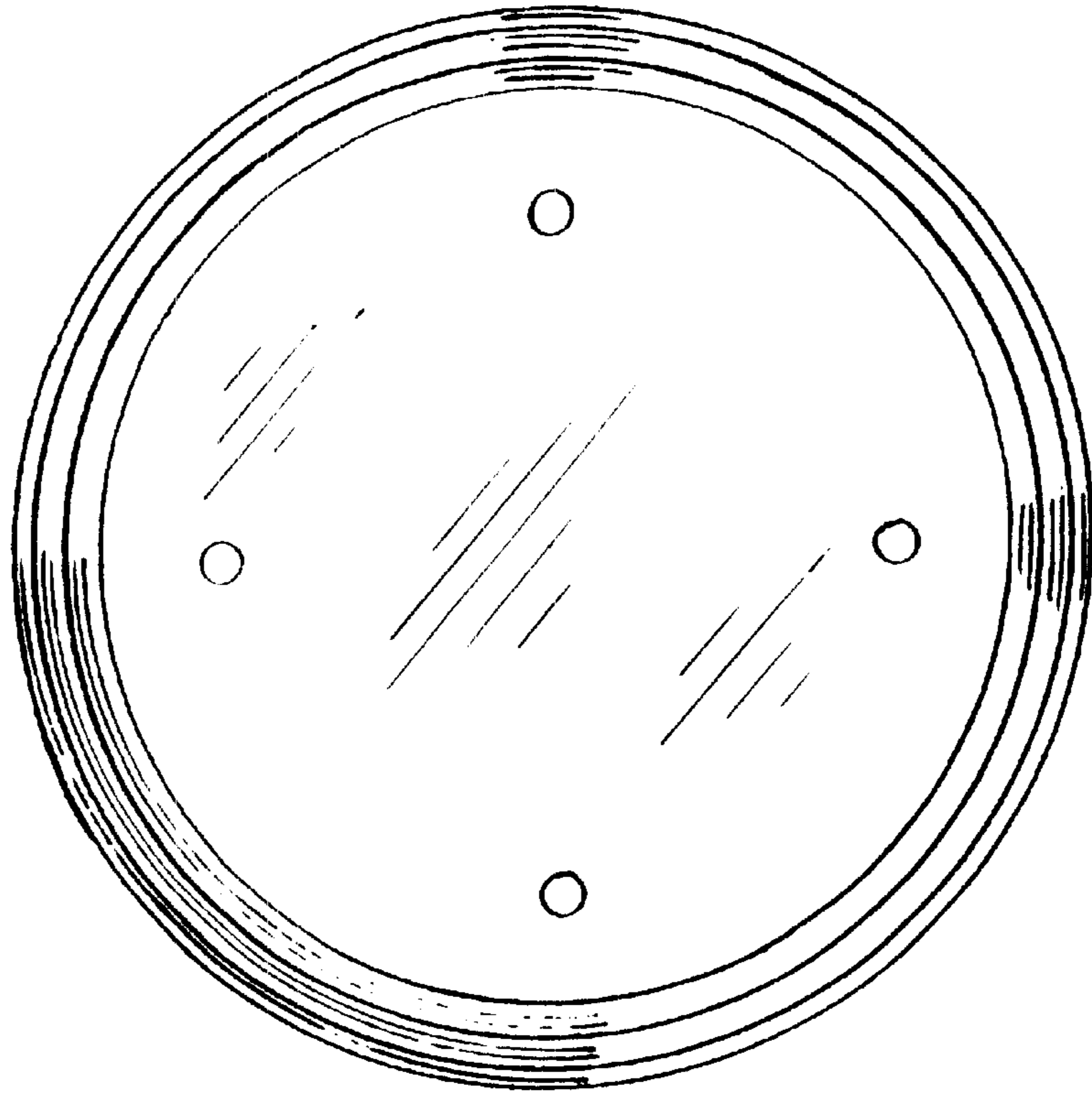


Fig. 4

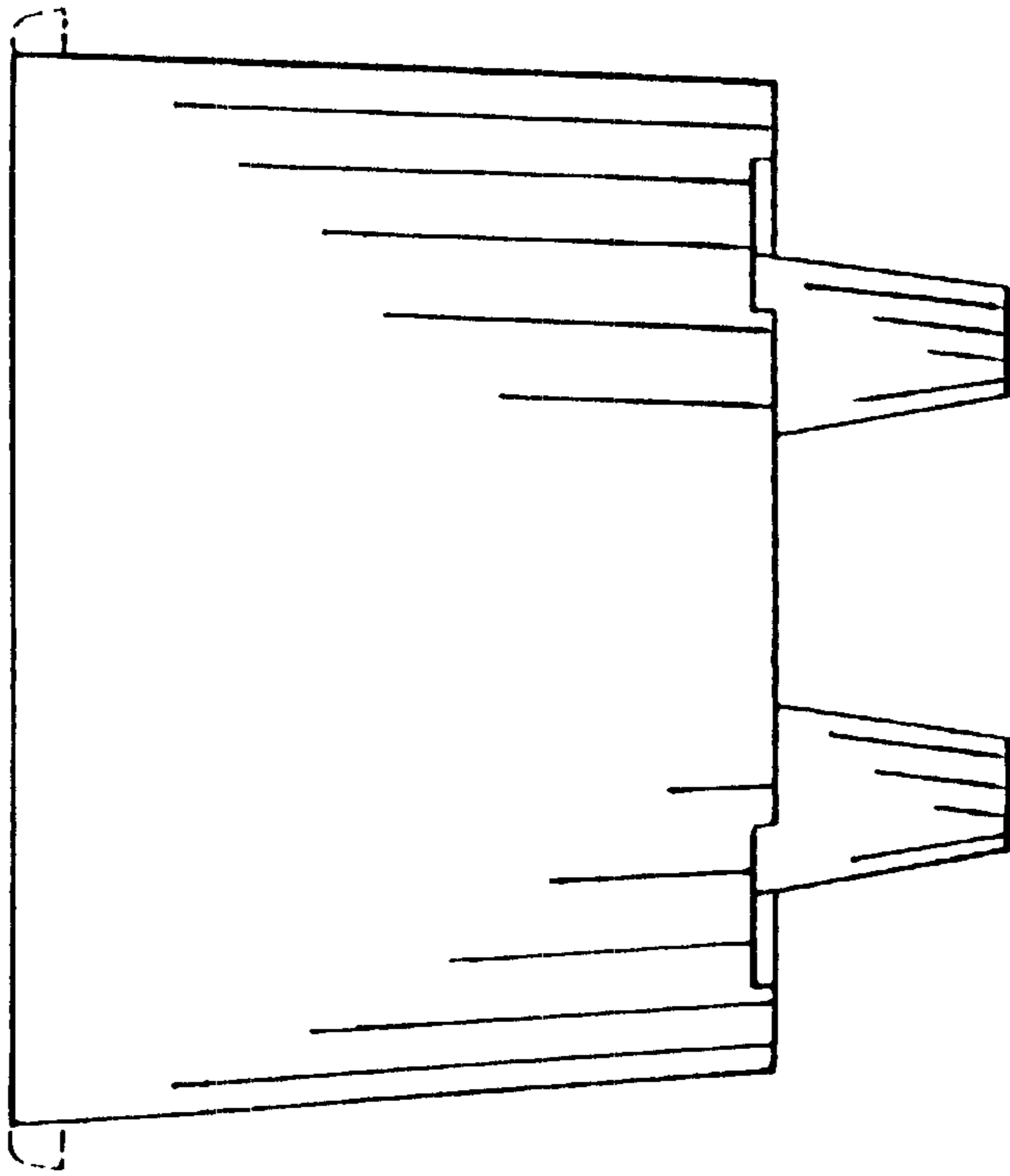


Fig.6

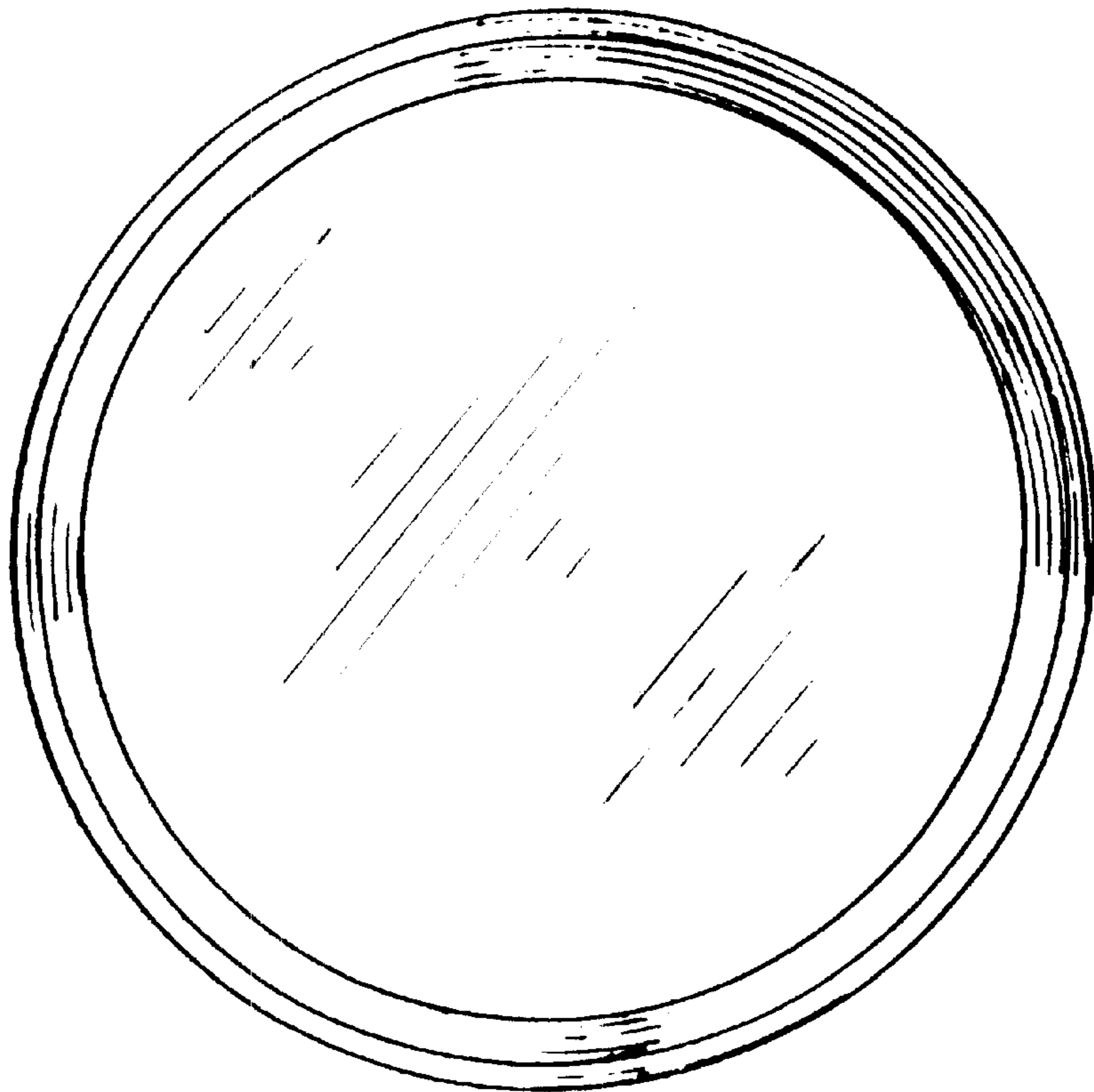


Fig. 7

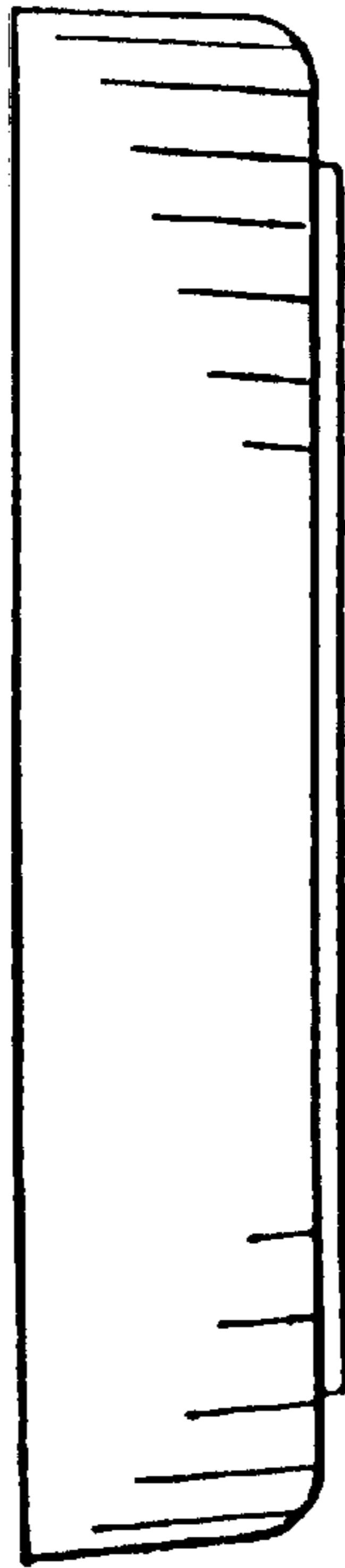


Fig. 9

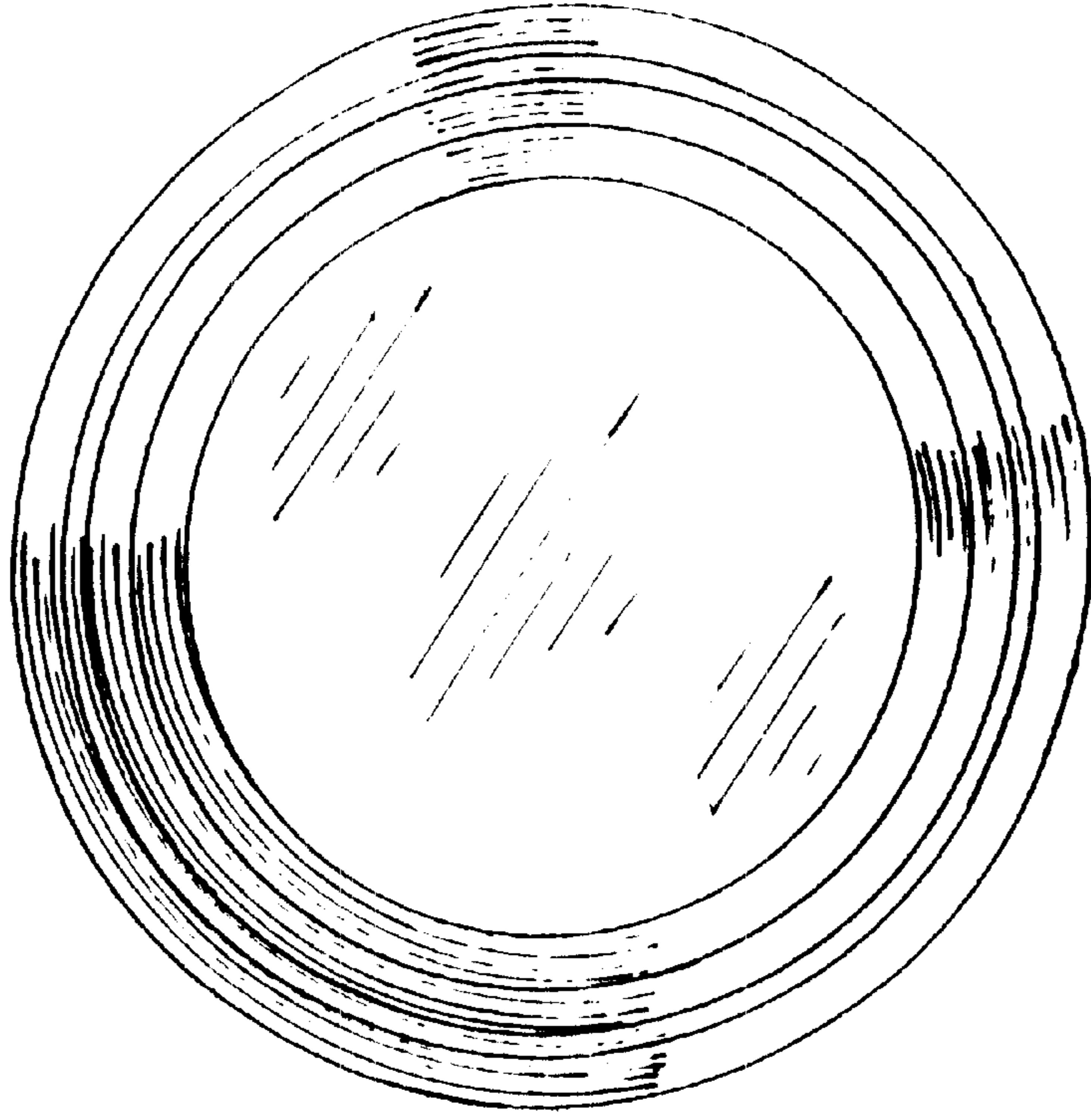


Fig. 8

