



US00D468661S

(12) **United States Design Patent**
Dear

(10) **Patent No.:** **US D468,661 S**
(45) **Date of Patent:** **** Jan. 14, 2003**

(54) **SOLAR POWERED RAINBOW MAKING DEVICE**

(76) **Inventor:** **David Dear**, 283 Avenue C, Apt. 7H,
New York, NY (US) 10009

(**) **Term:** **14 Years**

(21) **Appl. No.:** **29/138,425**

(22) **Filed:** **Mar. 13, 2001**

(51) **LOC (7) Cl.** **11-02**

(52) **U.S. Cl.** **D11/131**

(58) **Field of Search** D11/117, 121,
D11/131; 428/7, 28

(56) **References Cited**

U.S. PATENT DOCUMENTS

D261,373 S * 10/1981 Fisher D11/131
D275,269 S * 8/1984 Sun D11/131

D277,269 S * 1/1985 Williams D11/121
5,718,962 A * 2/1998 Walling 428/7 X
D428,826 S * 8/2000 Howard D11/131
D441,689 S * 5/2001 Howard D11/131

* cited by examiner

Primary Examiner—Dominic Simone

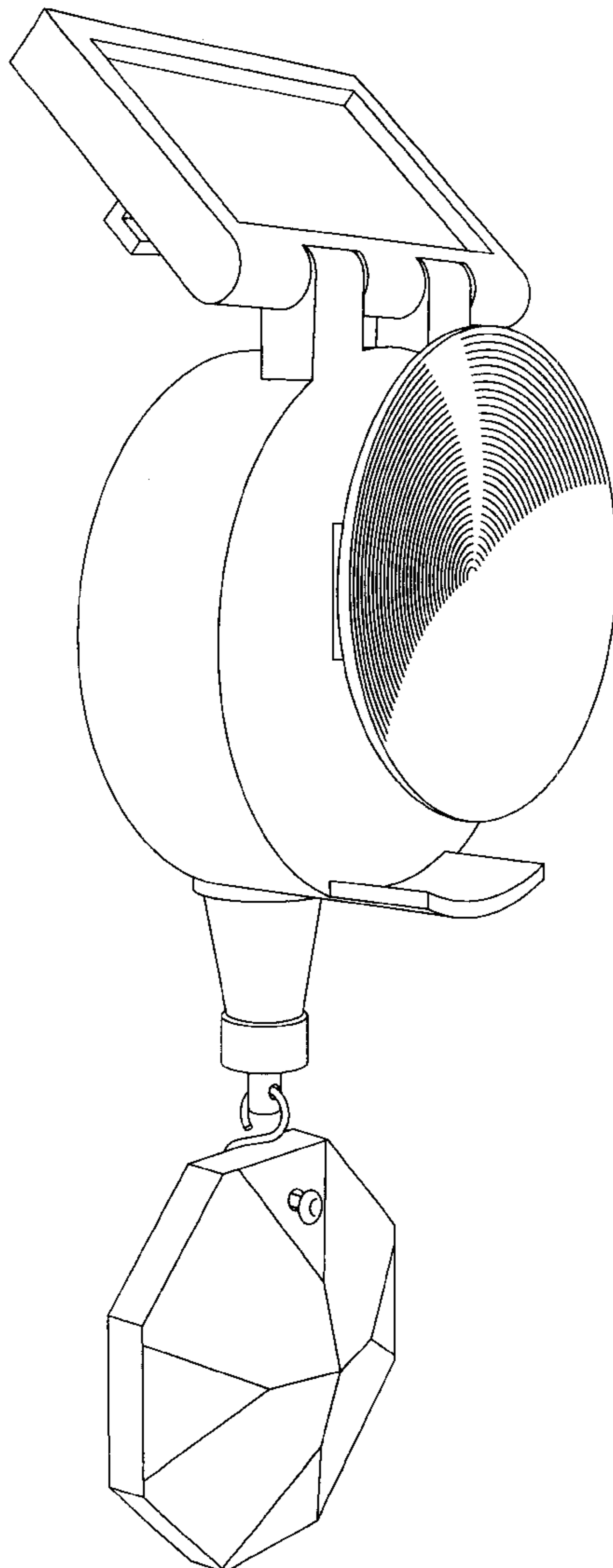
(57) **CLAIM**

The ornamental design for a solar powered rainbow making device, as shown and described.

DESCRIPTION

FIG. 1 is a left, front, top perspective view of a solar powered rainbow making device showing my new design; FIG. 2 is a right, rear, top perspective view thereof; and, FIG. 3 is a right side elevational view thereof, the left side being a mirror image.

1 Claim, 3 Drawing Sheets



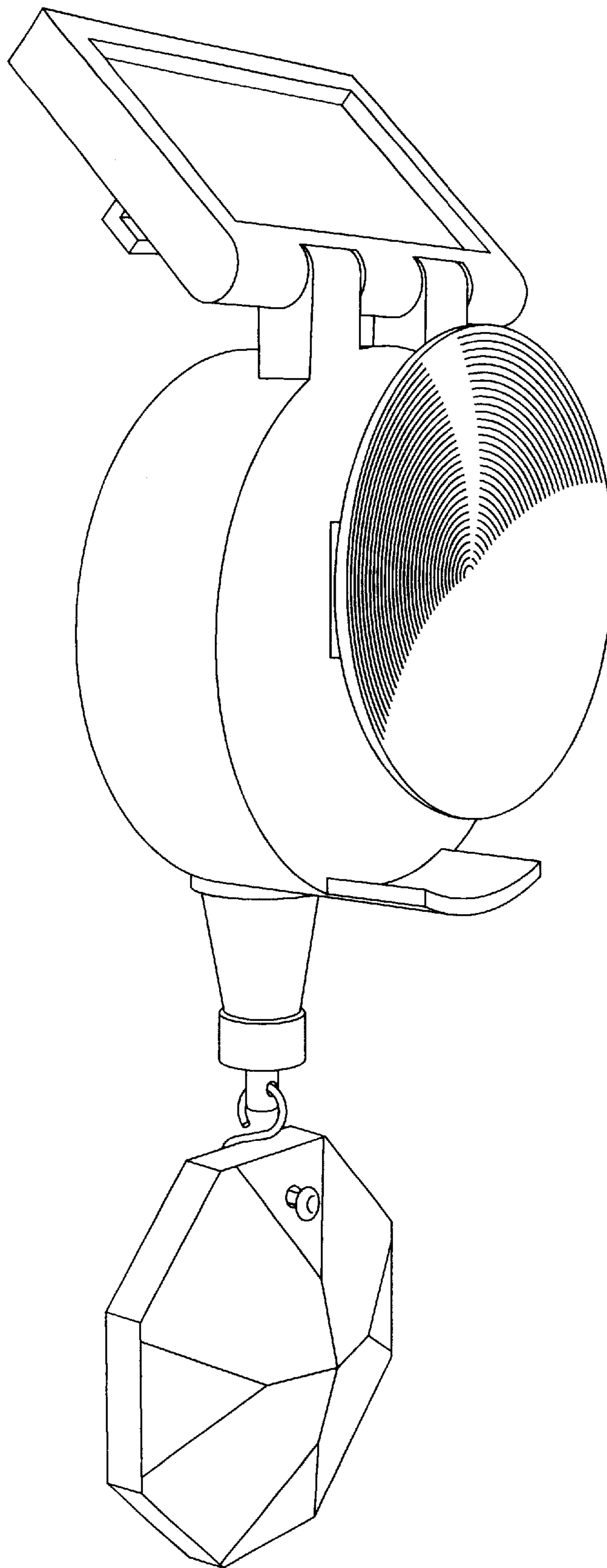


Fig. 1

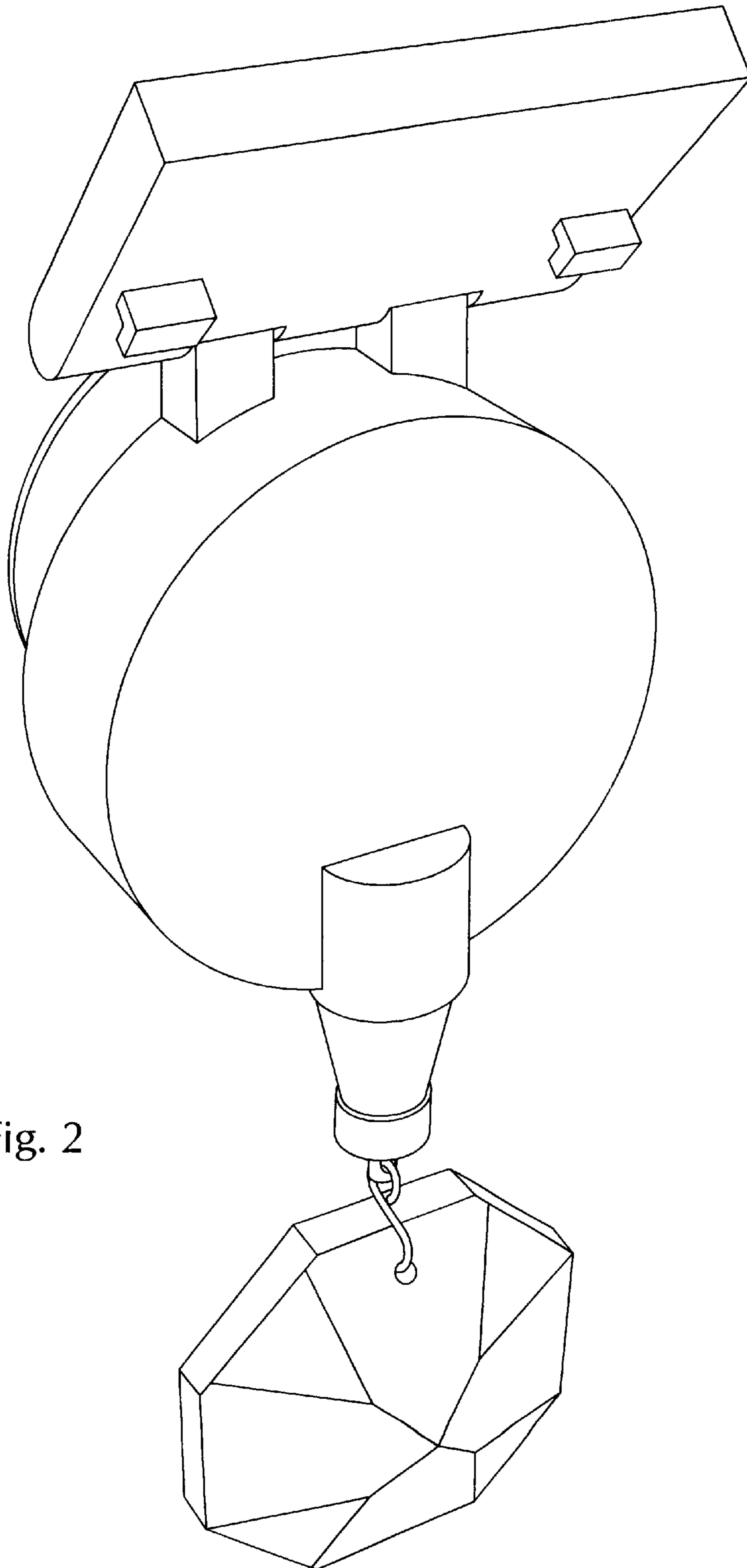


Fig. 2

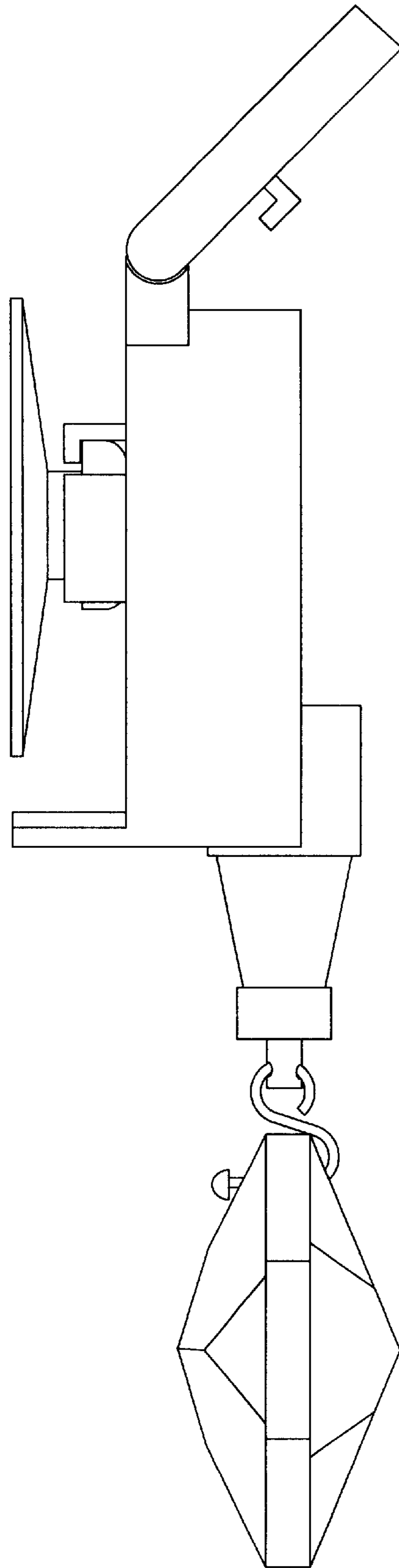


Fig. 3