



US00D468648S

(12) **United States Design Patent**
Starck

(10) **Patent No.:** **US D468,648 S**

(45) **Date of Patent:** **** Jan. 14, 2003**

(54) **WATCH**

(75) **Inventor:** **Patrick Philippe Starck,**
Issy-les-Moulineaux (FR)

(73) **Assignee:** **Fossil, Inc.,** Richardson, TX (US)

(**) **Term:** **14 Years**

(21) **Appl. No.:** **29/155,153**

(22) **Filed:** **Feb. 6, 2002**

(51) **LOC (7) Cl.** **10-02**

(52) **U.S. Cl.** **D10/38**

(58) **Field of Search** D10/1-40, 122-132;
368/280-282, 276-277, 28-30, 285, 239-242,
82-84, 41-44

(56) **References Cited**

U.S. PATENT DOCUMENTS

D76,445 S	9/1928	Yuen	D10/126
D76,705 S	10/1928	Salinger	D10/126
D105,714 S	8/1937	Rainbault	D10/126
3,911,665 A	10/1975	van Berkum	58/50
D240,605 S	7/1976	Sticker	D10/38
D242,694 S	12/1976	Thompson et al.	D10/126
4,077,032 A	2/1978	Volkman	340/324
4,095,405 A	6/1978	Tanaka	58/4
4,198,810 A	4/1980	Fahrenschon	368/239
D257,963 S	1/1981	Sticker	D10/126
4,320,484 A	3/1982	Burdet	368/239
4,335,453 A	6/1982	Fatton	368/30
4,355,380 A	10/1982	Huguenin et al.	368/71
D266,908 S	* 11/1982	Schwab et al.	D10/39
D266,909 S	* 11/1982	Schwab et al.	D10/39
D266,994 S	* 11/1982	Schwab et al.	D10/39
4,400,092 A	8/1983	Piquet et al.	368/82
4,413,915 A	11/1983	Besson	368/71
4,436,435 A	3/1984	Ushikoshi	368/71
4,733,383 A	3/1988	Waterbury	368/10
4,742,501 A	5/1988	Coster	368/82
D299,316 S	1/1989	Vickery	D10/15
4,879,702 A	11/1989	Gardner	368/282
5,033,035 A	7/1991	Affolter	368/294
D323,298 S	1/1992	Kawashima	D10/39

D327,656 S	7/1992	Sugita et al.	D10/38
5,222,053 A	6/1993	Ohhira	368/73
5,233,574 A	* 8/1993	Walder et al.	368/276
D349,251 S	8/1994	Goto	D10/39
D355,613 S	2/1995	Takani et al.	D10/39
D355,615 S	2/1995	Atagi	D10/39
5,410,520 A	4/1995	Stampfer	368/240
5,422,864 A	6/1995	Lorello	368/223
D361,529 S	8/1995	Sakai et al.	D10/39
D364,820 S	12/1995	Sakai et al.	D10/39
5,528,559 A	6/1996	Lucas	368/10
5,564,082 A	10/1996	Blonder et al.	455/90
D377,151 S	1/1997	Takeichi	D10/39
D377,314 S	1/1997	Moriai et al.	D10/38
D377,315 S	1/1997	Moriai et al.	D10/38
D378,741 S	4/1997	Fontaine	D10/39
5,663,932 A	9/1997	Weng	368/10
D387,677 S	12/1997	Hanagata	D10/30
D390,799 S	2/1998	Uptegraph	D10/126
5,748,568 A	5/1998	Harrison	368/82
D416,499 S	11/1999	Bland et al.	D10/39

(List continued on next page.)

Primary Examiner—Nelson C Holtje

(74) *Attorney, Agent, or Firm*—Locke Liddell & Sapp LLP

(57) **CLAIM**

The ornamental design for “watch”, as shown and described.

DESCRIPTION

FIG. 1 is a front perspective view of a watch showing my new design;

FIG. 2 is a front elevational view thereof;

FIG. 3 is a left side plan view thereof, the right side being identical thereto;

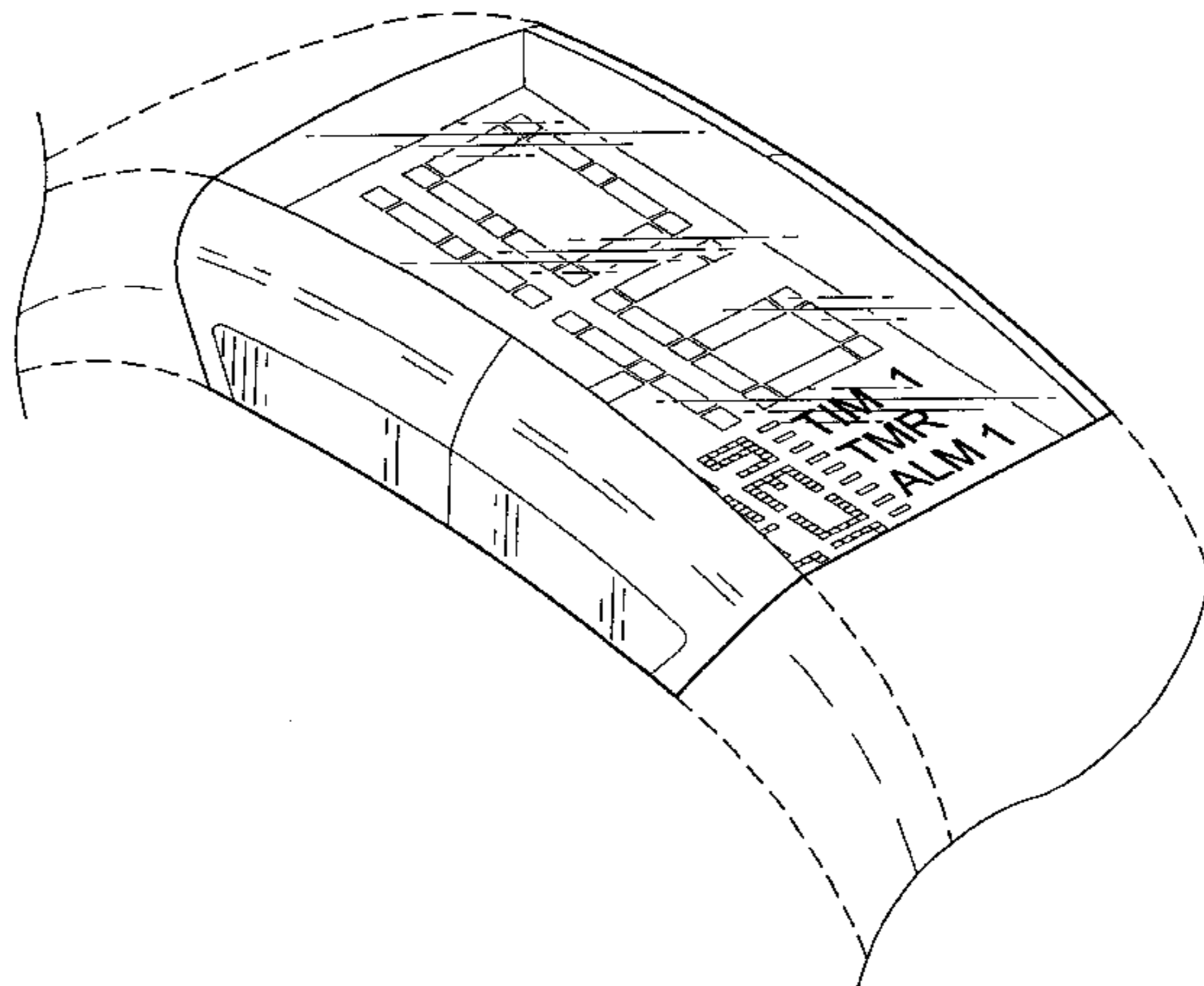
FIG. 4 is a top plan view thereof, the bottom being identical thereto;

FIG. 5 is a rear elevational view thereof; and,

FIG. 6 is a front view of the digits displayed by my invention and that are claimed herein, the watch case has been omitted for ease of illustration.

The broken line showings of a band are environmental only and form no part of the claimed design.

1 Claim, 3 Drawing Sheets

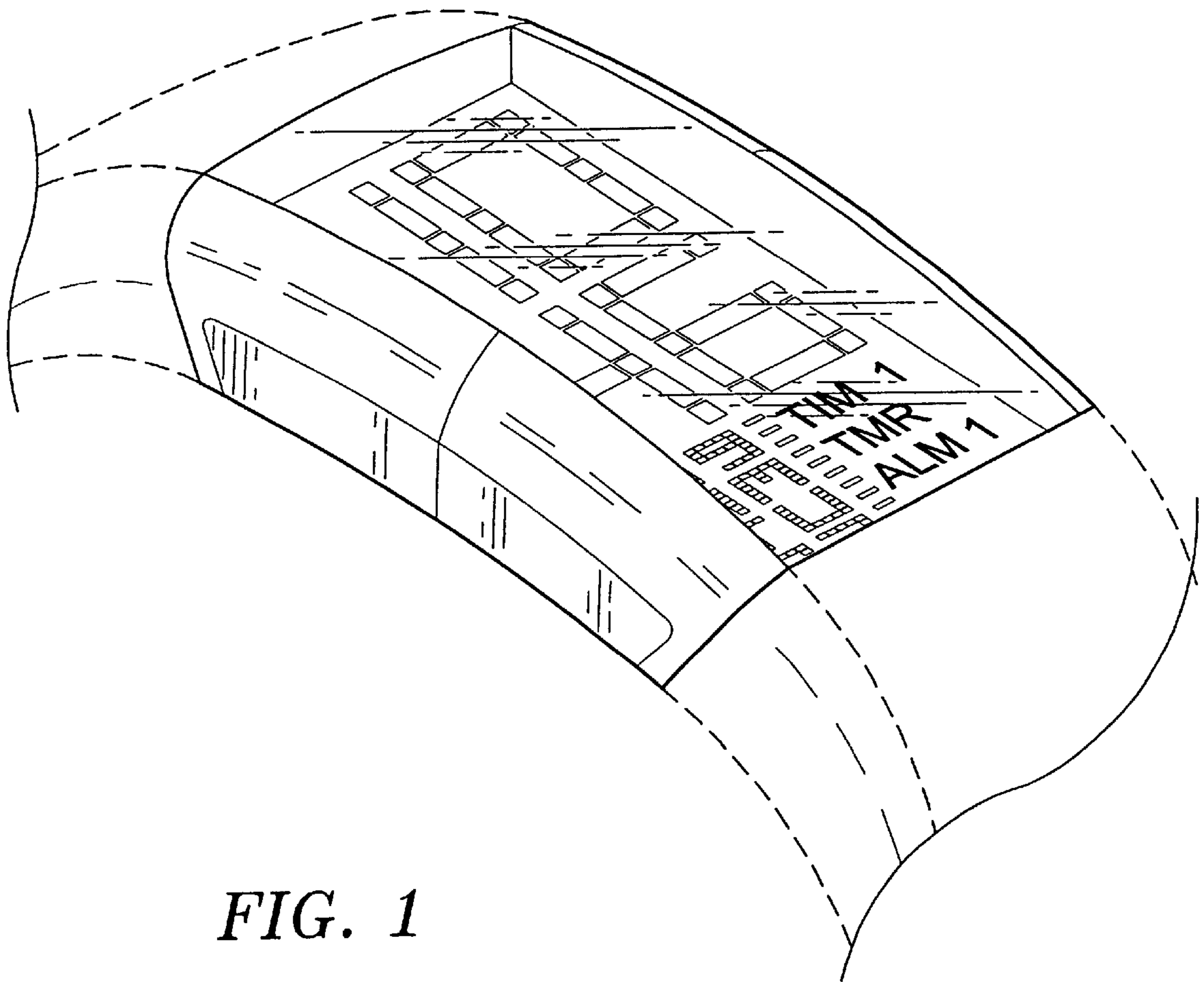


US D468,648 S

Page 2

U.S. PATENT DOCUMENTS			
D417,400 S	12/1999	Yamamoto	D10/30
D427,080 S	6/2000	Hanagata	D10/30
D431,476 S	* 10/2000	Tanaka	D10/32
D433,951 S	11/2000	Bland et al.	D10/39
D435,464 S	12/2000	Bland et al.	D10/39
D455,358 S	* 4/2002	Mauboussin	D10/32

* cited by examiner



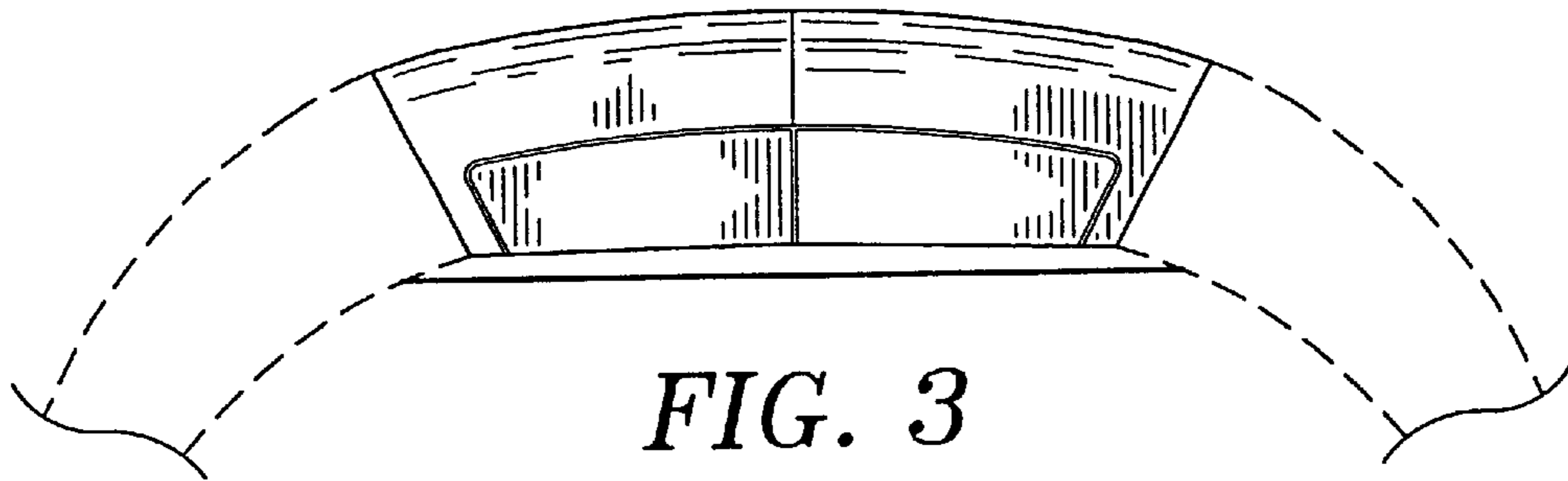


FIG. 3

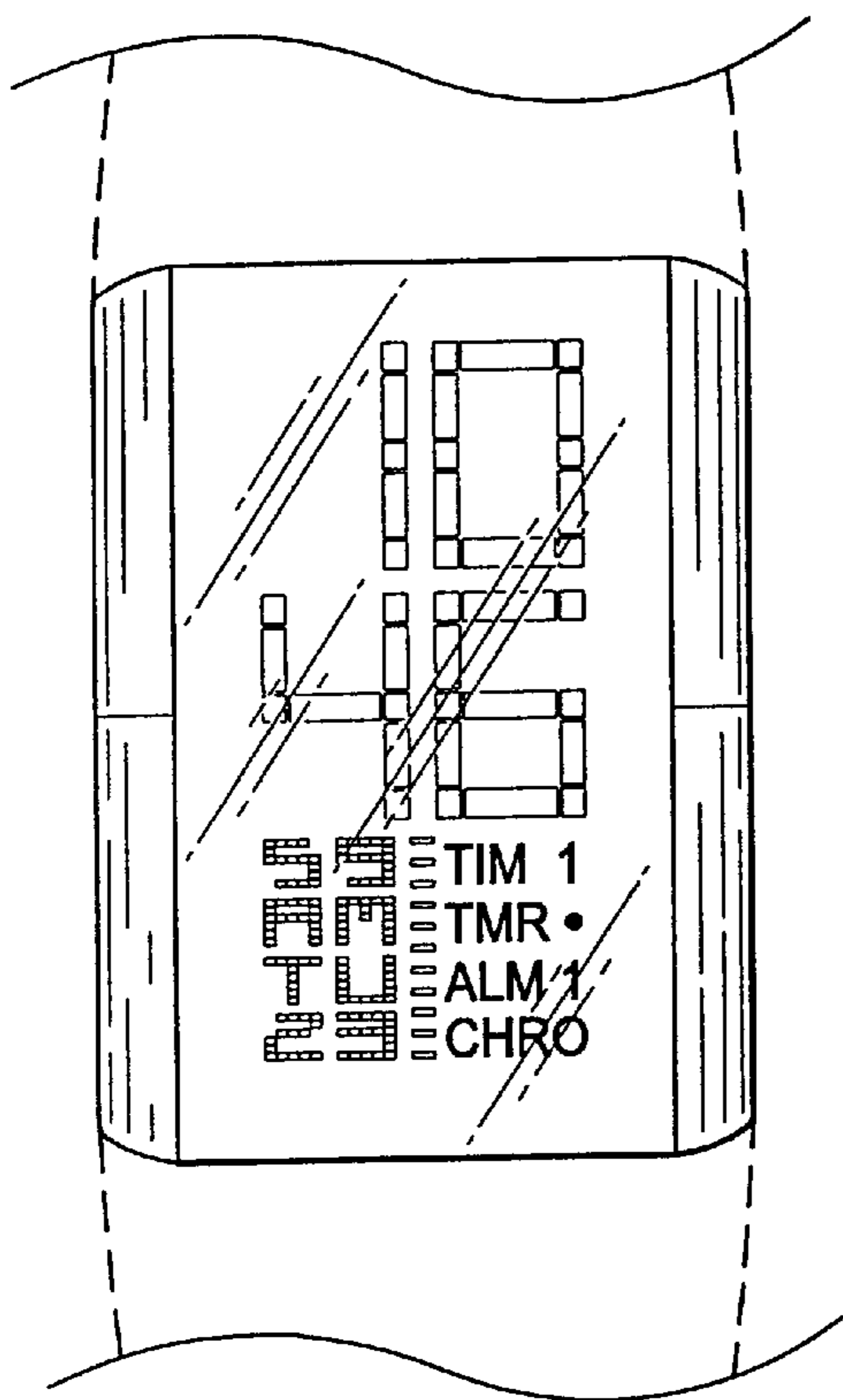


FIG. 2

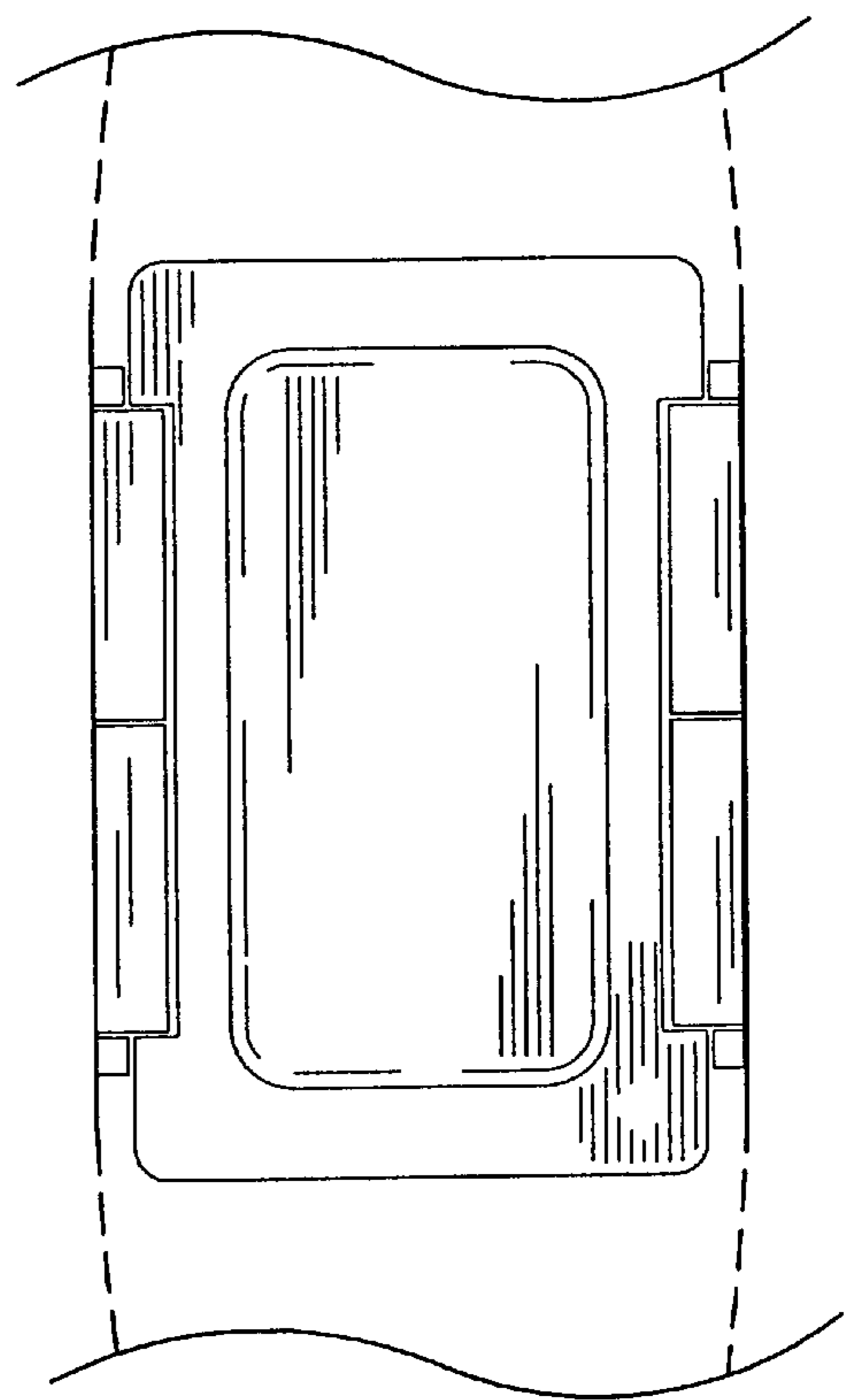


FIG. 5



FIG. 4

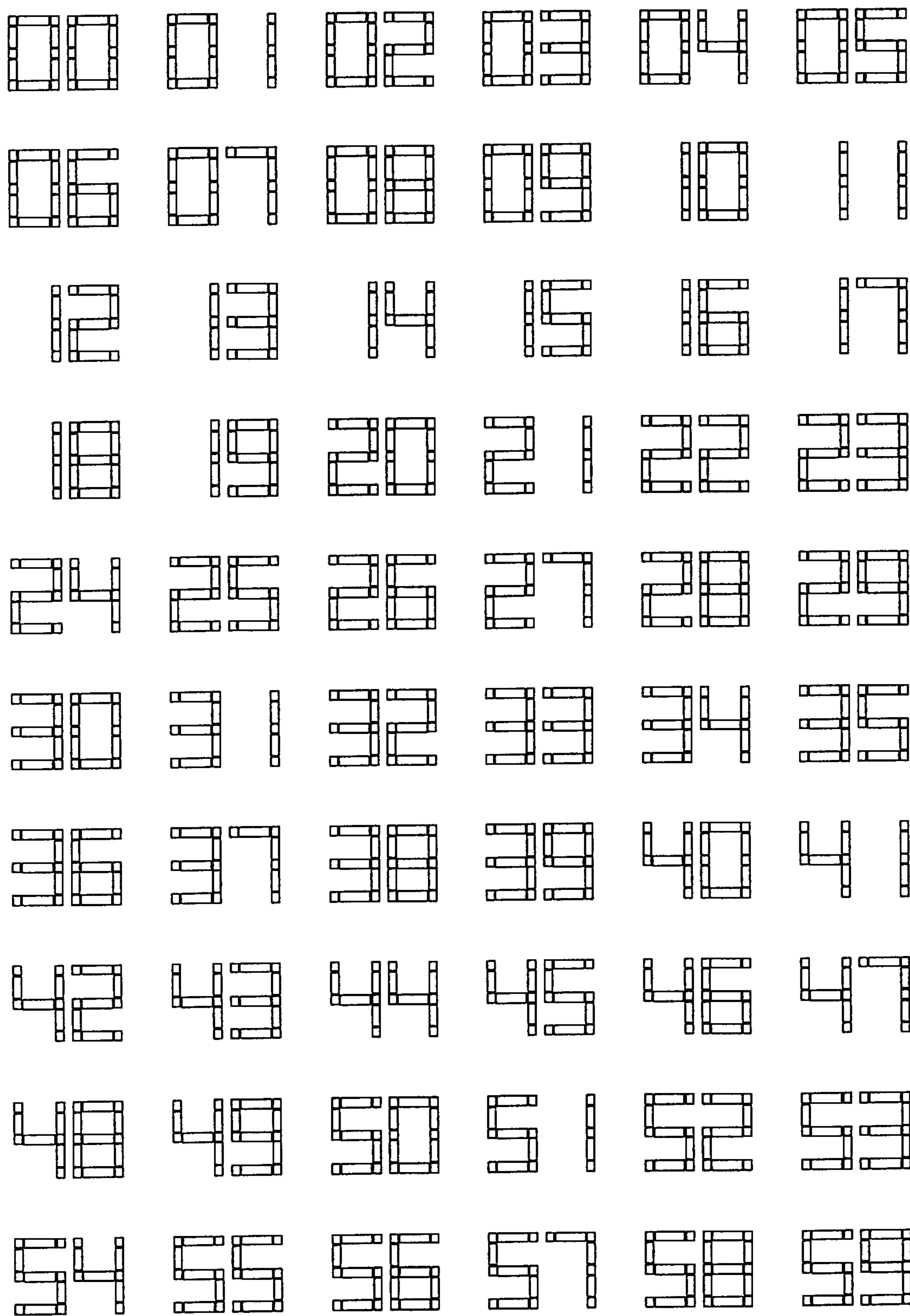


FIG. 6