



US00D468642S

(12) **United States Design Patent**
Poisson et al.

(10) **Patent No.:** **US D468,642 S**
(45) **Date of Patent:** **** Jan. 14, 2003**

(54) **COSMETIC BOTTLE WITH CAP**
(75) Inventors: **Norman D. Poisson**, Glen, NH (US);
Anthony Pannozzo, Brookline, MA (US)
(73) Assignee: **The Gillette Company**, Boston, MA (US)
(**) Term: **14 Years**

D348,221 S * 6/1994 Hirst et al. D9/522
D352,458 S * 11/1994 Gray D9/520
D353,099 S * 12/1994 Poisson D9/542
D360,134 S * 7/1995 Snyder D9/520
D372,872 S * 8/1996 Crawford D9/529
D406,530 S * 3/1999 Bodker et al D9/526
D439,522 S * 3/2001 Blaakman D9/542
D447,059 S * 8/2001 Vette D9/549

* cited by examiner

(21) Appl. No.: **29/165,764**
(22) Filed: **Aug. 16, 2002**

Primary Examiner—Ted Shooman
Assistant Examiner—Carol Rademaker
(74) *Attorney, Agent, or Firm*—Stephan P. Williams

Related U.S. Application Data

(62) Division of application No. 29/148,490, filed on Sep. 20, 2001, now Pat. No. Des. 463,284.
(51) **LOC (7) Cl.** **09-01**
(52) **U.S. Cl.** **D9/522; D9/571; D9/575; D9/338**
(58) **Field of Search** D9/338, 504, 516, D9/520-522, 529-530, 541-543, 549, 556-558, 569-571, 574-575; 215/382-384, 396, 398, 400

(57) **CLAIM**

The ornamental design for a cosmetic bottle with cap, as shown and described.

DESCRIPTION

FIG. 1 is a perspective view as seen from the top, front and right side of a cosmetic bottle with cap showing our new design;
FIG. 2 is a top plan view thereof;
FIG. 3 is a front elevational view thereof;
FIG. 4 is a right side elevational view thereof, the left side elevation being a mirror image thereof; and,
FIG. 5 is a rear elevational view thereof.

(56) **References Cited**
U.S. PATENT DOCUMENTS
D86,033 S * 1/1932 Lalique D9/546

1 Claim, 3 Drawing Sheets

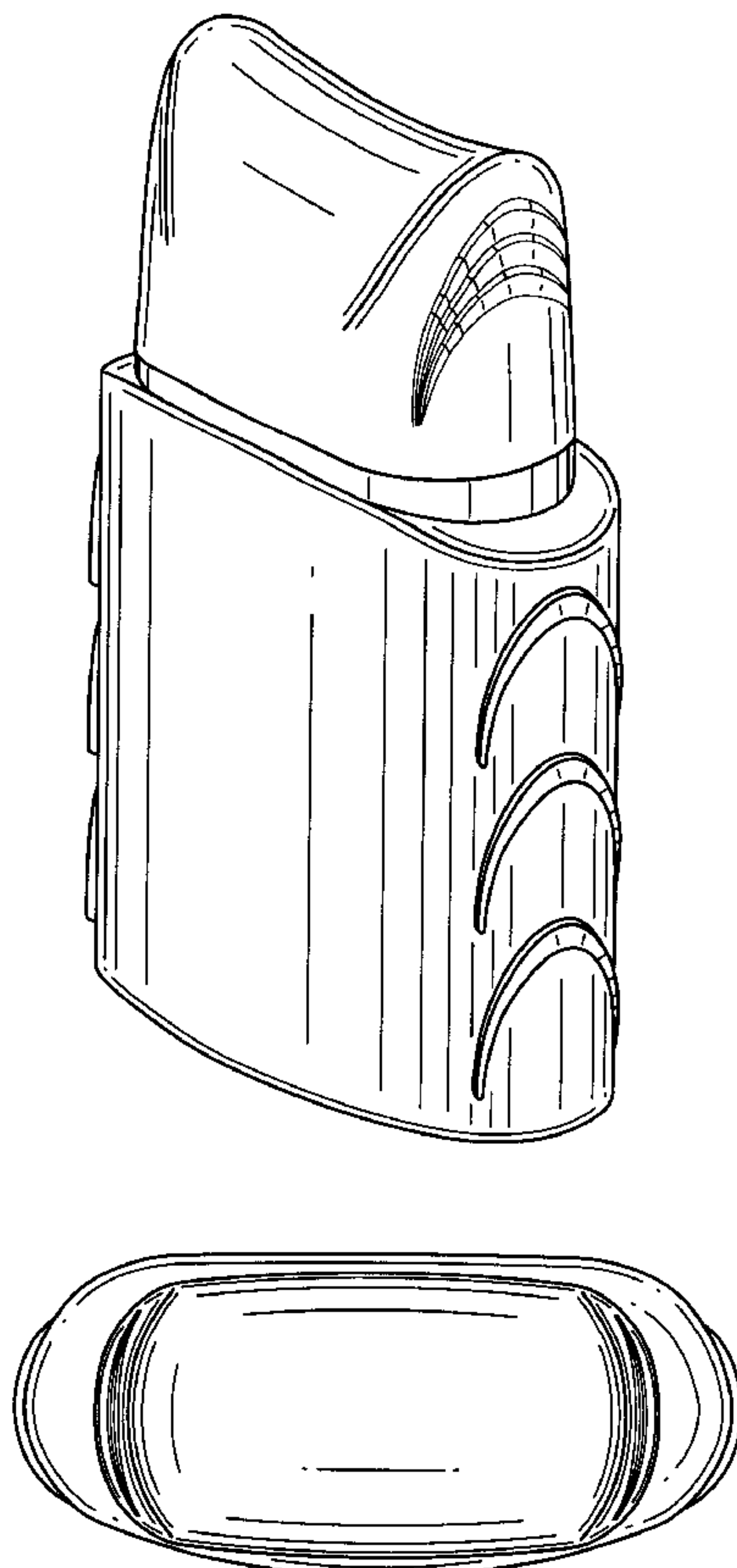


FIG. 1

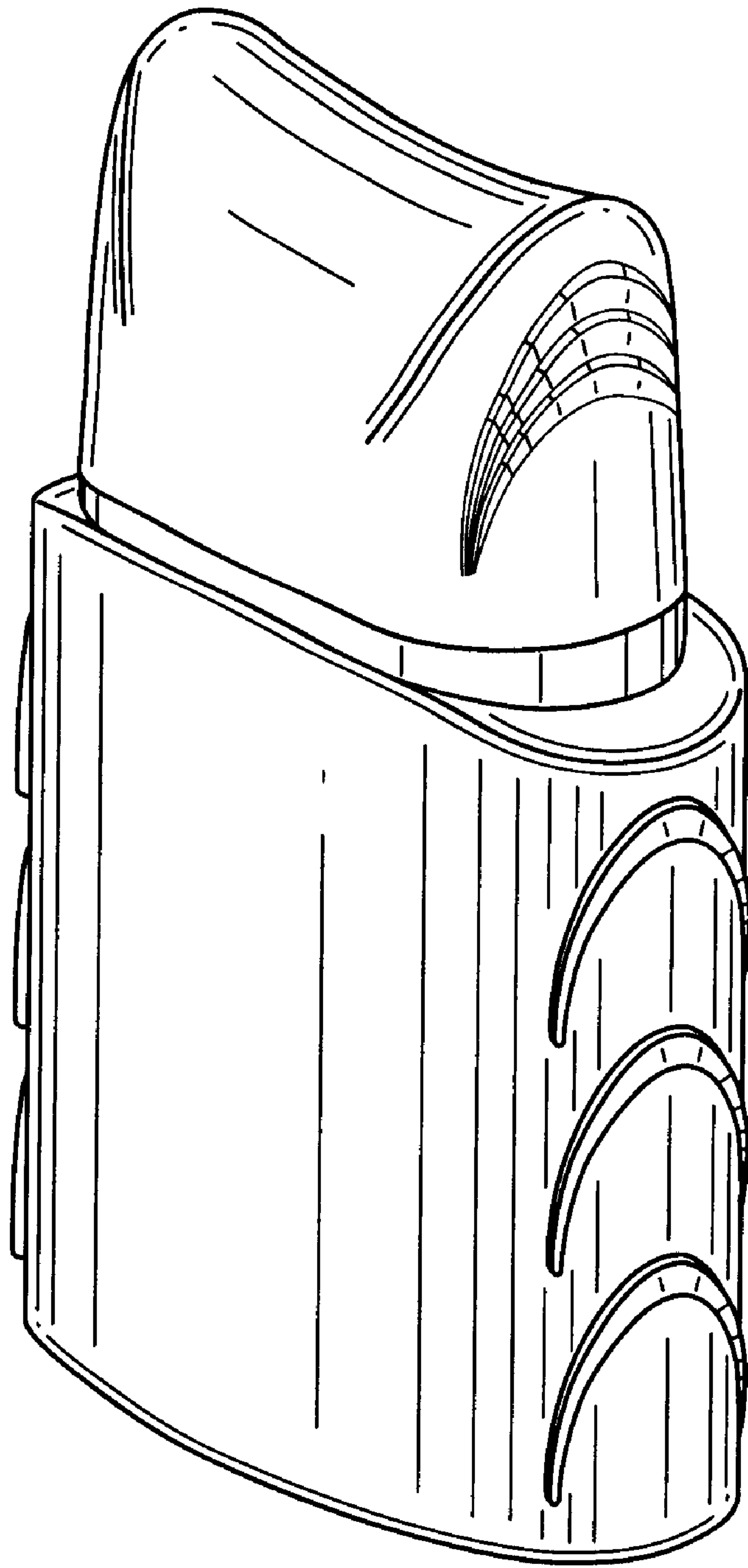


FIG. 2

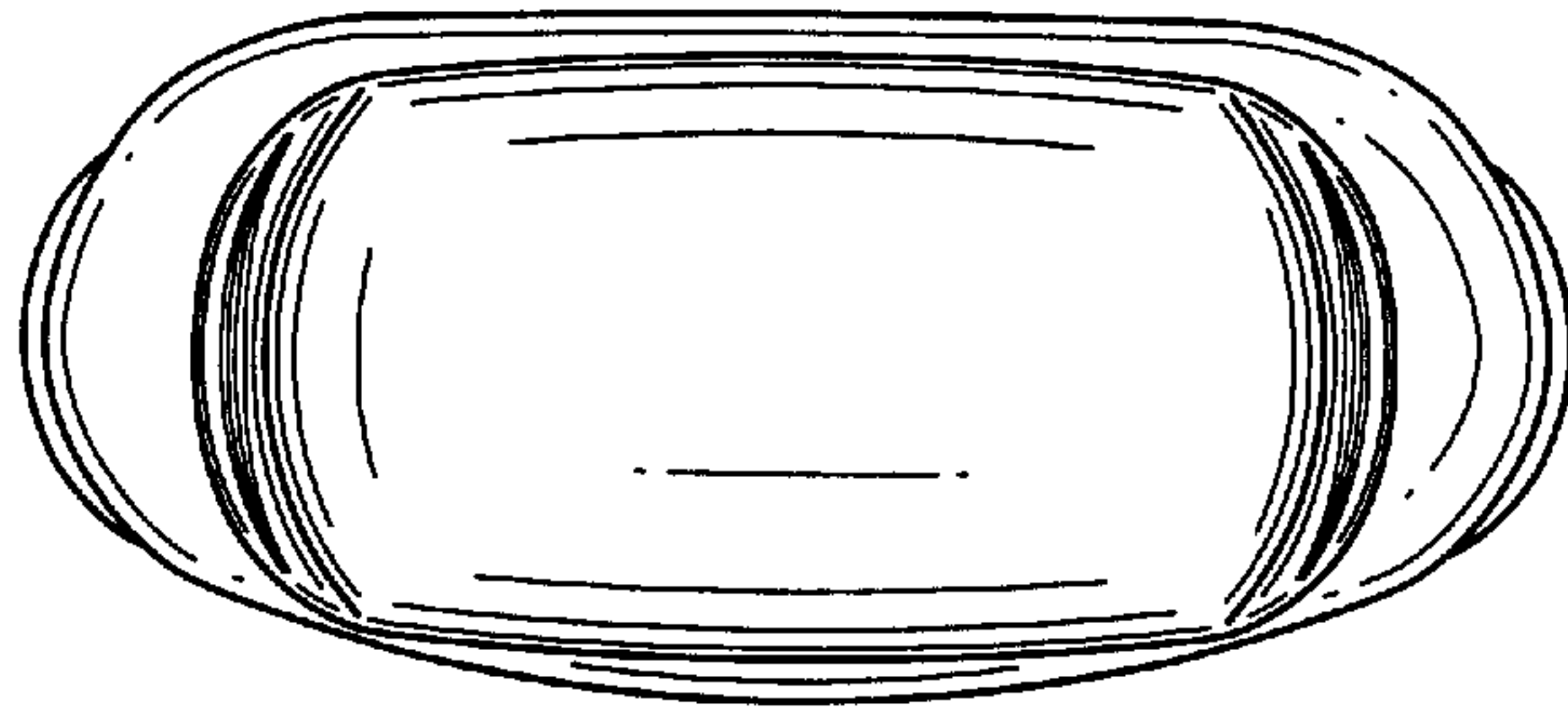


FIG. 3

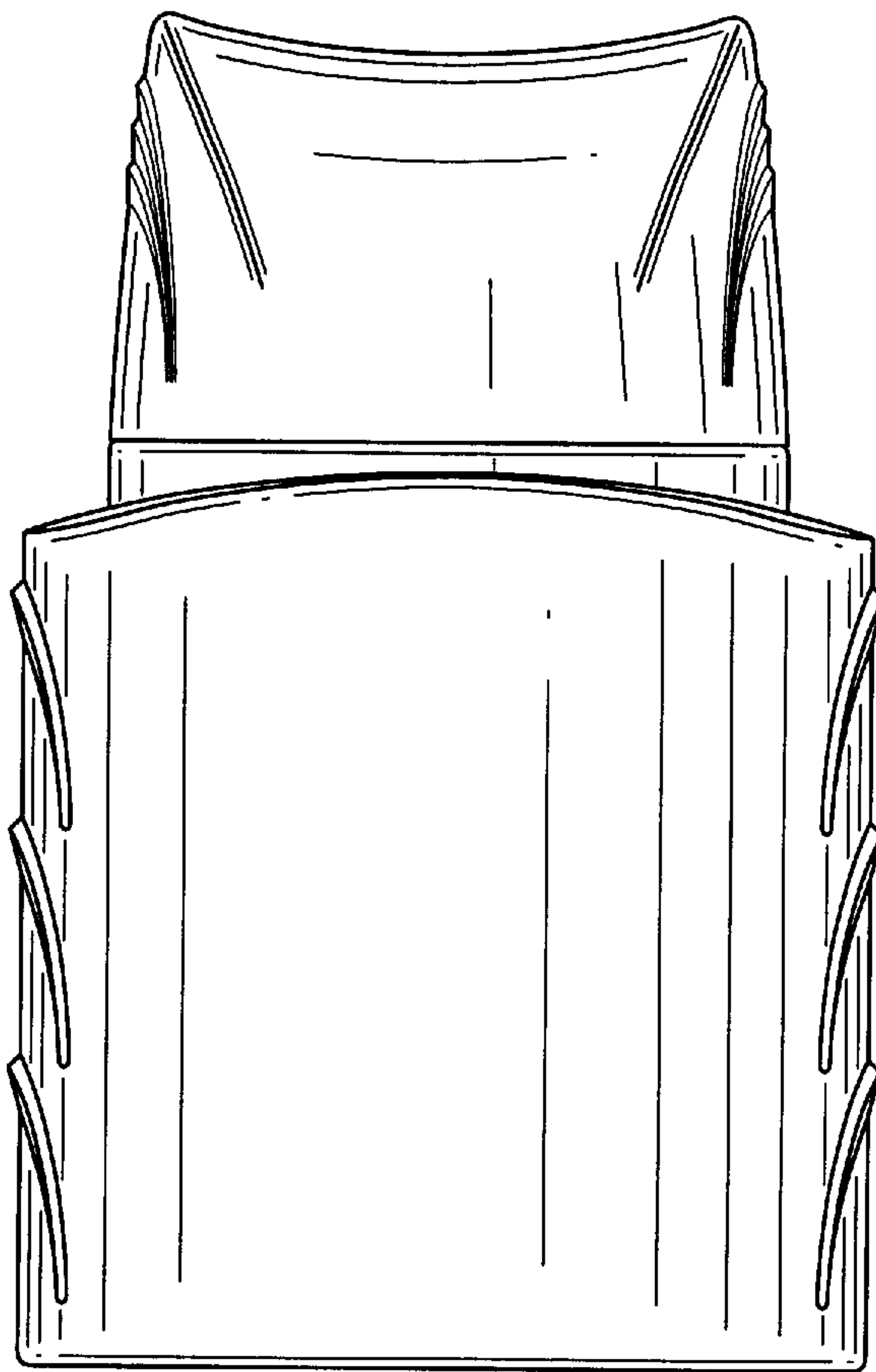


FIG. 4

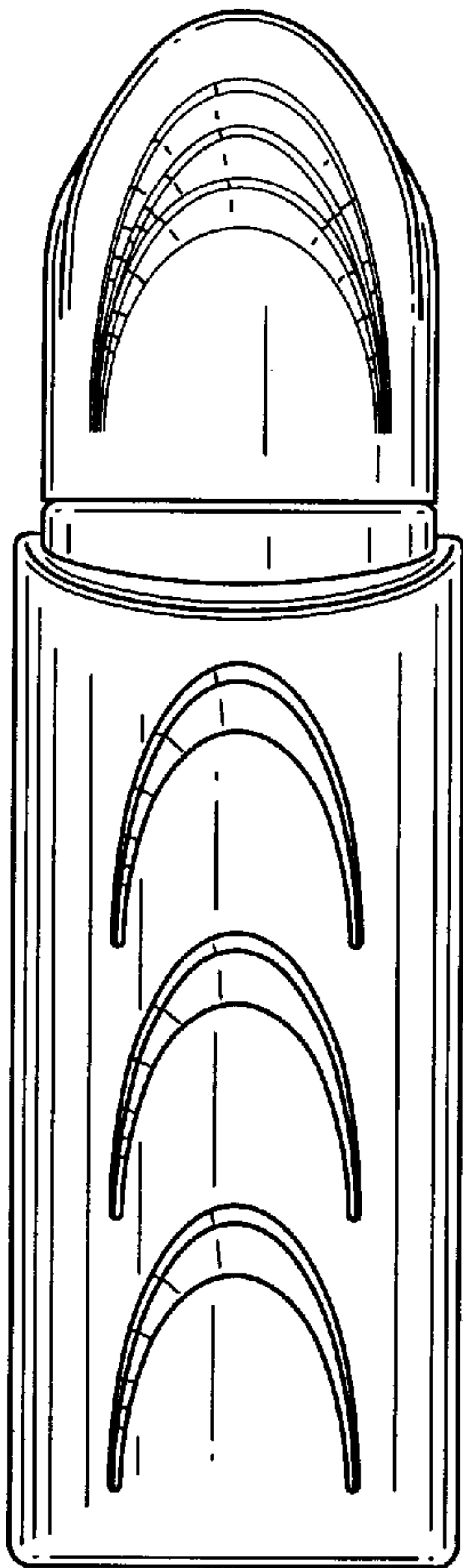


FIG. 5

