



US00D468640S

(12) **United States Design Patent**
Mitchell et al.

(10) **Patent No.:** **US D468,640 S**

(45) **Date of Patent:** **** Jan. 14, 2003**

(54) **CONTAINER OR THE LIKE**

(75) Inventors: **Michael L. Mitchell**, Livermore, CA
(US); **Jorge Robles**, Stockton, CA
(US); **Rose M. Welliver**, Concord, CA
(US); **Stuart M. Leslie**, Larchmont, NY
(US); **Charles Curtiss**, Long Island
City, NY (US)

(73) Assignee: **The Clorox Company**, Oakland, CA
(US)

(**) Term: **14 Years**

(21) Appl. No.: **29/143,220**

(22) Filed: **Jun. 8, 2001**

(51) **LOC (7) Cl.** **09-01**

(52) **U.S. Cl.** **D9/503; D9/549; D9/558**

(58) **Field of Search** D3/202; D6/542;
D7/306; D9/516, 523, 526-528, 531, 537-538,
541, 543, 551, 556-558, 569, 570, 574-575,
500-505, 548; D24/121, 224, 114; D32/25,
30, 45; 215/10, 382-384, 396, 398, 400;
D19/49, 51, 66, 35, 36, 65

(56) **References Cited**

U.S. PATENT DOCUMENTS

D61,669 S * 11/1922 Steinberger D9/557

D172,777 S * 8/1954 Bernabo et al. D9/447
D197,192 S * 12/1963 Lorenzen D9/504
D199,606 S * 11/1964 Waterman D24/115
D241,120 S * 8/1976 Dekker D9/504
D251,203 S * 2/1979 Williamson D24/114
D273,767 S * 5/1984 Weiler D9/520
D296,665 S * 7/1988 Hofer D9/504
D368,425 S * 4/1996 Newell D9/300
D421,496 S * 3/2000 Hellstrom et al. D24/121
D424,115 S * 5/2000 Kuboshima D19/66
D448,077 S * 9/2001 Rudzena et al. D24/121

* cited by examiner

Primary Examiner—Mitchell Siegel

Assistant Examiner—Carol Rademaker

(74) *Attorney, Agent, or Firm*—Joel J. Hayashida

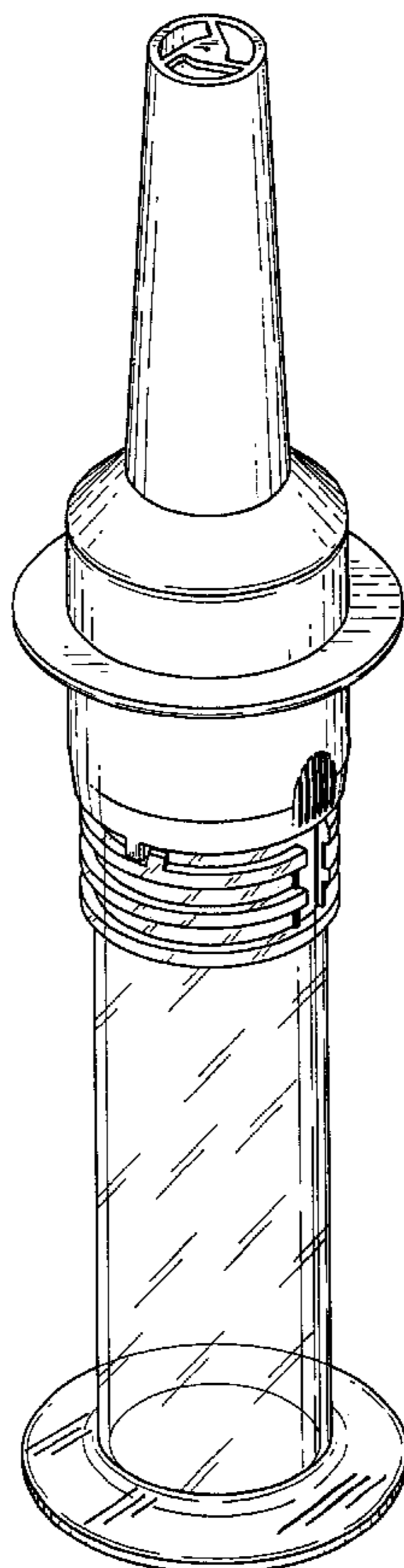
(57) **CLAIM**

The ornamental design for the container or the like, as shown and described.

DESCRIPTION

FIG. 1 is a front side perspective view of the container or the like showing our new design;
FIG. 2 is a side elevational view thereof;
FIG. 3 is a front elevational view thereof.
FIG. 4 is a top view thereof; and,
FIG. 5 is a bottom view thereof.

1 Claim, 3 Drawing Sheets



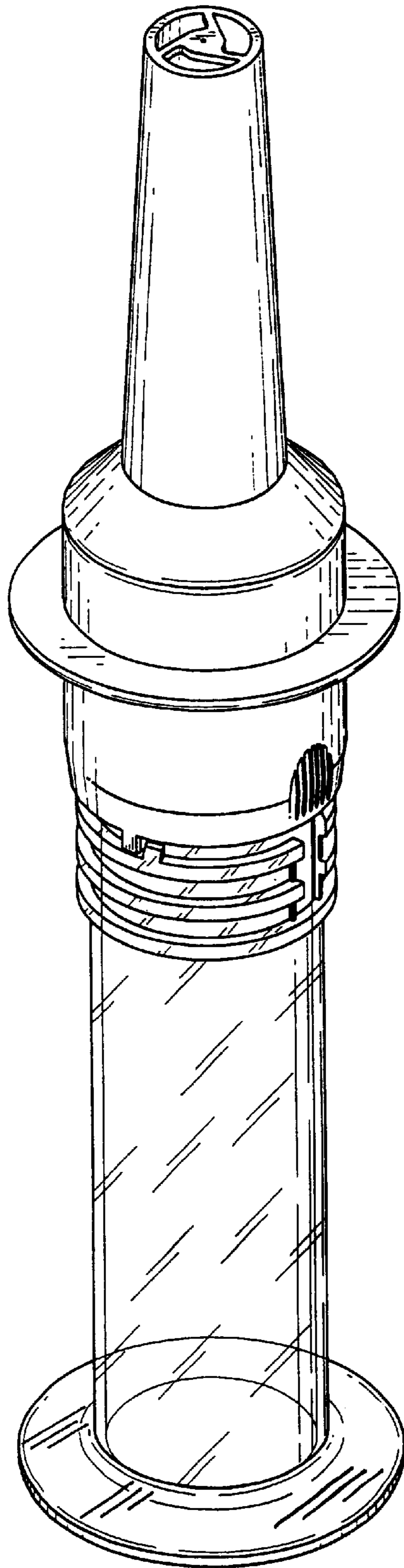


Fig. 1

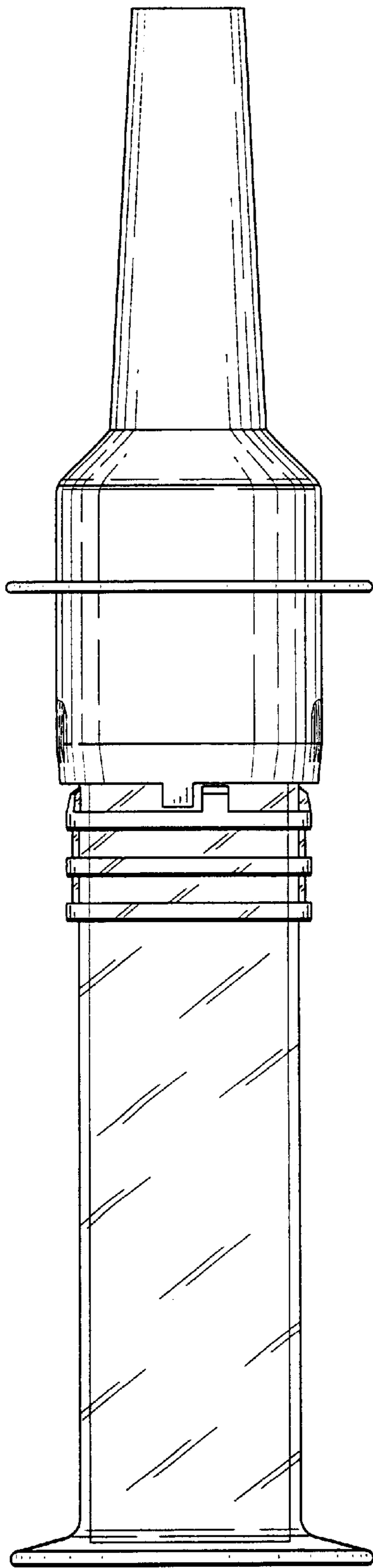


Fig. 2

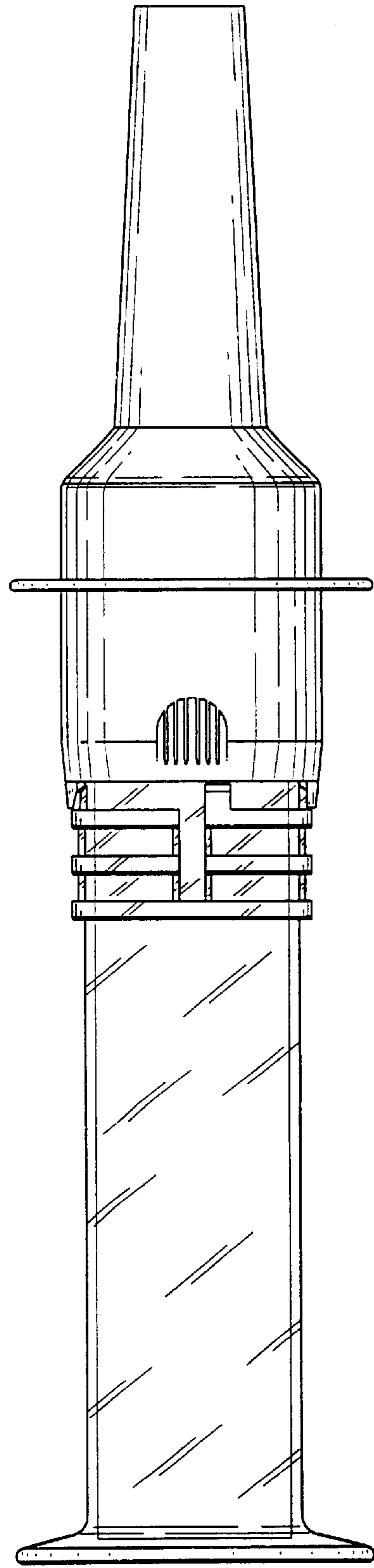


Fig. 3

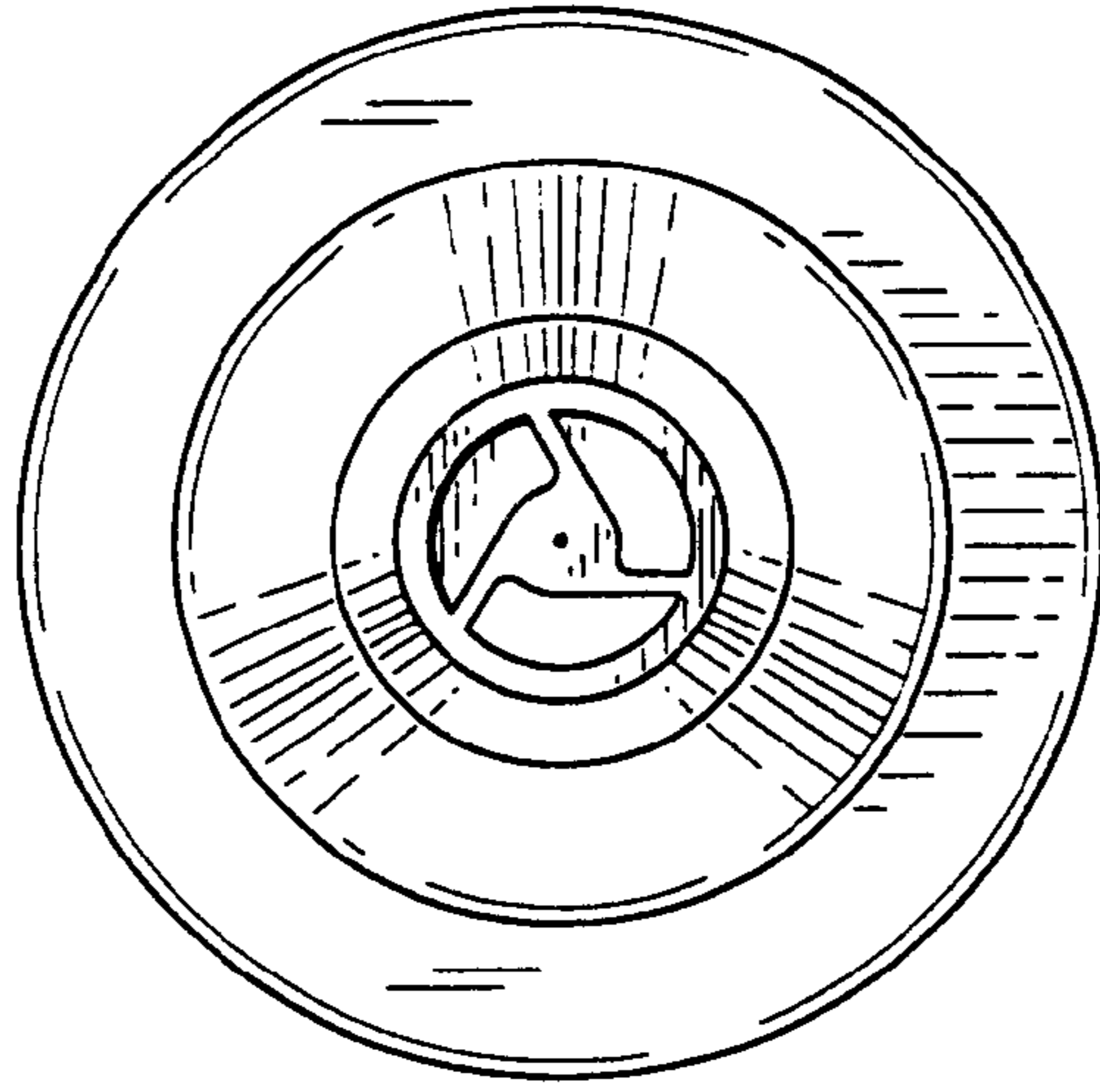


Fig. 4

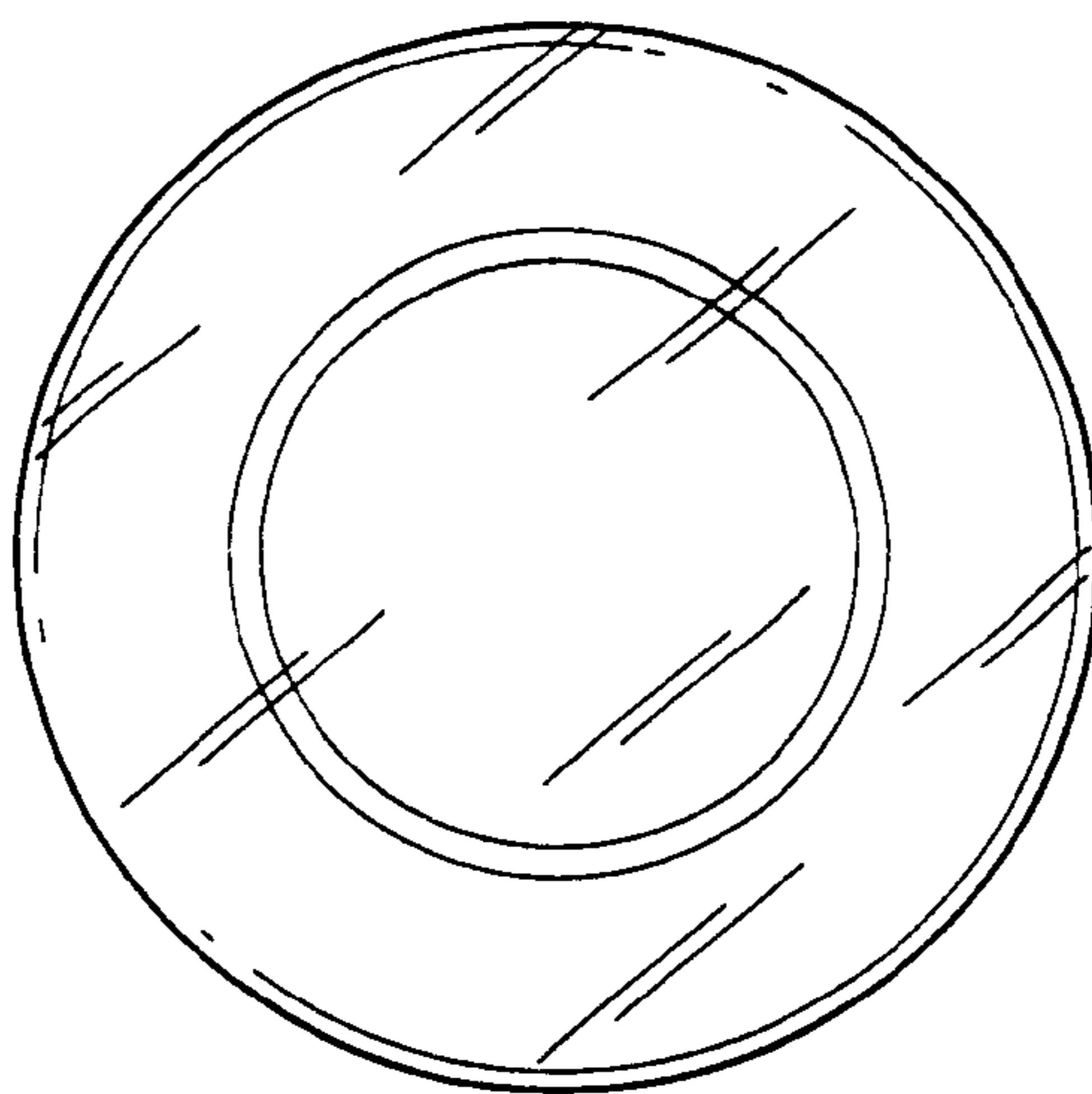


Fig. 5