

US00D468636S

(12) **United States Design Patent**
Weinstein et al.

(10) **Patent No.:** **US D468,636 S**
(45) **Date of Patent:** **** Jan. 14, 2003**

(54) **TUBULAR PACKAGING**

(75) Inventors: **Michael Weinstein**, Anaheim, CA (US);
Eric E. Thompson, Brea, CA (US)

(73) Assignee: **Emhart LLC**, Newark, DE (US)

(**) Term: **14 Years**

(21) Appl. No.: **29/154,648**

(22) Filed: **Jan. 25, 2002**

(51) **LOC (7) Cl.** **09-03**

(52) **U.S. Cl.** **D9/418; D9/428**

(58) **Field of Search** D9/415, 418, 428,
D9/429, 341, 346; 206/751-765, 769-775,
781, 230, 303, 320, 321, 349, 372, 457,
459.1, 580, 407; 229/162

(56) **References Cited**

U.S. PATENT DOCUMENTS

3,406,816 A	10/1968	Green et al.	
D244,259 S	5/1977	Bergstein	
4,099,612 A	7/1978	Hanson	
D249,639 S	* 9/1978	Hogg et al.	D9/415
4,261,461 A	* 4/1981	Kizlauskas	206/765
4,307,803 A	12/1981	Johnson	
4,359,182 A	11/1982	Perkins, Jr.	
D289,143 S	4/1987	Guillaume	
D299,114 S	12/1988	Klinge	
4,993,623 A	2/1991	Kelly et al.	
D315,095 S	3/1991	Wright	
D315,302 S	3/1991	Kistler	
D320,469 S	10/1991	Hoenig	
5,064,056 A	11/1991	Gresh	
D328,248 S	7/1992	Ruff	
5,261,848 A	* 11/1993	Kaplan et al.	220/662
5,282,541 A	* 2/1994	Chen	215/229
D350,460 S	9/1994	Picozza et al.	
5,350,058 A	9/1994	Keough	
D362,801 S	10/1995	Milroy	
D367,226 S	2/1996	Ransbottom	
5,676,248 A	* 10/1997	Brazell	206/756

5,718,335 A	2/1998	Boudreaux	
D394,384 S	5/1998	Humphrey	
5,769,680 A	* 6/1998	Hoffman	206/217
D398,226 S	* 9/1998	Lai et al.	D9/415
5,816,411 A	10/1998	Smith	
D400,787 S	11/1998	Keener	
D405,370 S	2/1999	Humphrey	
D406,056 S	2/1999	Flores et al.	
D406,528 S	3/1999	Flores et al.	
5,890,593 A	4/1999	Humphrey	
D414,108 S	9/1999	Humphrey	
6,047,833 A	* 4/2000	Salomon	206/765
D424,427 S	8/2000	Saputo et al.	
D434,980 S	12/2000	Suzuki	
6,209,720 B1	* 4/2001	Chen	206/765
6,401,932 B1	* 6/2002	Weinstein et al.	206/320

* cited by examiner

Primary Examiner—Prabhakar Deshmukh
(74) *Attorney, Agent, or Firm*—Richard J. Veltman; John D. Del Ponti

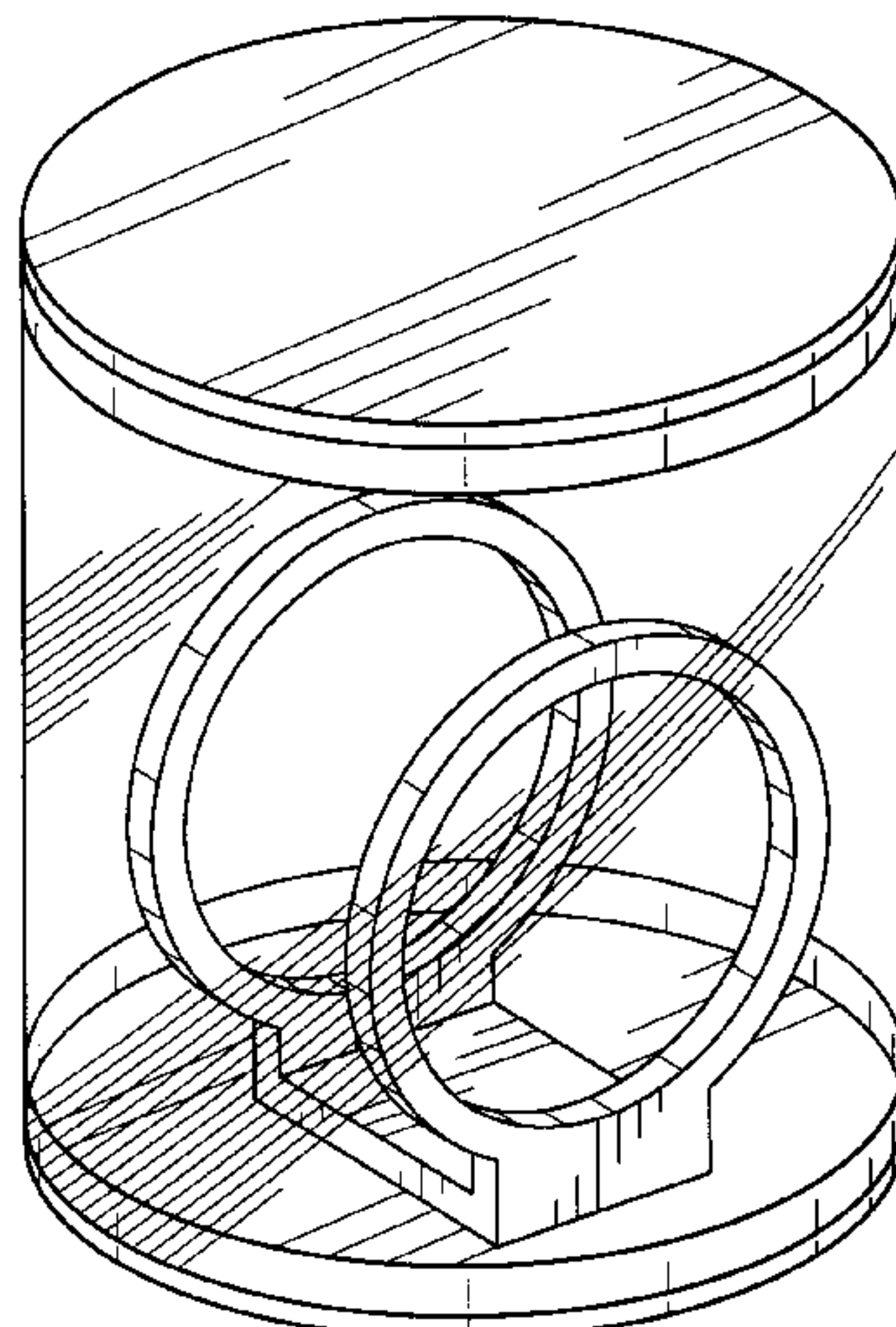
(57) **CLAIM**

The ornamental design for a tubular packaging, as shown and described.

DESCRIPTION

FIG. 1 is a perspective view of the new design for a tubular packaging;
FIG. 2 is an exploded perspective view illustrating the components of the new design for a tubular packaging;
FIG. 3 is a front elevational view of the new design for a tubular packaging, it being understood that the rear elevational view is identical thereto;
FIG. 4 is a right side elevational view of the new design for a tubular packaging, it being understood that the left side elevational view is identical thereto; and,
FIG. 5 is a top plan view of the new design for a tubular packaging, it being understood that the bottom plan view is identical thereto.

1 Claim, 2 Drawing Sheets



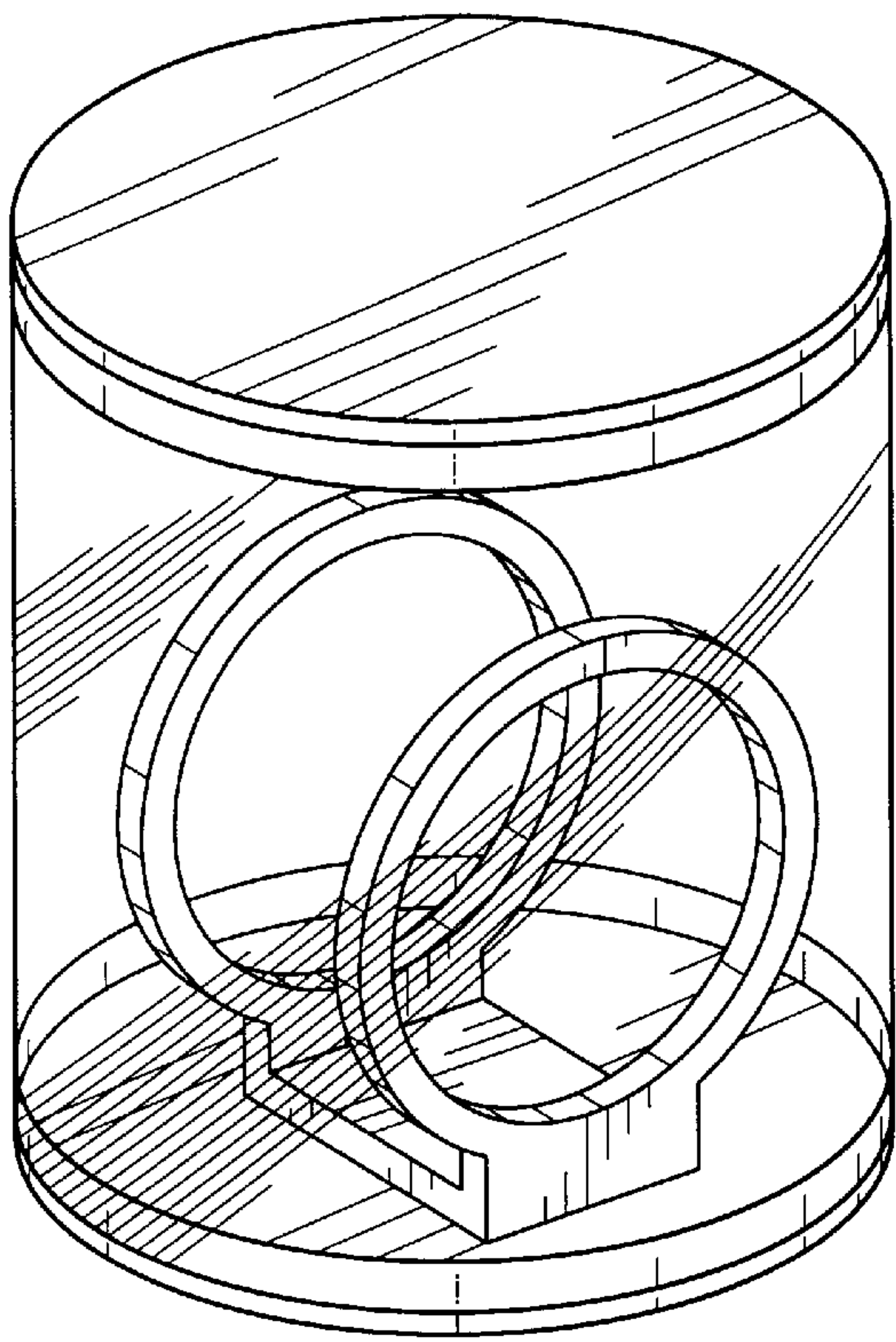


FIG. 1

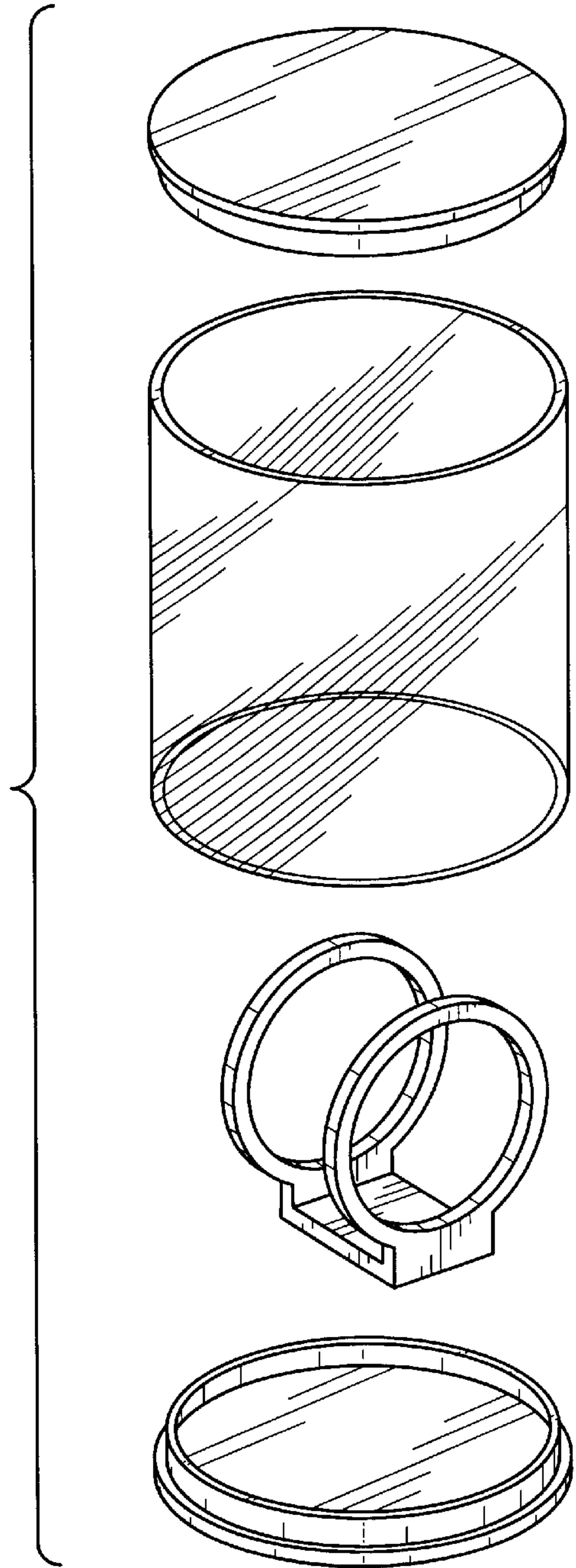


FIG. 2

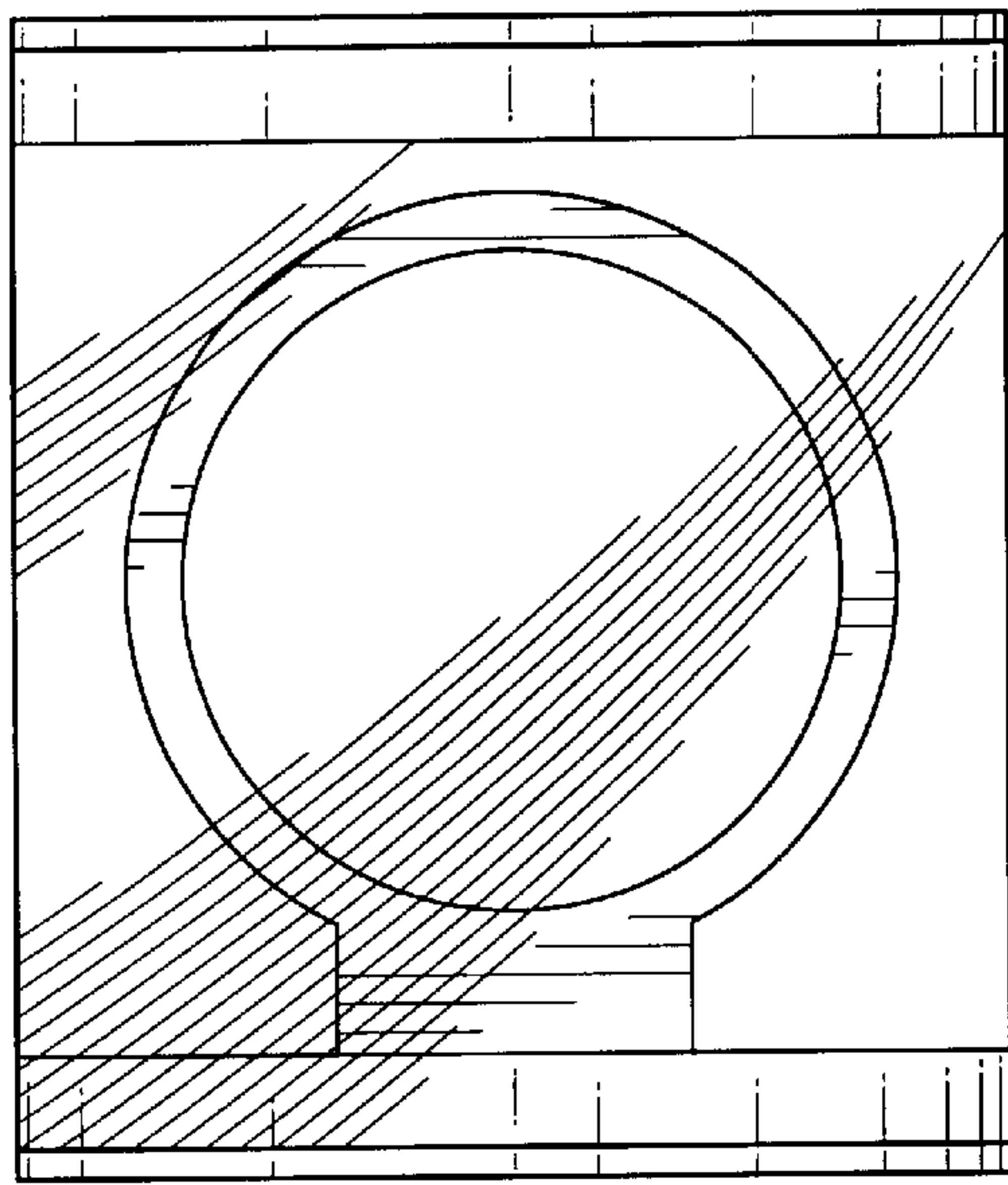


FIG. 3

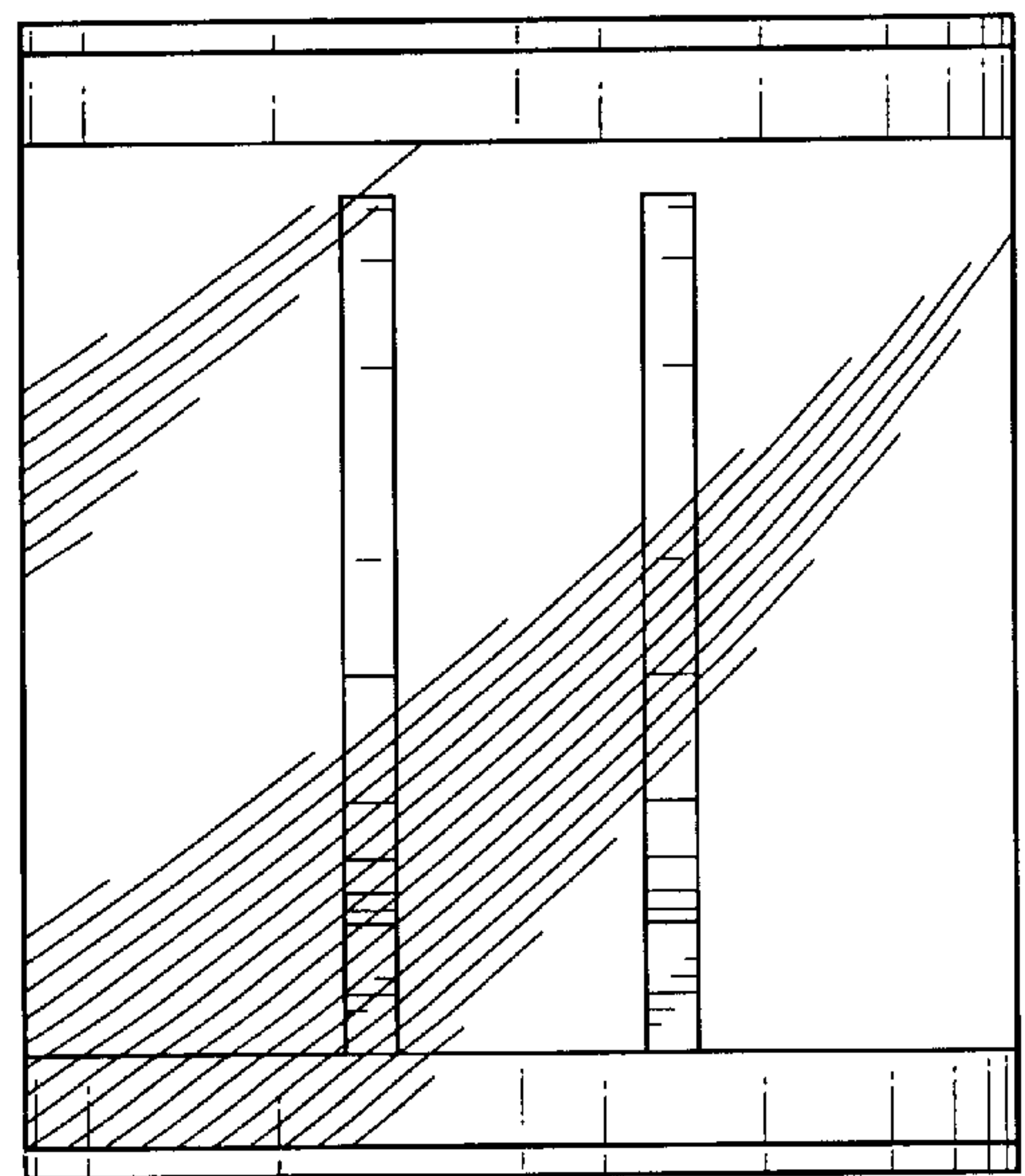


FIG. 4

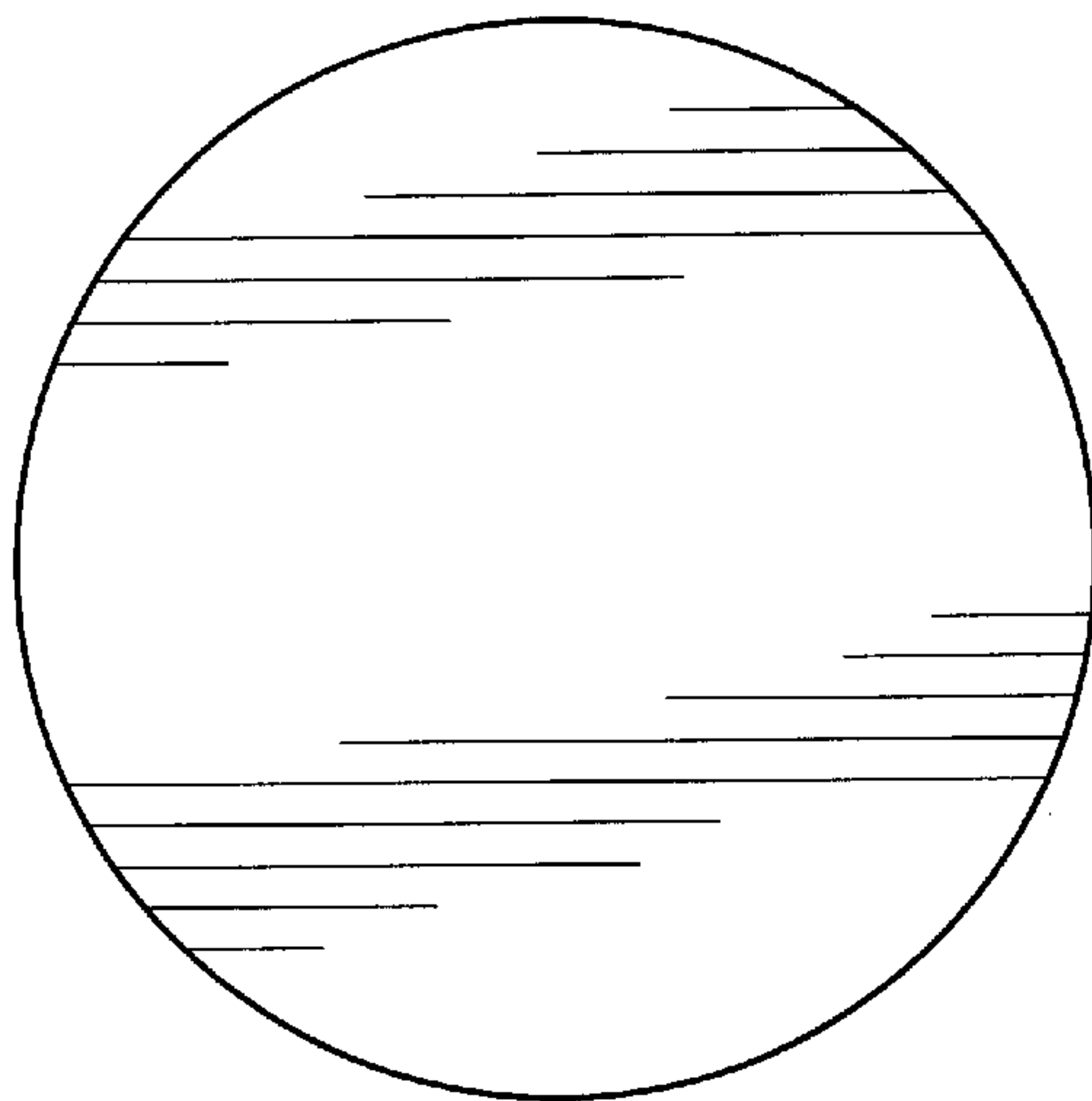


FIG. 5