



US00D468634S

(12) **United States Design Patent**  
**Hammett**

(10) **Patent No.:** **US D468,634 S**

(45) **Date of Patent:** **\*\* Jan. 14, 2003**

(54) **CRATE FOR 20-24 OZ. BOTTLES**

(75) **Inventor:** **Roy Hammett, Odessa, FL (US)**

(73) **Assignee:** **Norseman Plastics Limited (CA)**

(\*\*) **Term:** **14 Years**

(21) **Appl. No.:** **29/146,877**

(22) **Filed:** **Aug. 20, 2001**

(51) **LOC (7) Cl.** ..... **09-03**

(52) **U.S. Cl.** ..... **D9/341**

(58) **Field of Search** ..... D3/304, 307, 308,  
D3/309, 310, 311, 312, 313, 314; D9/341,  
424, 432; 206/139, 427, 433, 499, 508-509,  
515-516, 518, 511-512, 562-564, 557,  
821; 220/23.6, 507, 509, 512, 514, 516,  
519

D379,717 S	6/1997	Apps et al.	
D380,901 S	* 7/1997	Apps et al.	..... D3/311
D399,060 S	10/1998	Apps et al.	
D399,061 S	10/1998	Apps et al.	
D400,012 S	* 10/1998	Apps	..... D3/314
D401,764 S	12/1998	Apps et al.	
5,855,277 A	1/1999	Apps et al.	
D412,399 S	* 8/1999	Apps et al.	..... D3/318
6,073,793 A	6/2000	Apps et al.	

\* cited by examiner

*Primary Examiner*—Ted Shooman

*Assistant Examiner*—Daniel Bui

(74) *Attorney, Agent, or Firm*—Nixon & Vanderhye P.C.

(57) **CLAIM**

The ornamental design for a “crate for 20-24 oz. bottles”, as shown and described.

**DESCRIPTION**

FIG. 1 is a perspective view of the crate in accordance with the invention;

FIG. 2 is a right side elevation view thereof, the left side being identical thereto;

FIG. 3 is a right end view thereof, the left end being identical thereto;

FIG. 4 is a top plan view thereof; and,

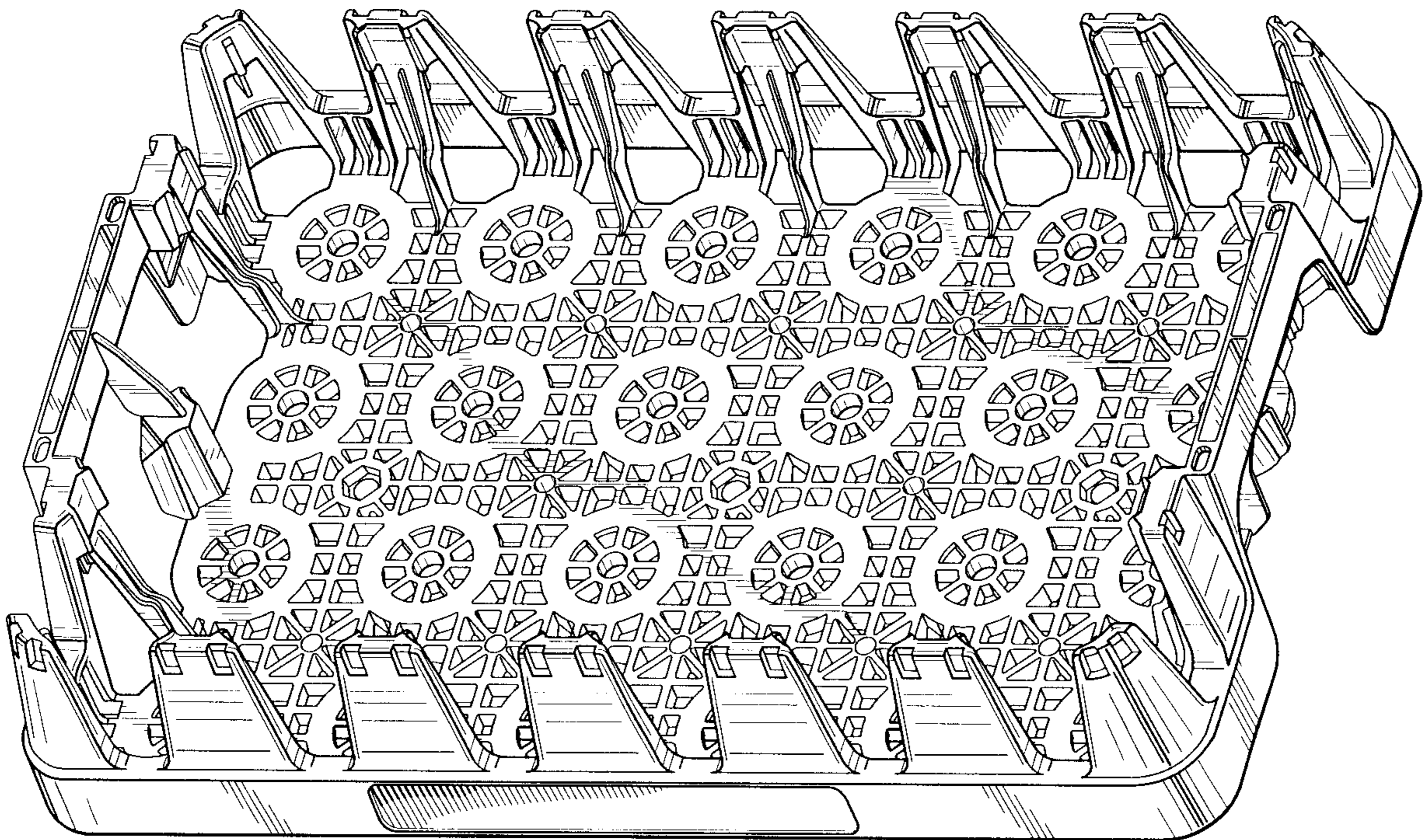
FIG. 5 is a bottom plan view thereof.

**1 Claim, 4 Drawing Sheets**

(56) **References Cited**

**U.S. PATENT DOCUMENTS**

5,060,819 A	10/1991	Apps
D325,279 S	4/1992	Apps
D329,931 S	9/1992	Apps
D330,621 S	10/1992	Apps
D361,431 S	8/1995	Koefeldt
5,465,843 A	11/1995	Koefeldt
D379,121 S	5/1997	Apps et al.





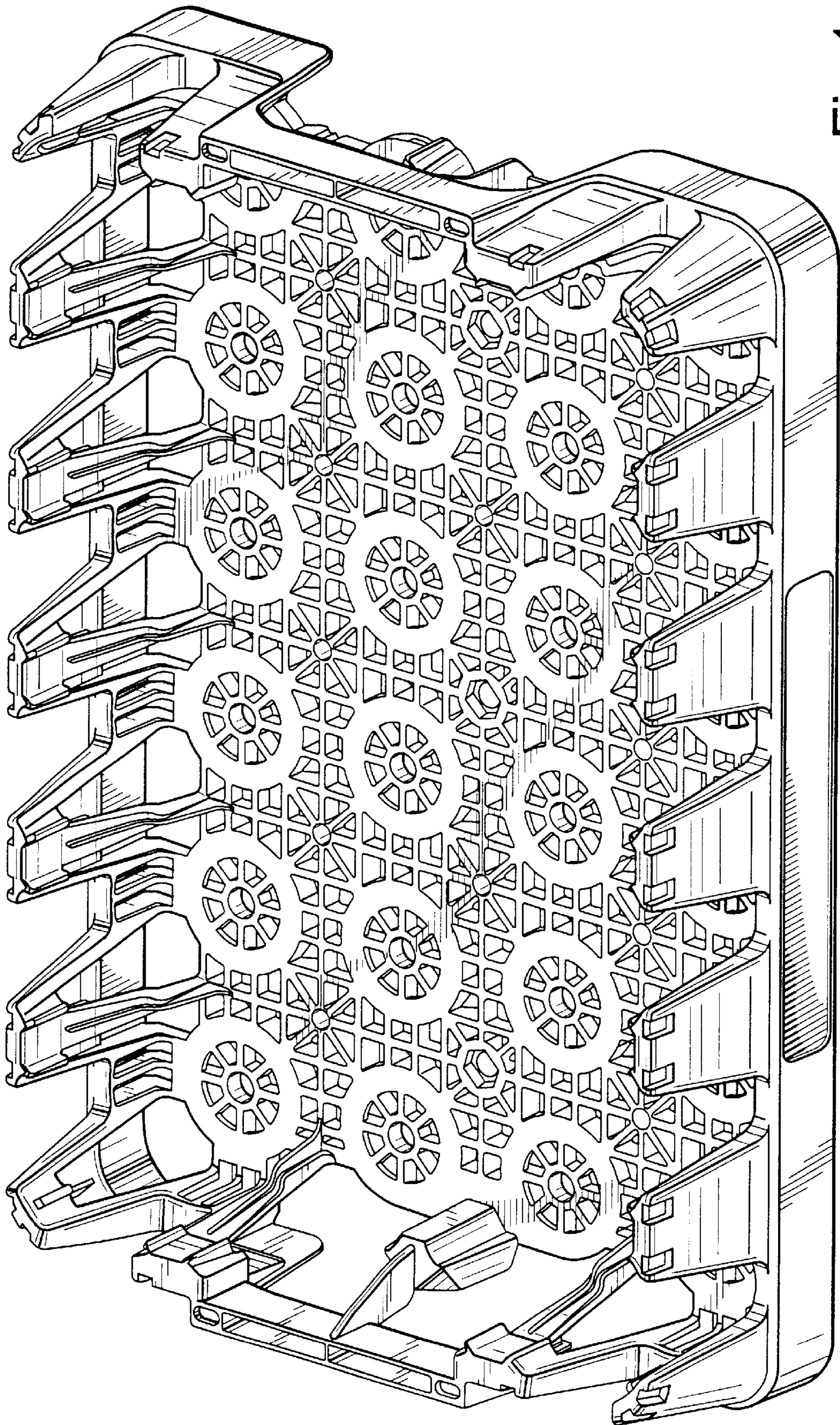


Fig.1

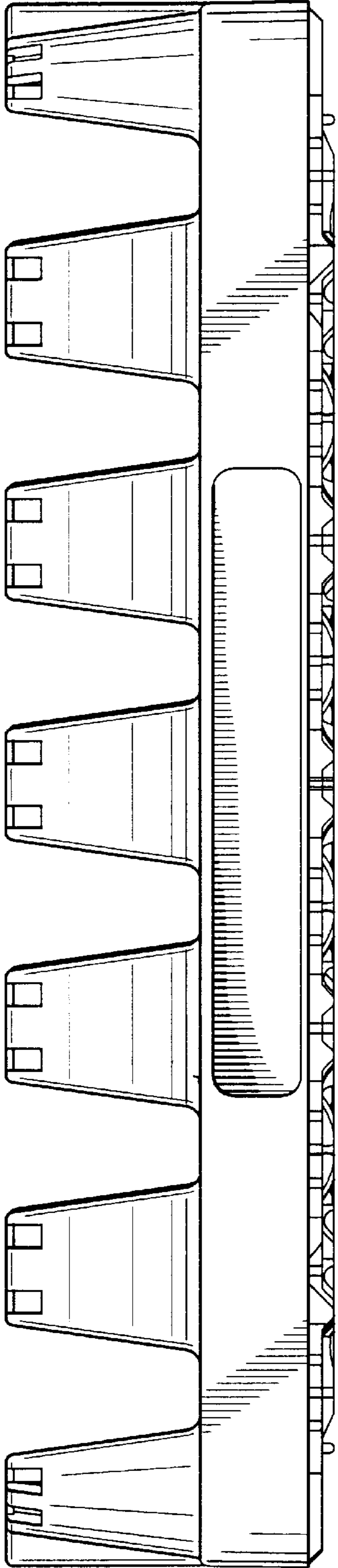


Fig. 2

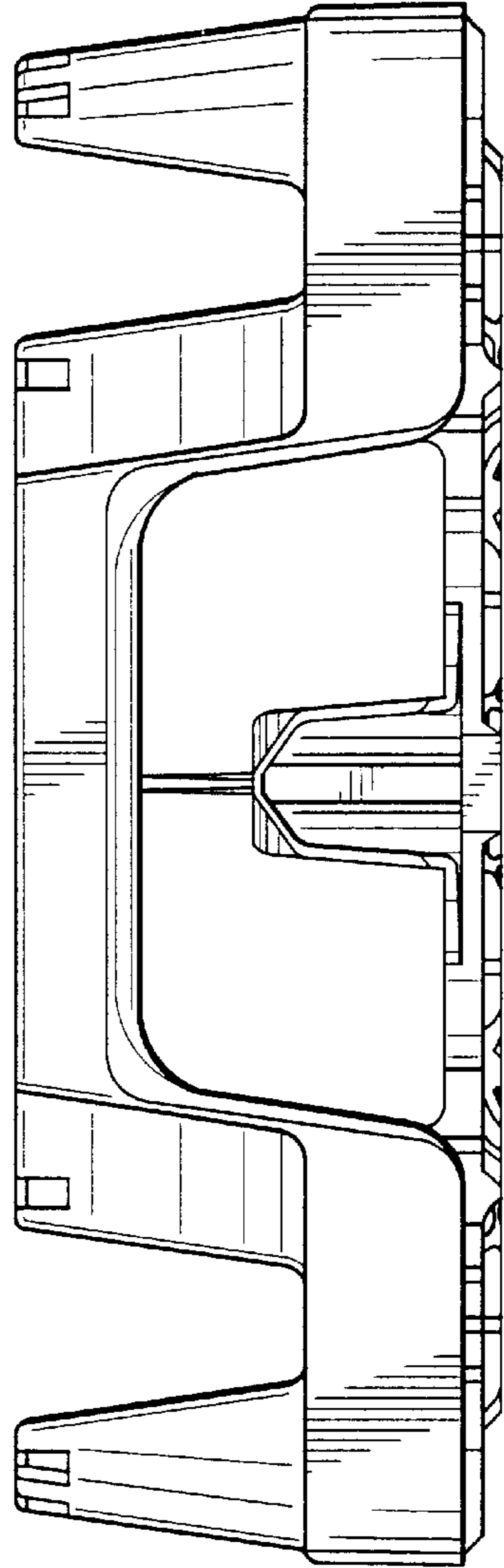


Fig. 3



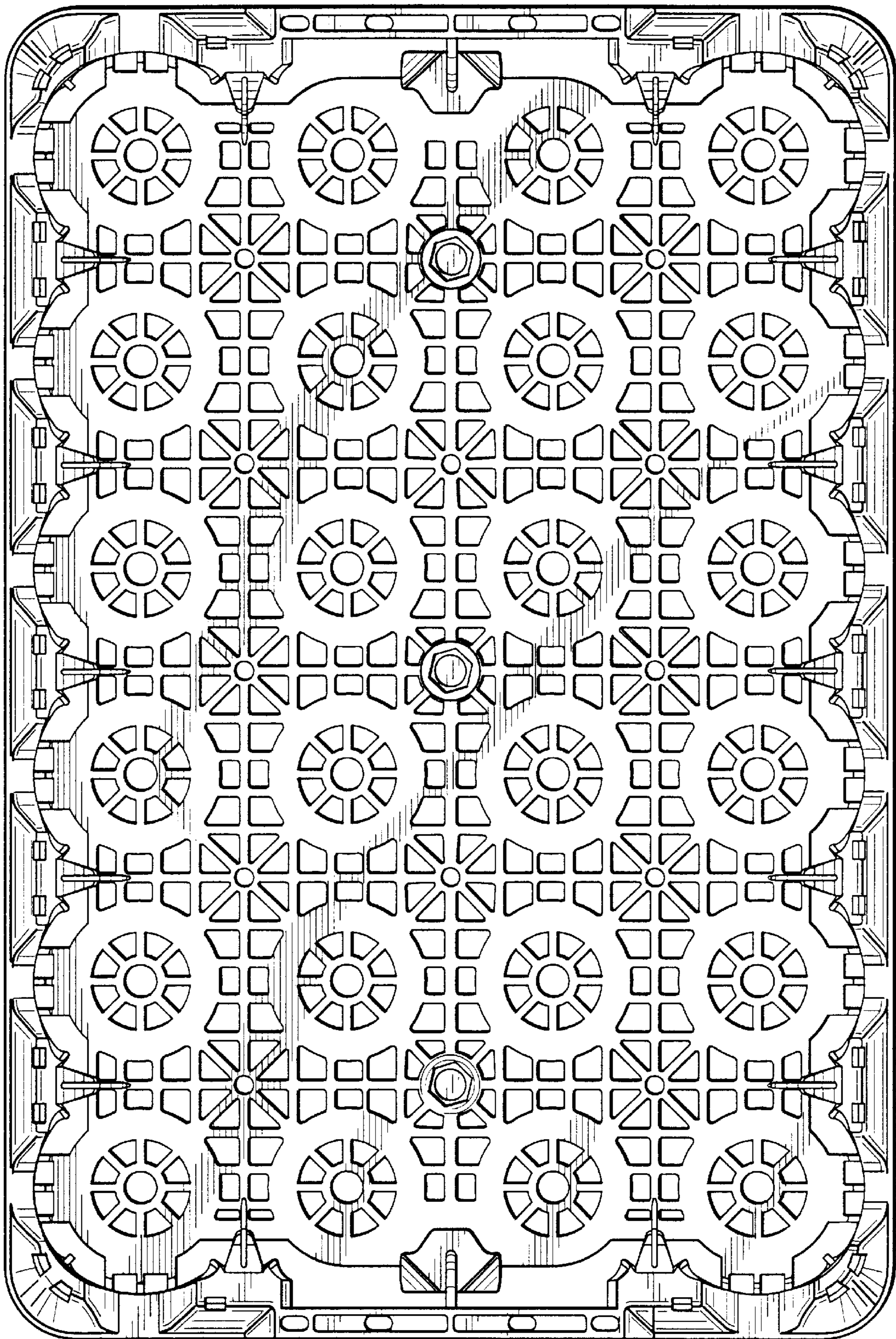


Fig.4



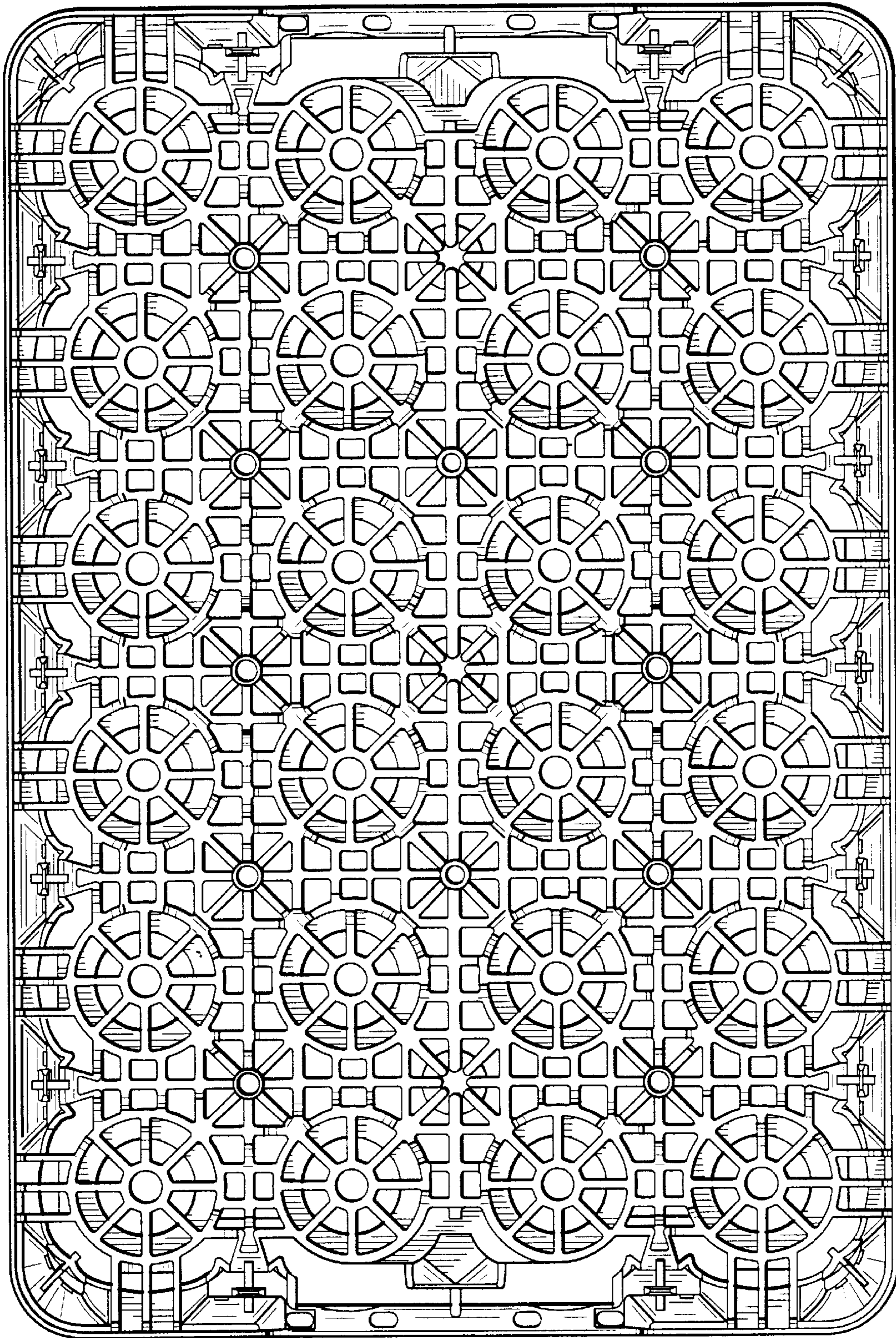


Fig. 5