



US00D468633S

(12) **United States Design Patent**  
**DeWood**

(10) **Patent No.:** **US D468,633 S**

(45) **Date of Patent:** **\*\* Jan. 14, 2003**

(54) **APPLICATOR FOR APPLYING MATERIAL TO A SURFACE**

5,743,959 A 4/1998 Ash et al.

(75) **Inventor:** **Kenneth Alan DeWood**, Findlay, OH (US)

*Primary Examiner*—Antoine Duval Davis  
(74) *Attorney, Agent, or Firm*—Donald K. Wedding

(73) **Assignee:** **Designetics**, Sylvania, OH (US)

(57) **CLAIM**

(\*\*) **Term:** **14 Years**

The ornamental design for an applicator for applying material to a surface, as shown and described.

(21) **Appl. No.:** **29/152,933**

**DESCRIPTION**

(22) **Filed:** **Jan. 4, 2002**

(51) **LOC (7) Cl.** ..... **09-01**

(52) **U.S. Cl.** ..... **D9/338**

(58) **Field of Search** ..... D15/150, 199;  
D9/338; D24/152; 401/DIG. 3, 134-139

FIG. 1 is an isometric or perspective view of my design for an applicator for applying material to a surface

FIG. 2 is a front view of the design shown in FIG. 1

FIG. 3 is a side view of the design shown in FIG. 1

FIG. 4 is a top view of the design shown in FIG. 1; and,

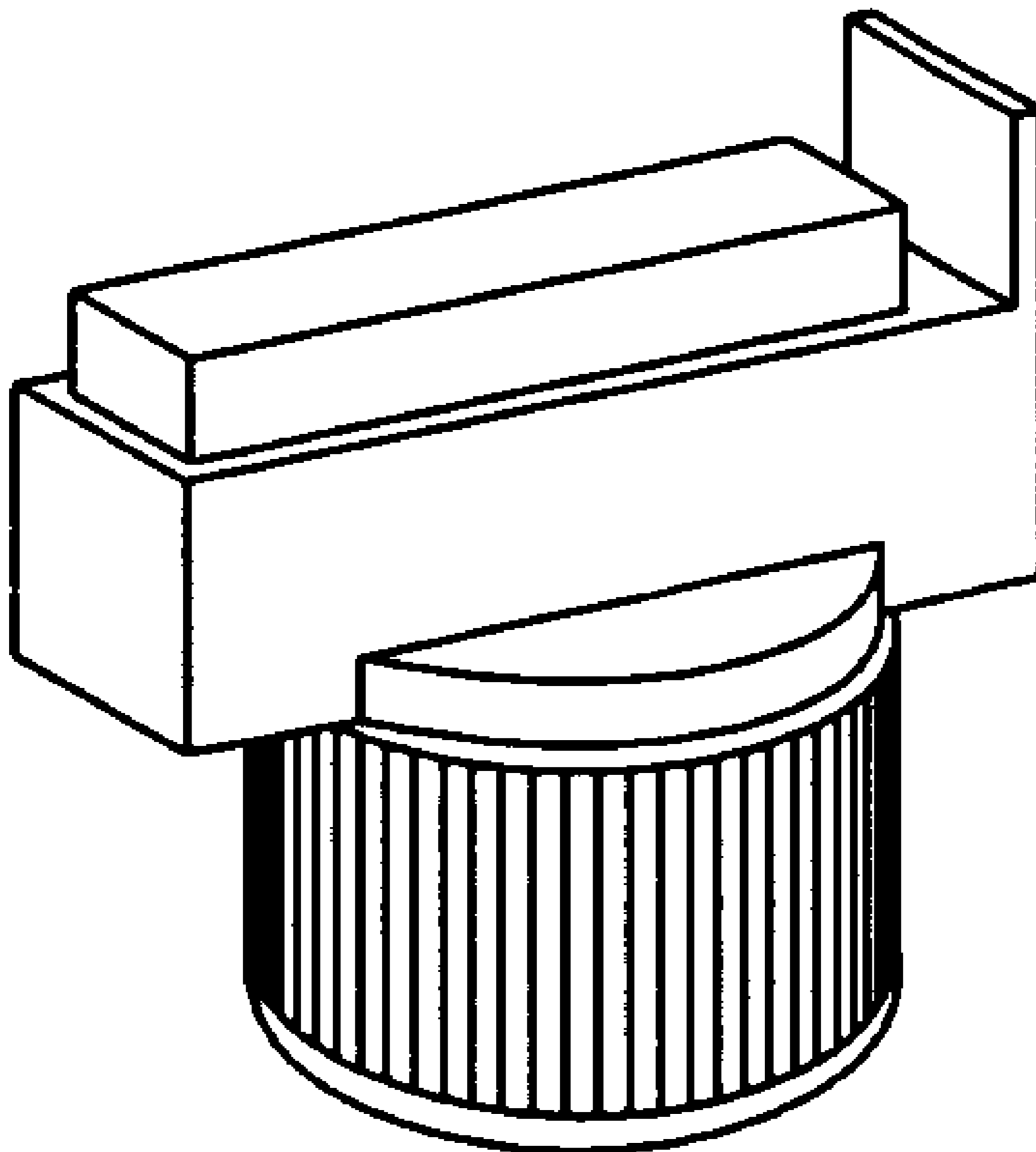
FIG. 5 is a bottom view of the design shown in FIG. 1.

(56) **References Cited**

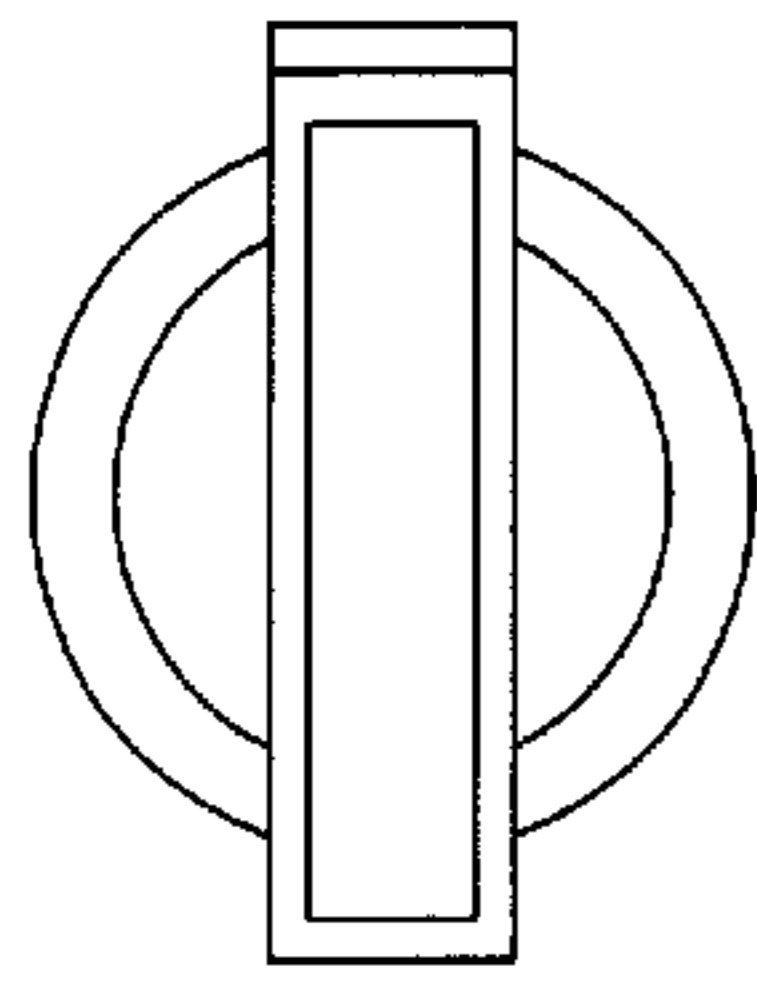
**U.S. PATENT DOCUMENTS**

5,131,349 A 7/1992 Keller et al.

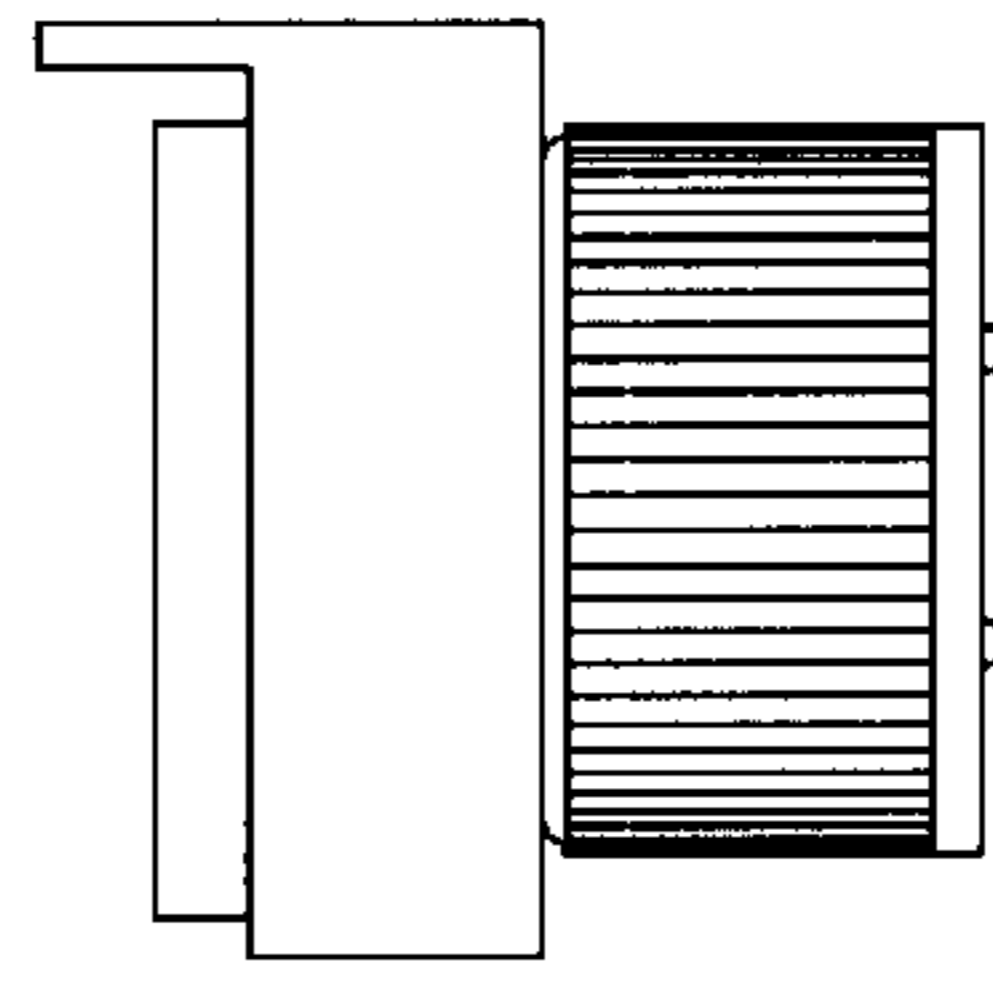
**1 Claim, 1 Drawing Sheet**



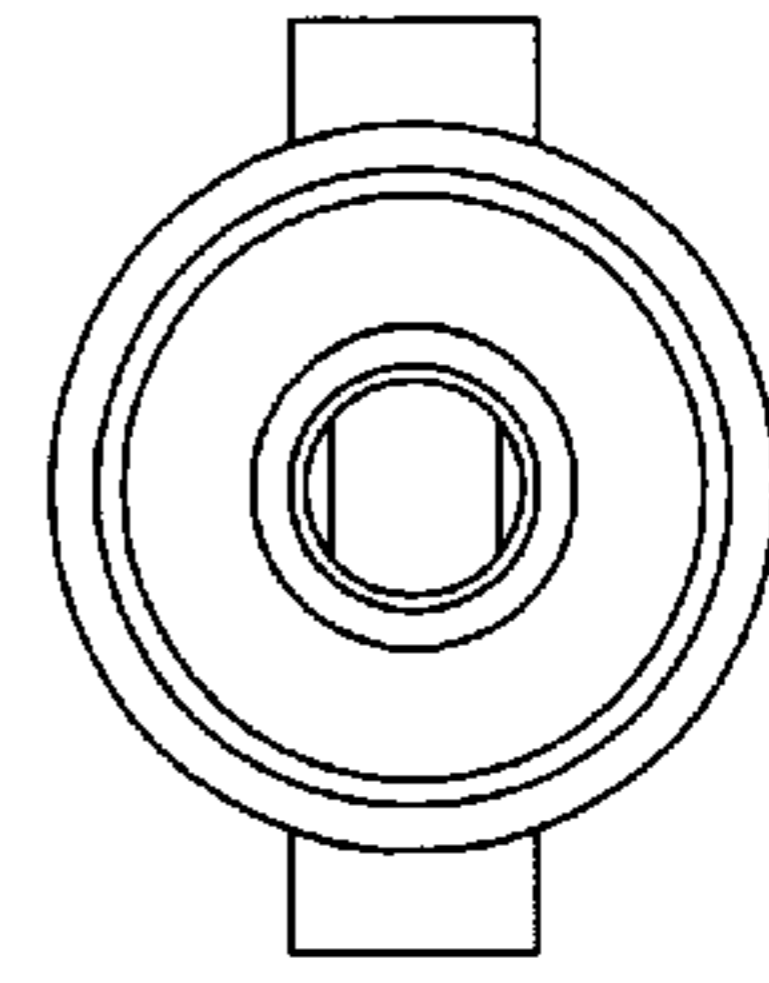
ISOMETRIC VIEW



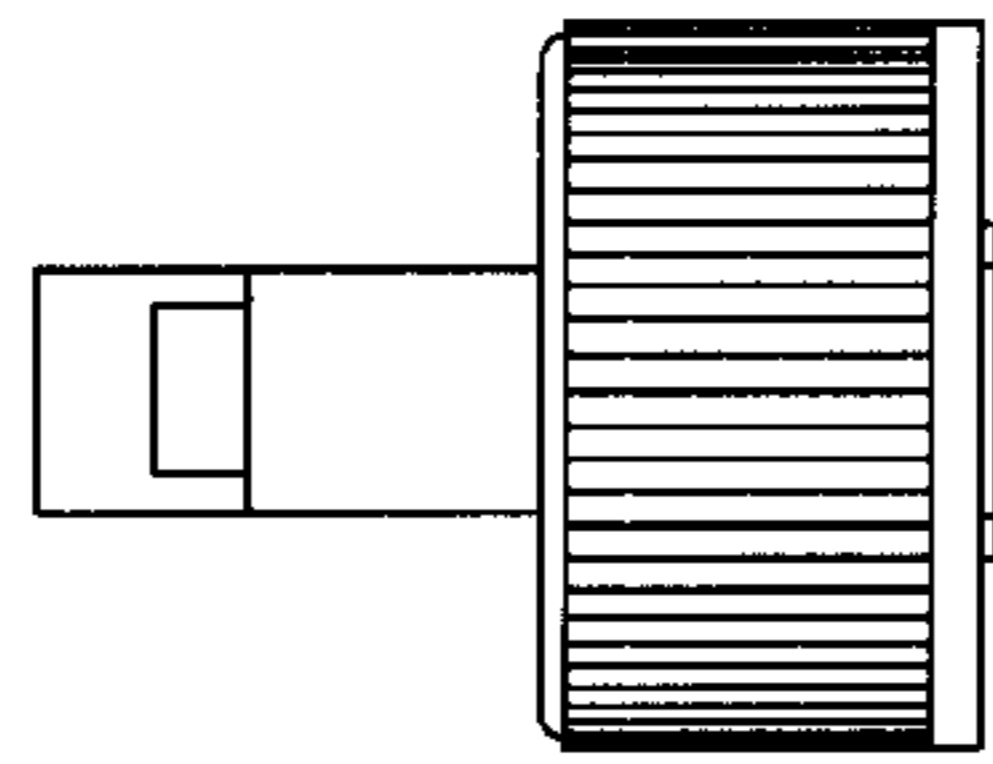
TOP VIEW  
FIGURE 4



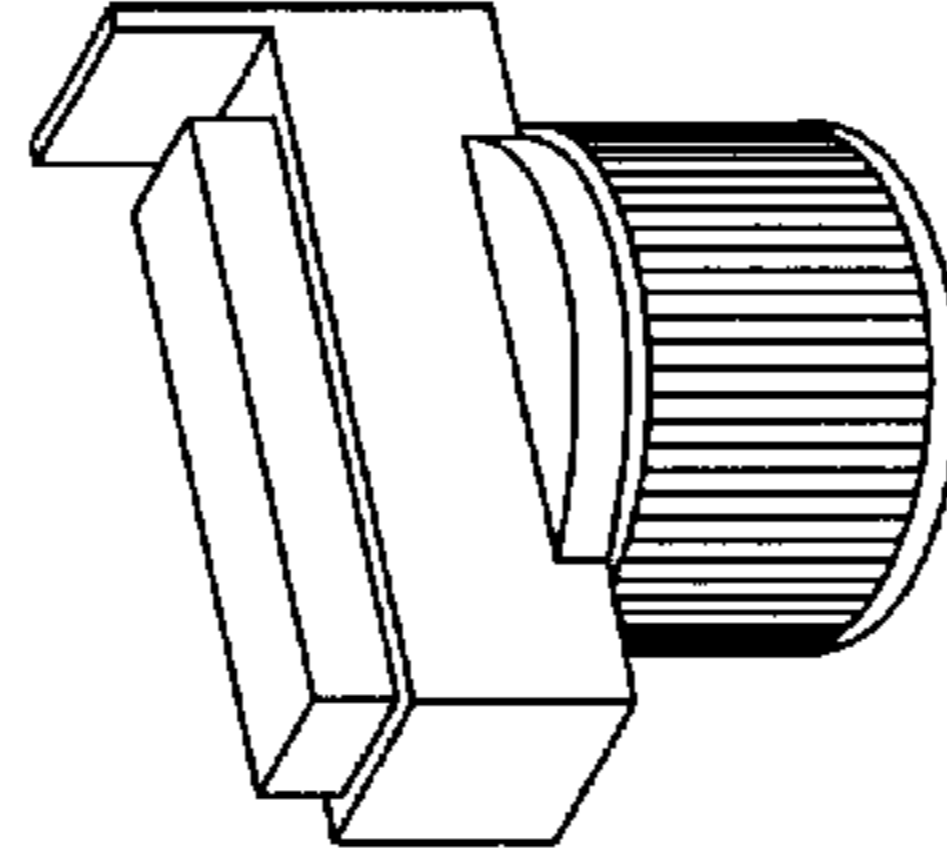
FRONT VIEW  
FIGURE 2



BOTTOM VIEW  
FIGURE 5



SIDE VIEW  
FIGURE 3



ISOMETRIC VIEW  
FIGURE 1