



US00D468626S

(12) **United States Design Patent**  
**Jødal et al.**

(10) **Patent No.:** **US D468,626 S**

(45) **Date of Patent:** **\*\* Jan. 14, 2003**

(54) **BOTTLE**

(75) Inventors: **Camilla Gurli Jødal**, Hamburg (DE);  
**Andrea Franziska Brandt**, Hamburg (DE)

(73) Assignee: **The Procter & Gamble Company**,  
Cincinnati, OH (US)

(\*\*) Term: **14 Years**

(21) Appl. No.: **29/143,263**

(22) Filed: **Jun. 11, 2001**

(30) **Foreign Application Priority Data**

Dec. 14, 2000 (GB) ..... 2098191

(51) **LOC (7) Cl.** ..... **09-01**

(52) **U.S. Cl.** ..... **D9/300**; D9/516; D9/561

(58) **Field of Search** ..... D9/300, 503, 504,  
D9/516, 544, 522, 529, 530, 541, 543,  
552, 561, 565, 571, 572, 575, 520, 505;  
215/381-385, 396, 398; D28/5, 91.1

(56) **References Cited**

**U.S. PATENT DOCUMENTS**

D69,486 S	*	2/1926	Braun	.....	D9/545
D99,764 S	*	5/1936	Trompeter	.....	D9/500
D115,068 S	*	5/1939	Jensen	.....	D9/561
D338,833 S	*	8/1993	Dinand	.....	D9/516
D345,300 S	*	3/1994	Koytuk	.....	D9/300
D354,001 S	*	1/1995	Park	.....	D9/544
D355,602 S	*	2/1995	Buettner et al.	.....	D9/505
D362,624 S	*	9/1995	Vignot	.....	D9/520
D383,068 S	*	9/1997	Dinand	.....	D9/522
D407,319 S	*	3/1999	Maddy	.....	D9/544
D414,427 S	*	9/1999	Maddy	.....	D9/558
D438,098 S	*	2/2001	Krunas	.....	D9/300
D446,882 S	*	8/2001	Angeletta	.....	D28/7
D454,628 S	*	3/2002	Basaganas	.....	D9/544 X

**OTHER PUBLICATIONS**

Miniature Perfume Bottles: Minis, Mates, + More, by Jeri Lynn Ringblum, Schiffler Pub. Co., PA, © 1996, "Tuscany Per Donna", launch date 1993, p. 99, top right of page.\*

Miniature Perfume Bottles: Minis, Mates, + More, by Jeri Lynn Ringblum, Schiffler Pub. Co., PA, © 1996, "C'est Moi!", launch date 1993, p. 205, top right of page.\*

Miniature Perfume Bottles: Minis, Mates, + More, by Jeri Lynn Ringblum, Schiffler Pub. Co., PA, © 1996, "Luna Mystique", launch date 1990, p. 216, center of page.\*

Miniature Perfume Bottles: Minis, Mates, + More, by Jeri Lynn Ringblum, Schiffler Pub. Co., PA, © 1996, "Experiences" by Richard Barrie Fragrances, Inc.(1993), p. 217, top right.\*

Avon, Sep. 1994, Perfumes Creatifs, "C'est Moi!", Paris, p. 10.\*

\* cited by examiner

*Primary Examiner*—Ted Shooman

*Assistant Examiner*—Carol Rademaker

(74) *Attorney, Agent, or Firm*—Kenya T. Pierre; Fumiko Tsuneki; Tara M. Rosnell

(57) **CLAIM**

The ornamental design for a bottle, as shown and described.

**DESCRIPTION**

FIG. 1 is a front perspective view of a bottle, embodying our new design;

FIG. 2 is a front view thereof;

FIG. 3 is a rear view thereof;

FIG. 4 is a right side view thereof;

FIG. 5 is a left side view thereof;

FIG. 6 is a plan view from above thereof;

FIG. 7 is a plan view from underneath thereof; and

FIG. 8 is a front perspective view of a second embodiment of our new design for a bottle;

FIG. 9 is a front view thereof;

FIG. 10 is a rear view thereof;

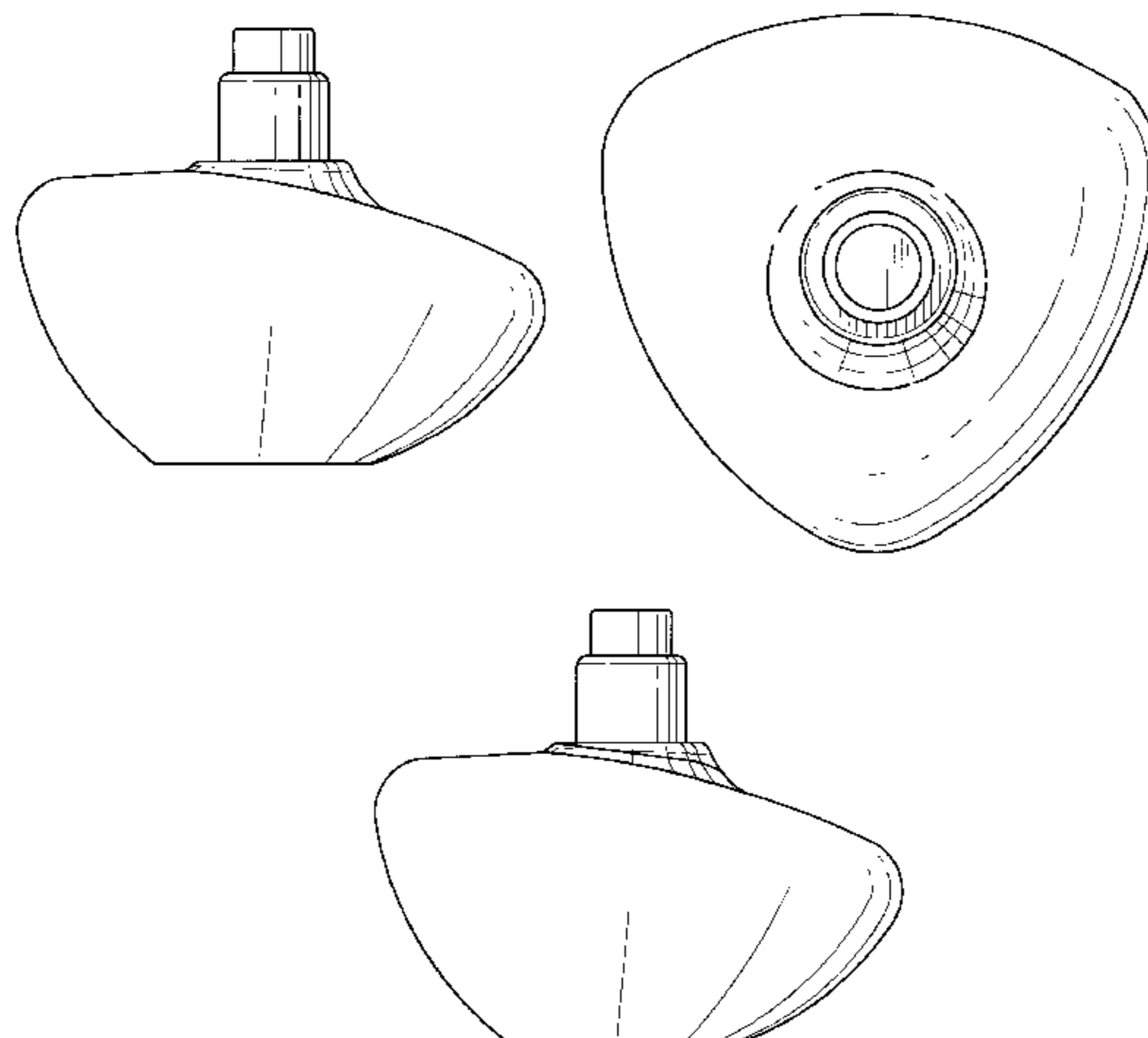
FIG. 11 is a right side view thereof;

FIG. 12 is a left side view thereof;

FIG. 13 is a plan view from above thereof; and,

FIG. 14 is a plan view from underneath thereof.

**1 Claim, 4 Drawing Sheets**



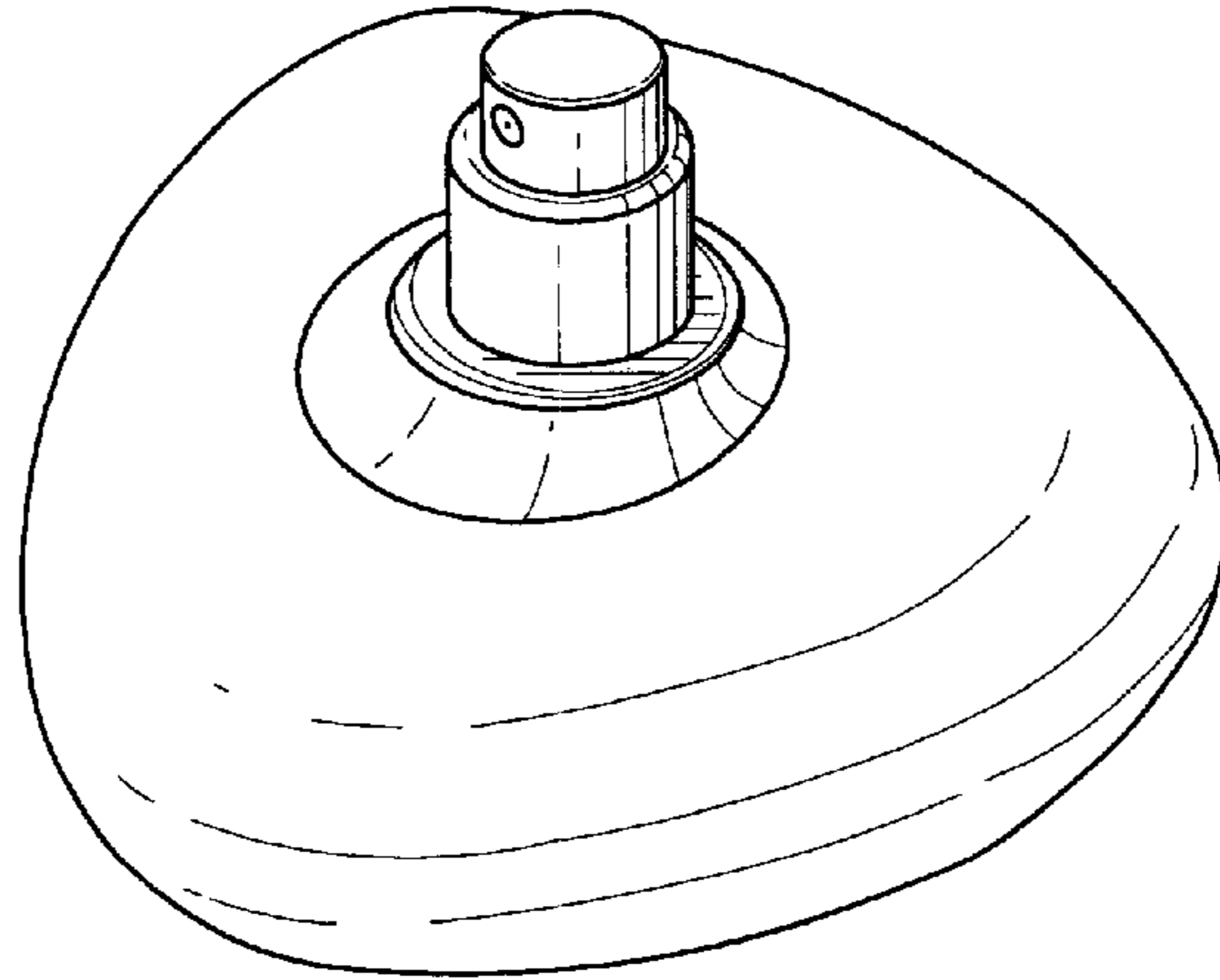


Fig. 1

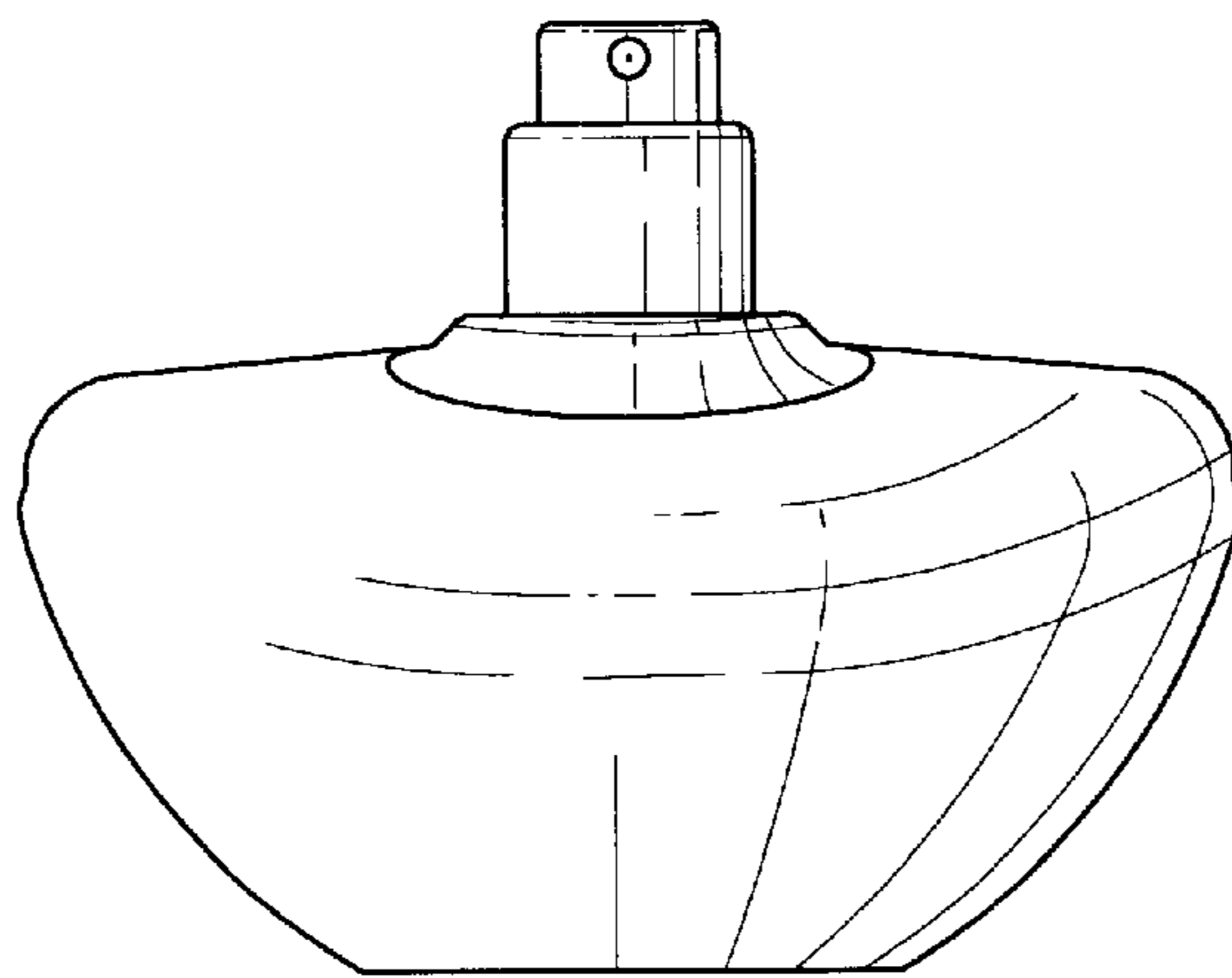


Fig. 2

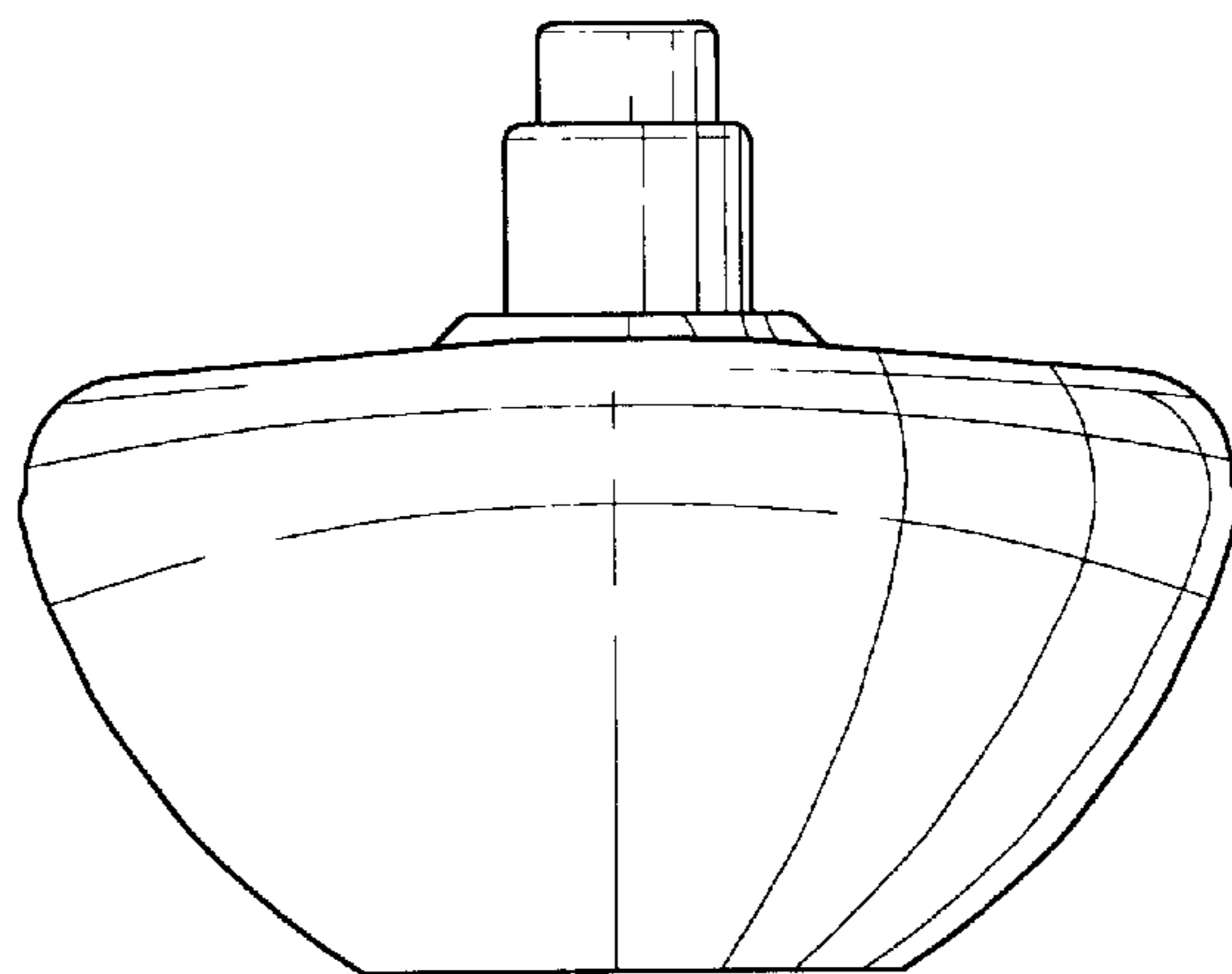


Fig. 3

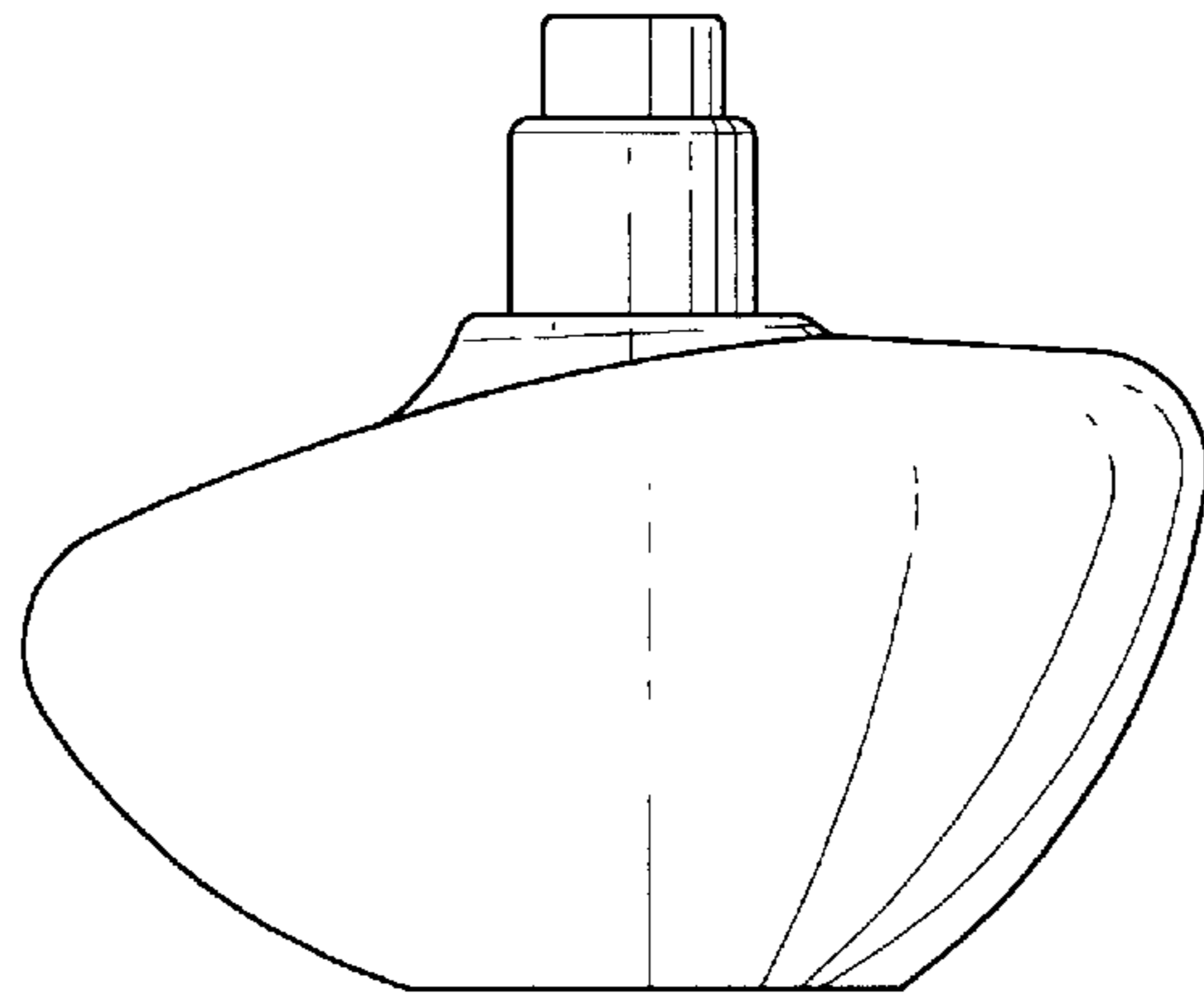


Fig. 4

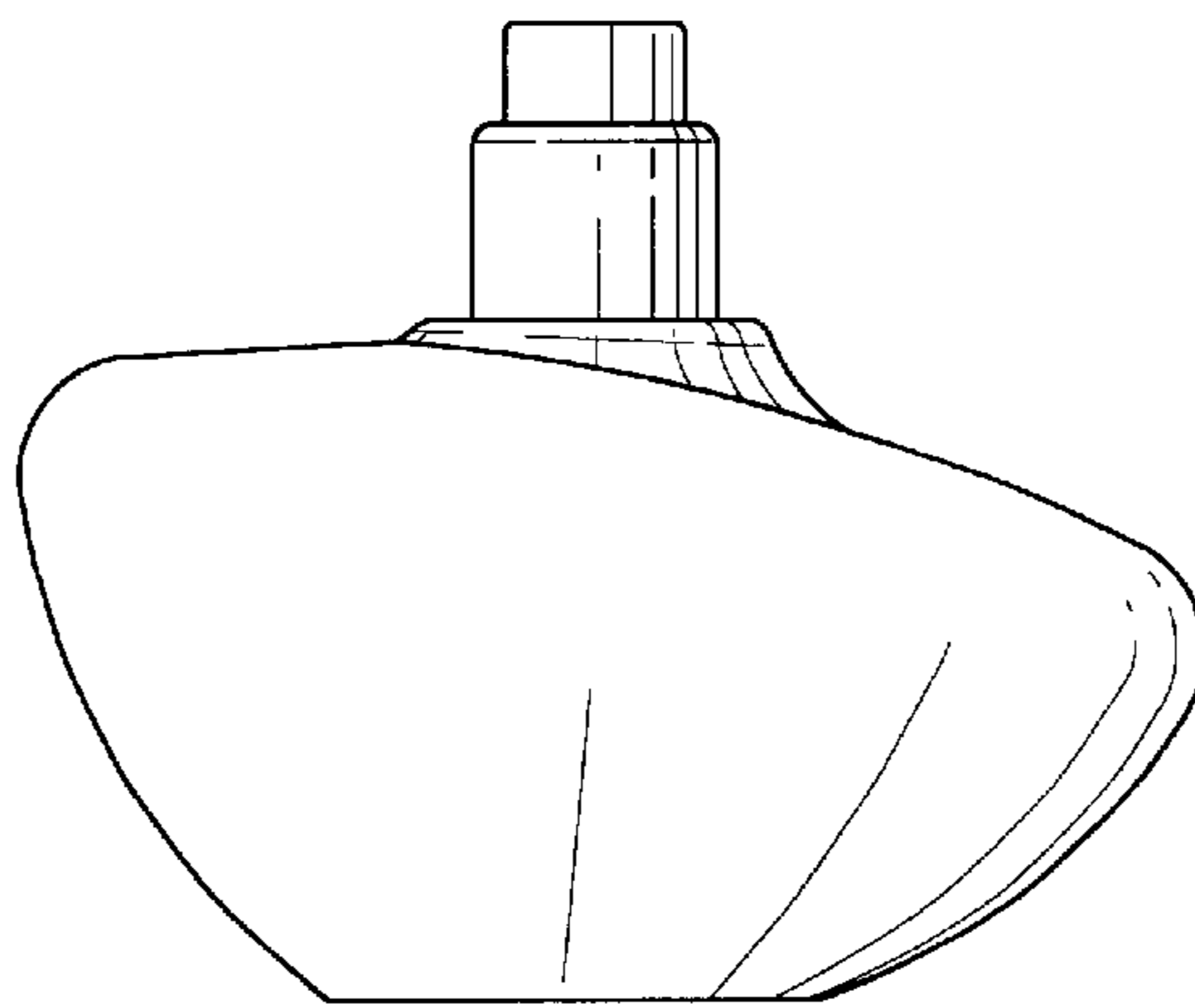


Fig. 5

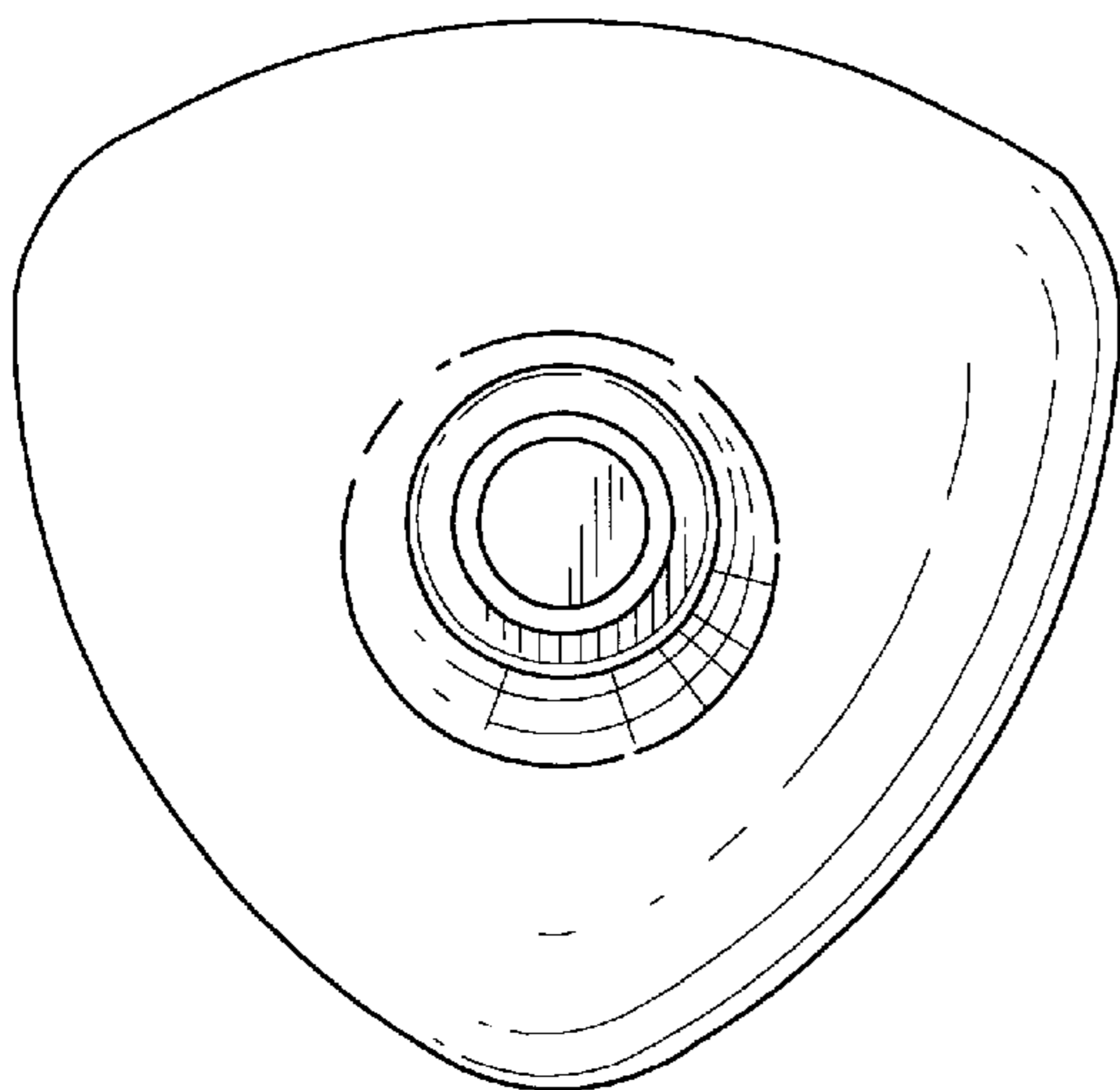


Fig. 6

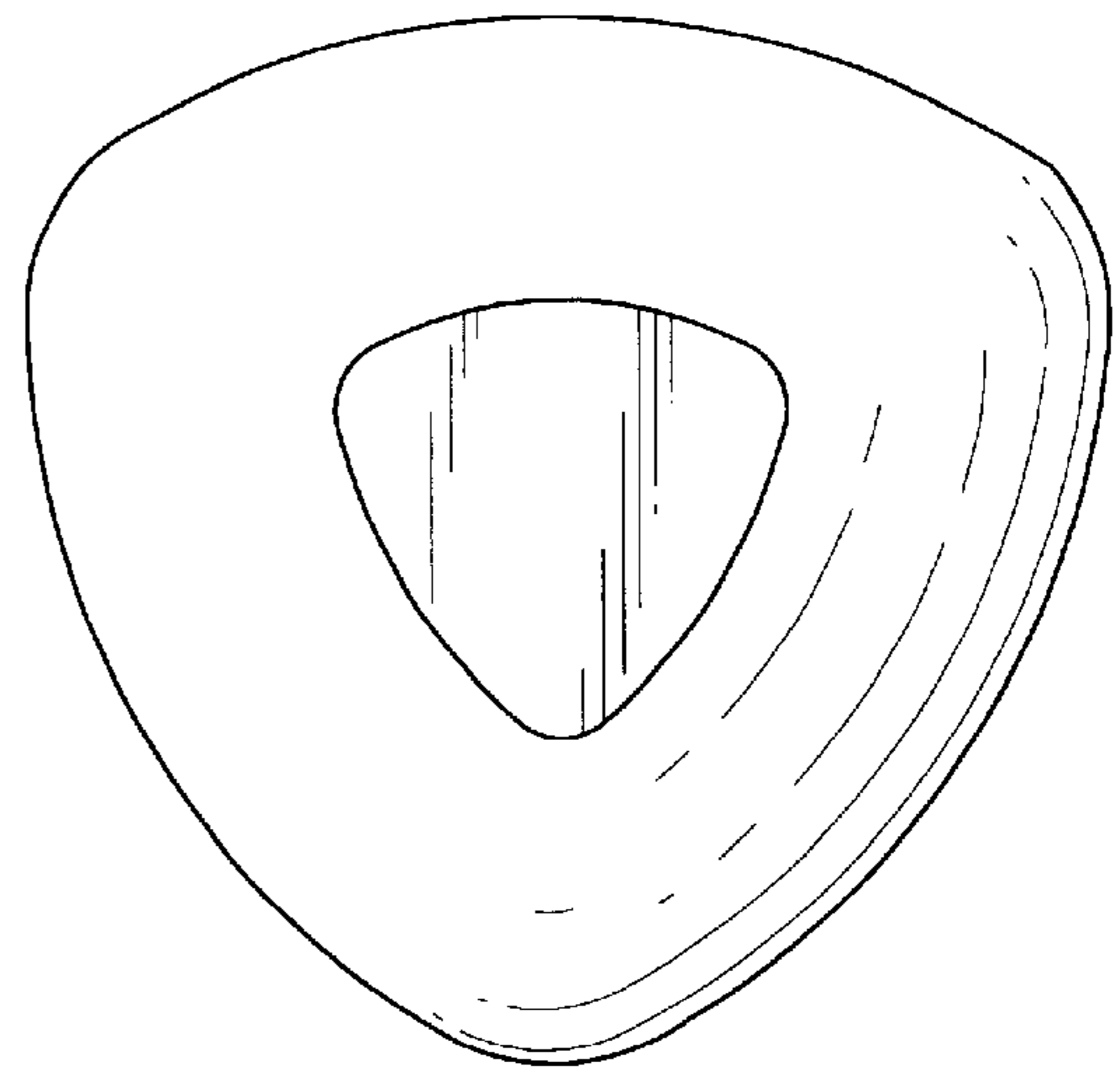


Fig. 7

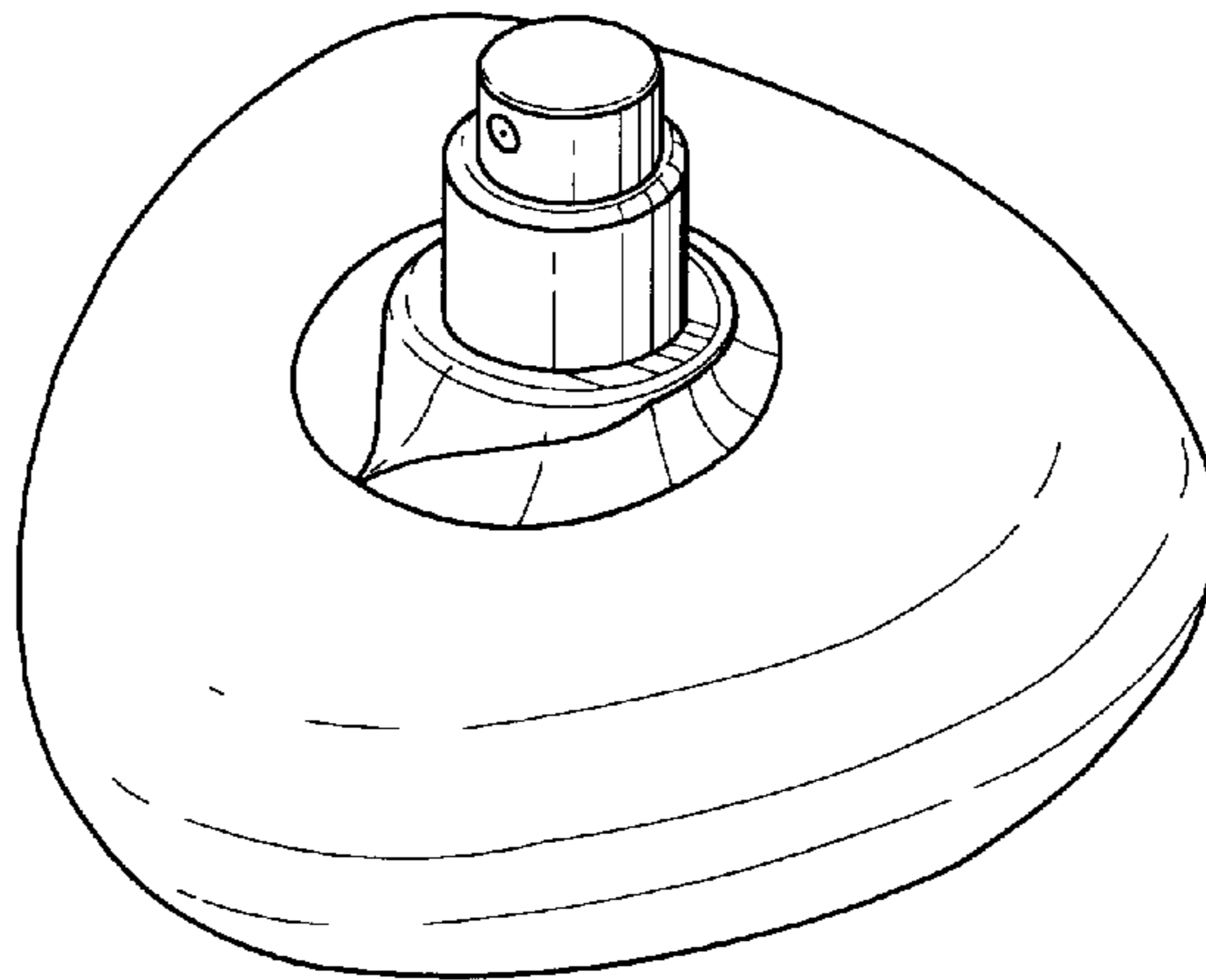


Fig. 8

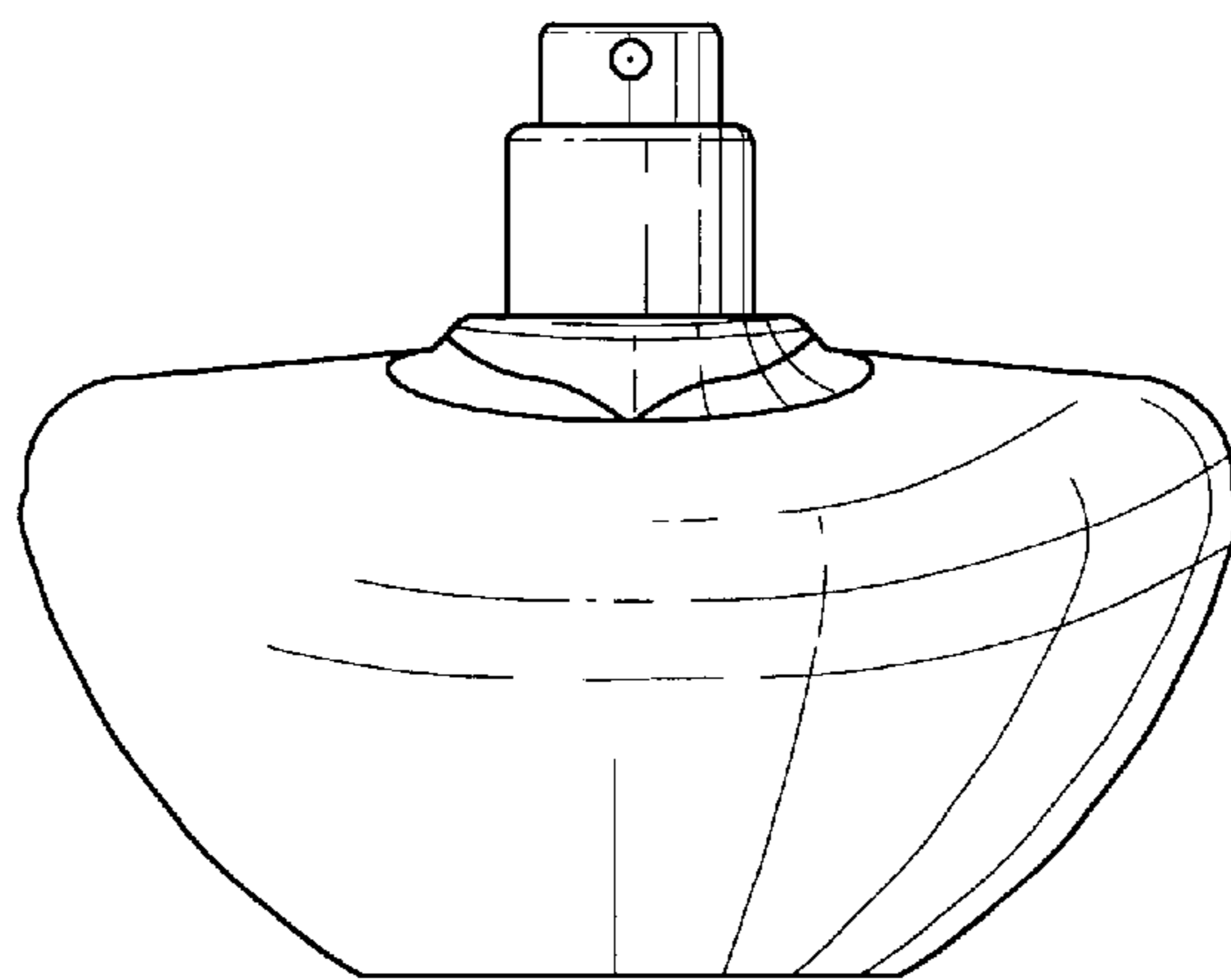


Fig. 9

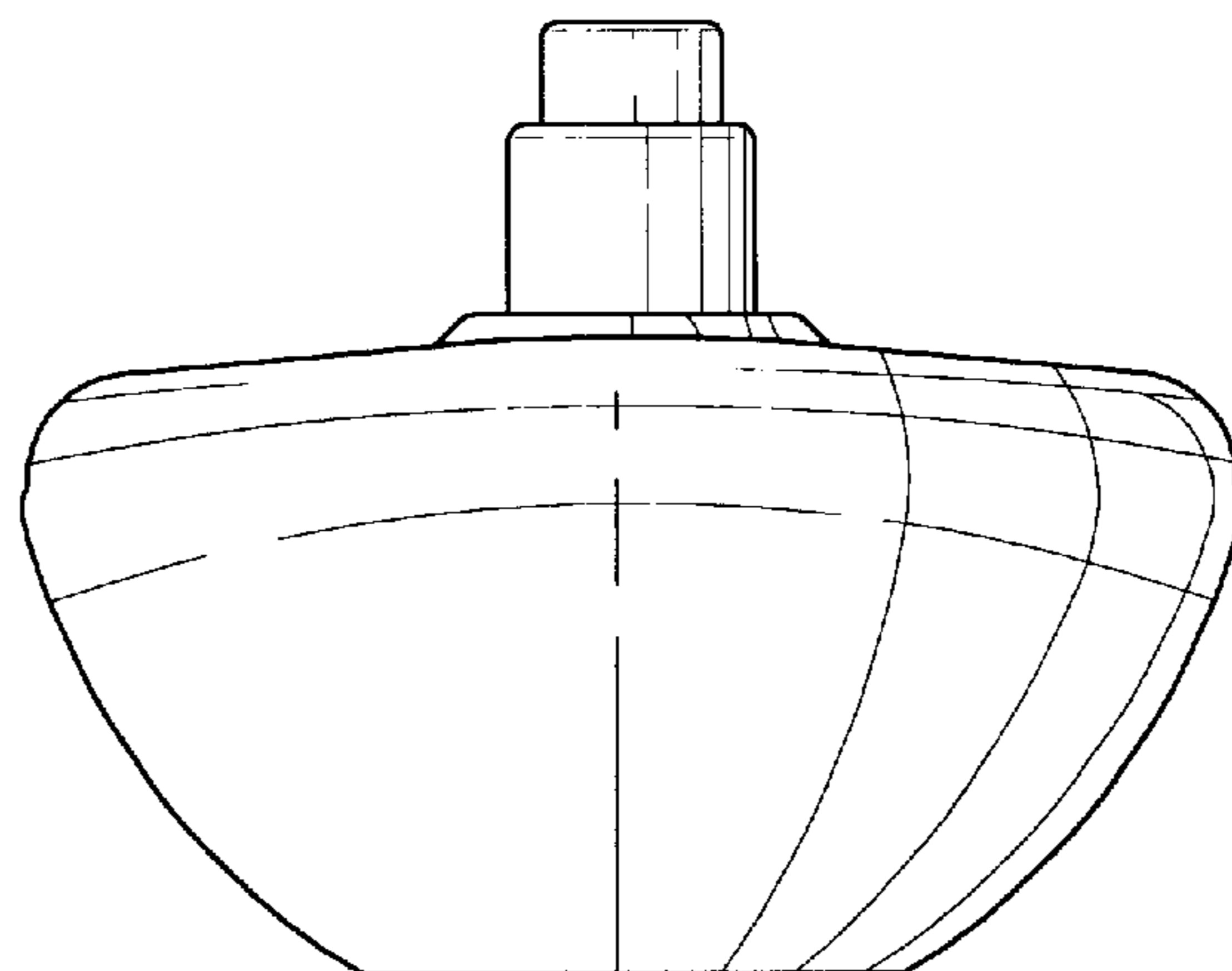


Fig. 10

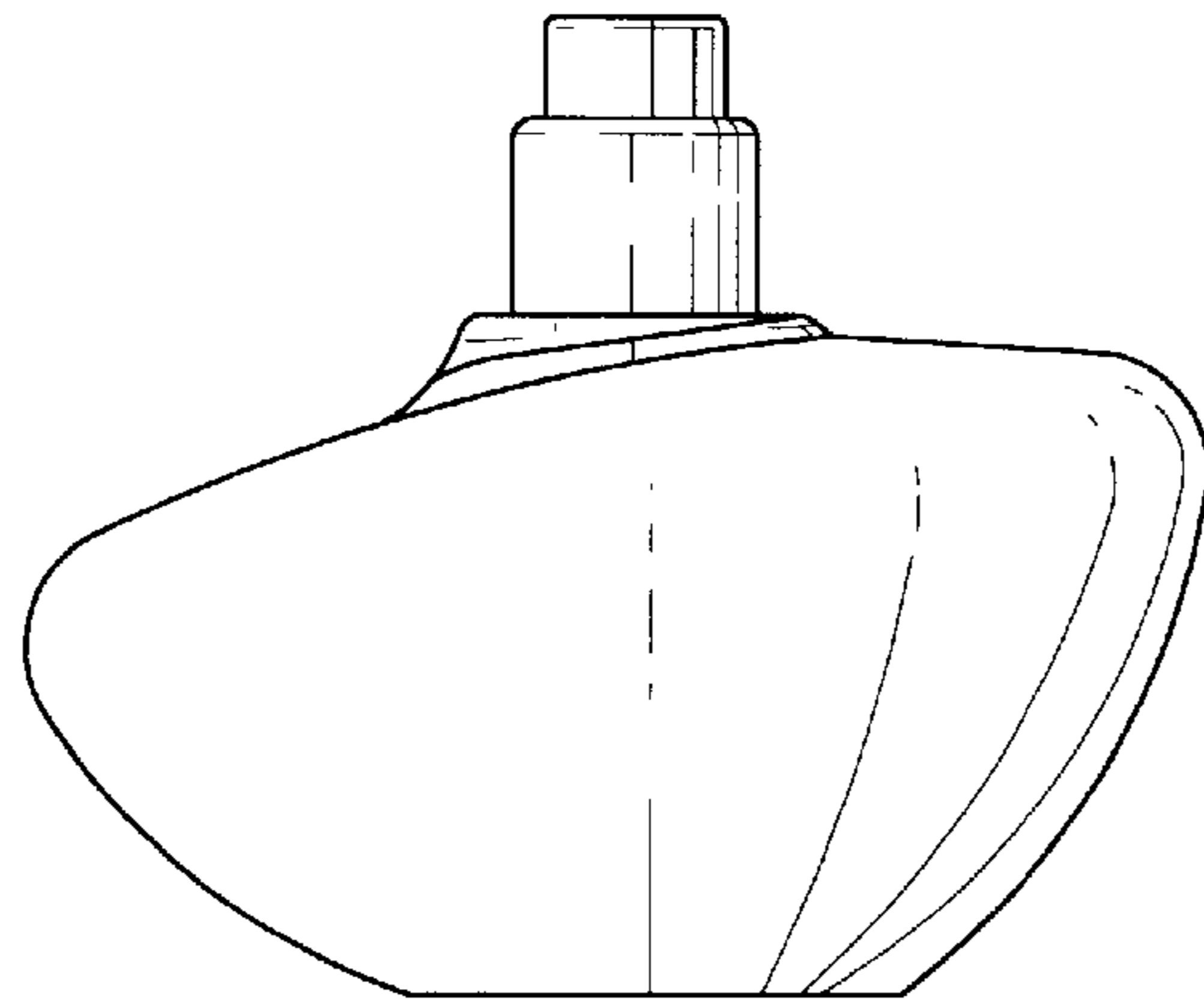


Fig. 11

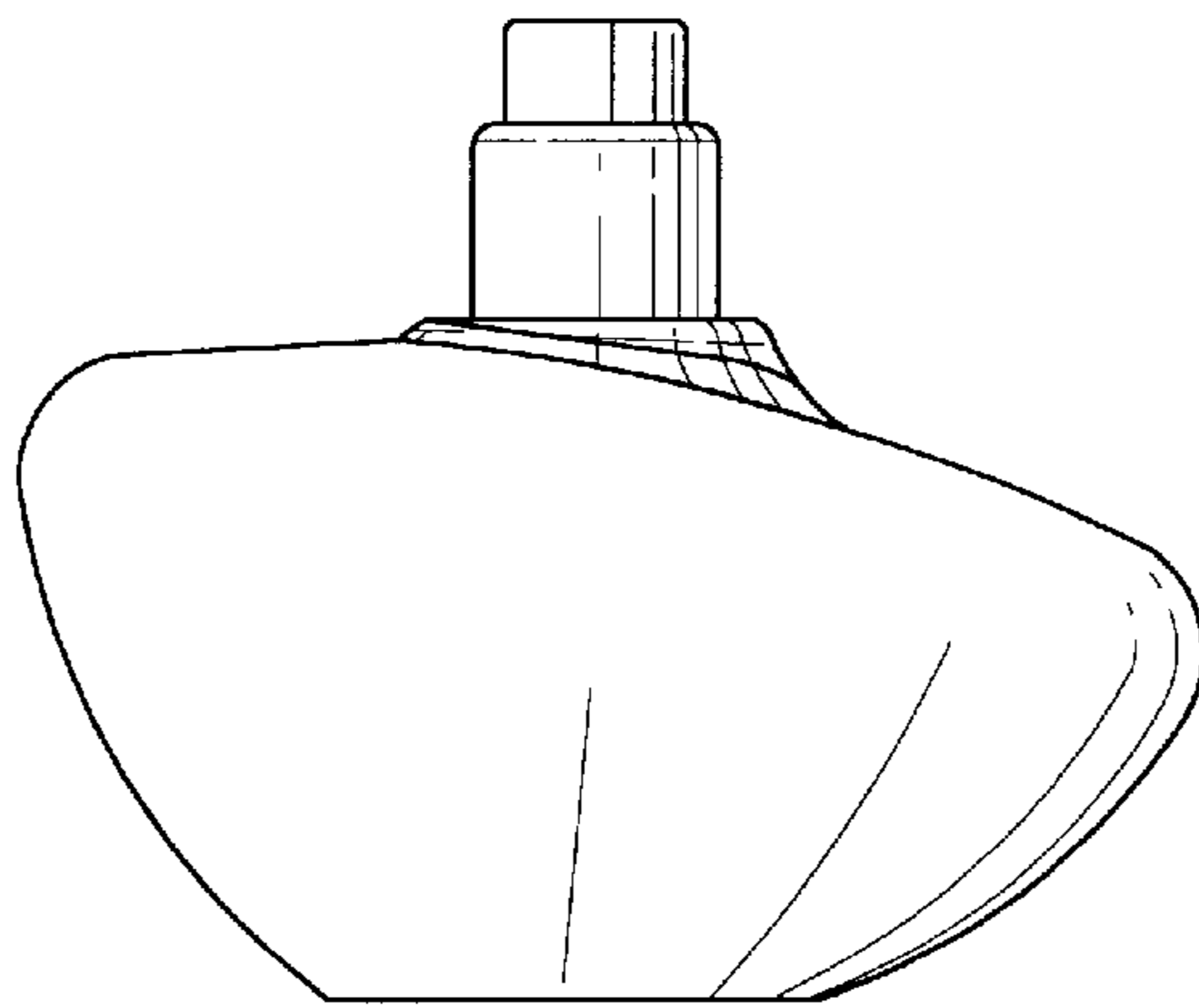


Fig. 12

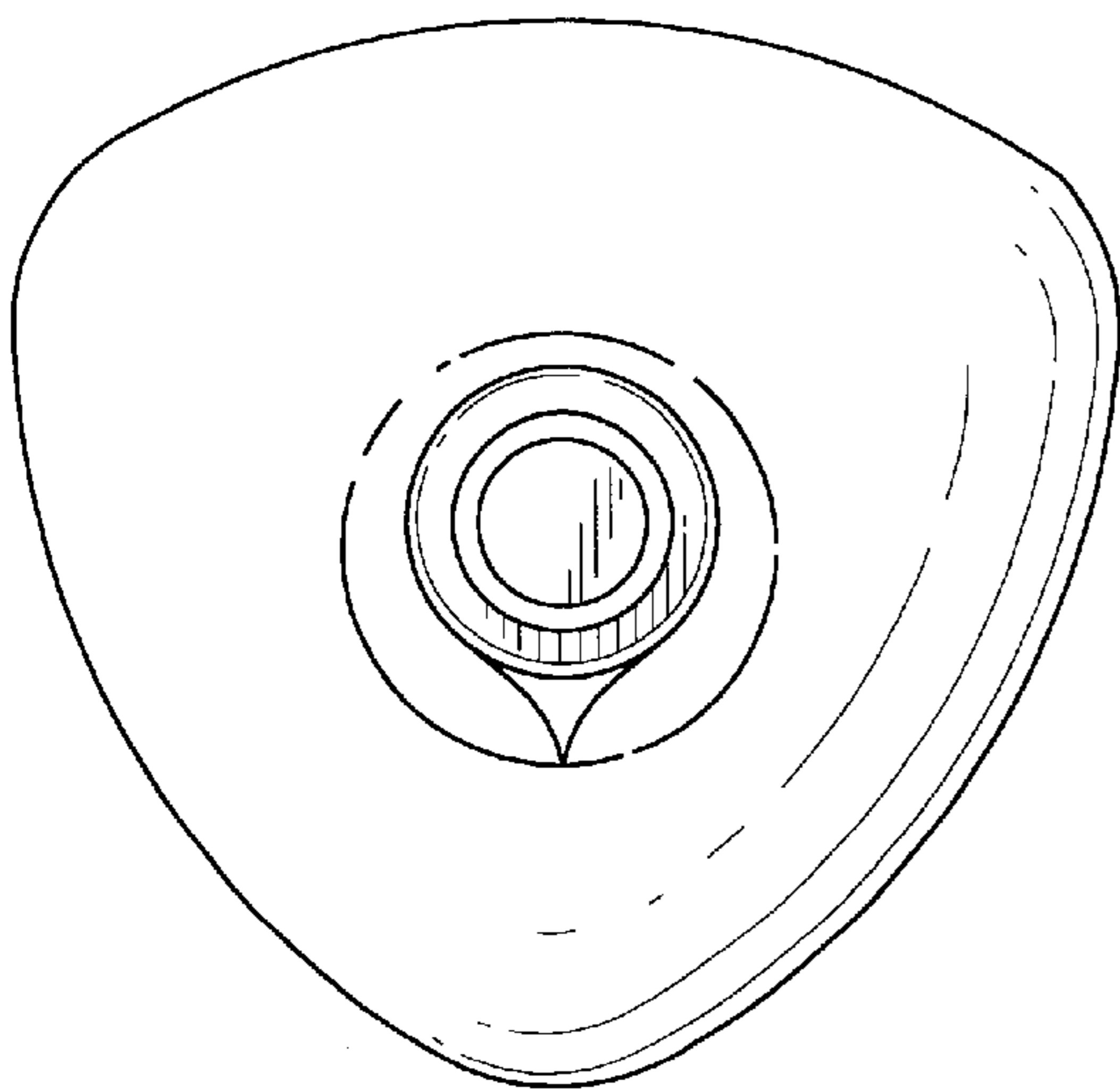


Fig. 13

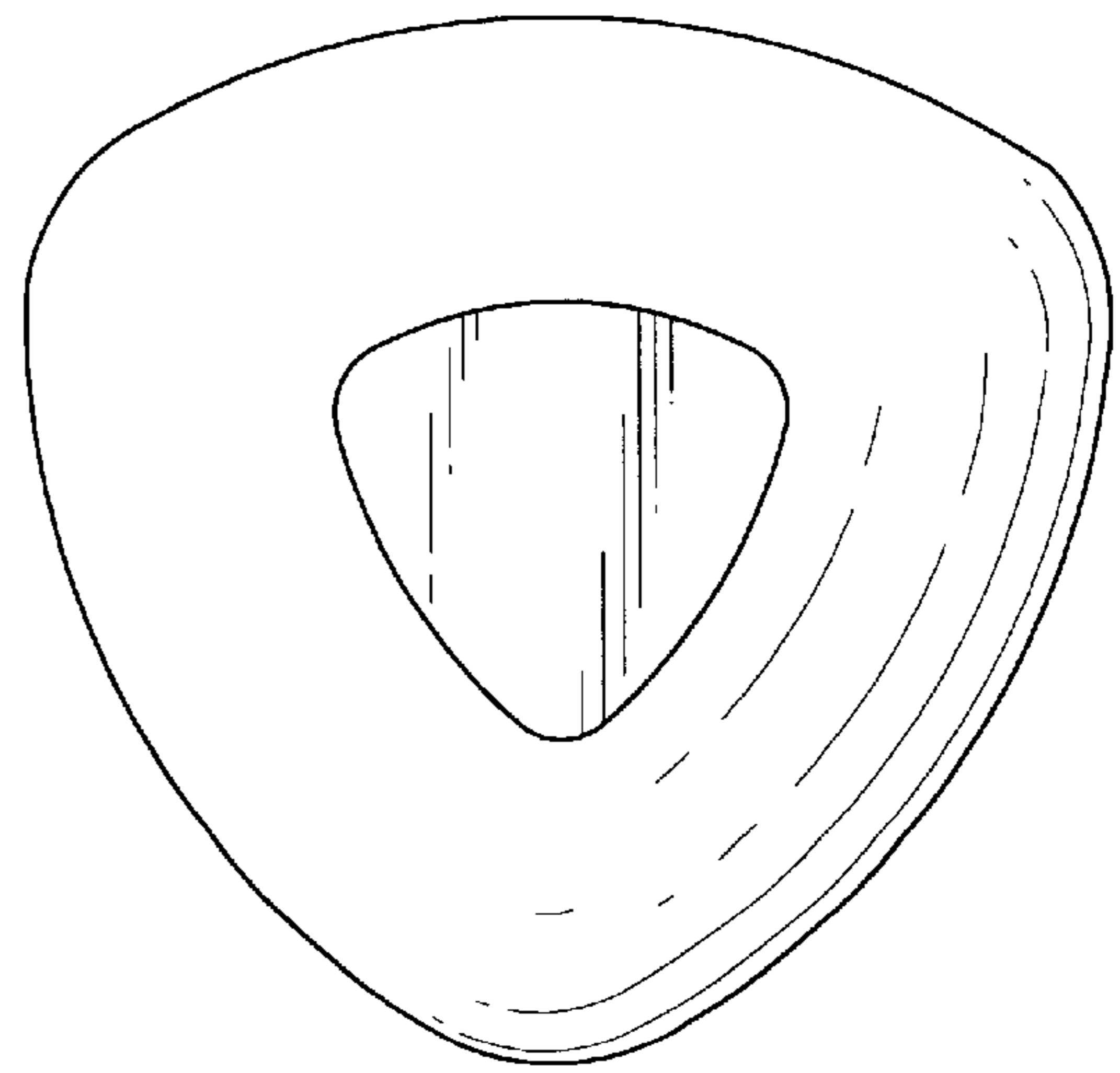


Fig. 14