



US00D468623S

(12) **United States Design Patent**
Ohm et al.

(10) **Patent No.:** **US D468,623 S**

(45) **Date of Patent:** **** Jan. 14, 2003**

(54) **END MOUNTING CAP FOR CLOTHES BAR**

D436,025 S * 1/2001 Ohm et al. D8/376

(75) Inventors: **Patrick L. Ohm**, Mesa, AZ (US); **Rob Hansen**, Scottsdale, AZ (US)

* cited by examiner

(73) Assignee: **Bell Automotive Products, Inc.**,
Scottsdale, AZ (US)

Primary Examiner—Pamela Burgess

(74) *Attorney, Agent, or Firm*—Greenberg Traurig PC

(**) Term: **14 Years**

(57) **CLAIM**

The ornamental design for a end mounting cap for clothes bar, as shown and described.

(21) Appl. No.: **29/156,459**

(22) Filed: **Mar. 1, 2002**

DESCRIPTION

(51) **LOC (7) Cl.** **08-05**

(52) **U.S. Cl.** **D8/367; D8/376; D6/513**

(58) **Field of Search** D8/373, 381, 367,
D8/380, 376, 377; D6/553, 567, 513, 549,
550; 211/88.04, 106.01, 87.01, 13.1, 71.01;
248/200, 205.1, 309.1, 304, 205.4, 214,
261, 262, 217.3, 220.22

FIG. 1 is a perspective view of the end mounting cap for clothes bar, showing a new ornamental design therefor;

FIG. 2 is an elevational view of one side thereof, the other side being the same;

FIG. 3 is a top plan view thereof;

FIG. 4 is a rear elevational view thereof;

FIG. 5 is a bottom plan view thereof; and,

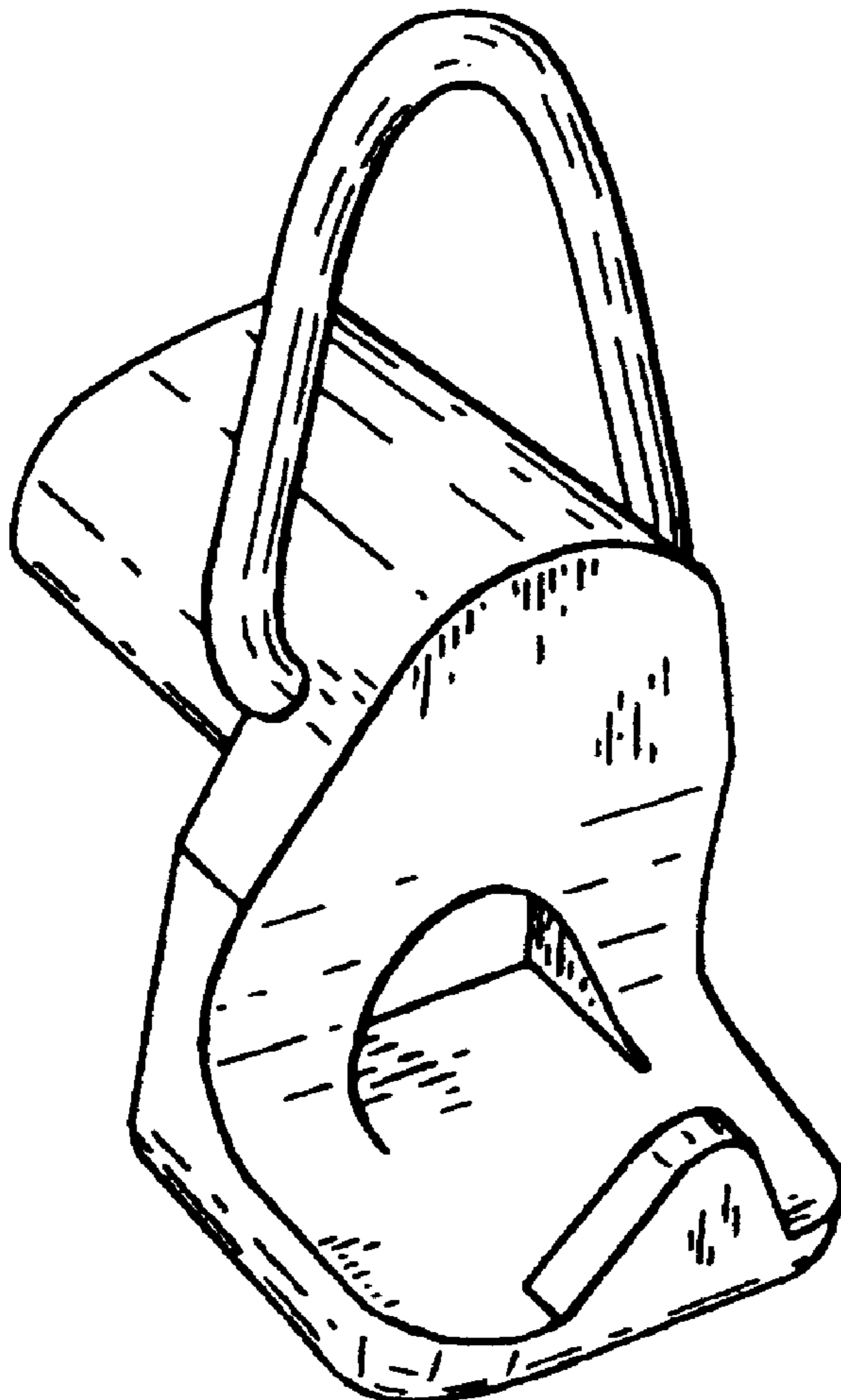
FIG. 6 is a front elevational view thereof.

(56) **References Cited**

U.S. PATENT DOCUMENTS

4,405,110 A * 9/1983 Gibbons 248/220.22

1 Claim, 1 Drawing Sheet



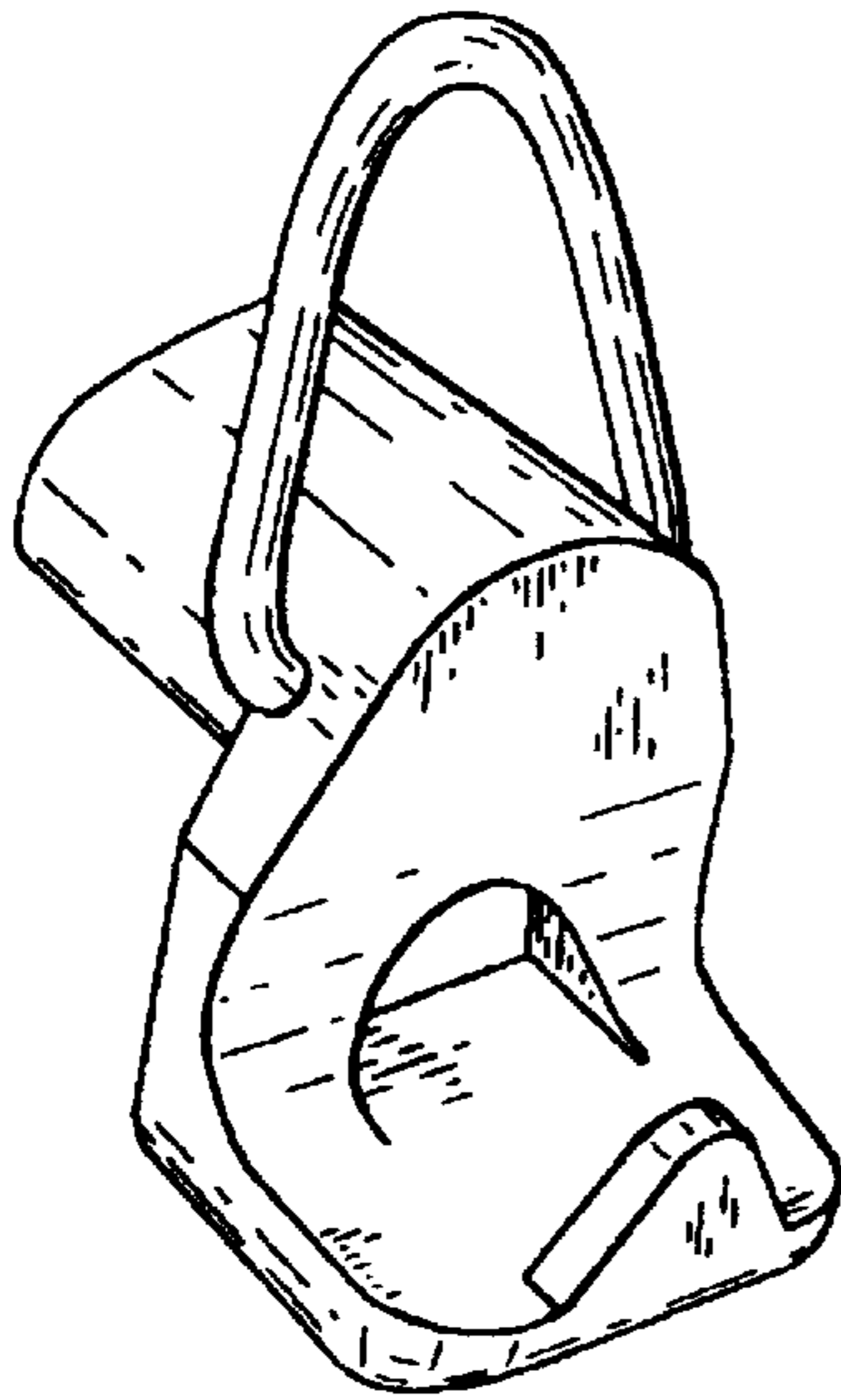


Fig.1

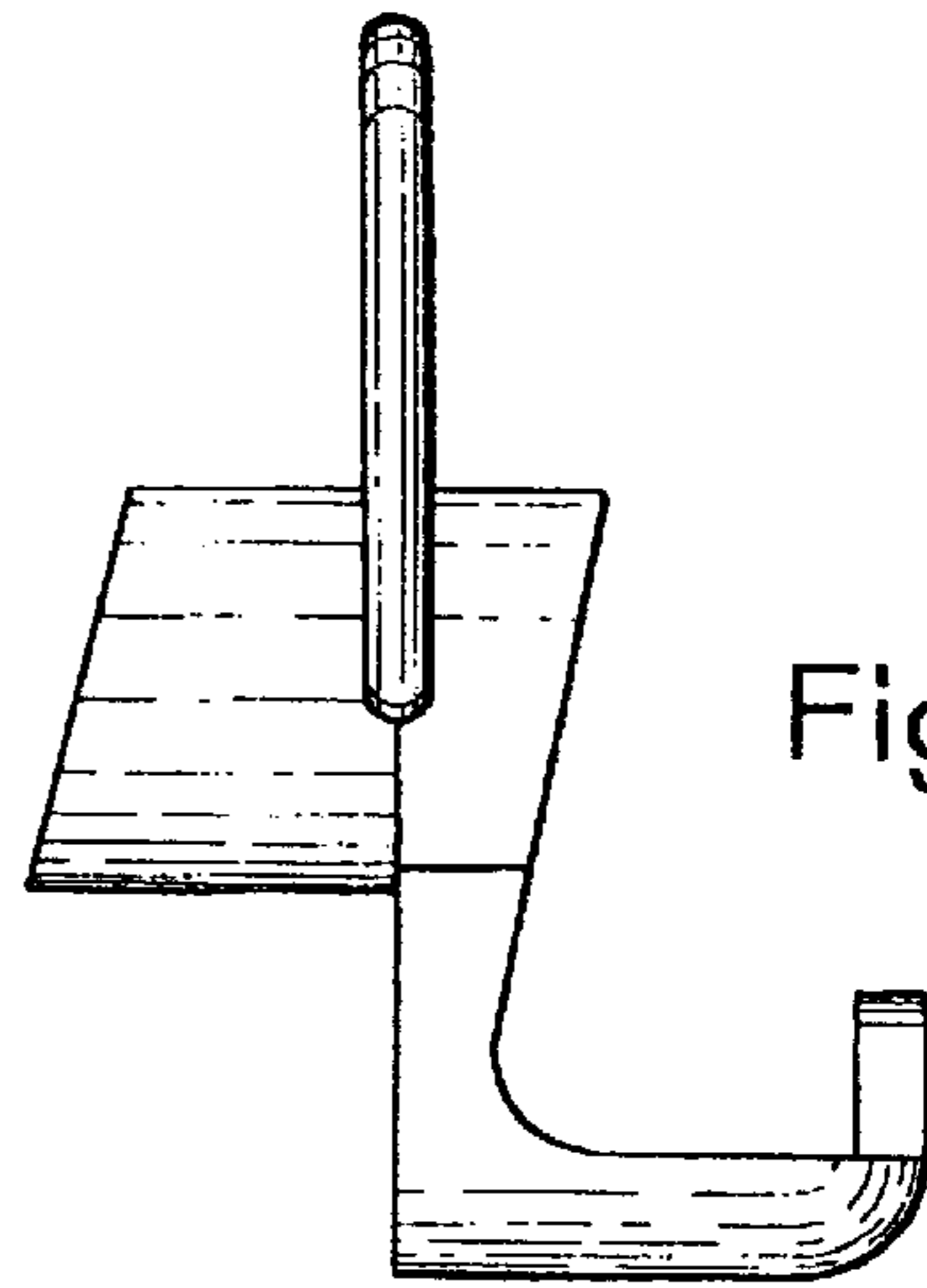


Fig.2

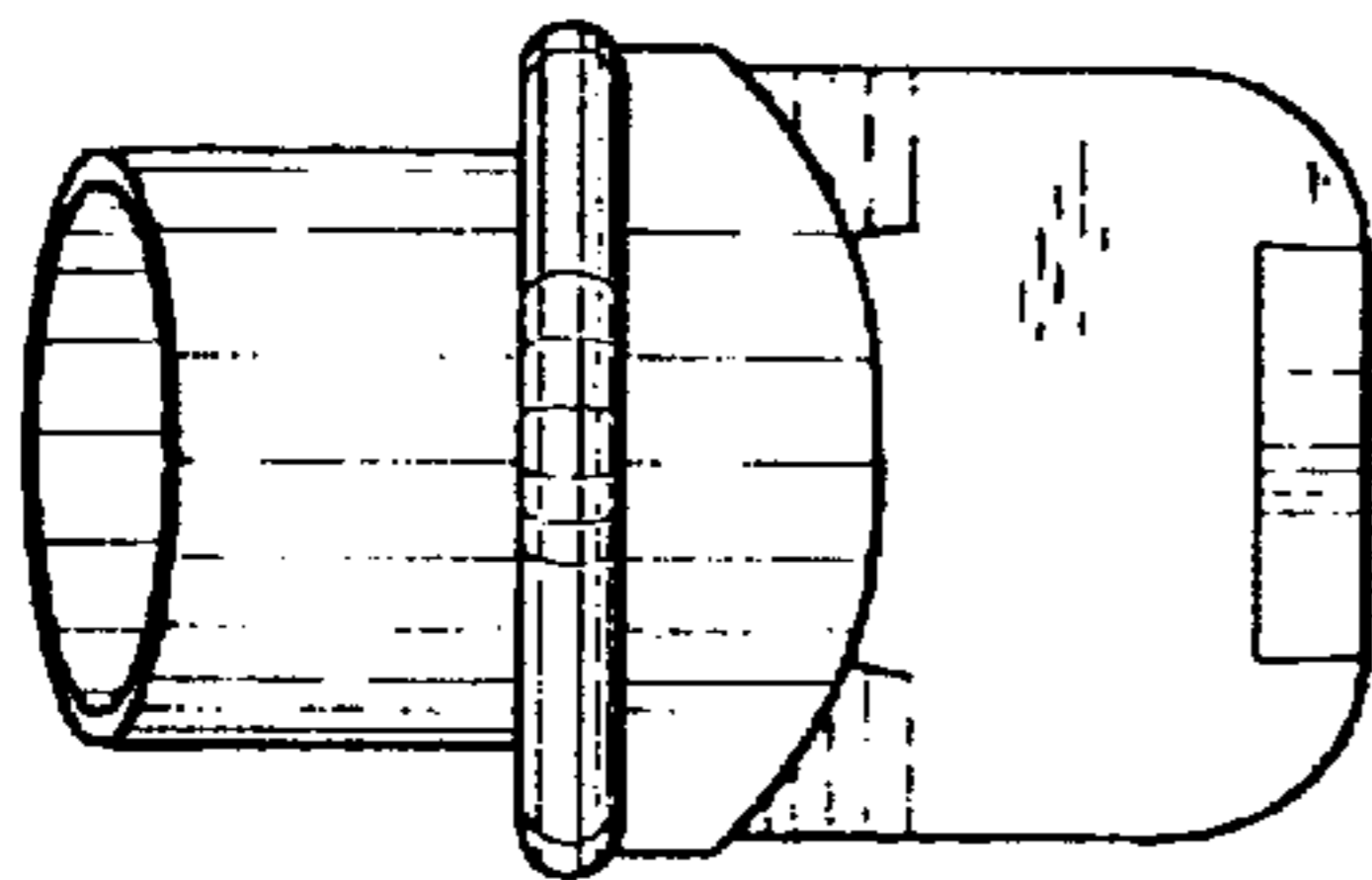


Fig.3

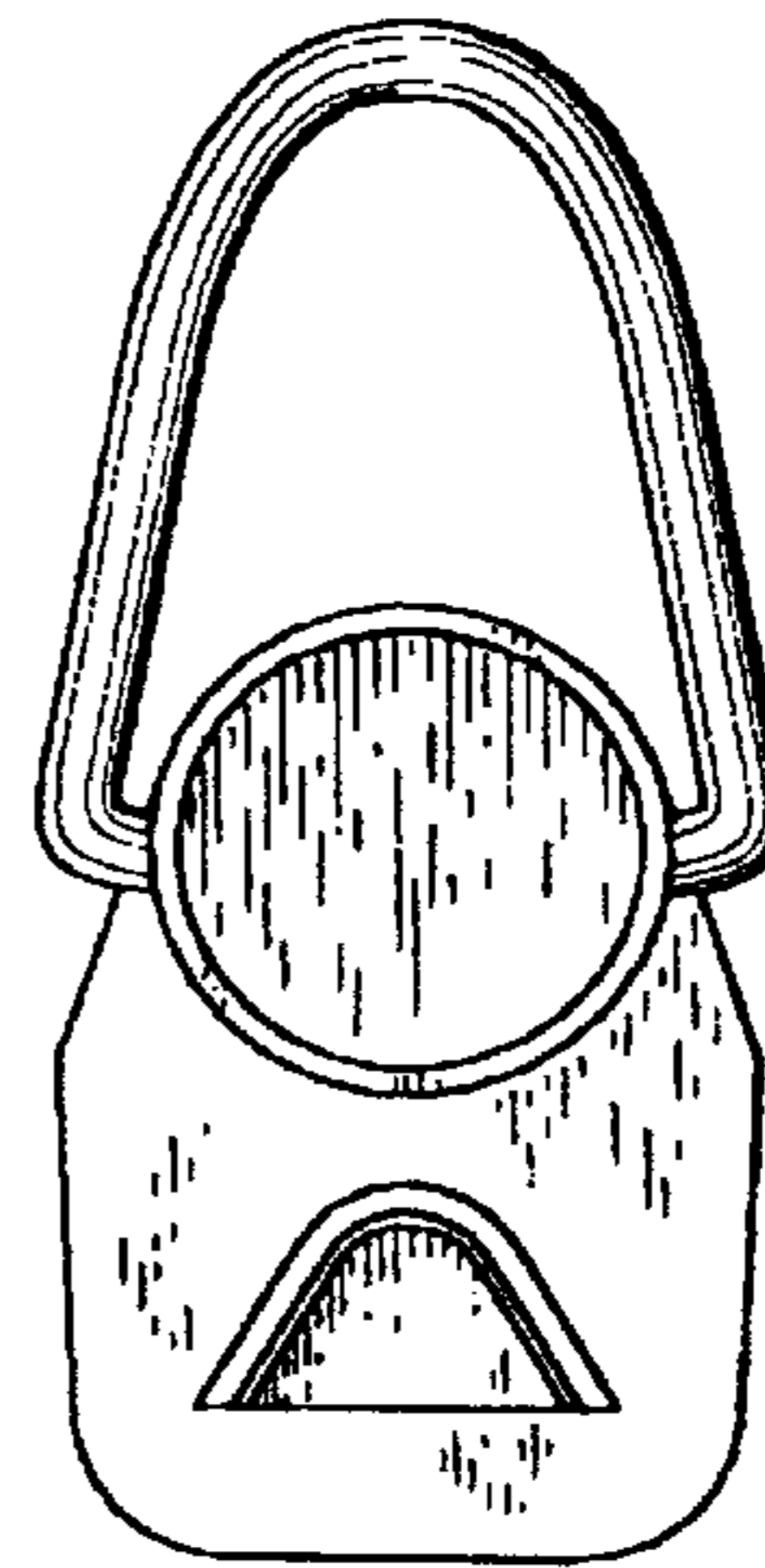


Fig.4

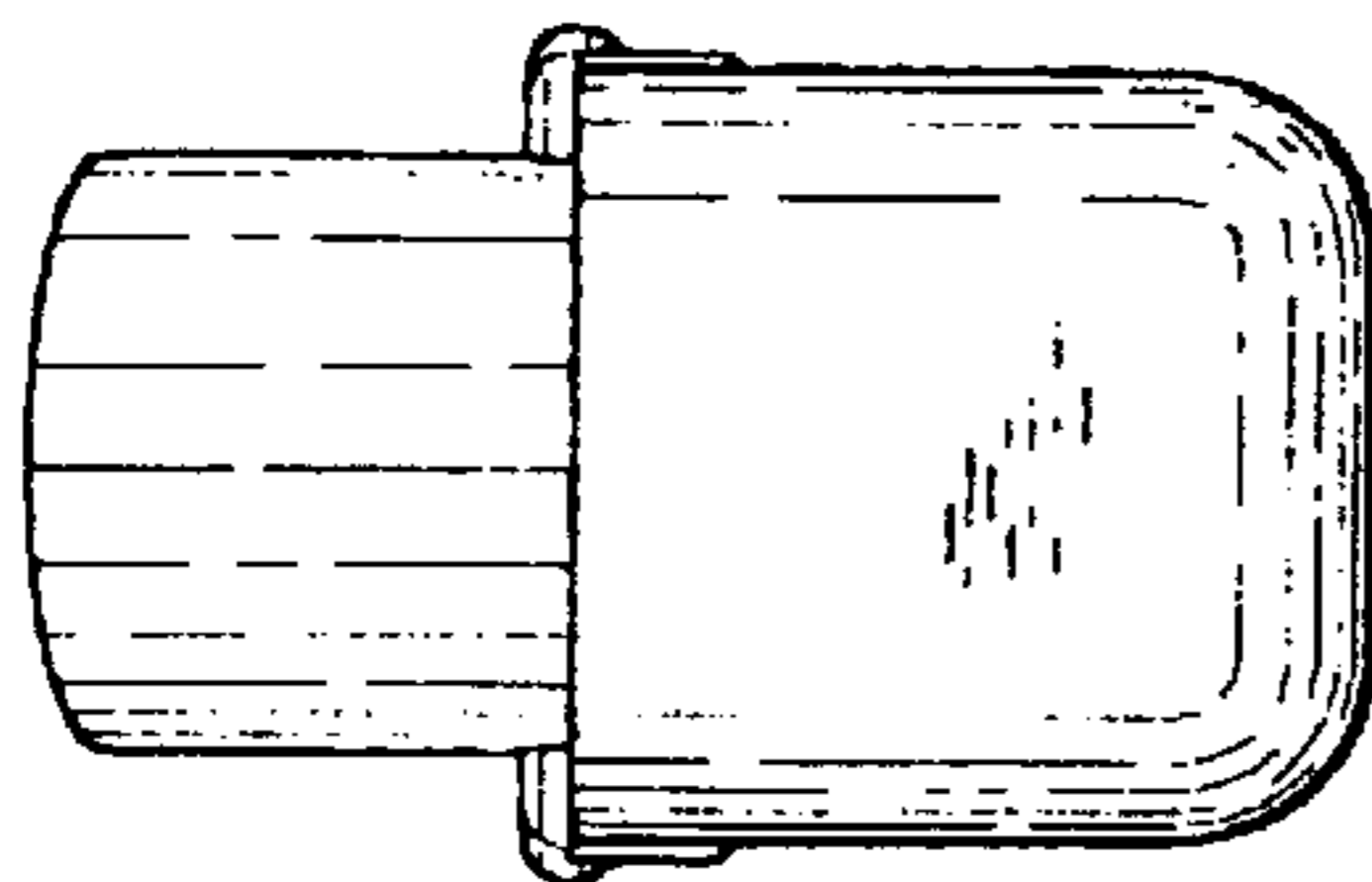


Fig.5

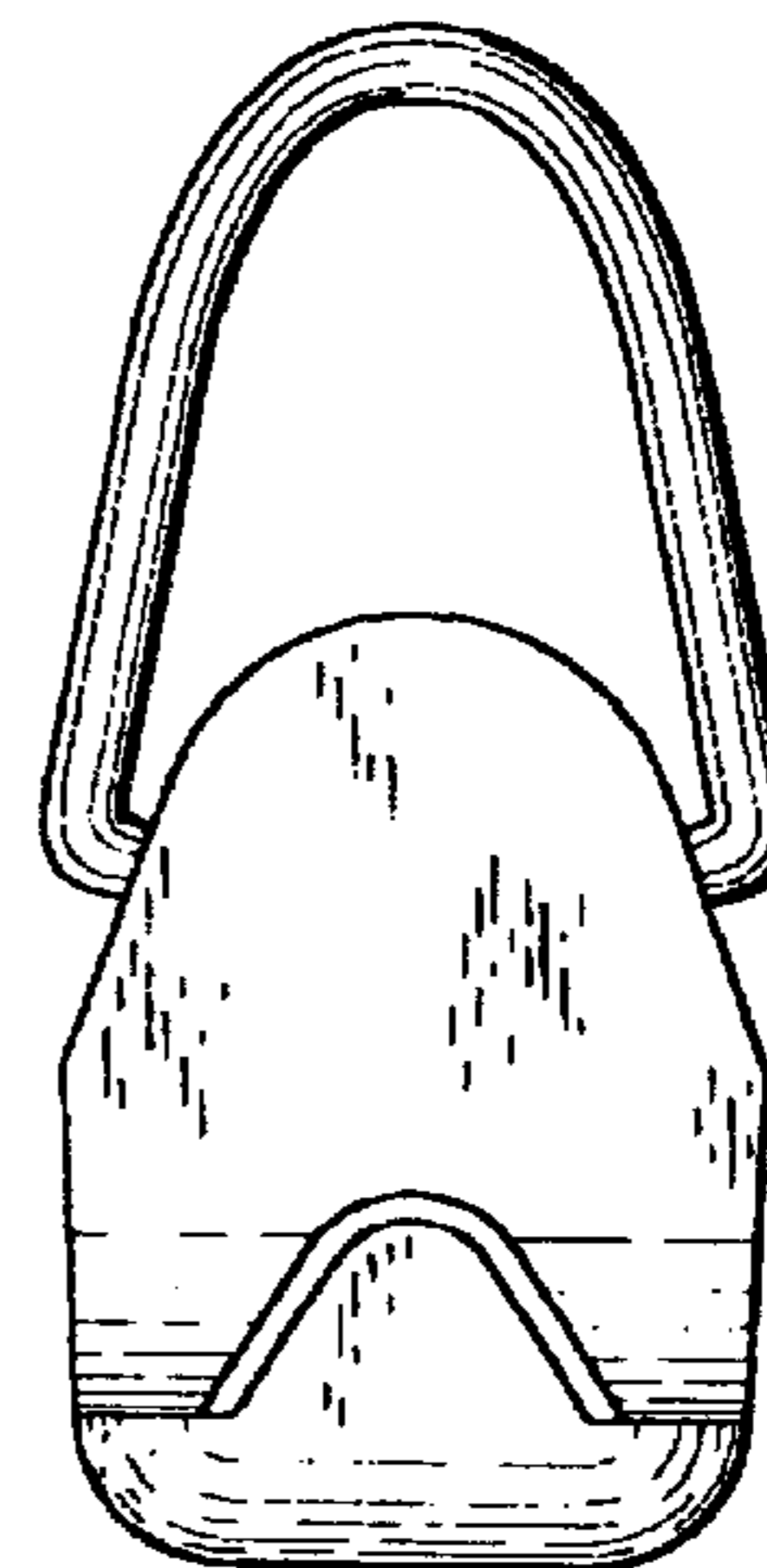


Fig.6