



US00D468621S

(12) **United States Design Patent**  
**Farrar et al.**

(10) **Patent No.: US D468,621 S**

(45) **Date of Patent: \*\* Jan. 14, 2003**

(54) **SECURITY DEVICE FOR AN INFORMATION STORAGE MEDIA HOLDER**

(75) Inventors: **Peter Antony Farrar**, Menston (GB);  
**Anthony Henry Joseph Fraser**, Corby (GB); **Stefan Alexander Pijanowski**, Oundle (GB)

(73) Assignee: **MeadeWestavaco Corporation**, Stamford, CT (US)

(\*\*) Term: **14 Years**

(21) Appl. No.: **29/142,204**

(22) Filed: **May 22, 2001**

(30) **Foreign Application Priority Data**

Nov. 22, 2000	(GB)	.....	2097611
Nov. 22, 2000	(GB)	.....	2097612
Nov. 22, 2000	(GB)	.....	2097613
Nov. 22, 2000	(GB)	.....	2097614

(51) **LOC (7) Cl.** ..... **08-07**

(52) **U.S. Cl.** ..... **D8/339; D8/330; D8/331; D8/343**

(58) **Field of Search** ..... D3/201, 218; D8/99, D8/331, 343, 382, 339, 330; D6/407, 626-635; D14/432; D19/26, 27, 32; 70/57.1, 58; 109/29; 206/1.5, 307.1, 308.1, 308.2, 308.3, 309, 311, 312, 387.11, 387.13, 387.15; 360/98.08; 369/37, 75.2, 291, 263; 379/355

(56) **References Cited**

**U.S. PATENT DOCUMENTS**

D243,062	S	*	1/1977	Malloy	.....	D8/382
4,303,159	A	*	12/1981	Stone et al.	.....	206/387.14
D268,644	S	*	4/1983	Miller	.....	D8/343
4,469,225	A	*	9/1984	Takahashi	.....	206/387.1
D284,547	S	*	7/1986	Spencer	.....	D8/373
4,805,769	A	*	2/1989	Soltis et al.	.....	206/308.2
4,942,831	A	*	7/1990	Tel	.....	109/29
D329,046	S	*	9/1992	Westland	.....	D14/114
D333,970	S	*	3/1993	Starmer	.....	D8/331
5,211,283	A	*	5/1993	Weisburn et al.	.....	206/1.5

5,297,672	A	*	3/1994	MacTavish	.....	206/308.2
5,444,690	A	*	8/1995	Childers, III et al.	.....	369/263
5,680,782	A	*	10/1997	Komatsu et al.	.....	70/57.1
D391,139	S	*	2/1998	Gilliam	.....	D8/331
5,762,187	A	*	6/1998	Belden, Jr. et al.	.....	206/308.2
5,782,350	A	*	7/1998	Weisburn et al.	.....	206/308.2
D402,177	S	*	12/1998	Glesser	.....	D8/99
6,053,017	A	*	4/2000	Ling	.....	70/58
6,115,211	A	*	9/2000	Schick	.....	360/98.08
D436,594	S	*	1/2001	Ling	.....	D14/432
6,182,480	B1	*	2/2001	Kim	.....	70/57.1
6,202,454	B1	*	3/2001	Nakasuji	.....	70/57.1

\* cited by examiner

*Primary Examiner*—Celia Murphy

(74) *Attorney, Agent, or Firm*—Donald L. Bowman; Richard L. Schmalz

(57) **CLAIM**

We claim the ornamental design for a security device for an information storage media holder, as shown and described.

**DESCRIPTION**

The invention comprises an ornamental design for a removable security device that is usable in an information storage media holder. The ornamental nature of the security device as it is used in such a media holder is exemplified by the accompanying figures.

FIG. 1 is a perspective view of a security device for an information storage media holder, showing our new design; FIG. 2 is an enlarged top plan view thereof;

FIG. 3 is a right side elevational view of FIG. 2, the left side being a mirror image;

FIG. 4 is a further enlarged front elevational view of FIG. 1;

FIG. 5 is a rear elevational view of FIG. 4;

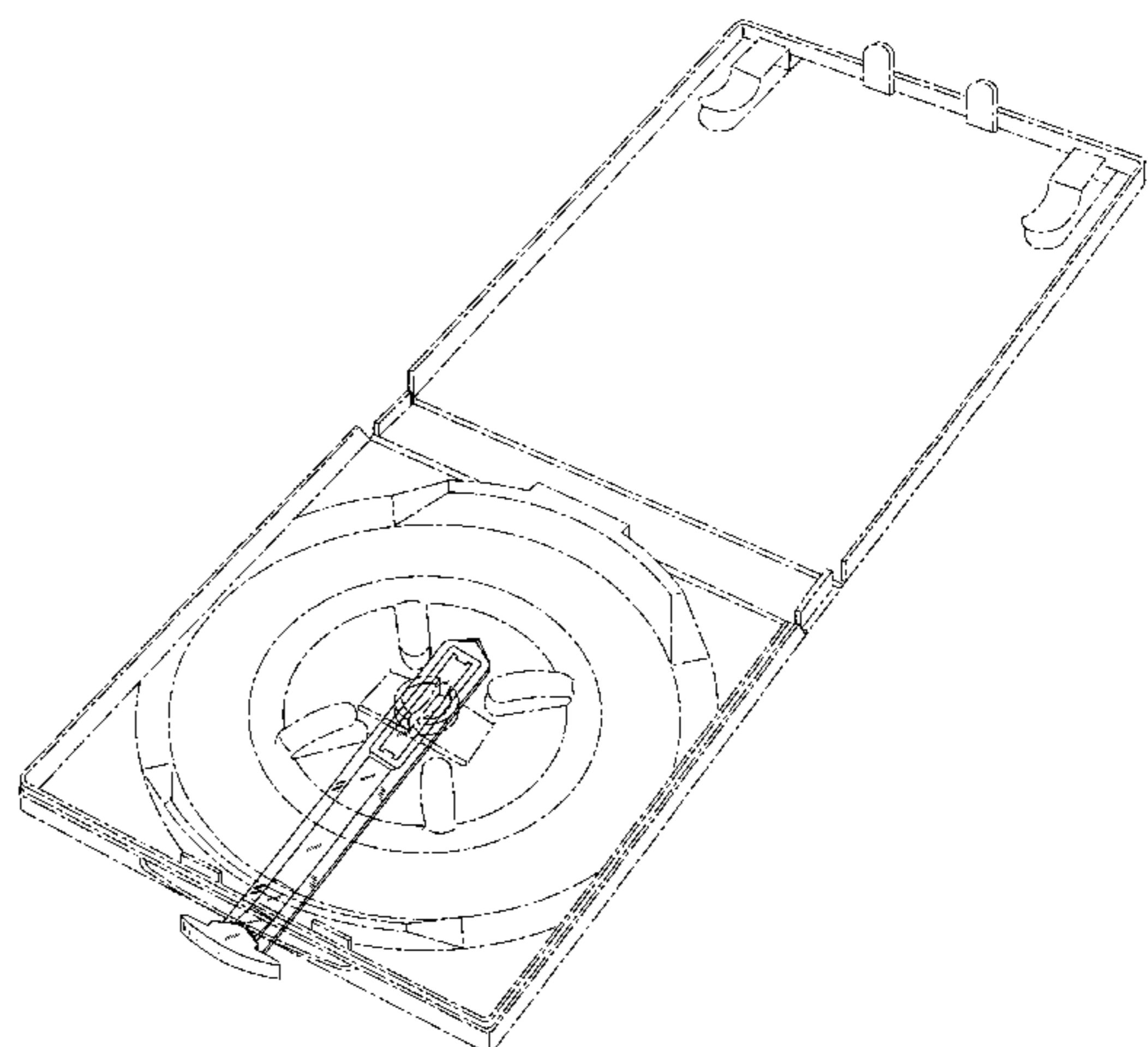
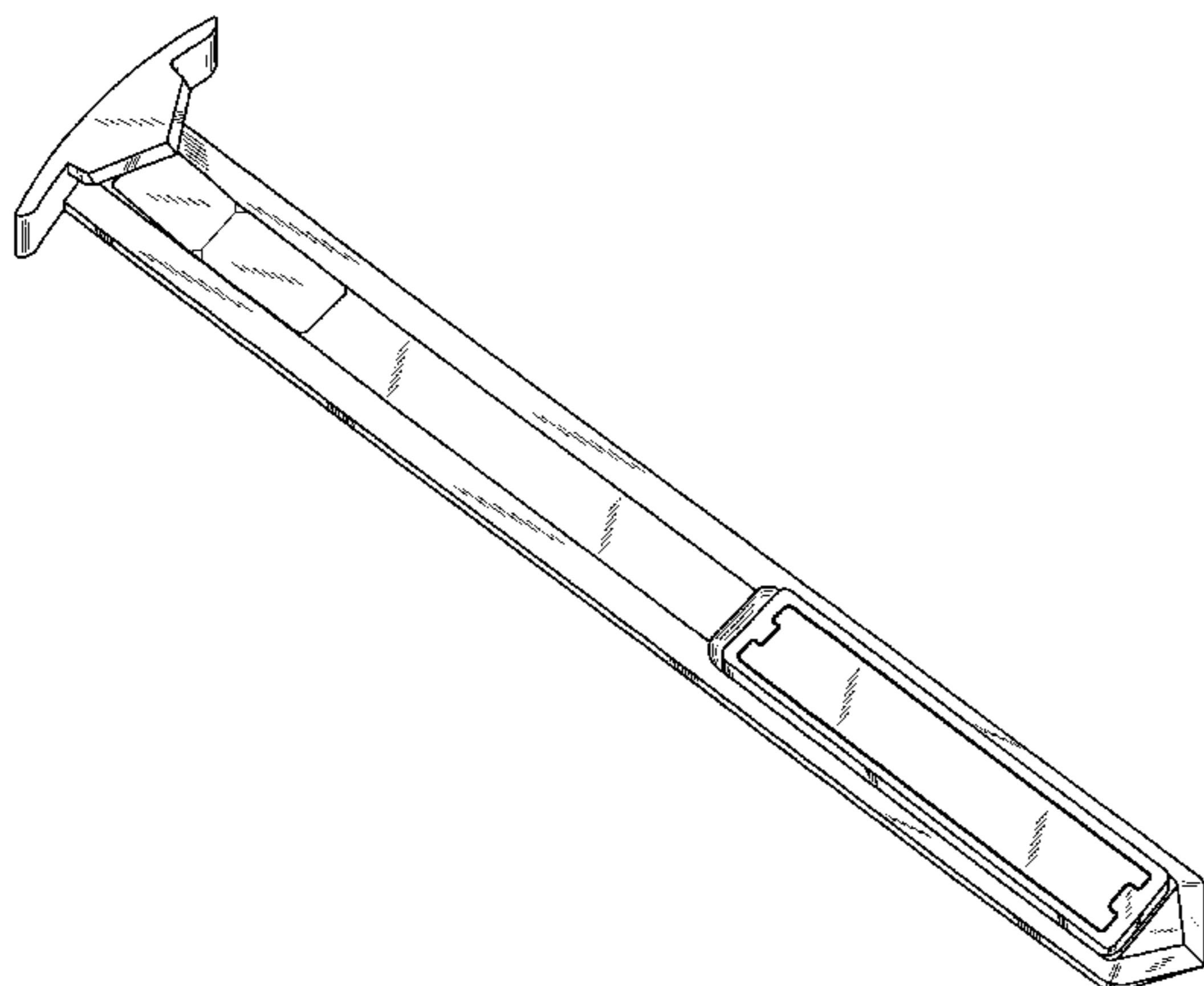
FIG. 6 is a bottom plan view of FIG. 2;

FIG. 7 is a reduced perspective view thereof showing the claimed security device in an information storage media holder;

FIG. 8 is an enlarged perspective view of FIG. 7 in a closed position; and,

FIG. 9 is a front elevational view of FIG. 8; the broken lines shown in FIGS. 7-9 illustrating the environment in which the design resides, but forming no part of the claim.

**1 Claim, 5 Drawing Sheets**



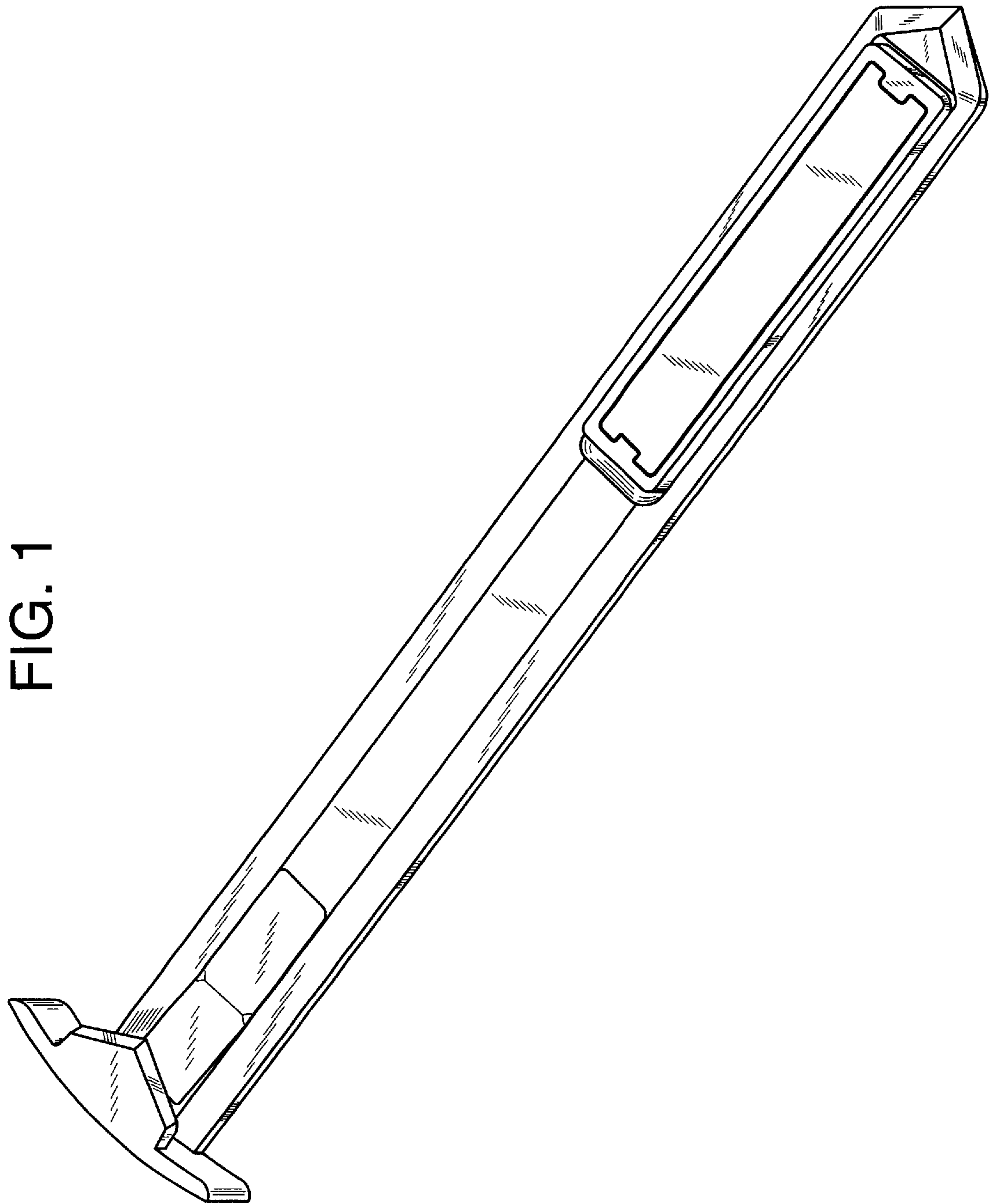


FIG. 1

FIG. 2

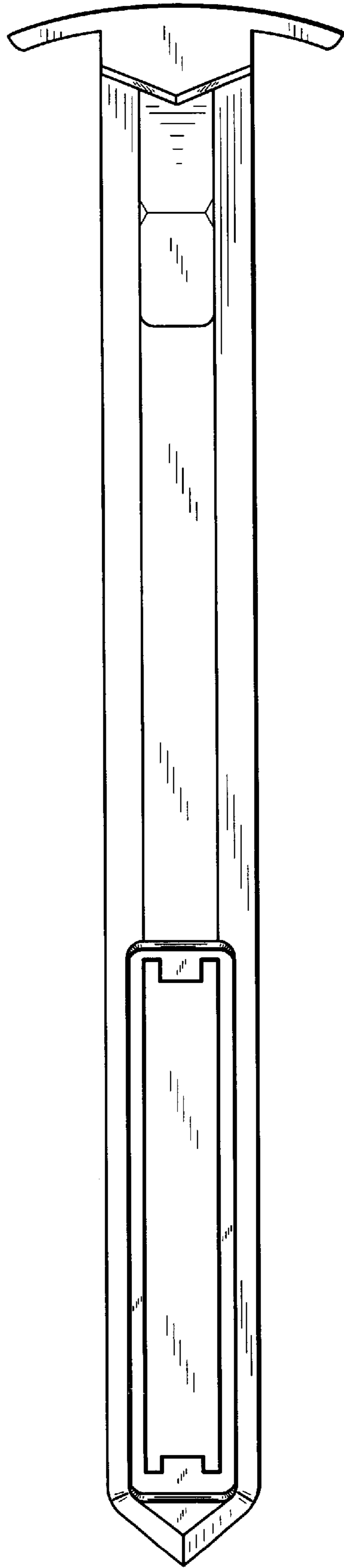


FIG. 3

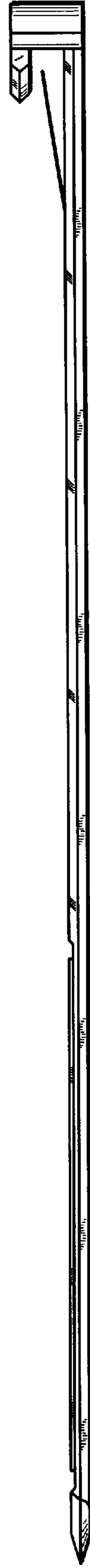


FIG. 4



FIG. 5

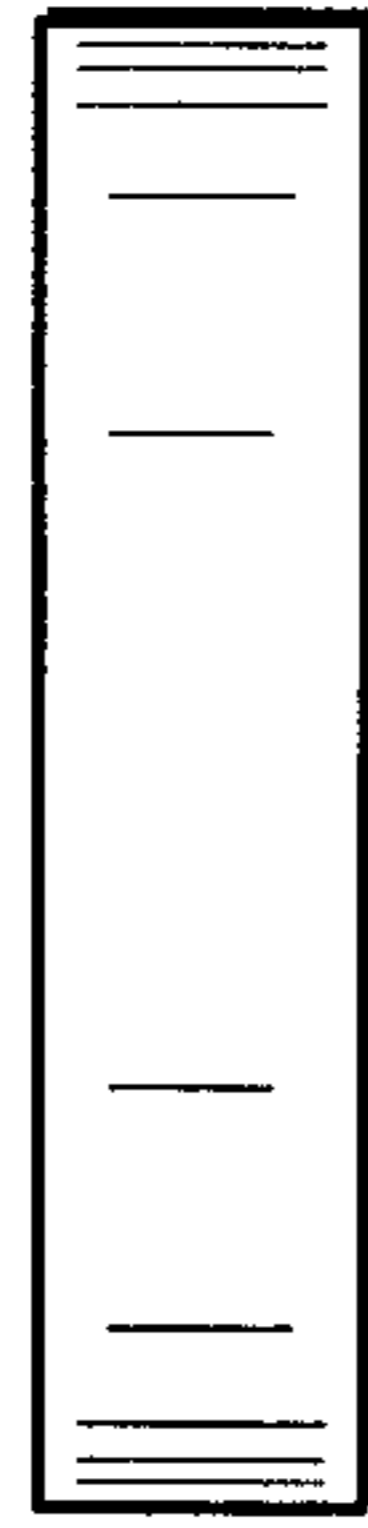
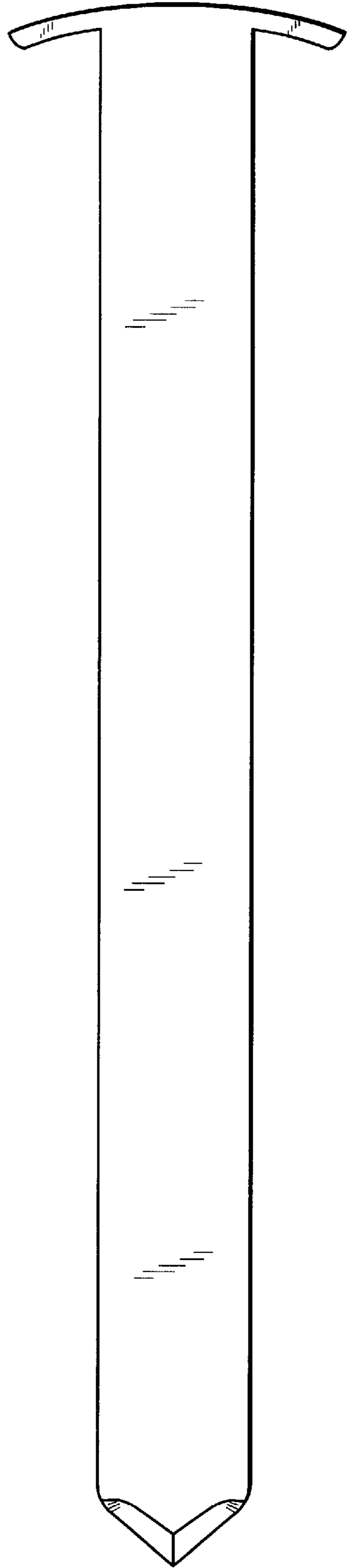


FIG. 6



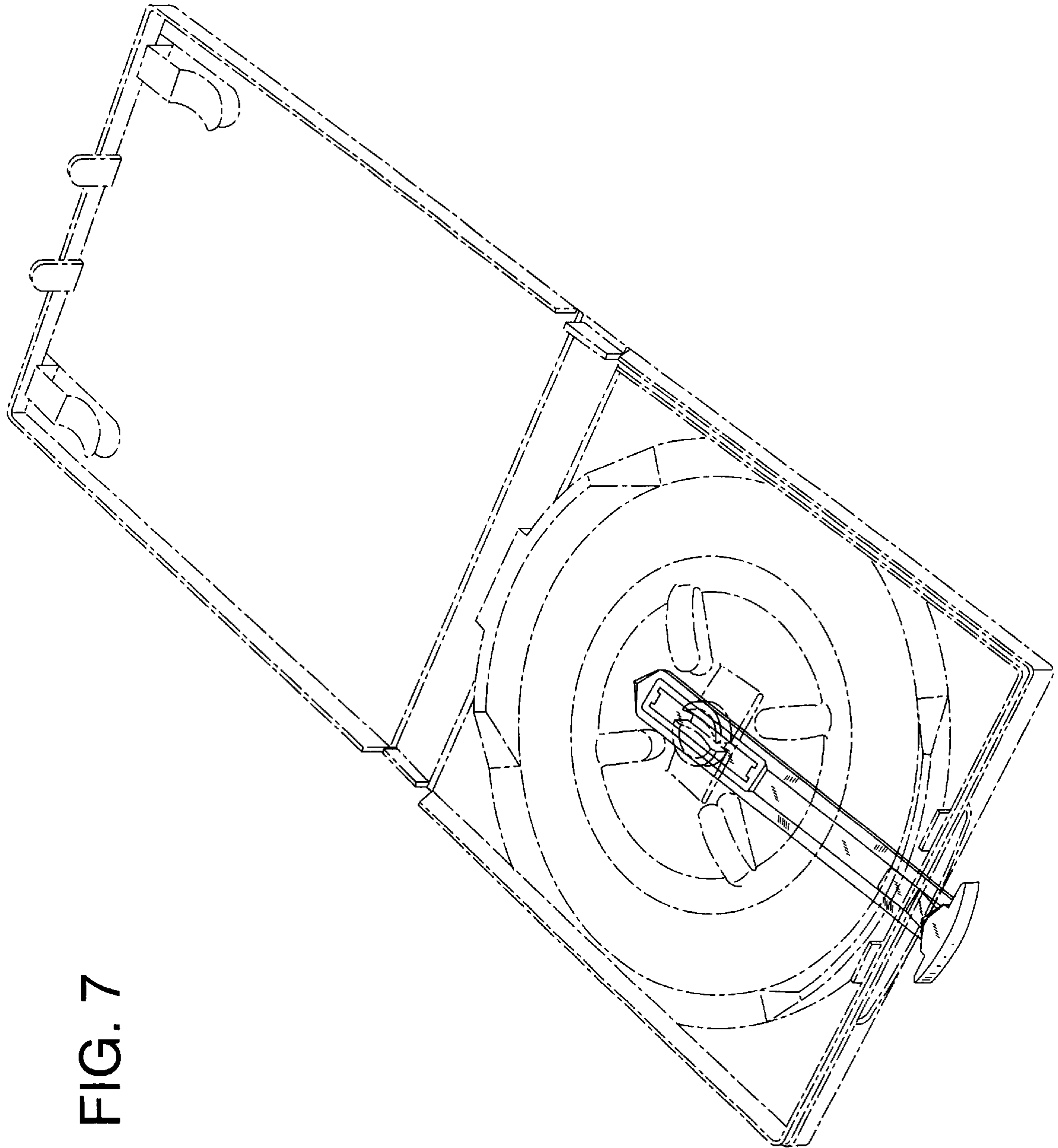


FIG. 7

FIG. 8

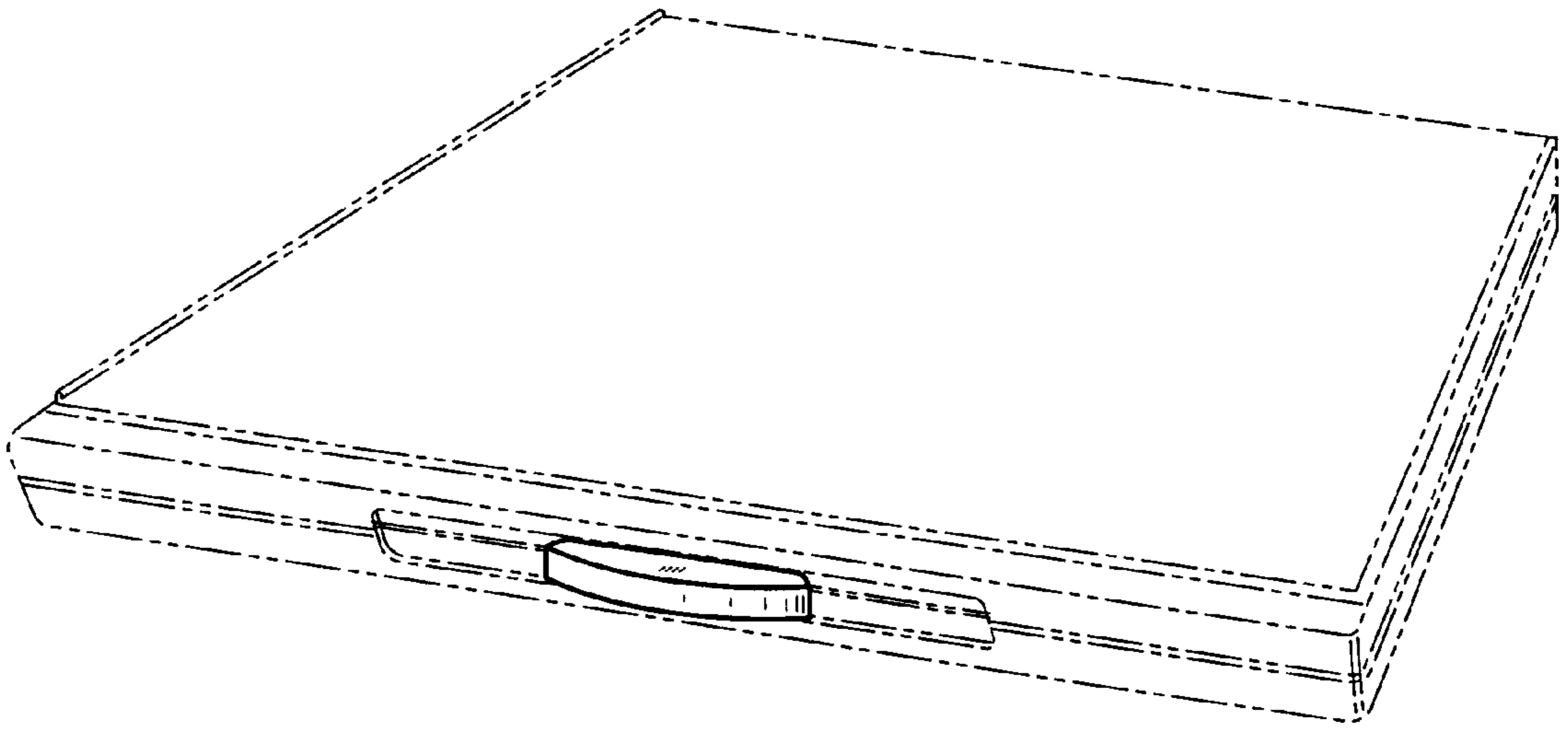


FIG. 9

