



US00D468620S

(12) **United States Design Patent**  
**Lee**

(10) **Patent No.:** **US D468,620 S**

(45) **Date of Patent:** **\*\* Jan. 14, 2003**

(54) **AUTOMOBILE DOOR LOCK KNOB**

(76) Inventor: **Cheng-Yu Lee**, No. 140, I Lin Rd., Jen T Village, Jen Der Shiang, Tainan Hsien (TW)

(\*\*) Term: **14 Years**

(21) Appl. No.: **29/163,547**

(22) Filed: **Jul. 9, 2002**

(51) **LOC (7) Cl.** ..... **08-06**

(52) **U.S. Cl.** ..... **D8/305; D8/307; D21/615**

(58) **Field of Search** ..... D8/300, 305, 307, D8/338, 341; D21/615, 659; 70/181; 292/347; 280/655; 16/110.1, 412, 414, 415, 416, 417, 441

(56) **References Cited**

**U.S. PATENT DOCUMENTS**

2,316,918	A	*	4/1943	Wallace	.....	16/417
2,512,440	A	*	6/1950	Rook	.....	16/414
D168,425	S	*	12/1952	Schumann	.....	D8/341
2,855,773	A	*	10/1958	Evans	.....	70/181

D211,699	S	*	7/1968	Perfit	.....	D8/305
3,408,836	A	*	11/1968	Trammell, Jr.	.....	292/347
D338,506	S	*	8/1993	Lee	.....	D21/615
D407,898	S	*	4/1999	Pulvino	.....	D21/615
D442,845	S	*	5/2001	Iacovelli	.....	D8/307

\* cited by examiner

*Primary Examiner*—B. J. Bullock

(74) *Attorney, Agent, or Firm*—Rosenberg, Klein & Lee

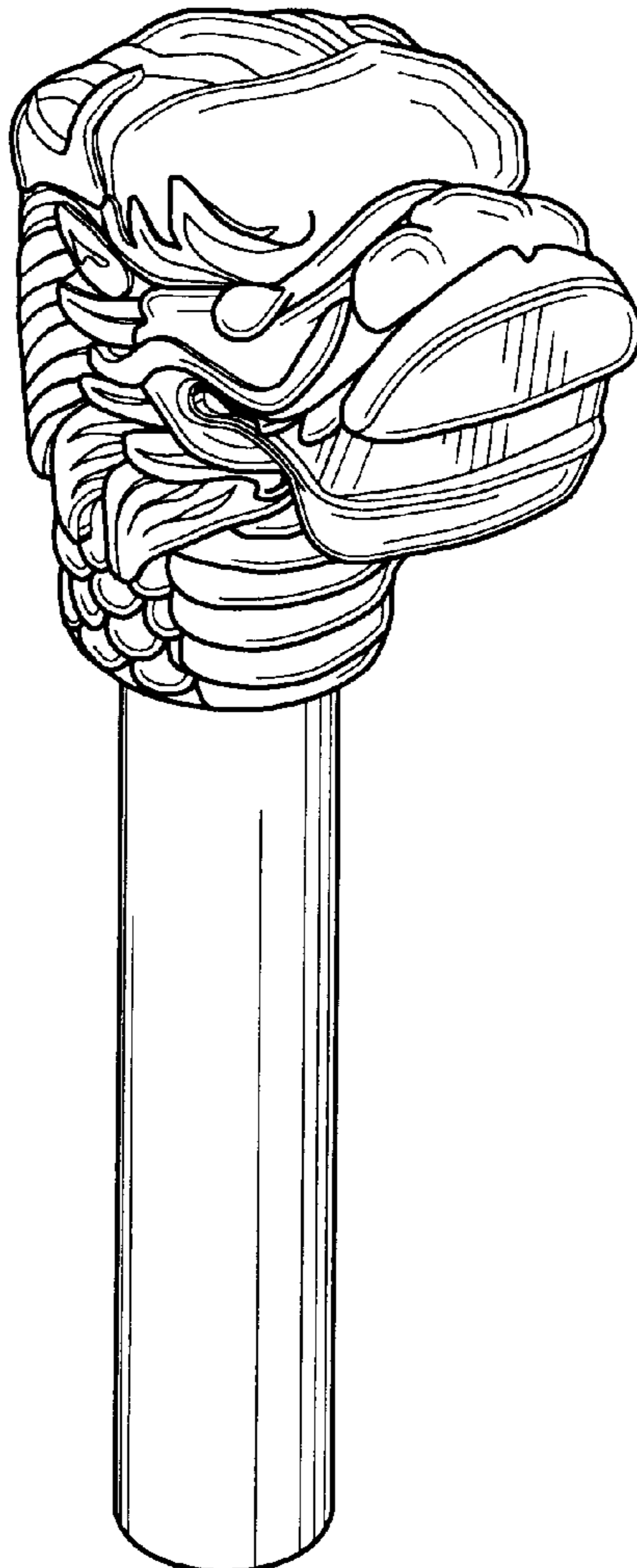
(57) **CLAIM**

The ornamental design for an automobile door lock knob, as shown and described.

**DESCRIPTION**

FIG. 1 is a perspective view of an automobile door lock knob showing my present design; FIG. 2 is a front view thereof; FIG. 3 is a rear view thereof; FIG. 4 is a left view thereof; FIG. 5 is a right view thereof; FIG. 6 is a top plan view thereof; and, FIG. 7 is a bottom plan view.

**1 Claim, 4 Drawing Sheets**



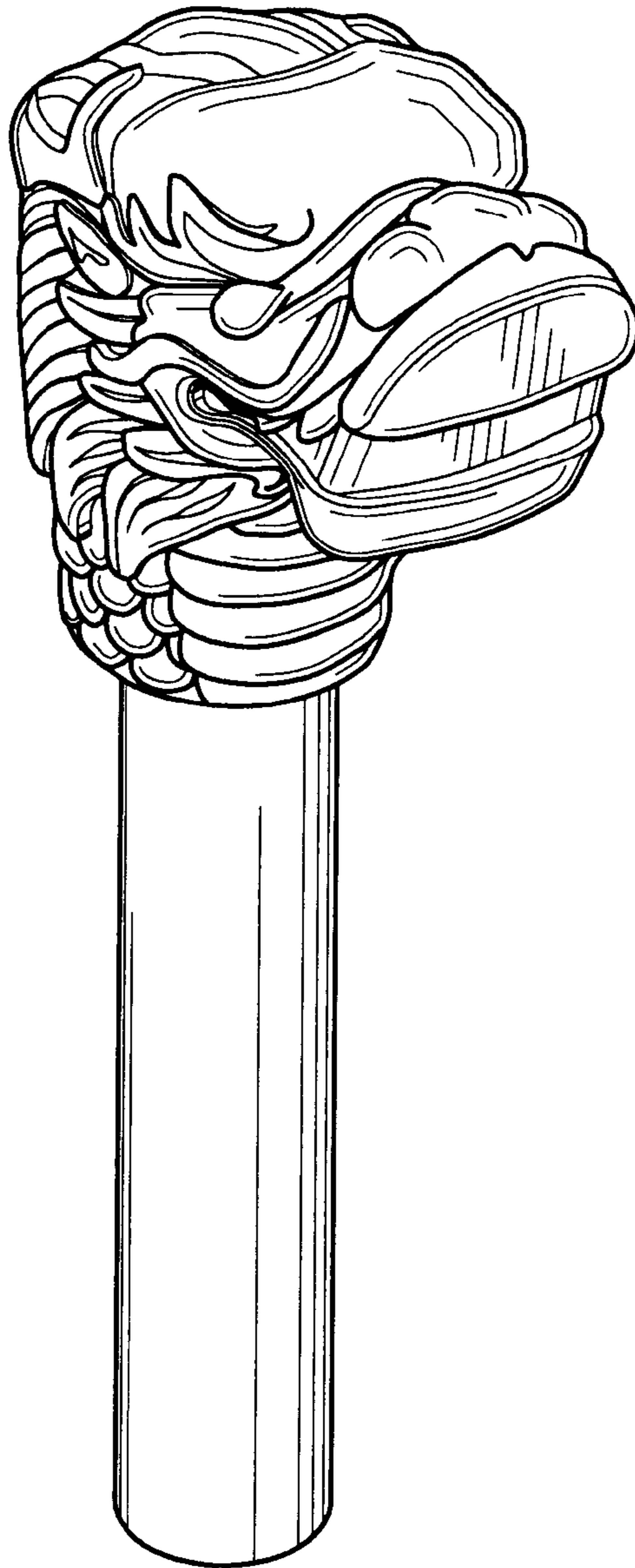


FIG. 1

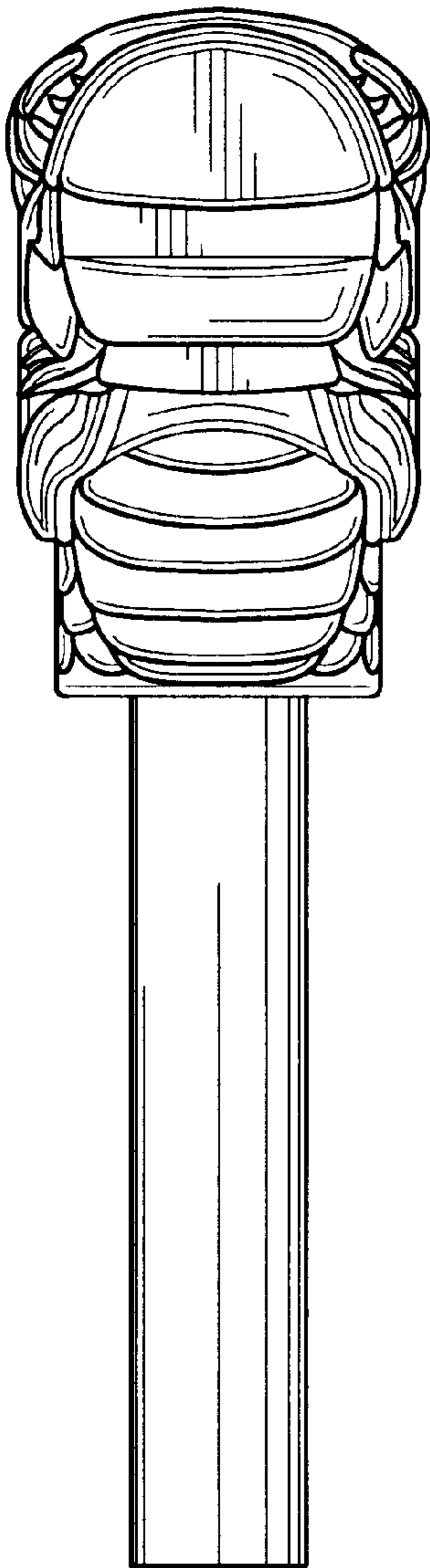


FIG. 2

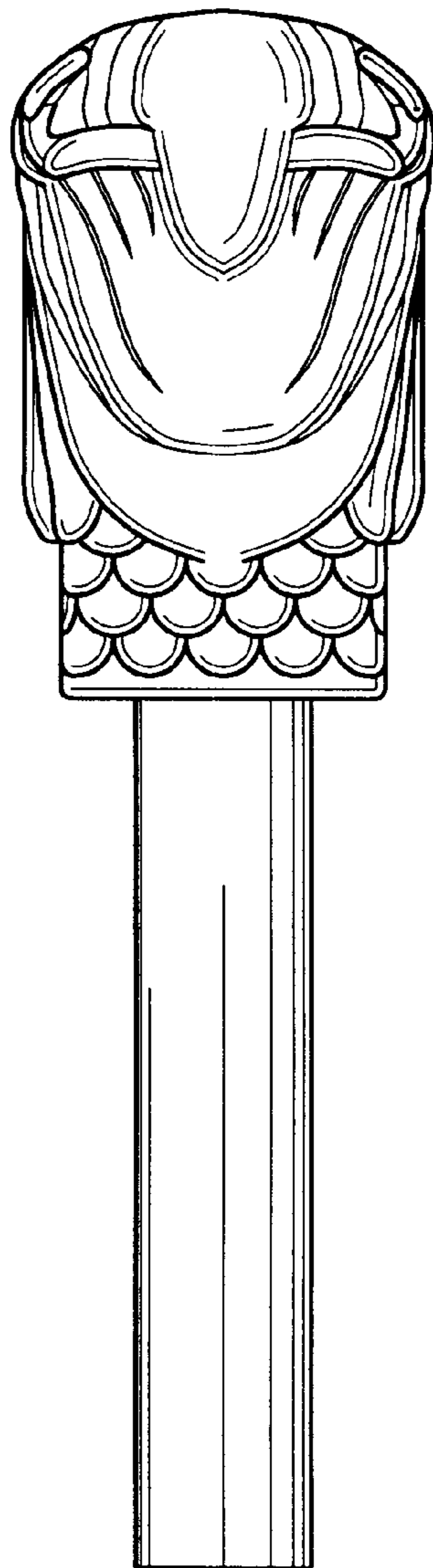


FIG. 3

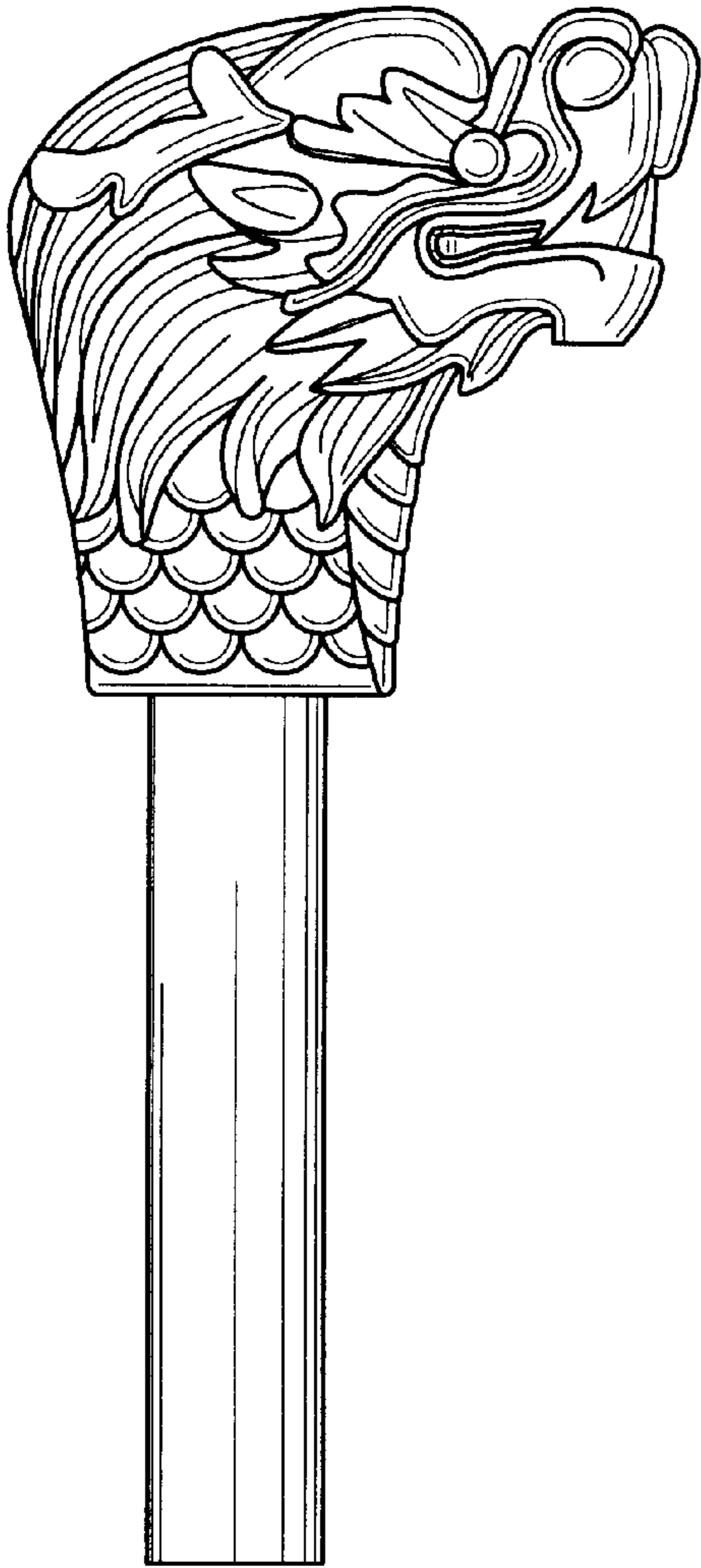


FIG. 4

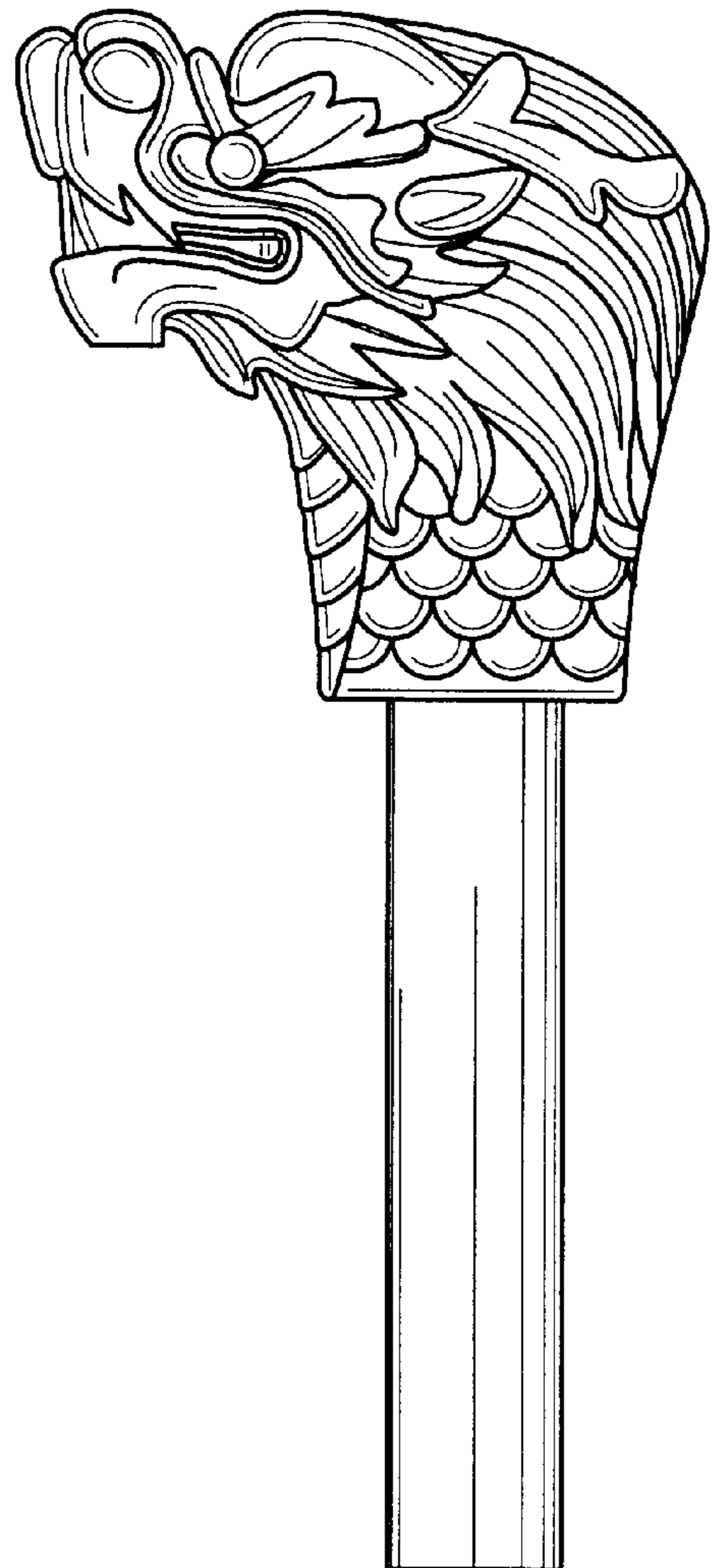


FIG. 5

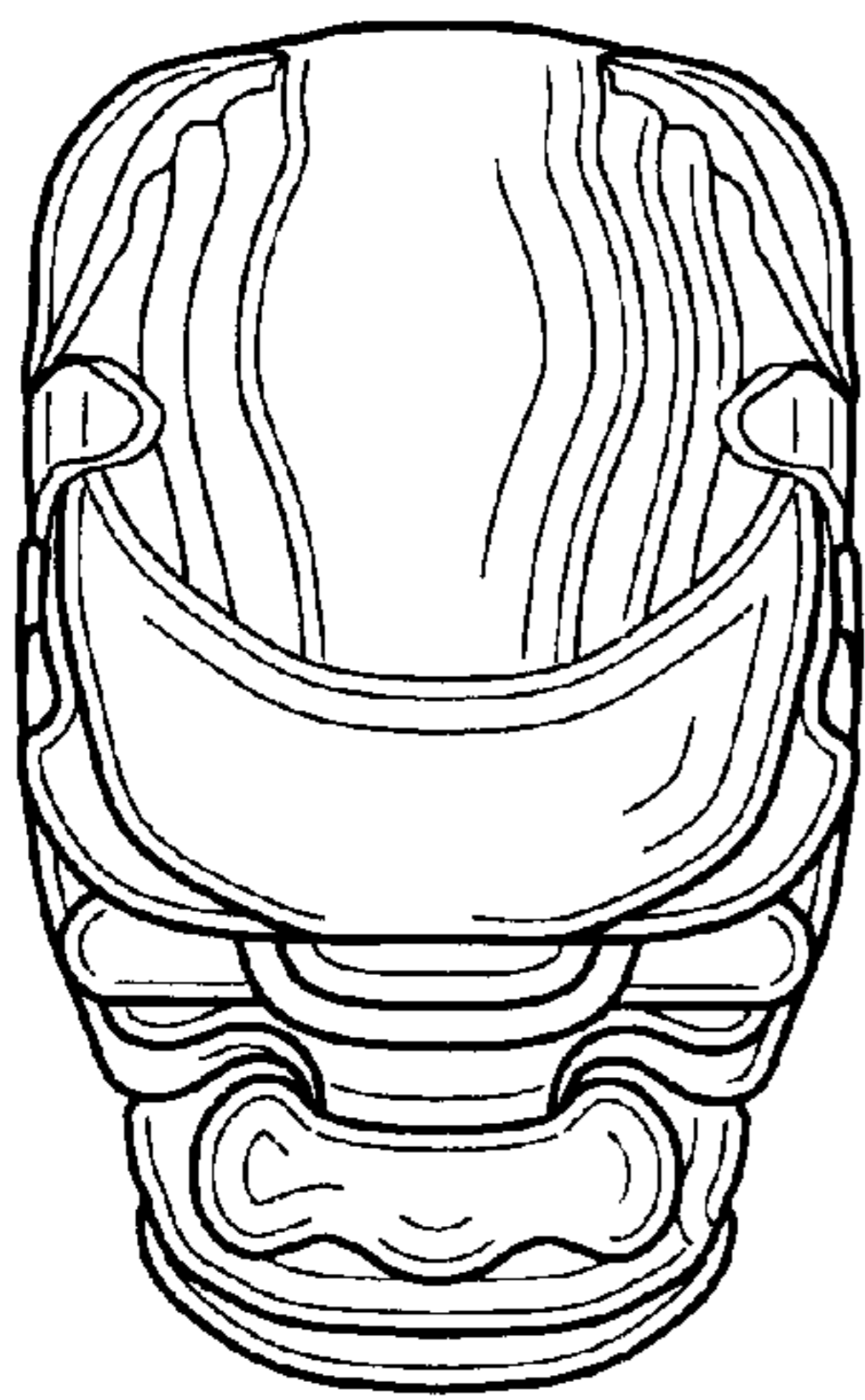


FIG. 6

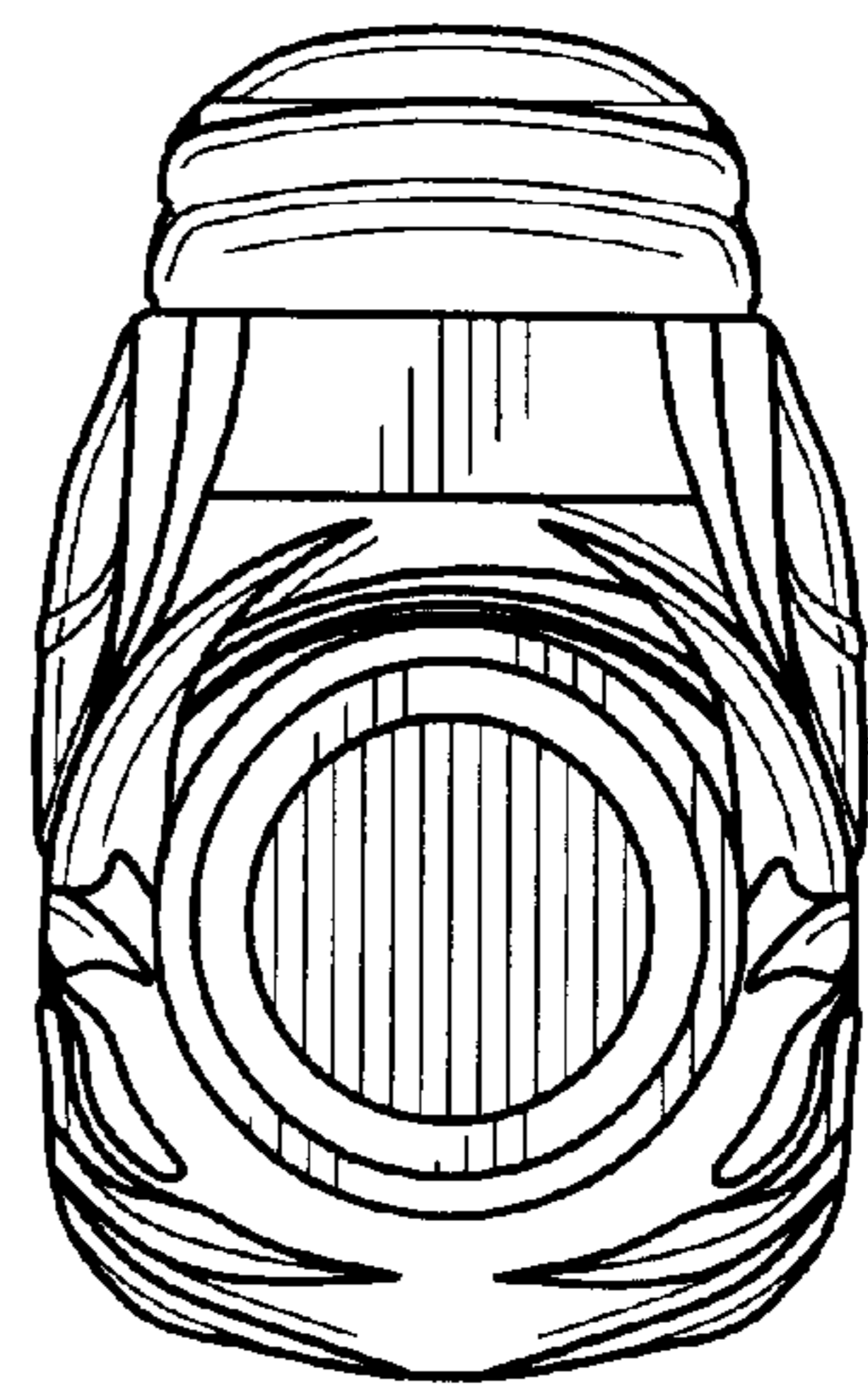


FIG. 7