



US00D468619S

(12) **United States Design Patent**
Nofziger et al.

(10) **Patent No.:** **US D468,619 S**

(45) **Date of Patent:** **** Jan. 14, 2003**

(54) **GARAGE DOOR HANDLE UNIT**

(75) Inventors: **Edward L. Nofziger**, Wauseon, OH (US); **Thomas S. Richter**, Wauseon, OH (US)

(73) Assignee: **Haas Door**, Wauseon, OH (US)

(**) Term: **14 Years**

(21) Appl. No.: **29/147,183**

(22) Filed: **Aug. 23, 2001**

(51) **LOC (7) Cl.** **08-06**

(52) **U.S. Cl.** **D8/301; D8/320**

(58) **Field of Search** **D8/300, 301, 315-320; D25/48, 49; 160/113, 117, 118, 191, 201; 16/110.1, 412, 901, 440, DIG. 1, 430; 49/460, 199, 200, 203, 205**

(56) **References Cited**

U.S. PATENT DOCUMENTS

- 2,042,158 A * 5/1936 McKinney
- 2,728,862 A * 12/1955 Marjama
- 2,883,182 A * 4/1959 Bornemann
- 3,186,038 A * 6/1965 Bear
- 3,693,693 A * 9/1972 Court

* cited by examiner

Primary Examiner—B. J. Bullock

(74) *Attorney, Agent, or Firm*—Emch, Schaffer, Schaub & Porcello Co., L.P.A.

(57) **CLAIM**

The ornamental design for a garage door handle unit, as shown and described.

DESCRIPTION

FIG. 1 is a front elevational view of the hand member of the garage door opener unit according to the present design, shown separately for ease of illustration;

FIG. 2 is a top view of the hand member of the garage door handle unit according to the present design;

FIG. 3 is a side elevational view of the hand member of the garage door handle unit according to the present design; the other side elevational view being a mirror image thereof;

FIG. 4 is a rear elevational view of the hand member of the garage door handle unit according to the present design;

FIG. 5 is a top view of the step member of the garage door handle unit according to the present design;

FIG. 6 is a front elevational view of the step member of the garage door opener unit according to the present design, shown separately for ease of illustration;

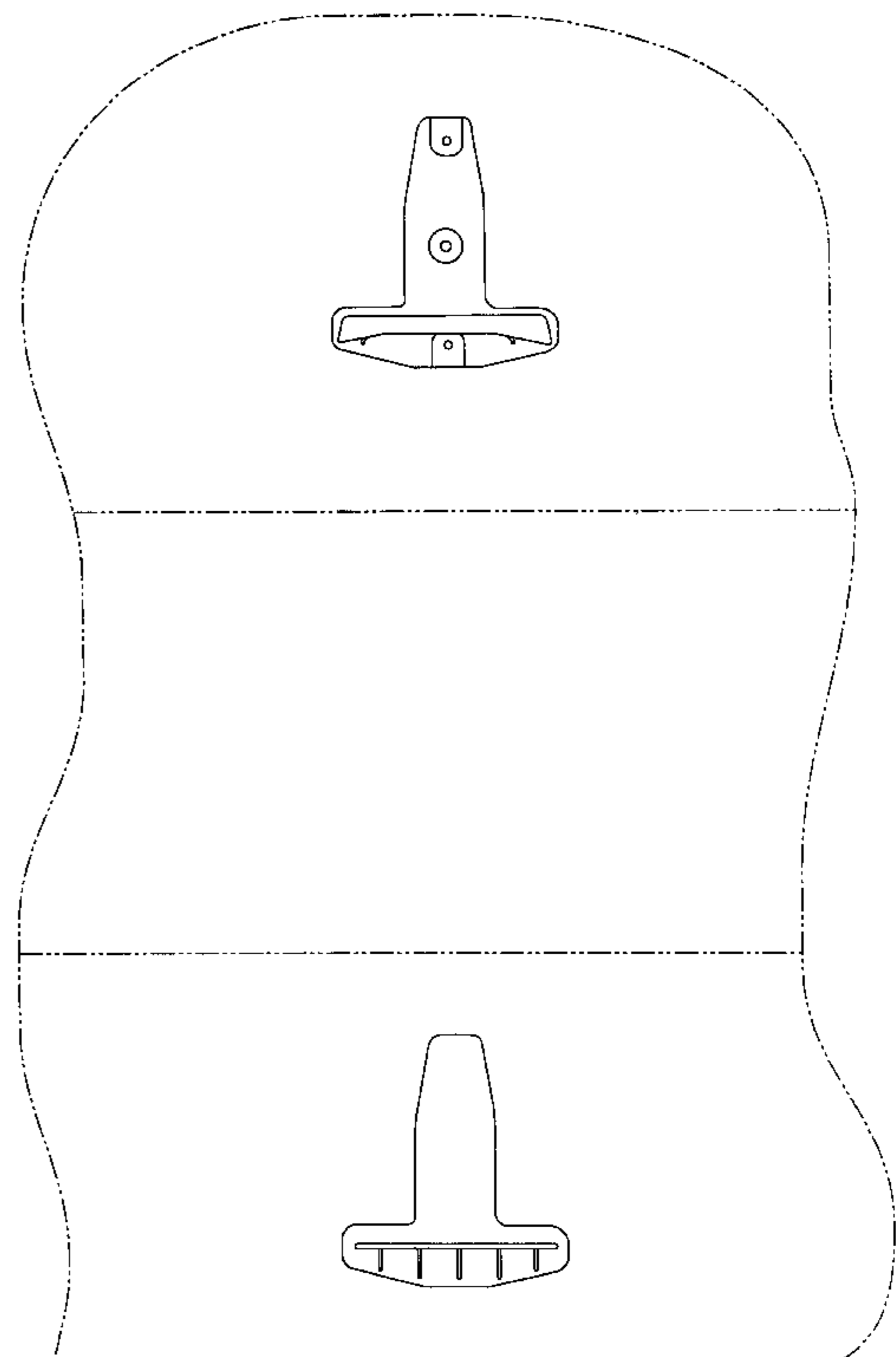
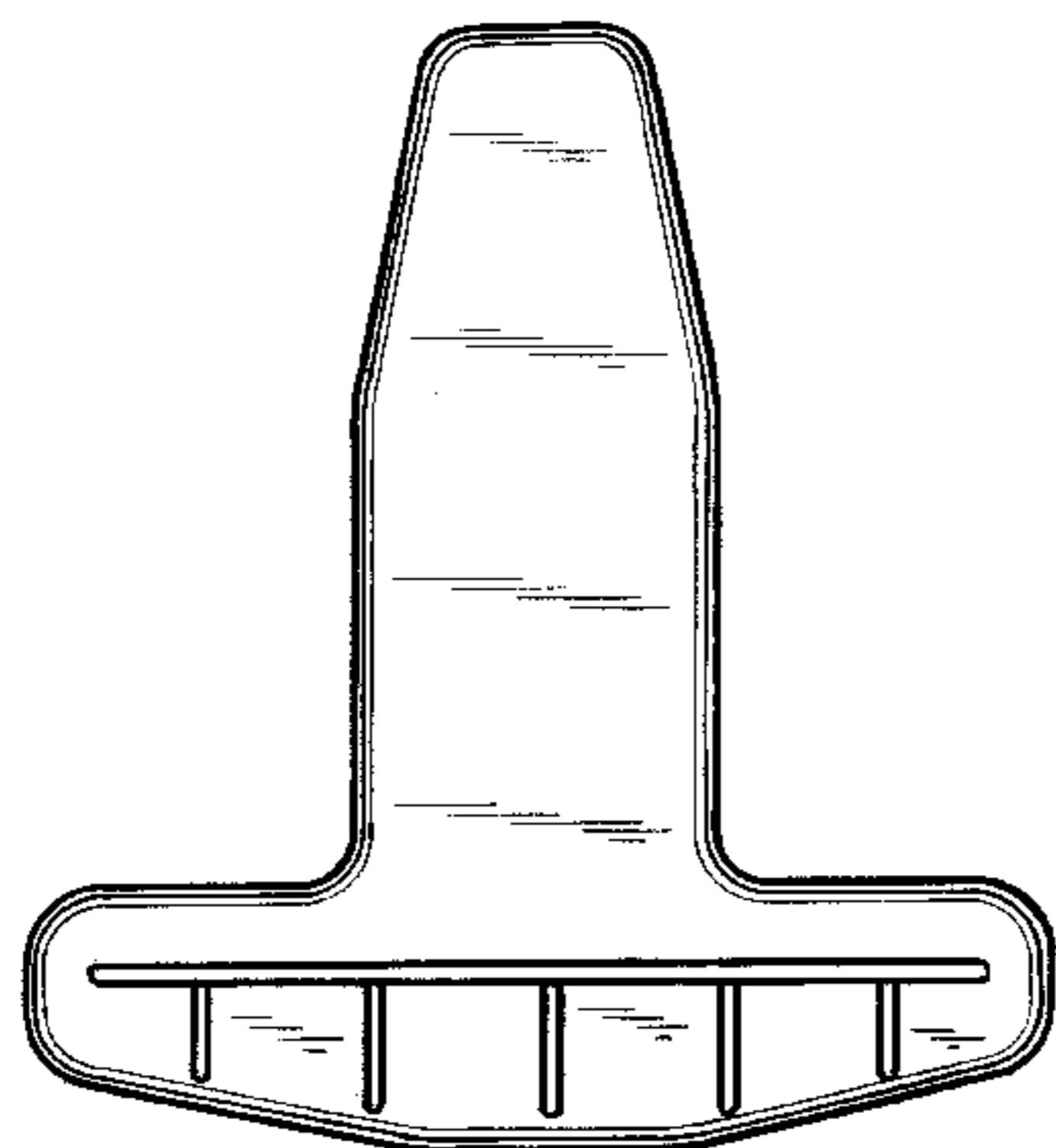
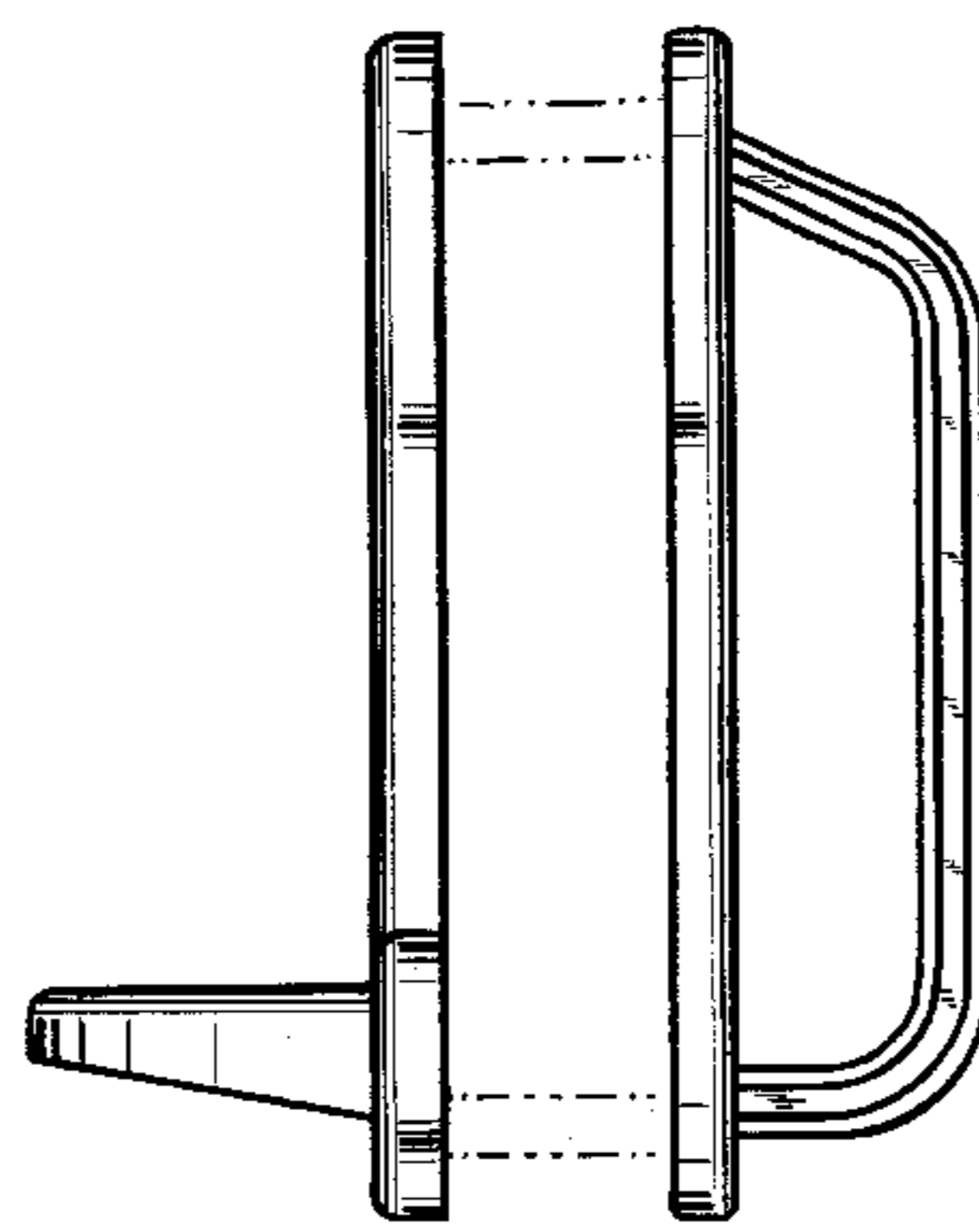
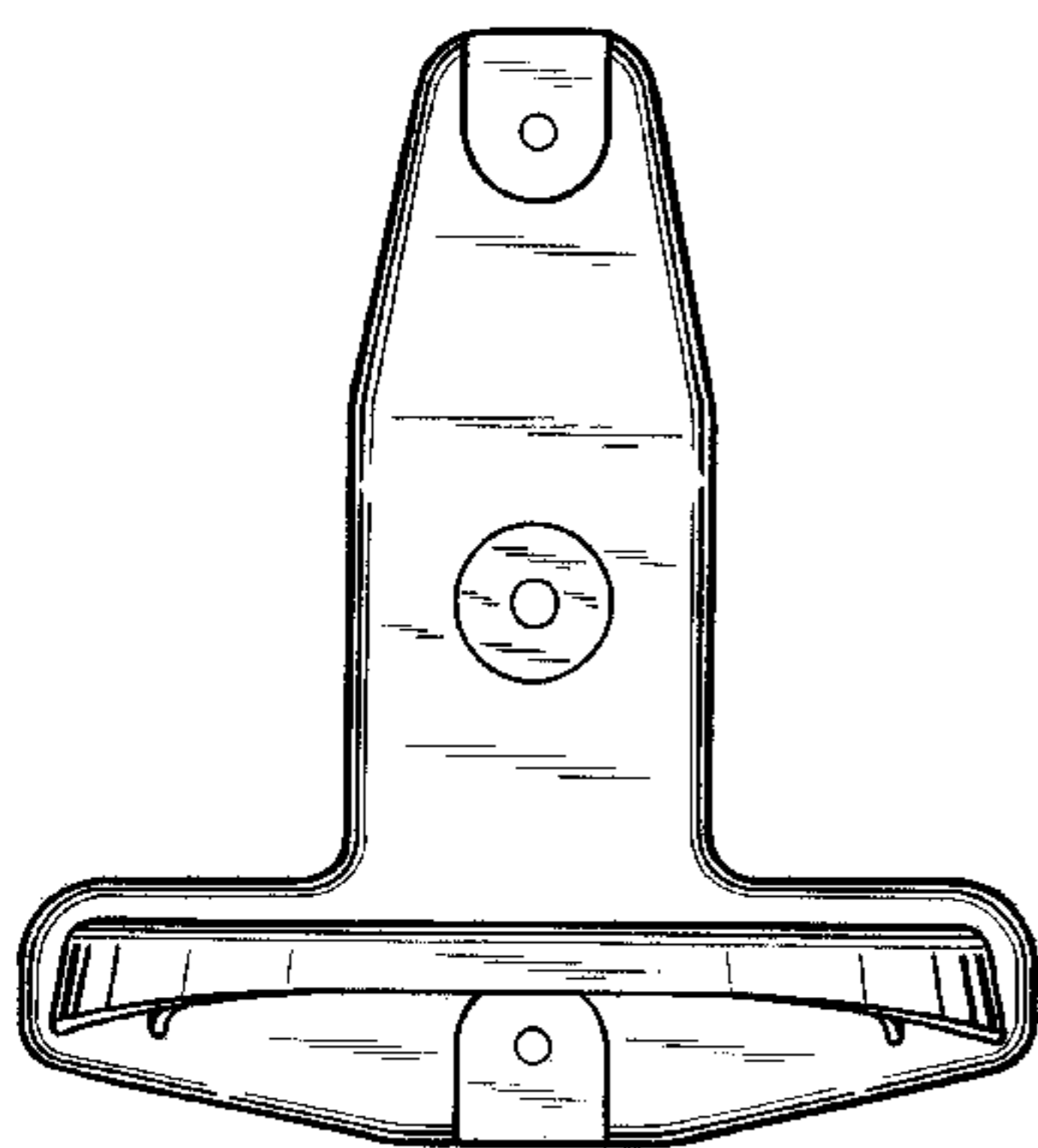
FIG. 7 is a side elevational view of the step member of the garage door handle unit according to the present design; the other side elevational view being a mirror image thereof;

FIG. 8 is a bottom view of the step member of the garage door handle unit according to the present design; and,

FIG. 9 is a reduced front elevational view of the garage door opener unit of the present design as positioned on a garage door.

The broken lines of FIGS. 2, 3, 5 and 7-9 are illustrative of environmental structure only and form no part of the claimed design.

1 Claim, 6 Drawing Sheets



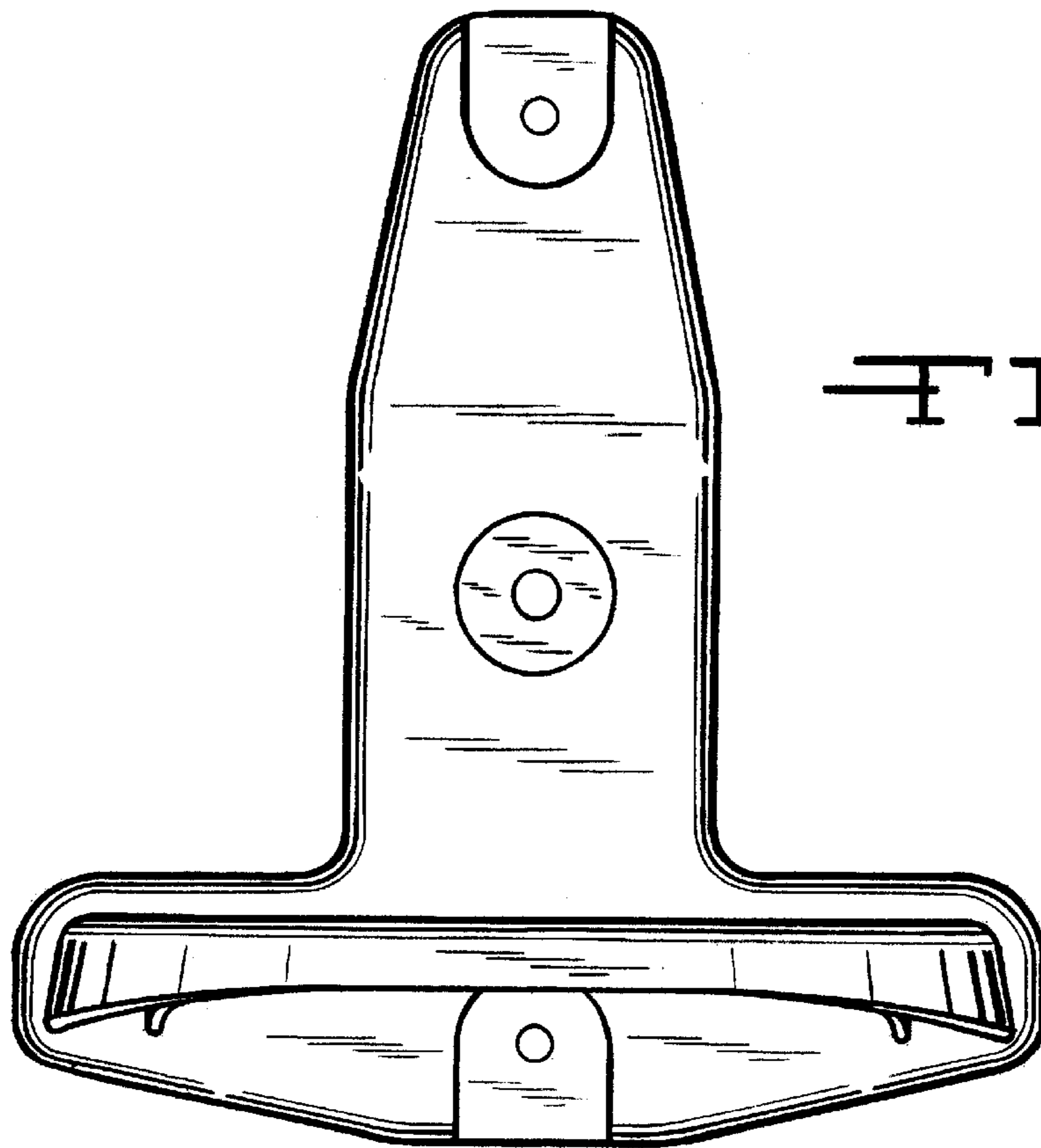


FIG. 1

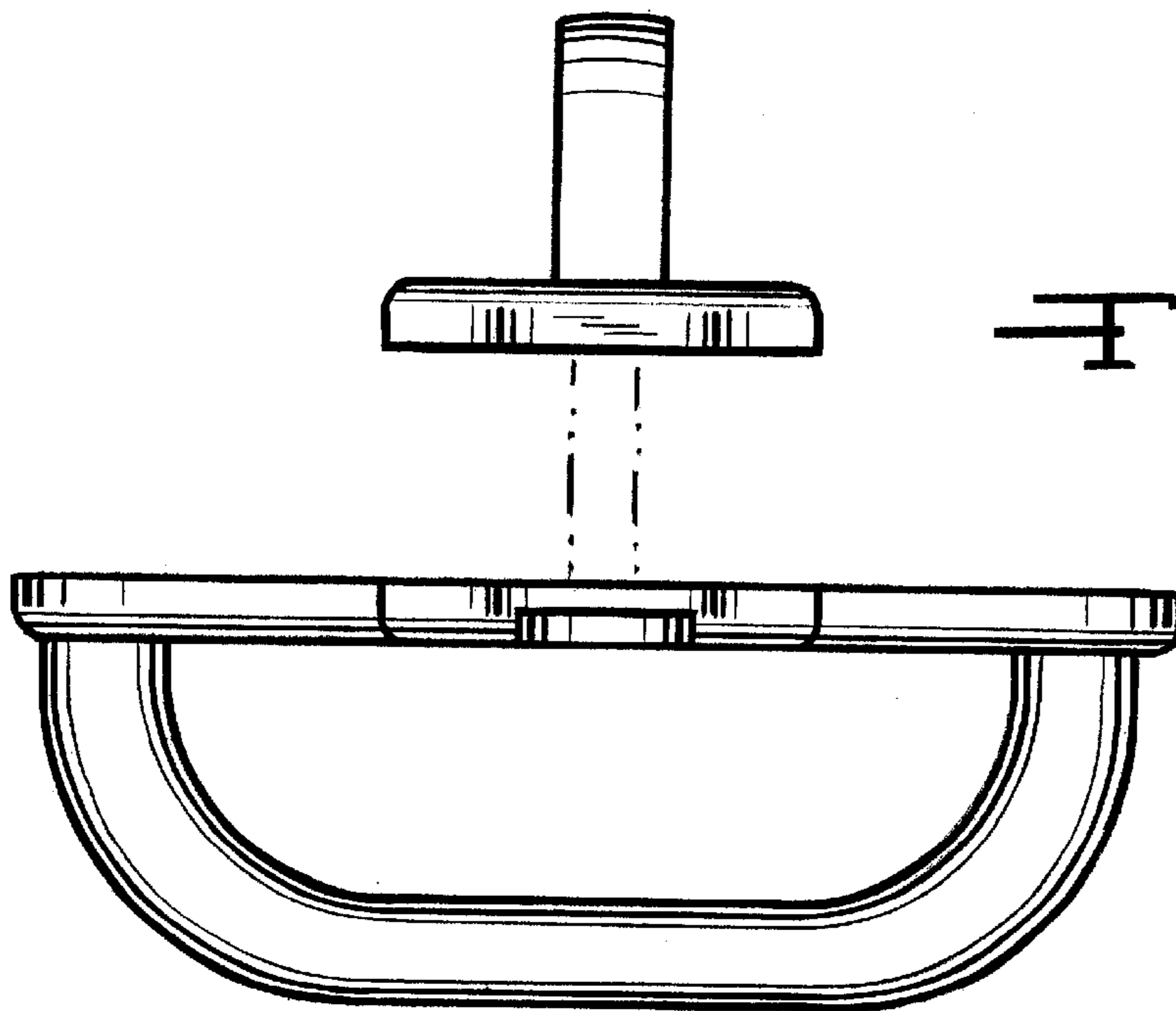


FIG. 2

FIG. 3

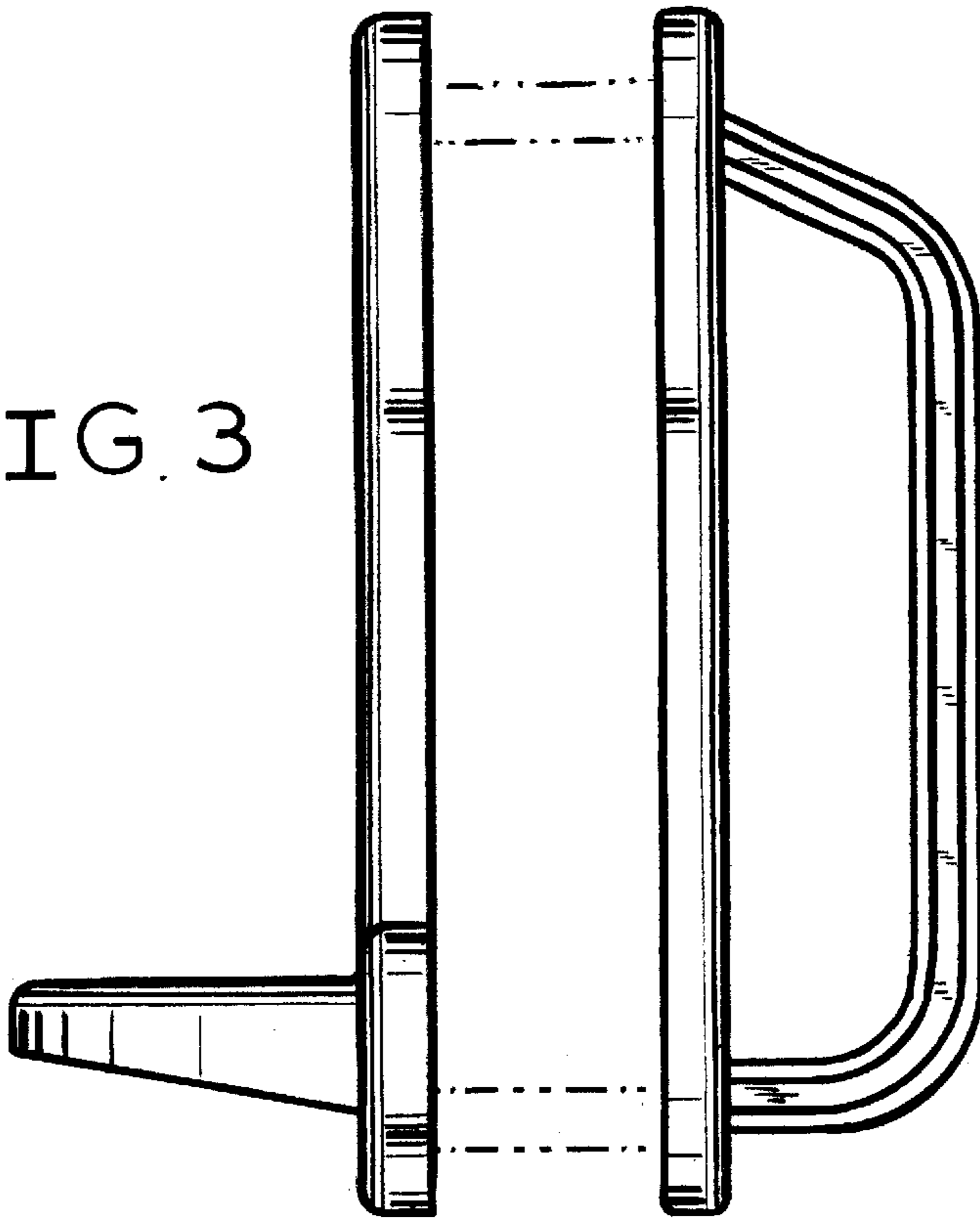


FIG. 4

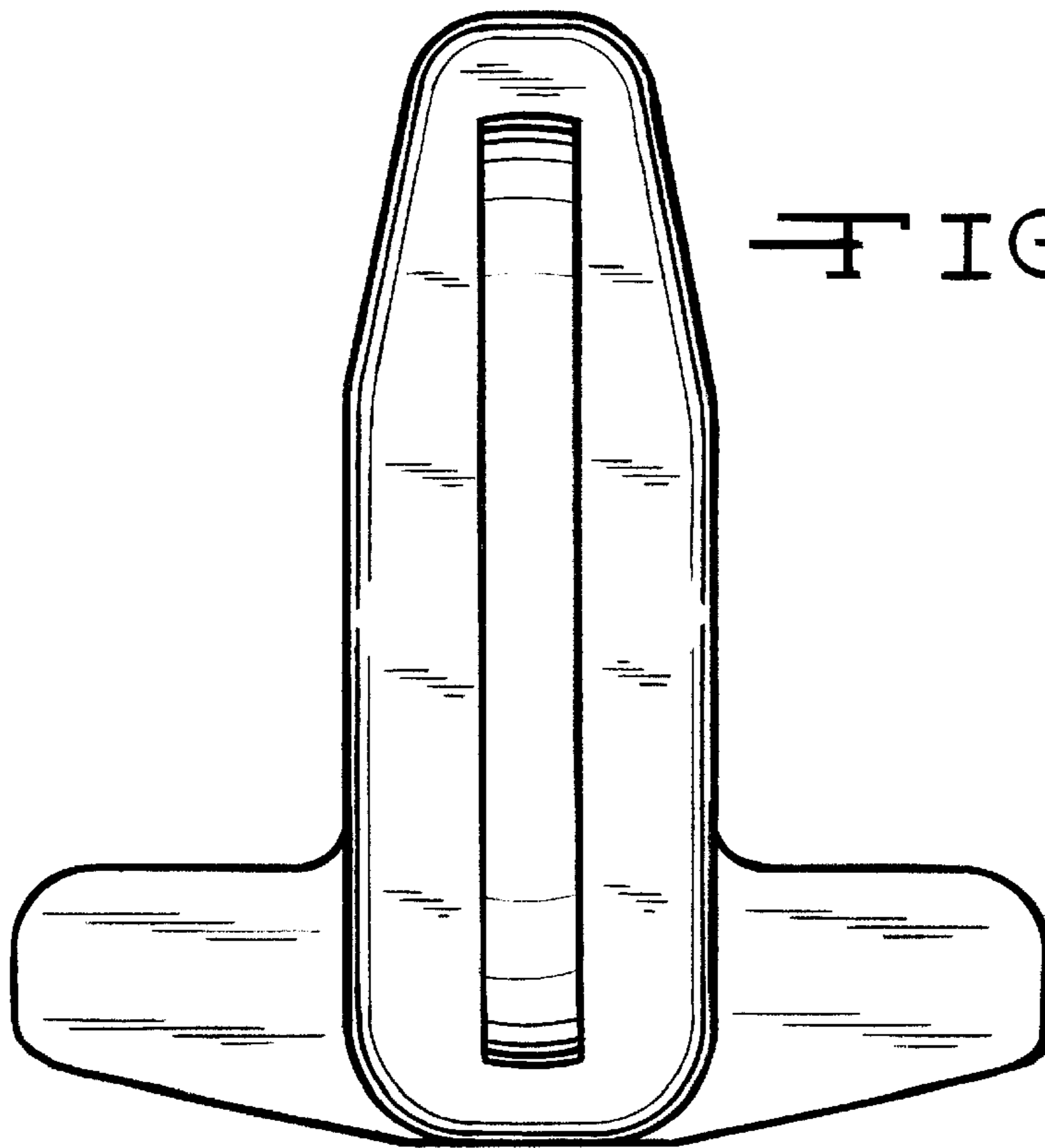
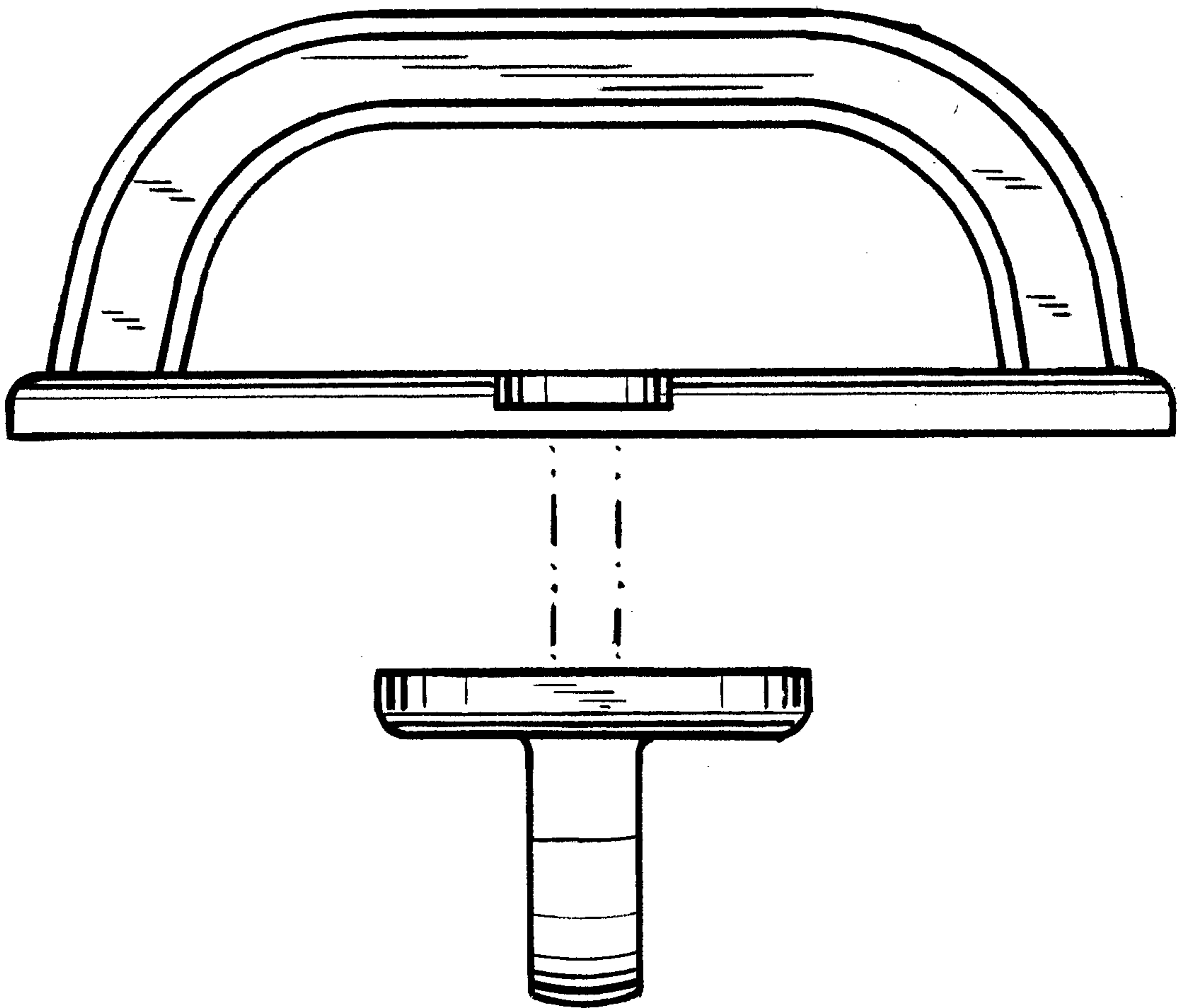


FIG. 5



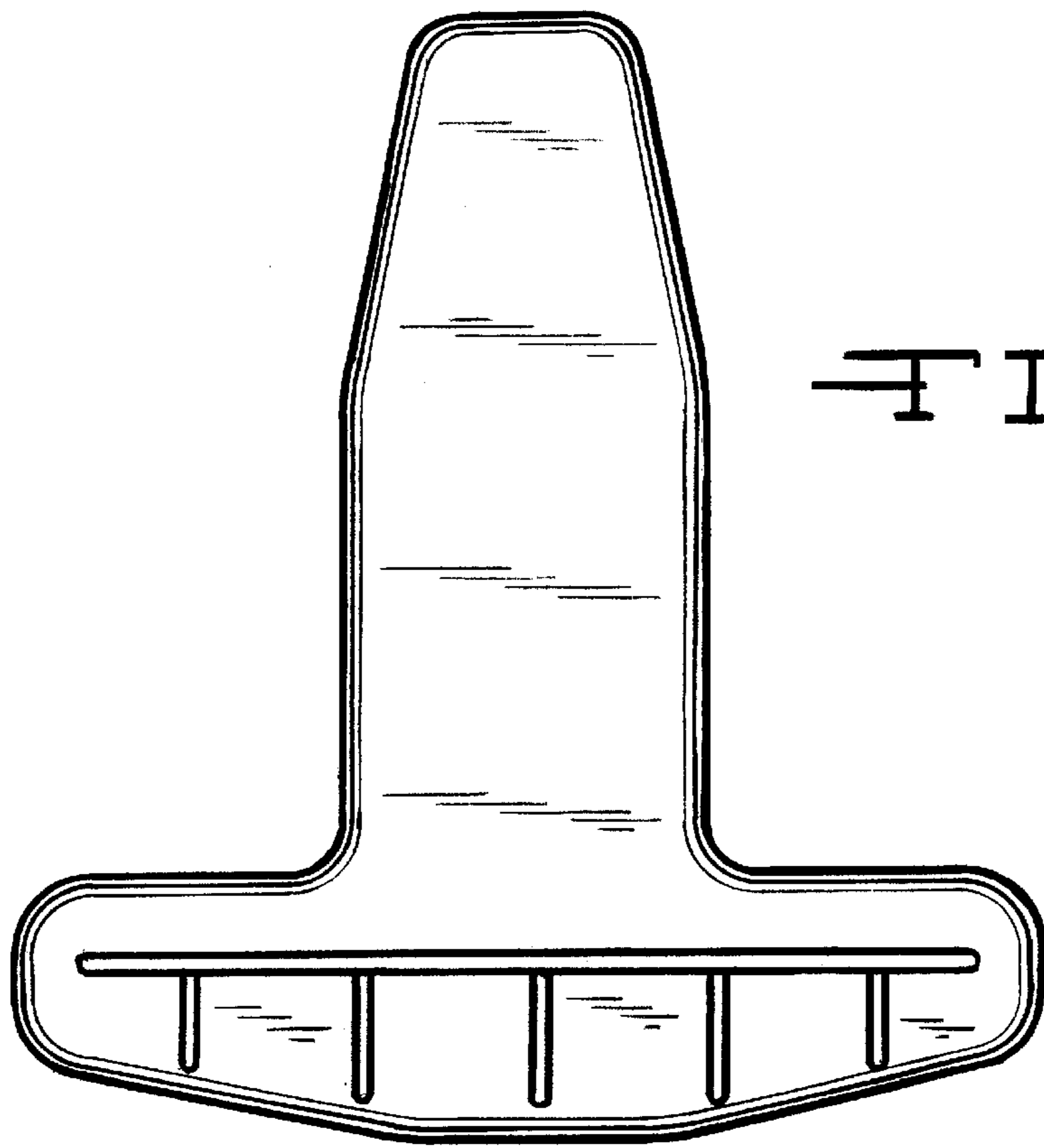


FIG. 6

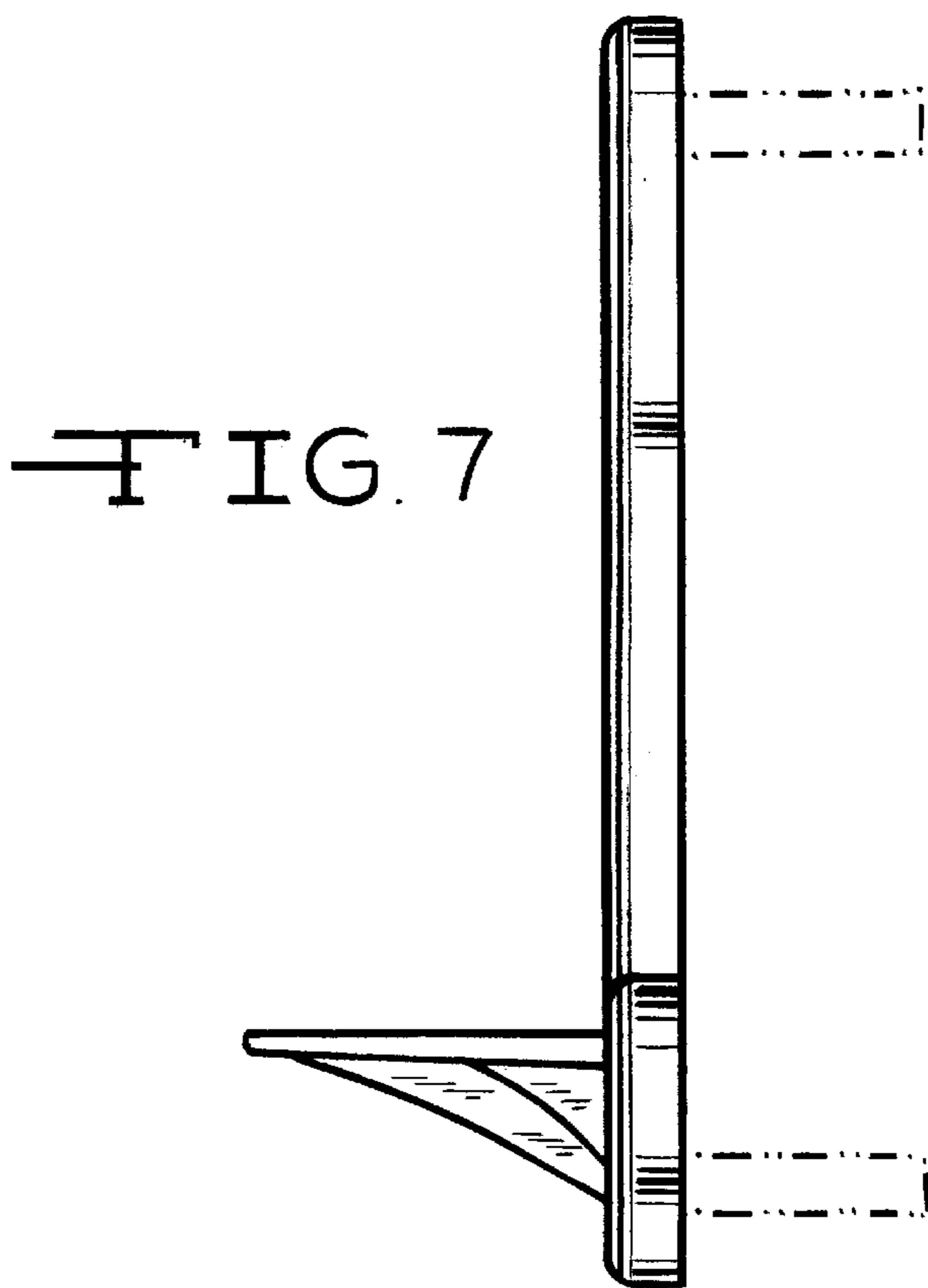


FIG. 7

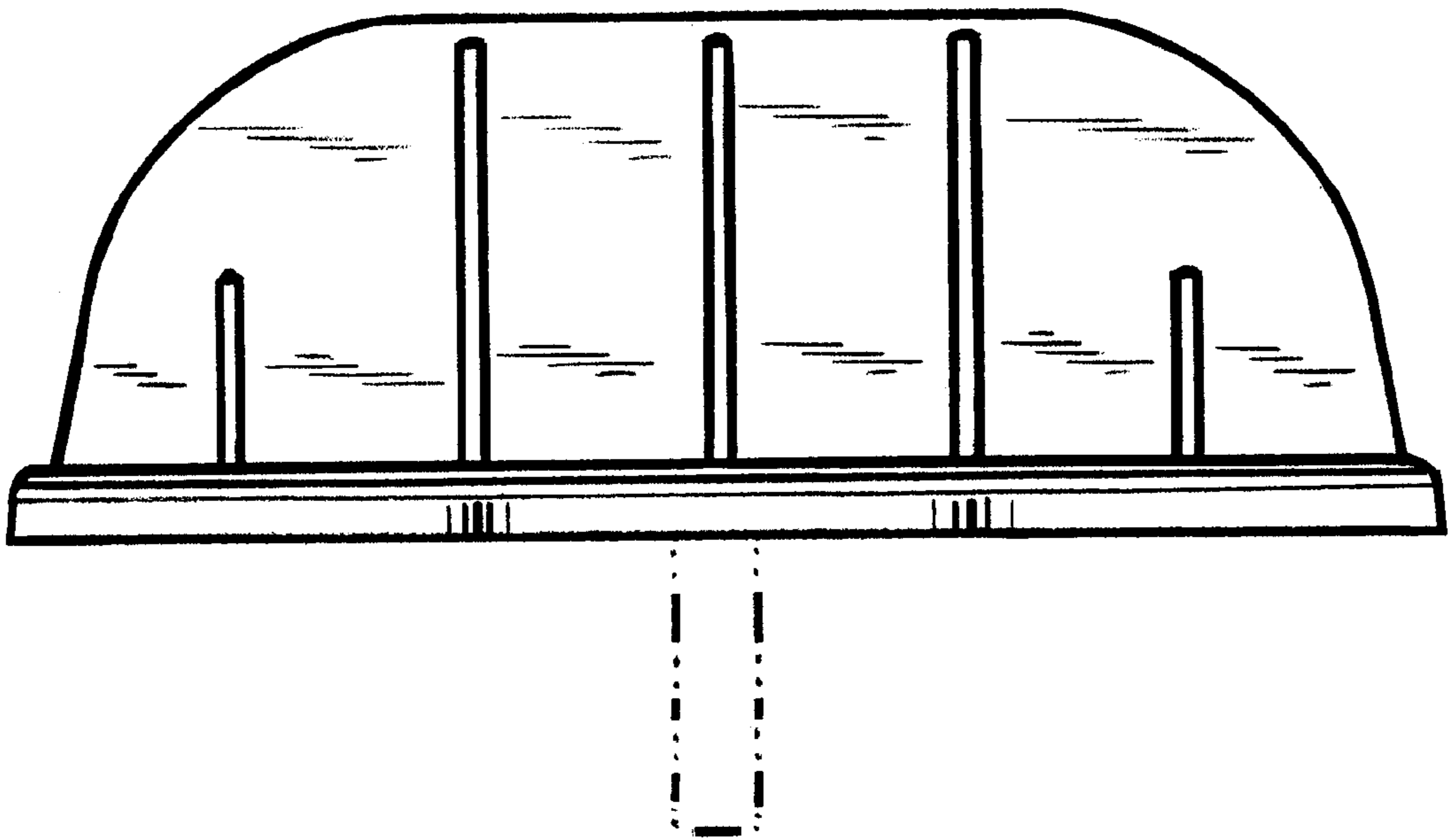
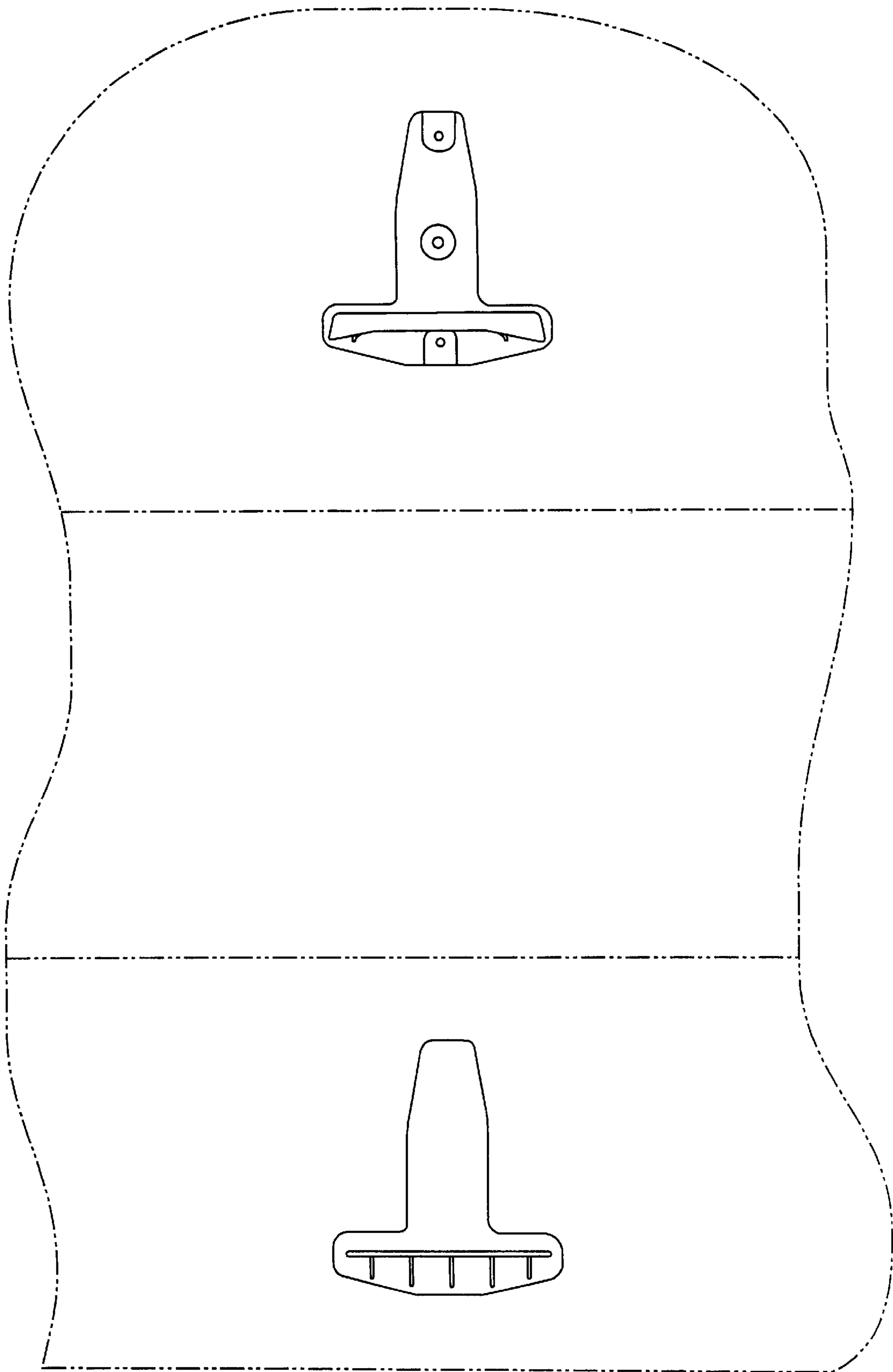


FIG. 8



—FIG. 9