



US00D468615S

(12) **United States Design Patent**  
**Kanzawa**

(10) **Patent No.:** **US D468,615 S**

(45) **Date of Patent:** **\*\* Jan. 14, 2003**

(54) **HANDLE FOR FOLDING SAW**

(75) **Inventor:** **Kuniyuki Kanzawa, Miki (JP)**

(73) **Assignee:** **Kanzawa Seiko Co., Ltd., Hyogo (JP)**

(\*\*) **Term:** **14 Years**

(21) **Appl. No.:** **29/142,304**

(22) **Filed:** **May 23, 2001**

(30) **Foreign Application Priority Data**

Nov. 24, 2000 (JP) ..... 2000-033538

(51) **LOC (7) Cl. .... 08-03**

(52) **U.S. Cl. .... D8/97; D8/107**

(58) **Field of Search .... D8/95, 96, 97,  
D8/98, 99, 107; 30/166.3, 155, 509, 514**

(56) **References Cited**

**U.S. PATENT DOCUMENTS**

- D251,963 S \* 5/1979 Breger ..... D8/97
- D299,413 S \* 1/1989 DeCarolis ..... D8/107
- D306,817 S \* 3/1990 McMorrough ..... D8/107
- D307,383 S \* 4/1990 Huang ..... D8/107

- D307,702 S \* 5/1990 Hsu ..... D8/107
- D341,761 S \* 11/1993 Weimann ..... D8/97
- D357,166 S \* 4/1995 Concari ..... D8/107
- D397,281 S \* 8/1998 Hsu et al. .... D8/95
- D411,429 S \* 6/1999 Gringer ..... D8/95
- D429,137 S \* 8/2000 Eriksson et al. .... D8/95
- D440,855 S \* 4/2001 Wang ..... D8/107

\* cited by examiner

*Primary Examiner*—Philip S. Hyder

(74) *Attorney, Agent, or Firm*—Koda & Androlia

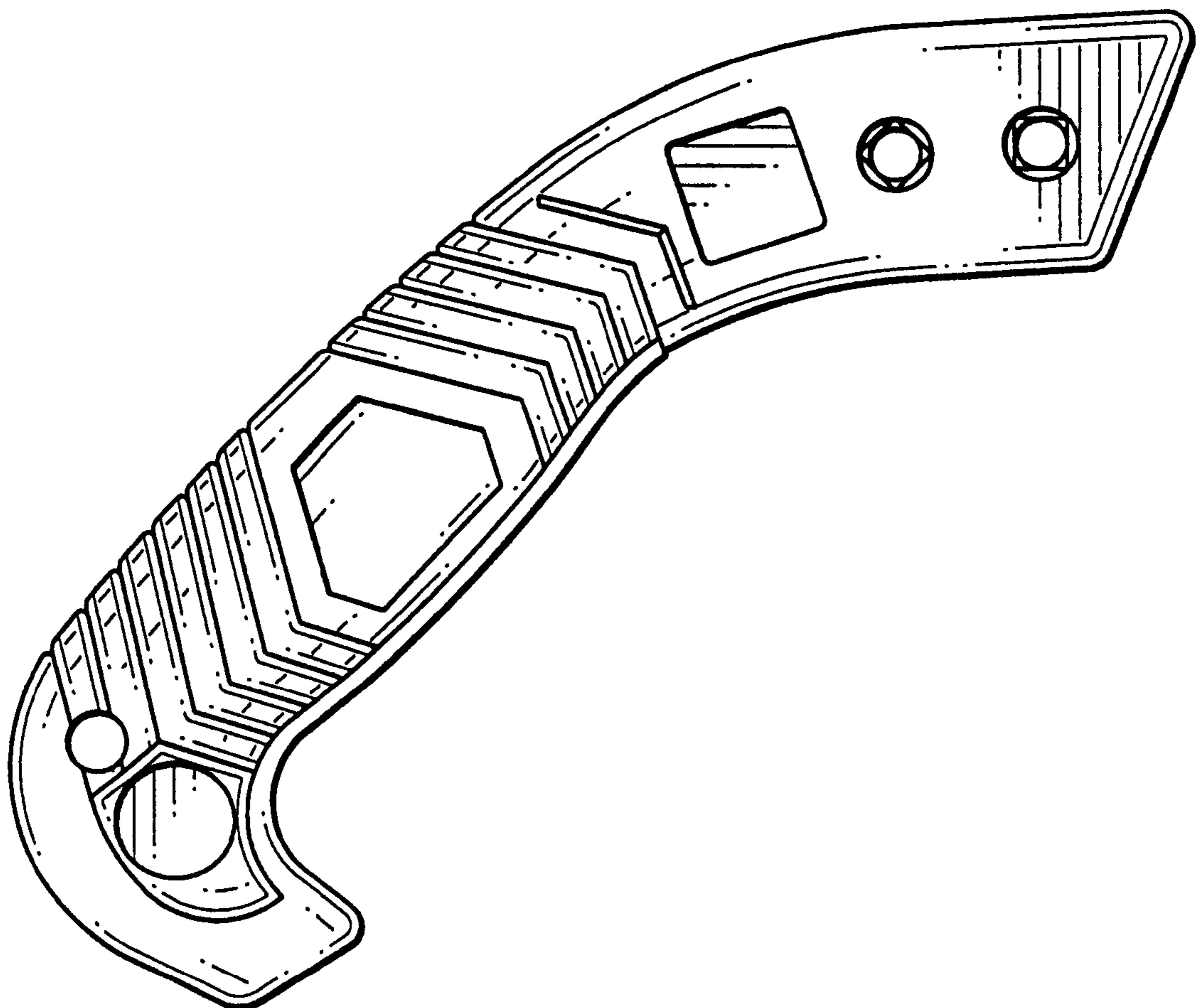
(57) **CLAIM**

The ornamental design for a handle for folding saw, as shown and described.

**DESCRIPTION**

FIG. 1 is a front elevational view of the handle for folding saw showing my new design;  
 FIG. 2 is a rear elevational view thereof;  
 FIG. 3 is a top plan view thereof;  
 FIG. 4 is a bottom plan view thereof;  
 FIG. 5 is a right side elevational view thereof; and,  
 FIG. 6 is a left side elevational view thereof.

**1 Claim, 3 Drawing Sheets**



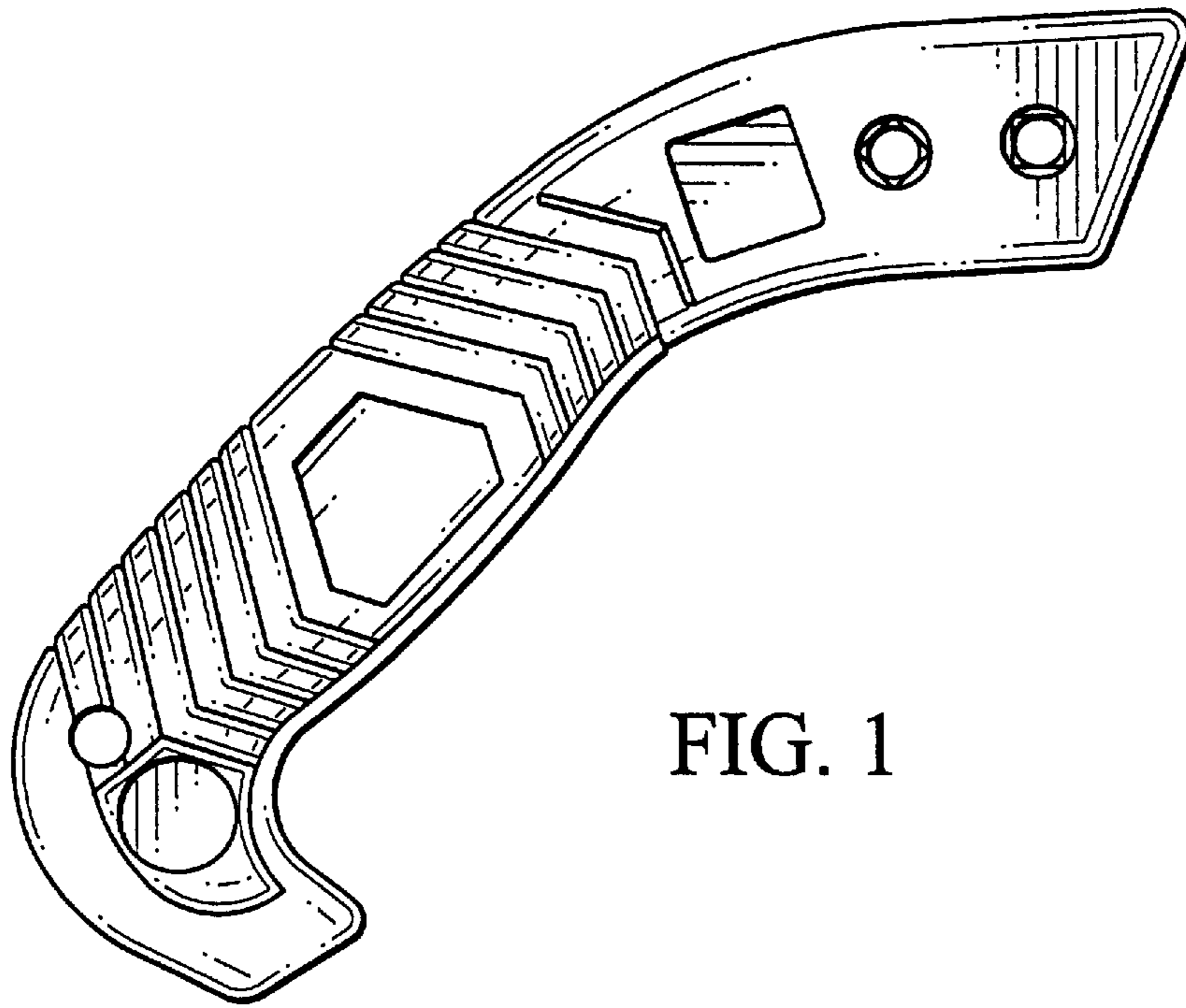


FIG. 1

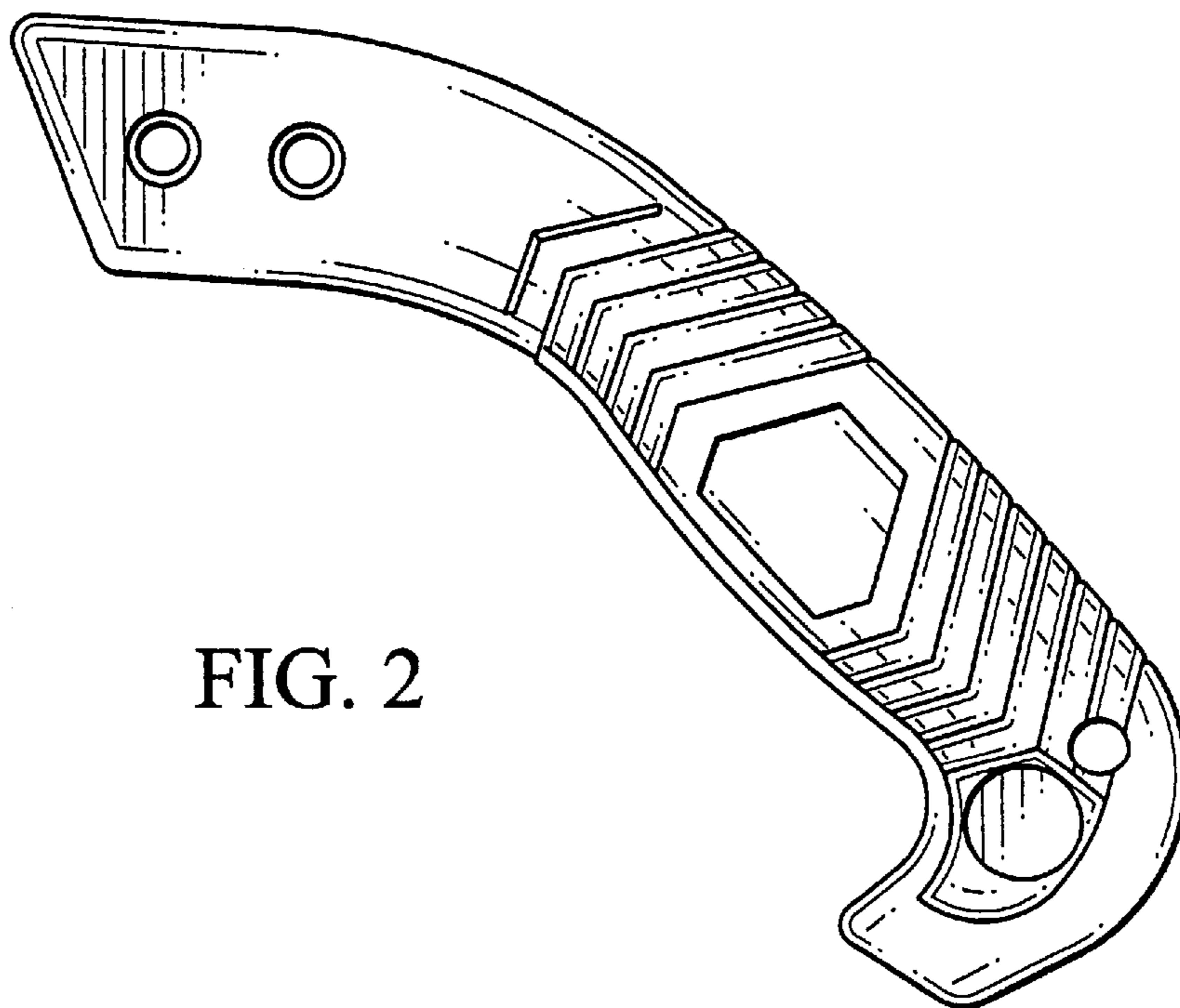


FIG. 2

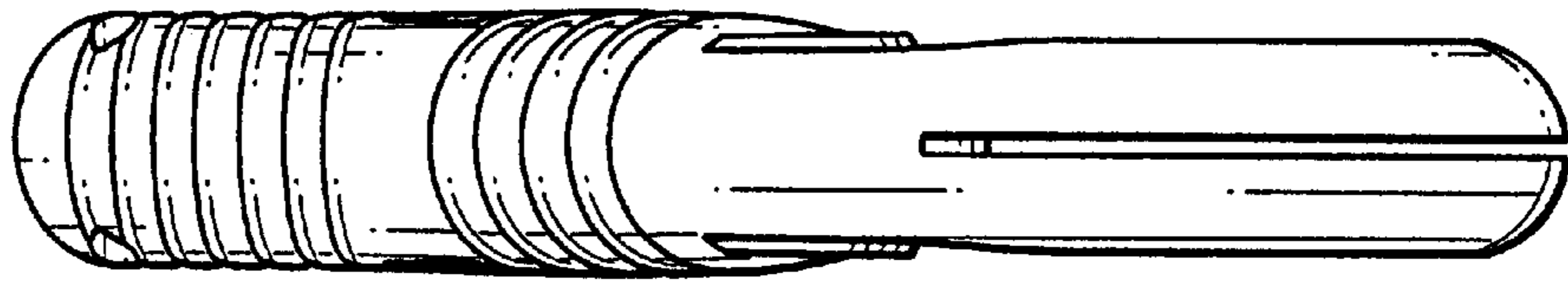


FIG. 3

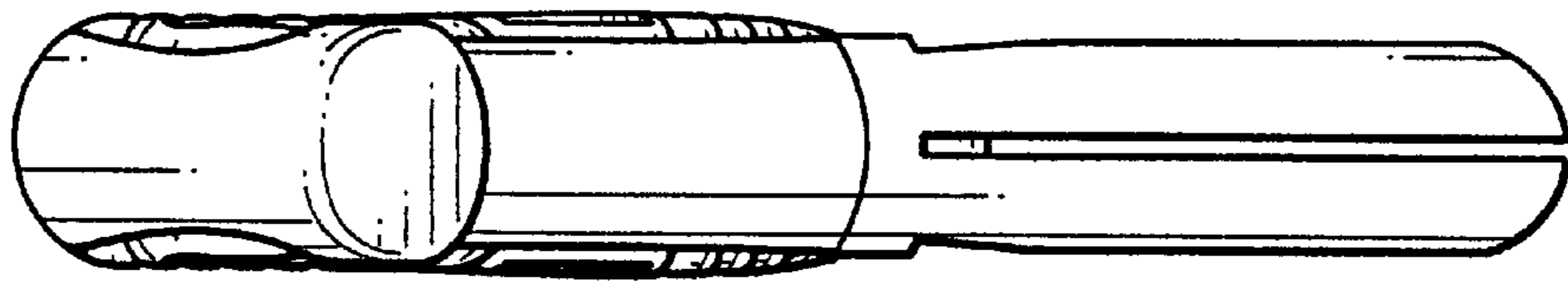


FIG. 4



FIG. 5

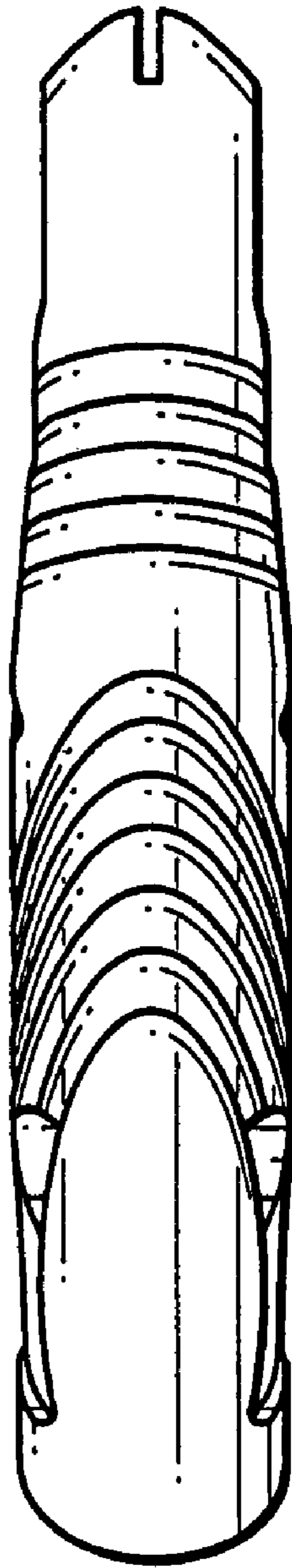


FIG. 6